



**Warning:** filectime(): stat failed for /var/www/vhost/www.omal.it/htdocs/https://www.omal.it./FilesProdotti/Certificate-212198201-OMAL-ValvoleserieHercules.pdf in /var/www/vhost/www.omal.it/htdocs/prodotto-printable.php on line 65

**Warning:** filectime(): stat failed for /var/www/vhost/www.omal.it/htdocs/https://www.omal.it./FilesProdotti/RICEVUTADEPOSITOF.T.ATEXN.VS-19.pdf in /var/www/vhost/www.omal.it/htdocs/prodotto-printable.php on line 65

**Warning:** filectime(): stat failed for /var/www/vhost/www.omal.it/htdocs/https://www.omal.it./FilesProdotti/80486-ValvoleasferaATEX-IT-EN.pdf in /var/www/vhost/www.omal.it/htdocs/prodotto-printable.php on line 65

**Warning:** filectime(): stat failed for /var/www/vhost/www.omal.it/htdocs/https://www.omal.it./FilesProdotti/UMAH1000-IT-01-21.pdf in /var/www/vhost/www.omal.it/htdocs/prodotto-printable.php on line 65

**Warning:** filectime(): stat failed for /var/www/vhost/www.omal.it/htdocs/https://www.omal.it./FilesProdotti/81095-Hercules-IT-EN-0522.pdf in /var/www/vhost/www.omal.it/htdocs/prodotto-printable.php on line 65

## HERCULES for non self-lubricating media carbon steel ball valve

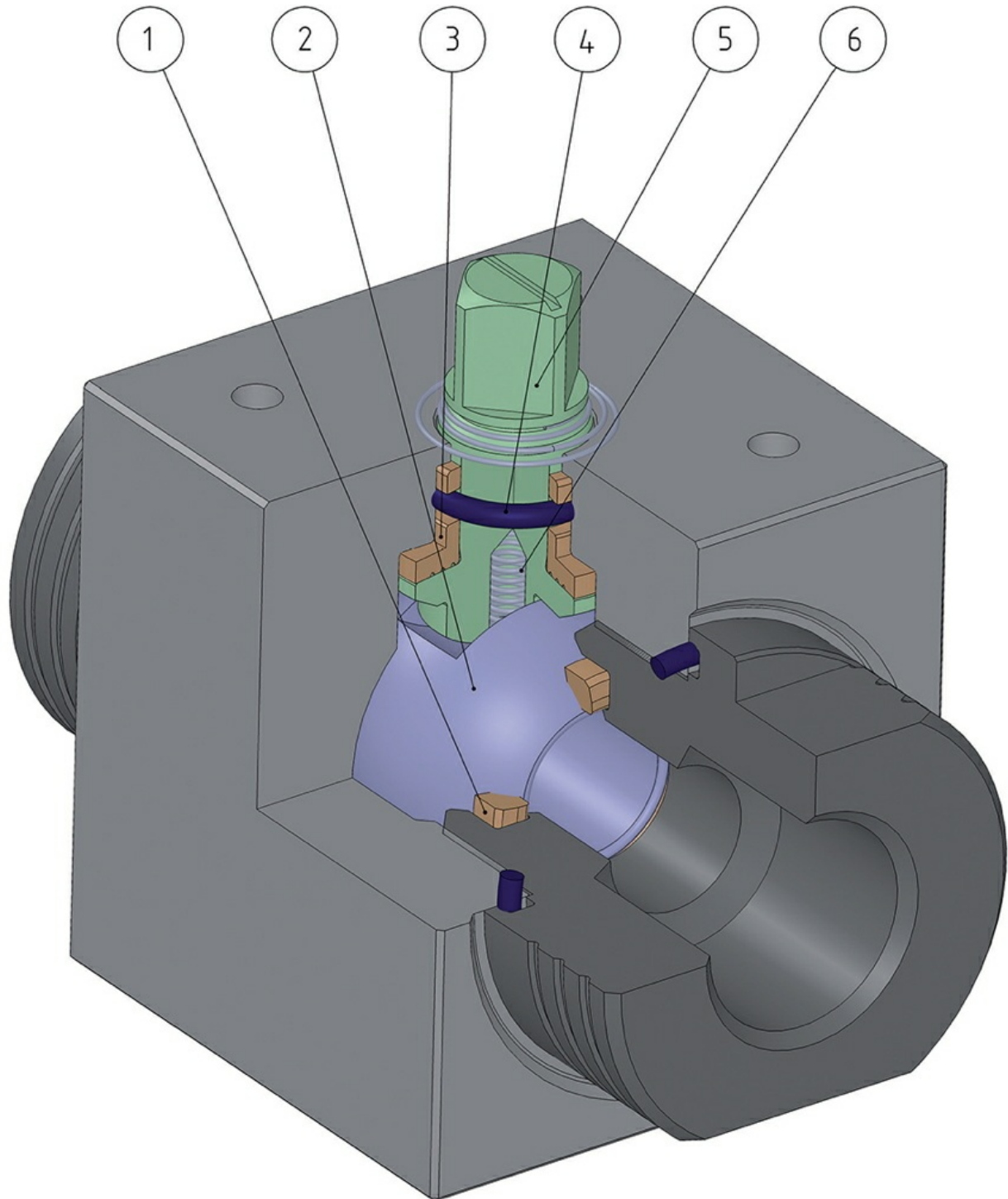


Macro Ball valves

Category HERCULES

Subcategory HERCULES for non self-lubricating media

benefits





**1. Seat in "LUBROSEAT"**

Acetal resin compound containing self-lubricating additives.

Ideal for non-lubricating fluids.

High resistance to stress.

**2. Stainless steel ball, coated with 40µm Hard Chrome**

Longer seal life due to the low wear of the ball

**3. "POWERAMMIDE"™ stem bush**

It grants a perfect alignment of the shaft on the body and prevents oscillations with high pressure

No seizing

High number of cycles

**4. Elastomer O-Ring with a hardness of 90 Shore A**

No deterioration with quick operations

**4. Low-permeability O-ring "Rapid Gas Decompression"**

Good resistance to explosive decompression

**5. Stem in 17-4 PH H900**

Increased mechanical strength about 5 times more compared to a standard 316 S.S.

**5. Shaft rolling**

Less wear of the seals due to the low roughness (0,4 micron Ra) which facilitate the sliding of the shaft

**6. Antistatic device (electrical continuity between ball, stem and body)**

Static electricity is avoided which can cause sparks and fire in an inflammable/explosive environment

Contact safety throughout the entire life of the valve

**Fire safe design**

Guarantees the tightness of the valve also in case of fire

**Atex Certificate**

Installation is possible in a potential explosive environment

**UP to SIL 3 certified**

Guarantee of the high level of functional safety





## features

### GENERAL FEATURES:

- Ends: Threaded ends EN ISO 228 or NPT.
- Working temperature: from -20°C to +80°C.
- Working pressure: PN400/6000 psi DN10, DN15, DN20; PN320/4500 psi DN25
- Working media: oils, petroleum and petrochemical products, water and other compatible with the constructive materials.
- Antistatic device.
- Fire safe design.

### SPECIAL EXECUTION ON REQUEST:

For other applications, please contact our sales department.

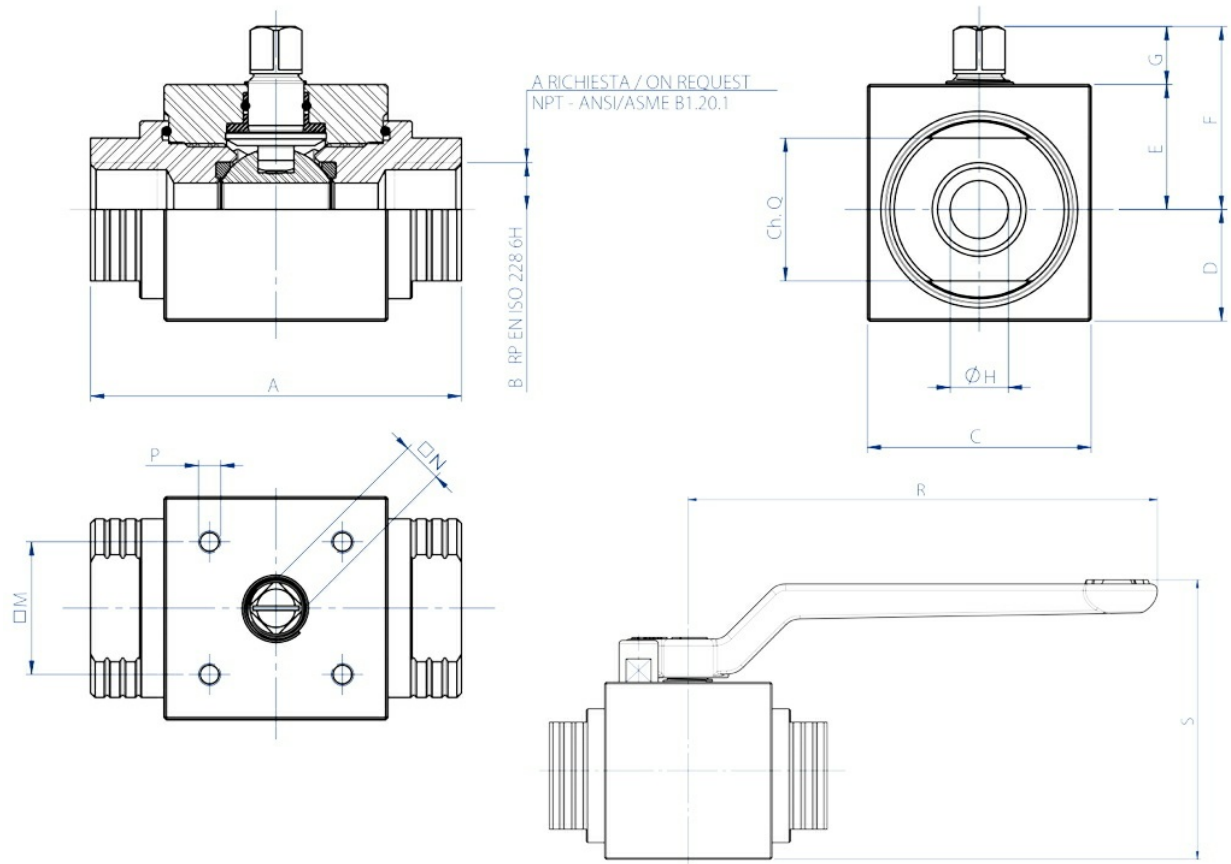
### CERTIFICATIONS:

- ATEX version in conformity with European Directive 2014/34/EU.
- ATEX certificate on request.
- Safety integrity level up to SIL 3 according to the IEC 61508.
- In compliance with European Directive 2014/68/EU PED.





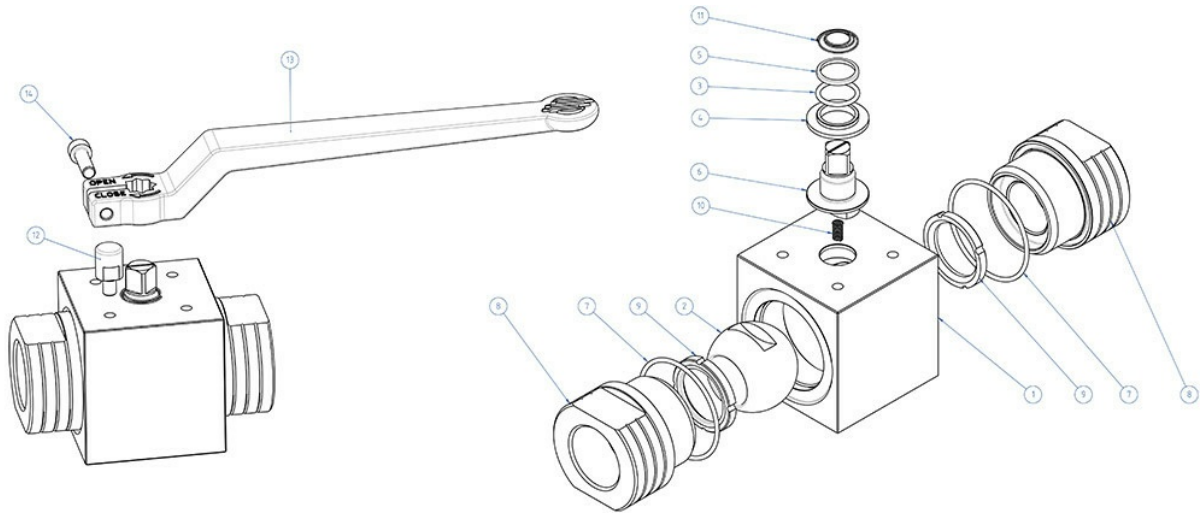
dimensions



SIZE		DIMENSIONI													
DN [mm]	[inch]	A	B	C	D	E	F	G	ØH	Ch.Q	□M	□N	P	R	S
DN 10	3/8"	72	3/8"	45	19,7	25,3	38,3	13	9	24	29,7 (F04)	9	M5	140	75,5
DN 15	1/2"	83	1/2"	50	25	28	41	13	13	32	29,7 (F04)	9	M5	140	83,6
DN 20	3/4"	95	3/4"	55	27,5	31	46	15	19	37	35,36 (F05)	11	M6	212	94,8
DN 25	1"	113	1"	65	32,5	35	50	15	25	45	35,36 (F05)	11	M6	212	103,8



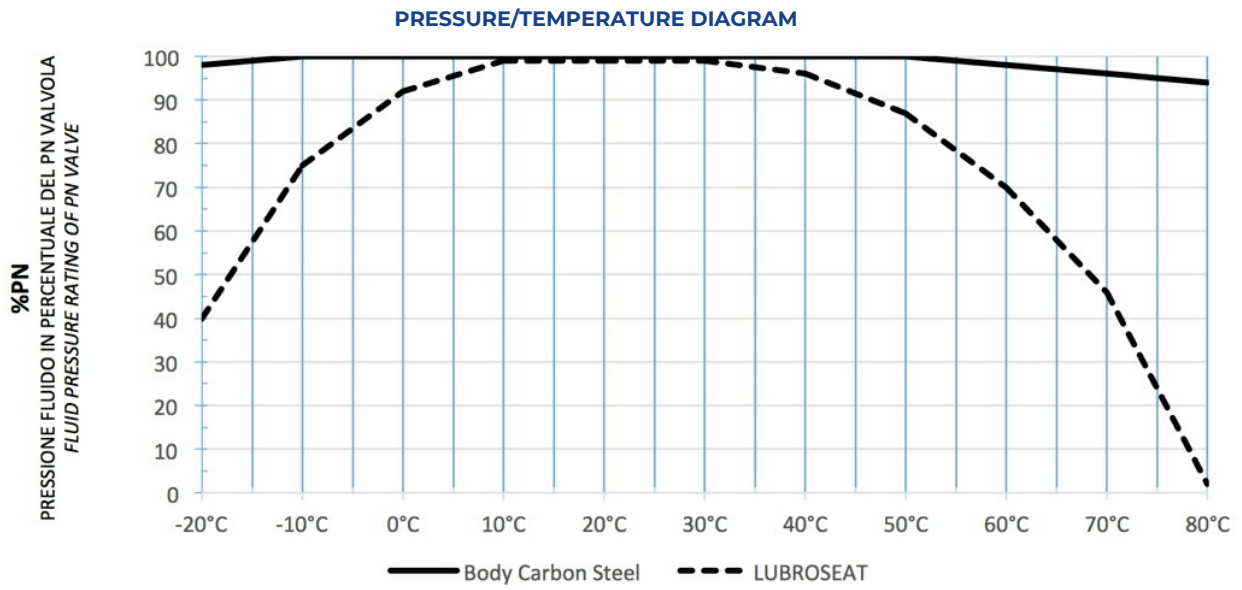
materials



MATERIALS		
1	Body	≤DN25: 1.0737 (11SMnPb37);
2	Ball	A217 CA15 / A479 tp. 410 / A182 F6A + Hard chromium plated
3*	O-ring	NBR (FKM on request)
4*	Lower bush	Modified nylon PA66
5*	Upper bush	Modified nylon PA66
6	Stem	A564 Tp 630 (17-4 PH)
7*	O-ring	NBR (FKM on request)
8	Ends	≤DN25: 1.0737 (11SMnPb37) / ASTM A350 LF2;
9*	Seats	Filled POM
10	Antistatic device spring	1.4310 - X12CrNi17-7
11	Upper antistatic device spring	1.4310 - X12CrNi17-7
12**	Holder screw	X5CrNiMo1713 - 316 S.S.
13**	Lever	EN AB 46100 - AL SI 11 CU (FE) Painted
14**	Screw	A2 - 70
* Seals kit components		
** Lever kit components		



diagrams and breakaway torque



DN10, DN15, DN20	PN400/6000 psi
DN25	PN320/4500 psi

**COPPIE DI SPUNTO in Nm**

PN	DN 10 3/8"	DN 15 1/2"	DN 20 3/4"	DN 25 1"
PN 400 bar	20	31	40	
PN 320 bar	15	25	34	62
PN 100 bar	10	20	30	39

Torque can vary depending on temperature and type of fluid, a safety factor 1.4 must be applied.

**FLOW RATE KV m<sup>3</sup>/h**

KV m <sup>3</sup> /h	11	20	60	100
----------------------	----	----	----	-----

Kv is the coefficient, expressed in m<sup>3</sup>/h (with water at 15°C) causing a pressure loss of 1 bar.



## documents

### Certificati

SIL IEC 61508 - HERCULES

ATEX - Ball Valves

### Istruzioni

ISTRUZIONI ATEX 8\_0486

ISTRUZIONI USO 8\_1095

### Manuali

MANUALE UMAH1000

