

**Warning:** filectime(): stat failed for /var/www/vhost/www.omal.it/htdocs/https://www.omal.it./FilesProdotti/TA-LUFT.pdf in /var/www/vhost/www.omal.it/htdocs/prodotto-printable.php on line 65

**Warning:** filectime(): stat failed for /var/www/vhost/www.omal.it/htdocs/https://www.omal.it./FilesProdotti/RICEVUTADEPOSITOF.T.ATEXN.VS-19.pdf in /var/www/vhost/www.omal.it/htdocs/prodotto-printable.php on line 65

**Warning:** filectime(): stat failed for /var/www/vhost/www.omal.it/htdocs/https://www.omal.it./FilesProdotti/Certificate-202053402-OMAL-ValvoleMagnum-Thor-new.pdf in /var/www/vhost/www.omal.it/htdocs/prodotto-printable.php on line 65

**Warning:** filectime(): stat failed for /var/www/vhost/www.omal.it/htdocs/https://www.omal.it./FilesProdotti/FG-063579-645FUGITIVEEMISSIONDN25CL.300TI-T2-T3-M1-M4-M5-M6.pdf in /var/www/vhost/www.omal.it/htdocs/prodotto-printable.php on line 65

**Warning:** filectime(): stat failed for /var/www/vhost/www.omal.it/htdocs/https://www.omal.it./FilesProdotti/FG-063579-646FUGITIVEEMISSIONDN100CL.300THORTI-T2-T3-M1-M4-M5-M6.pdf in /var/www/vhost/www.omal.it/htdocs/prodotto-printable.php on line 65

**Warning:** filectime(): stat failed for /var/www/vhost/www.omal.it/htdocs/https://www.omal.it./FilesProdotti/Certificato-PED-DNV.pdf in /var/www/vhost/www.omal.it/htdocs/prodotto-printable.php on line 65

**Warning:** filectime(): stat failed for /var/www/vhost/www.omal.it/htdocs/https://www.omal.it./FilesProdotti/80486-ValvoleasferaATEX-IT-EN.pdf in /var/www/vhost/www.omal.it/htdocs/prodotto-printable.php on line 65

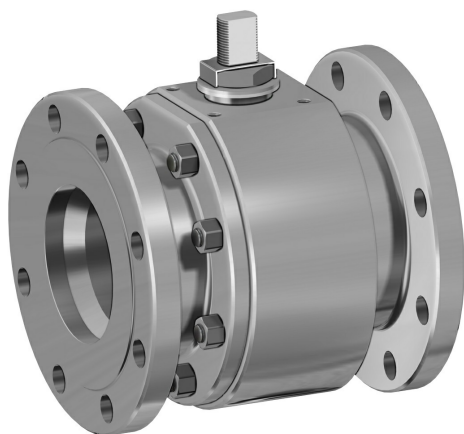
**Warning:** filectime(): stat failed for /var/www/vhost/www.omal.it/htdocs/https://www.omal.it./FilesProdotti/UMAH1000-IT-01-21.pdf in /var/www/vhost/www.omal.it/htdocs/prodotto-printable.php on line 65

**Warning:** filectime(): stat failed for /var/www/vhost/www.omal.it/htdocs/https://www.omal.it./FilesProdotti/80844-35-ValvoleasferaThorSplitBodyTIPN16-40-IT-EN-DE-ES-0522.pdf in /var/www/vhost/www.omal.it/htdocs/prodotto-printable.php on line 65

**Warning:** filectime(): stat failed for /var/www/vhost/www.omal.it/htdocs/https://www.omal.it./PdfProdotti/021/Certificati/FIRE SAFE DN 15-100/Thor Split Body - PN 16-40 ANSI 150-300 in acciaio inox - FIRE SAFE DN15-100.pdf in /var/www/vhost/www.omal.it/htdocs/prodotto-printable.php on line 65

**Warning:** filectime(): stat failed for /var/www/vhost/www.omal.it/htdocs/https://www.omal.it./FilesProdotti/Certificate6D-1007.pdf in /var/www/vhost/www.omal.it/htdocs/prodotto-printable.php on line 65

## THOR Split Body ANSI 150-300 reduced bore stainless steel ball valve



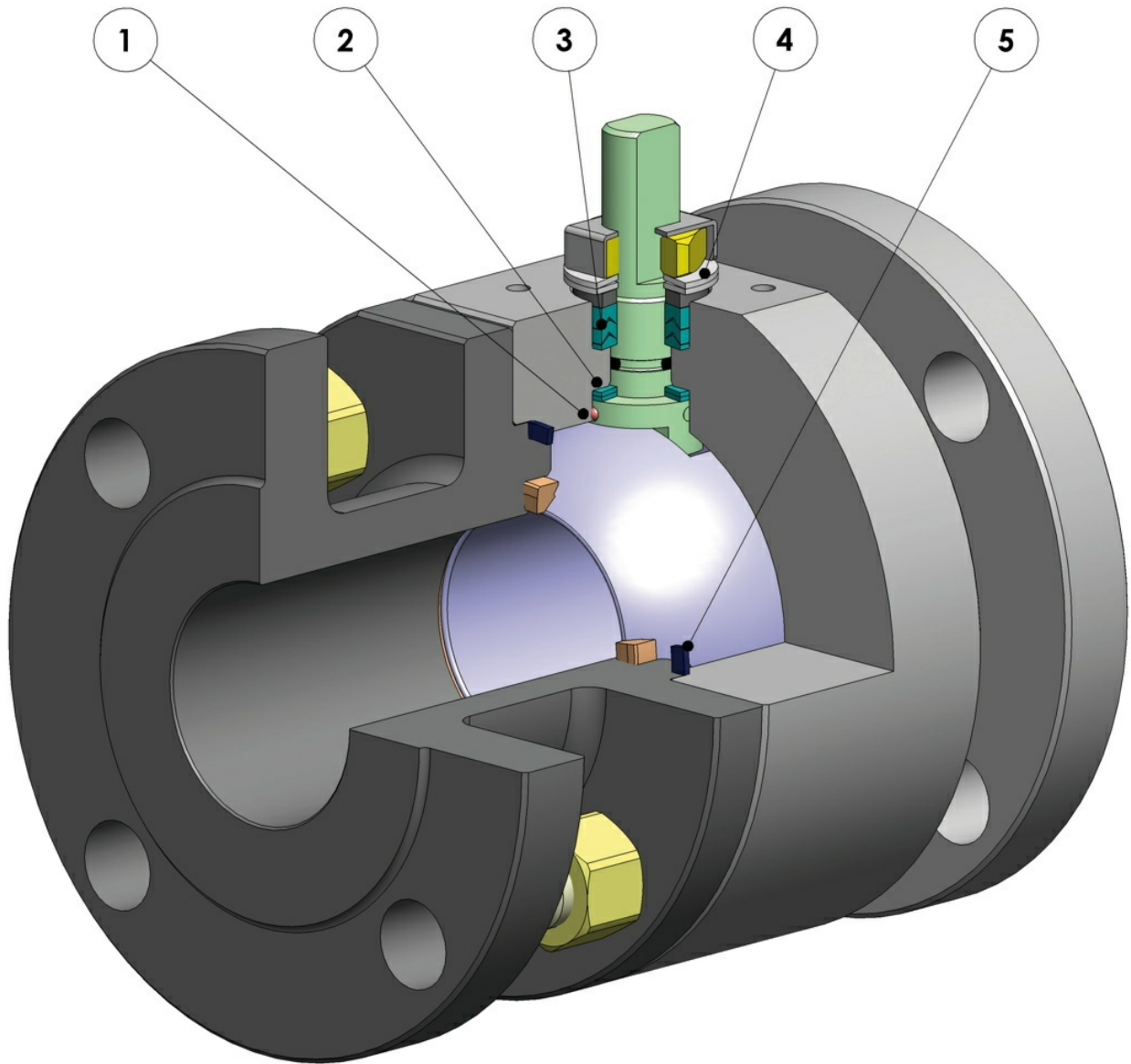
benefits

Macro [Ball valves](#)

Category [THOR](#)

Subcategory [THOR Split Body](#)

Family [THOR Split Body ANSI 150-300 reduced bore](#)



**1. Antistatic device (electrical continuity between ball, stem and body)**

Static electricity is avoided which can cause sparks and fire in an inflammable/explosive environment  
Contact safety throughout the entire life of the valve

**2. Double antifriction washer**

Less Breakaway Torque is granted  
Less wear comparing with the execution with the single washer

**3. "V" seals pack; 3 seals + o-ring**

It ensures a perfect tightness even after a high number of cycles

**4. Spring washer on the shaft seal**

Guarantee of the recovery of the gap due to the wear caused by the rotational movement of the shaft avoiding leakage towards the outside part.

Allow to maintain energized the "chevron" seals (V), thus avoiding any leakage to the outside, against huge temperature excursions

**5. Stretch Graphite seal**

Tightness towards outside is granted, independently by the thermal excursions to which the valve is subjected

**Greater precision in the alignment of axes due to a unique positioning in the process machining from raw material to finished valve**

Longer lifetime of the valve  
Less breakaway torque

**Easy maintainance directly on site**

Reduced maintainance costs

**Valve body in carbon steel made with NACE certified material as standard**

Greater corrosion resistance  
Greater ductility of the material

**100% in- house manufacturing process technology**

Maximum control and accuracy in all the stages of the manufacturing process  
Flexibility in supply quickly special executions requested by customers

**"Fire safe" Certificate**

Guarantees the tightness of the valve also in case of fire

**ATEX Certificate**

Installation is possible in a potential explosive environment

**TA LUFT fugitive emission Certificate**

High level of safety of the tightness towards the outside is granted

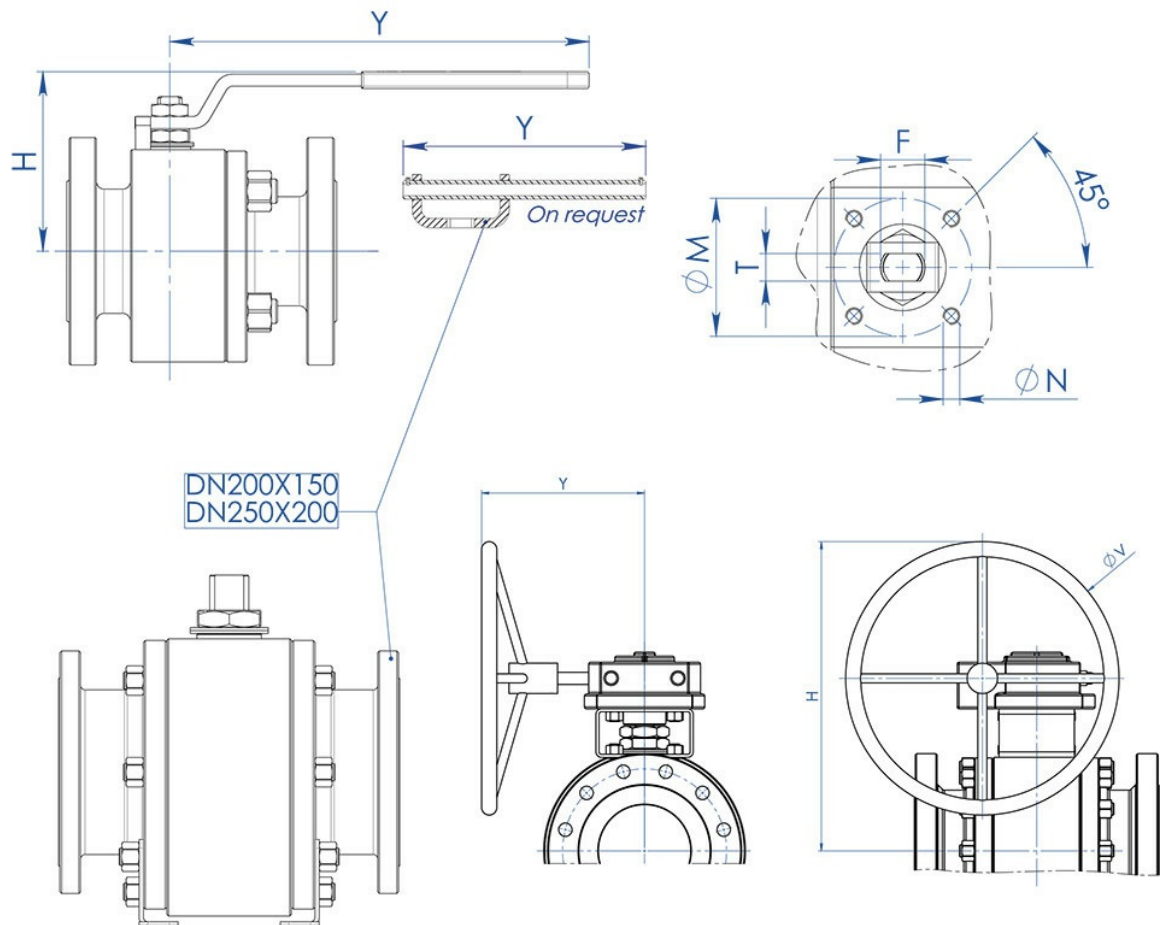
**PED Certificate**

Full compliance with European Safety Standards for Pressure Equipment

**UP to SIL 3 certified**

Guarantee of the high level of functional safety

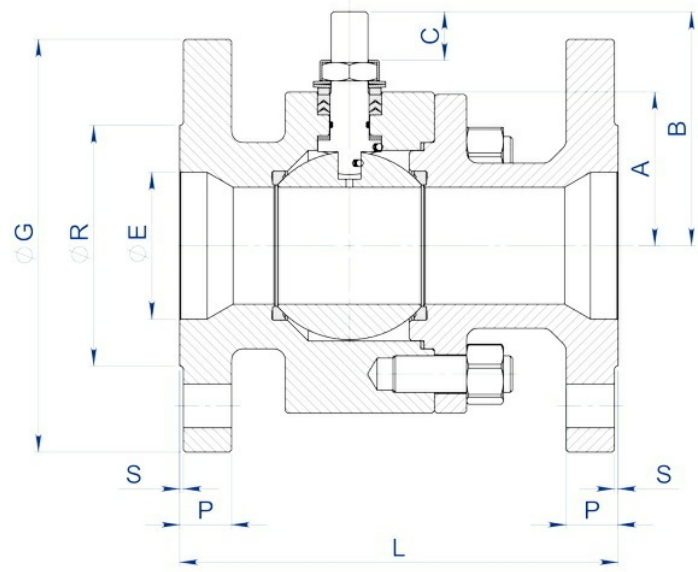
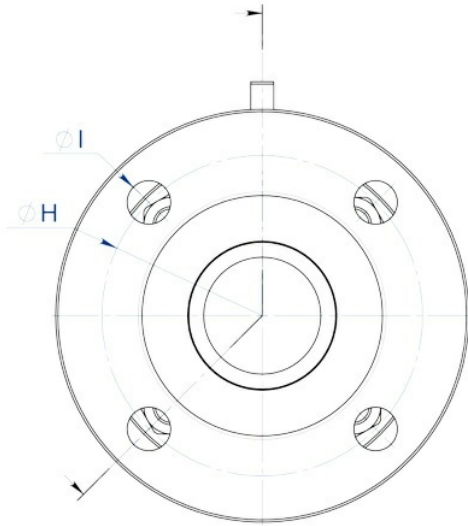
## dimensions



SIZE		DIMENSIONS							
DN [mm]	[inch]	H	Y	øV	øM	øN	F/T	ATT. ISO	LEVER KIT
DN 20x15	3/4" x 1/2"	71	140	---	36	M5	10/6	F03	KLV58004
DN 25x20	1" x 3/4"	73	140	---	36	M5	10/6	F03	KLV58004
DN 32x25	1" 1/4 x 1"	87	150	---	42	M5	12/8	F04	KLV58006
DN 40x32	1" 1/2 x 1" 1/4	91	150	---	42	M5	12/8	F04	KLV58006
DN 50x40	2" x 1" 1/2	108	275	---	50	M6	16/10	F05	KLV58008
DN 65x50	2" 1/2 x 2"	118	275	---	50	M6	16/10	F05	KLV58008
DN 80x65	3" x 2" 1/2	143	350	---	70	M8	22/14	F07	KLV58010
DN 100x80	4" x 3"	150	350	---	70	M8	22/14	F07	KLV58010
DN 125x100	5" x 4"	198	450	---	102	M10	30/18	F10	KLV58012
DN 150x100	6" x 4"	208	450	---	102	M10	30/18	F10	KLV58012
DN 200x150 ANSI 150 (*)	8" x 6"	522	326	400	140	M16	45/30	F14	---
DN 200x150 ANSI 300	8" x 6"	522	347,5	600	140	M16	45/30	F14	---
DN 250x200 ANSI 150 (*)	10" x 8"	516	347	500	140	M16	52/35	F14	---

STANDARD version with manual gearbox for DN200x150 and DN250x200.

(\*) ON REQUEST version with manual lever.



DIMENSIONS																
SIZE		ANSI	øE	A	B	C	øG	øR	S	P	øH	HOLES N°	øI	Kg	L	SEALS KIT
DN [mm]	[inch]															
DN 20x15	3/4" x 1/2"	150	19	32	52	10	100	42,9	1,6	13	69,8	4	16	2,9	117 (3)	KGBV485040
DN 20x15	3/4" x 1/2"	300	19	32	52	10	118	42,9	1,6	16,6	82,6	4	19	4,1	152 (3)	KGBV485040
DN 25x20	1" x 3/4"	150	25	35	55	10	110	50,8	1,6	14,5	79,2	4	16	3,9	127 (3)	KGBV485050
DN 25x20	1" x 3/4"	300	25	35	55	10	125	50,8	1,6	18	88,9	4	19	5,2	165 (3)	KGBV485050
DN 32x25	1" 1/4 x 1"	150	32	42	68	15	118	63,5	1,6	16,1	88,9	4	16	5,1	140 (3)	KGBV485060
DN 32x25	1" 1/4 x 1"	300	32	42	68	15	135	63,5	1,6	19,5	98,6	4	19	7	178 (3)	KGBV485060
DN 40x32	1" 1/2 x 1" 1/4	150	38	47	73	15	128	73	1,6	18	98,6	4	16	7,7	165 (3)	KGBV485070
DN 40x32	1" 1/2 x 1" 1/4	300	38	47	73	15	155	73	1,6	21	114,3	4	22	10,8	190 (3)	KGBV485070
DN 50x40	2" x 1" 1/2	150	51	58	93	21	153	91,9	1,6	19,6	120,6	4	19	11,8	178 (4)	KGBV485080
DN 50x40	2" x 1" 1/2	300	51	58	93	21	165	91,9	1,6	22,6	127	8	19	14,1	216 (4)	KGBV485080
DN 65x50	2" 1/2 x 2"	150	64	67	102	21	180	104,6	1,6	22,6	139,7	4	19	18,3	191 (4)	KGBV485090
DN 65x50	2" 1/2 x 2"	300	64	67	102	21	190	104,6	1,6	26,1	149,4	8	22	21,5	241 (4)	KGBV485090
DN 80x65	3" x 2" 1/2	150	76	83	130,5	28,4	190	127	1,6	24	152,4	4	19	25,6	203 (4)	KGBV485100
DN 80x65	3" x 2" 1/2	300	76	83	130,5	28,4	210	127	1,6	29	168,1	8	22	33,6	282 (4)	KGBV485100
DN 100x80	4" x 3"	150	102	90	137,5	28,4	230	157,2	1,6	24,6	190,5	8	19	35,9	229 (4)	KGBV485110
DN 100x80	4" x 3"	300	102	96	137,5	28,4	255	157,2	1,6	32,6	200,2	8	22	50,5	305 (4)	KGBV485110
DN 125x100	5" x 4"	150	118	111	172	35	255	185,7	1,6	24,6	215,9	8	22	53	254 (3)	KGBV485120
DN 125x100	5" x 4"	300	118	111	172	35	280	185,7	1,6	36,6	215,9	8	22	78,9	381 (3)	KGBV485120
DN 150x100	6" x 4"	150	152	111	172	35	280	215,9	1,6	25,6	241,3	8	22	67,7	394 (4)	KGBV485120
DN 150x100	6" x 4"	300	152	111	172	35	320	215,9	1,6	37,6	269,7	12	22	91,4	403 (4)	KGBV485120
DN 200x150(*)	8" x 6"	150	203	154	227,5	40,5	345	269,7	1,6	29	298,4	8	22	151,5	457 (4)	KGBV485140
DN 200x150	8" x 6"	300	203	154	227,5	40,5	381	269,7	1,6	42,5	330,2	12	25,4	184	502	KGBV48514D
DN 250x200(*)	10" x 8"	150	254	188	274	44,8	407	323,8	1,6	31	362	12	25,4	246	533 (4)	KGBV485150

STANDARD version with manual gearbox for DN200x150 and DN250x200.

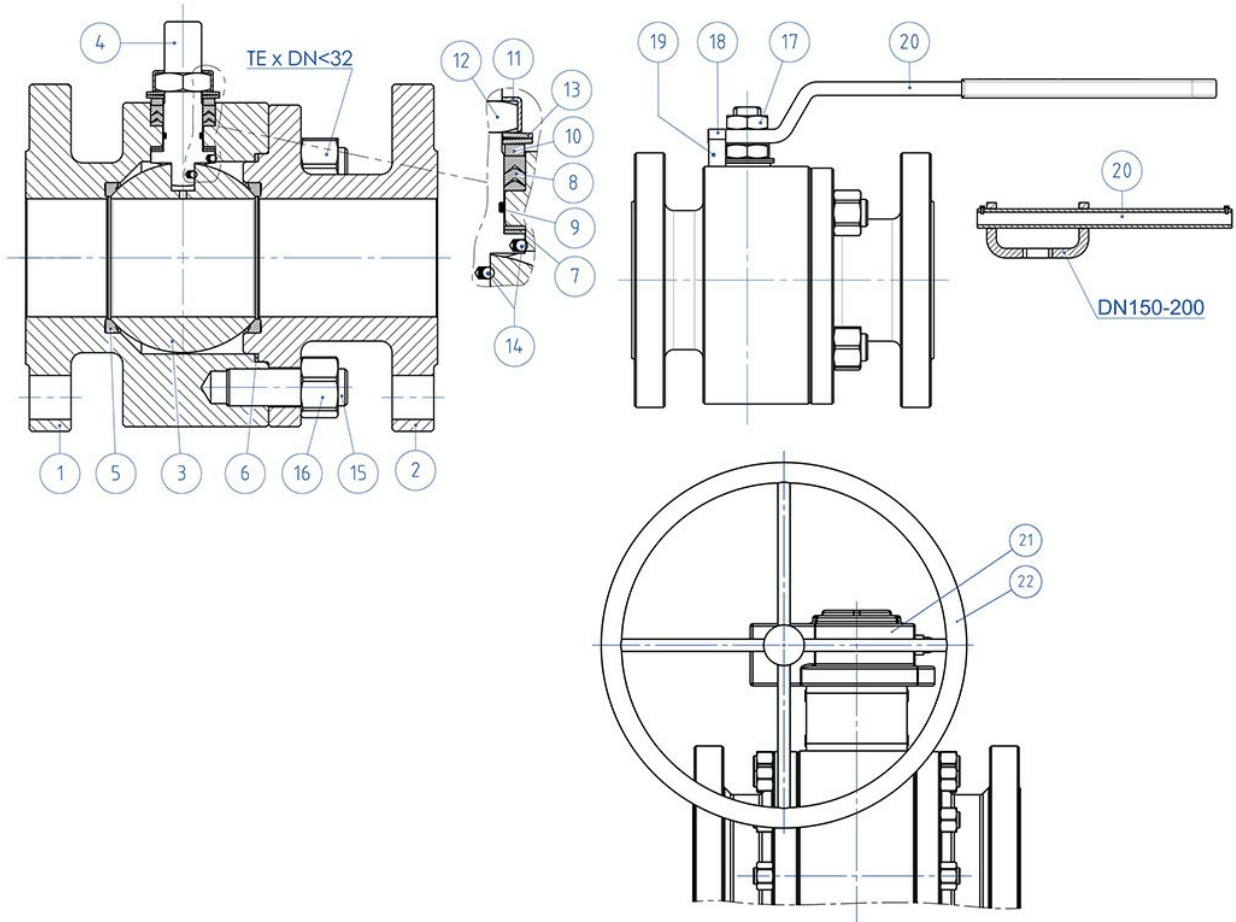
(\*) ON REQUEST version with manual lever.

(3) ANSI B16.10

(4) B16.10 / API6D



materials





**MATERIALS**  
**ANSI 150-300 FROM BAR**

N°	Description	316 Stainless steel
1	Body	ASTM A 182 F316 / A479TP.316 (1.4401 / X5CrNiMo 17-12-2)
2	Connector	
3	Ball	ASTM A351 CF8M (1.4408/Gx5CrNiMo19-12-2)
4	Stem	A564 TP.630 (17-4PH)
5*	Seat	Modified PTFE (2)
6*	Body-Connector gasket	GRAFOIL
7*	Stem lower sealing	Modified PTFE (.)
8*	Chevron seals	Modified PTFE (.)
9*	Stem o-ring	FKM (.)
10	Packing gland ring	304 S.S.
11	Stop nut plate	304 S.S.
12	Stem nut	Carbon steel galvanized (x)
13	Springs washer	Carbon steel galvanized (xx)
14	Antistatic device	316 S.S.
15	Stud bolt	ASTM A193-B8
16	Nut	ASTM A194-Gr.8
17	Lock nut	Carbon steel galvanized (x)
18	Holder screw	A2-70 (304 S.S.)
19	Holder screw	Carbon steel galvanized (x)
20	Lever	Carbon steel galvanized (x)
21	Gear box	Cast iron (painted)
22	Handwheel	Carbon steel painted

\* Components of seals kit

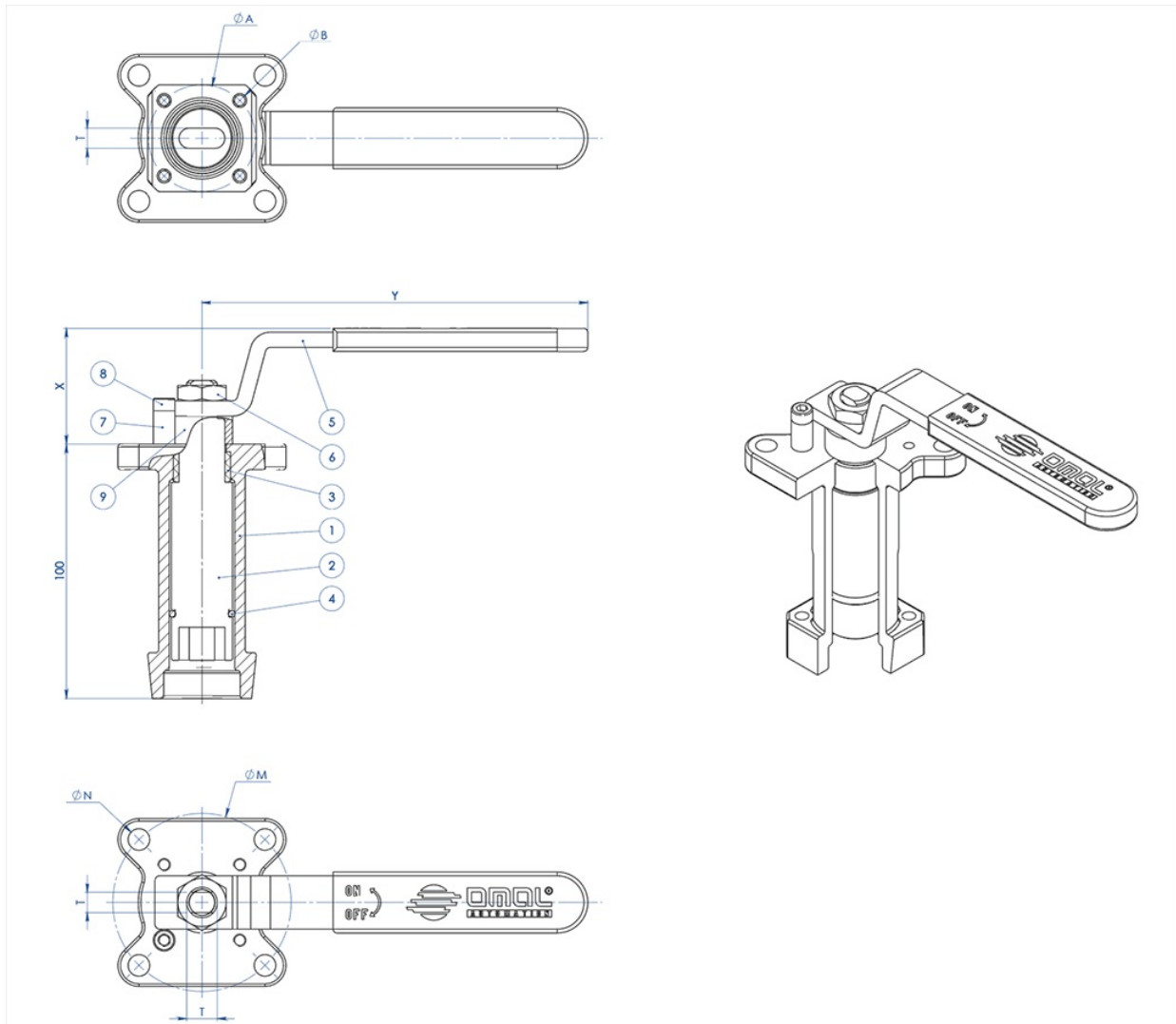
Available on request:

(x): 304 s.s.

(xx): 301 s.s.

(2) DEVLON for DN200x150 ANSI300

(.): Other materials available on request

**accessories**
**CASTING STEM EXTENSION WITH LEVER**

**MATERIALS**

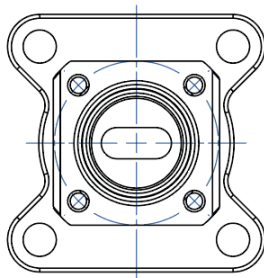
PART. N°	DESCRIPTION	MATERIAL
1	Extension	AISI304 S.S.
2	Pin	AISI 430 F
3	Bush	DELRIN
4	O-RING	NBR
5	Lever	Fe 37 galvanized (*)
6	Nut	galvanized carbon steel (*)
7	Holder Lever	galvanized carbon steel (*)
8	Holder screw	A2-70
9	Spacer	PTFE Carbon Filled

(\*): On request available in Aisi 304 s.s.

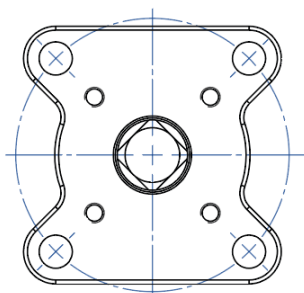
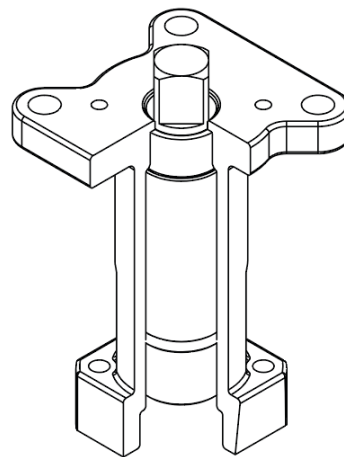
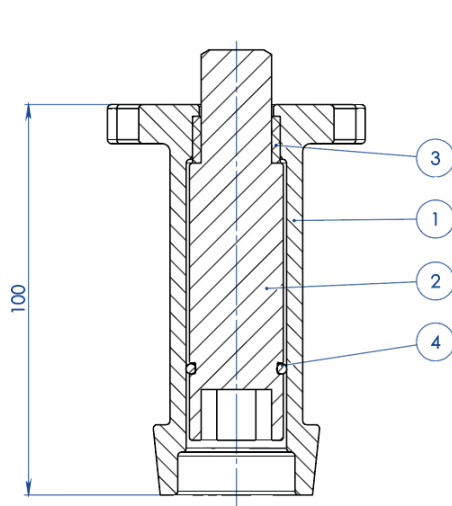
**DIMENSIONS**

ISO VALVE	ØA	ØB	ØM	ØN	F/T	X	Y
F03	36	5,5	36	5,5	10/6	38,5	141,5
F04	42	5,5	42	M5	12/8	45,5	151,5
F05	50	6,5	50	6,5	16/10	48,5	276,5
F07	70	8,5	70	8,5	22/14	57,5	351,5
F10	102	11	102	11	30/18	79,5	451,5

**NOTE:** Code of the spindle extension depending from drive's type and valve's connection; to be requested at the order.

**CASTING STEM EXTENSION FOR ACTUATORS**


**NOTA:** Le dimensioni dipendono dalle dimensioni dell'attacco valvola  
**NOTE:** Dimensions depending from valve's connection

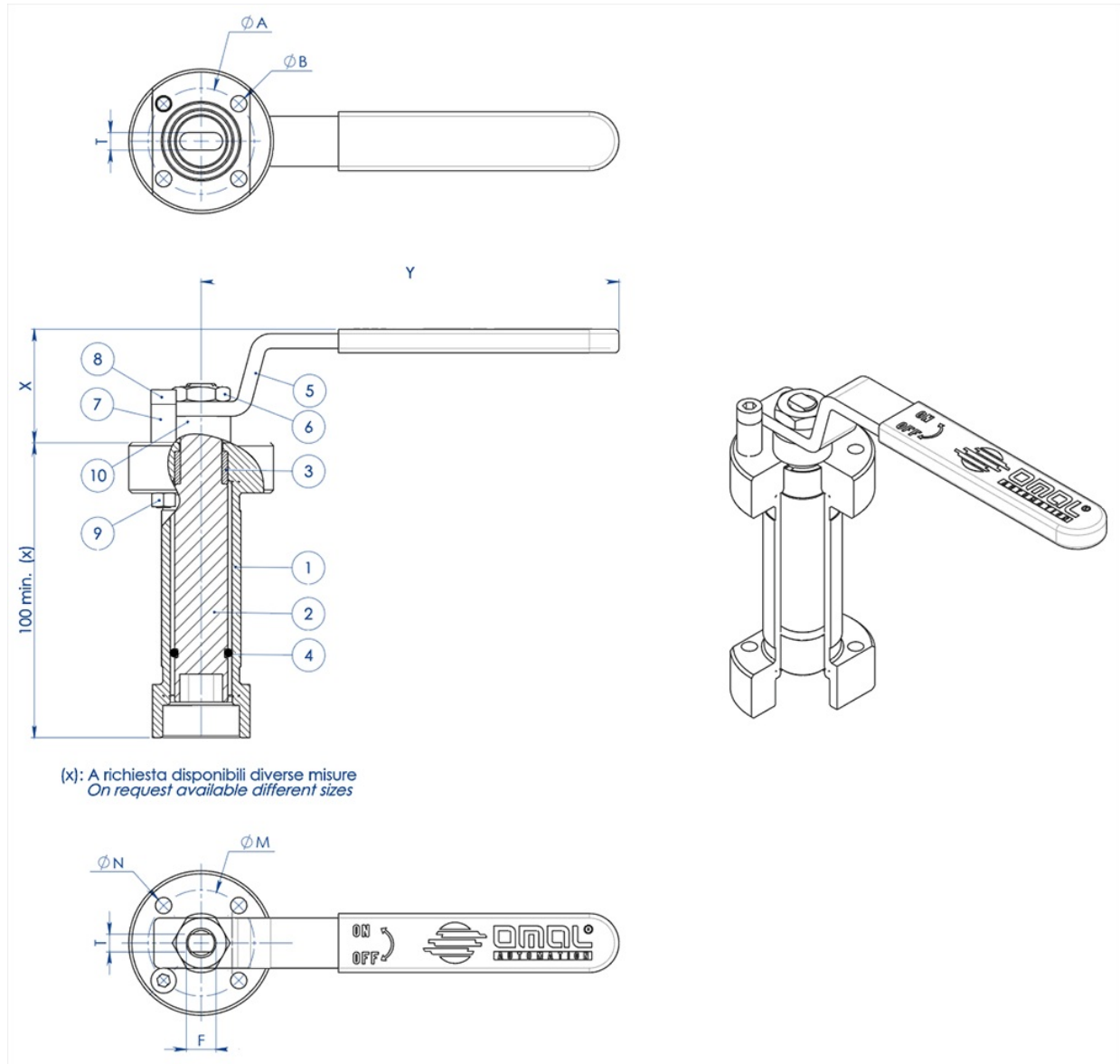


**NOTA:** Le dimensioni dipendono dalla taglia dell'attuatore  
**NOTE:** Dimensions depending from actuator's size

MATERIALS		
PART. N°	DESCRIPTION	MATERIAL
1	Extension	ASTM A351 CF8M
2	Pin	AISI 430 F
3	Bush	DELRIN
4	O-RING	NBR

NOTE: Code of the spindle extension depending from drive's type and valve's connection; to be requested at the order

### WELDED STEM EXTENSION WITH LEVER



MATERIALS		
PART. N°	DESCRIPTION	MATERIAL
1	Extension	304 s.s.
2	Pin	AISI 430 F
3	Bush	DELRIN
4	O-Ring	NBR
5	Lever	Fe 37 galvanized (*)
6	Nut	galvanized carbon steel (*)
7	Holder Lever	galvanized carbon steel (*)
8	Holder screw	A2-70
9	Holder nut	A2-70 (**)
10	Spacer	PTFE Carbon Filled

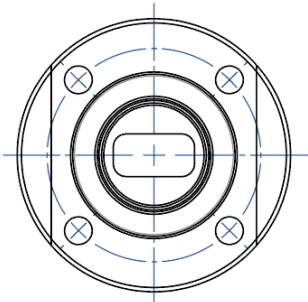
(\*): On request available in Aisi 304 s.s.

(\*\*): No available on valves with Iso connection F04

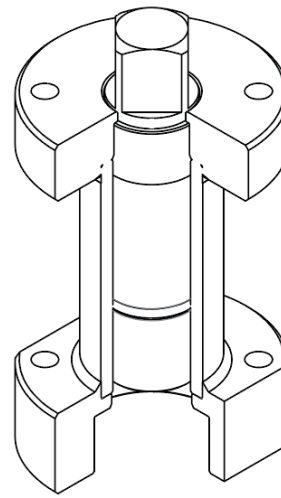
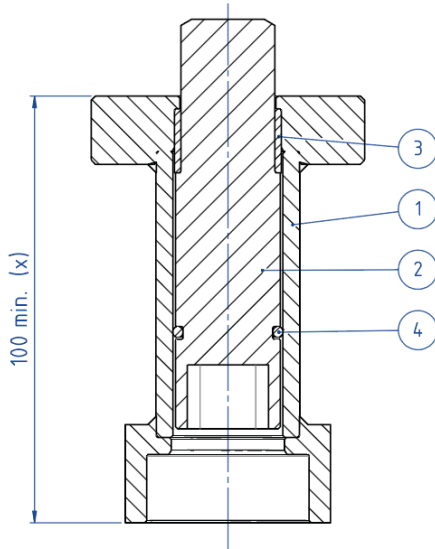
DIMENSIONS							
ISO VALVE	ØA	ØB	ØM	ØN	F/T	X	Y
F03	36	5,5	36	5,5	10/6	38,5	141,5
F04	42	5,5	42	M5	12/8	45,5	151,5
F05	50	6,5	50	6,5	16/10	48,5	276,5
F07	70	9	70	9	22/14	57,5	351,5
F10	102	11	102	11	30/18	79,5	451,5

**NOTE:** Code of the stem extension depending from drive's type and valve's connection; to be requested at the order.

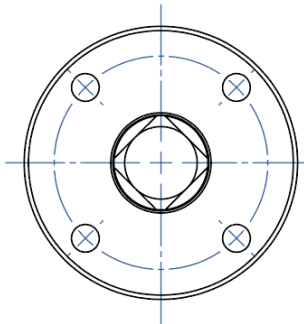
#### WELDED STEM EXTENSION FOR ACTUATORS



**NOTA: Le dimensioni dipendono dalle dimensioni dell'attacco valvola**  
**NOTE: Dimensions depending from valve's connection**



(x): A richiesta disponibili diverse misure  
 On request available different sizes

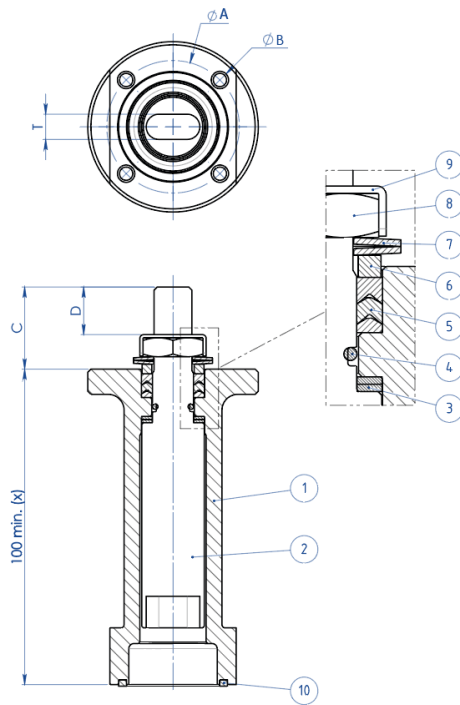


**NOTA: Le dimensioni dipendono dalla taglia dell'attuatore**  
**NOTE: Dimensions depending from actuator's size**

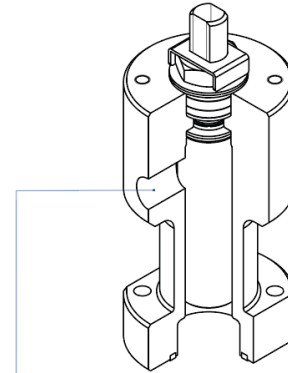
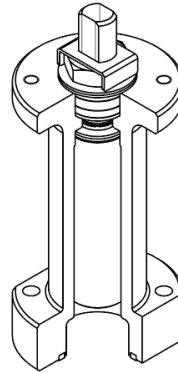
MATERIALS		
PART. N°	DESCRIPTION	MATERIAL
1	Extension	304 S.S.
2	Pin	AISI 430 F
3	Bush	DELRIN
4	O-RING	NBR

**NOTE:** Code of the stem extension depending from drive's type and valve's connection; to be requested at the order.

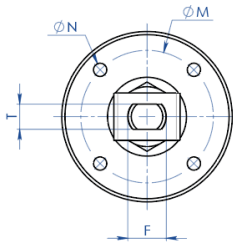
### STEM EXTENSION WITH ADDITIONAL SEAL



(x): A richiesta disponibili diverse misure  
 On request available different sizes



A richiesta disponibile anche la versione con presa per Sniffer  
 Stem extension with sniffer also available on request



#### MATERIALS

PART. N°	DESCRIPTION	MATERIAL
1	Extension	304 s.s.
2	Pin	A564 TP.630 (17-4ph)
3	Bottom Sealing	TFM1600
4	O-Ring	FKM
5	Chevron Ring	TFM1600
6	Packing Gland Ring	304 s.s.
7	Spring Washer	50CrV4 Galvanized
8	Stem Nut	UNI 3740-1 6S Galvanized
9	Stop Nut Plate	304 s.s.
10	Gasket	GRAFOIL

DIMENSIONS							
ISO VALVE	ØA	ØB	ØM	ØN	F/T	C	D
F03	36	5,5	36	M5	10/6	20	10,2
F04	42	5,5	42	M5	12/8	26	15,1
F05	50	6,5	50	M6	16/10	35	21,2
F07	70	8,5	70	M8	22/14	47,5	28,4
F10	102	10,5	102	M10	30/18	61	35,2

**NOTE:** Code of the spindle extension depending from drive's type and valve's connection; to be requested at the order.



## documents

### Certificati

TA LUFT - MAGNUM & THOR  
ATEX - Ball Valves  
SIL IEC 61508 - MAGNUM & THOR  
FUGITIVE EMISSION DN25 CL.300 T1-T2-T3-M1-M4-M5-M6  
FUGITIVE EMISSION DN100 CL.300 T1-T2-T3-M1-M4-M5-M6  
PED  
FIRE SAFE - SPLIT BODY CL150-300 PN16-40 DN15-200 316  
API Licence number 6D-1007

### Istruzioni

ISTRUZIONI ATEX 8\_0486  
ISTRUZIONI USO 8\_0844-35

### Manuali

MANUALE UMAH1000