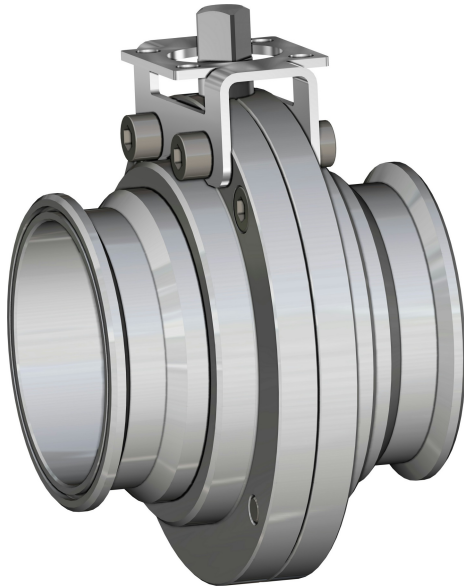


Item 494 butterfly valve



Macro Butterfly valves

Category Other butterfly valves

ITEM 494
Butterfly valve clamp

features

STANDARD EXECUTIONS:

- Valve manufactured in 304 (series 490-492-493) and in 316L (series 494) stainless steel.
- The valve it's suitable for food industries.
- Working temperature: from 0°C to + 150°C
- Working pressure: PN 6
- Fluid range: food industry.
- Connections:
 - GAS threads as per DIN/ISO 228/1;
 - DIN 11851 threads for food industry;
 - to be butt-welded as per DIN 11850-1;
 - Clamp BS 4825 (DIN 32676 C serie)

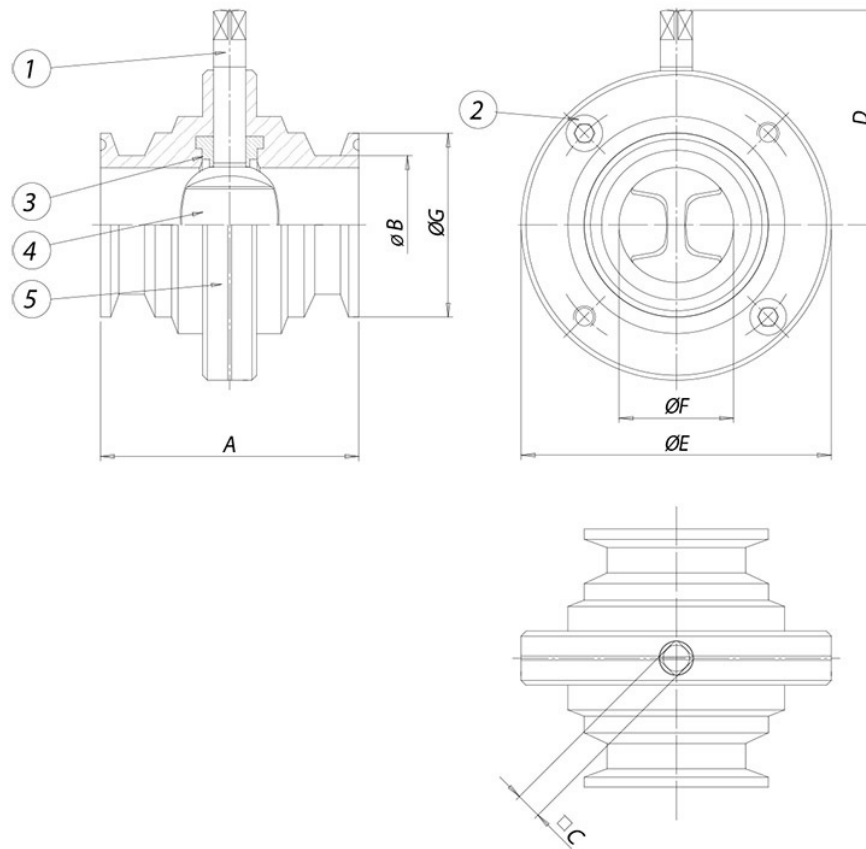
- Surface treatment: polished.

ON REQUEST:

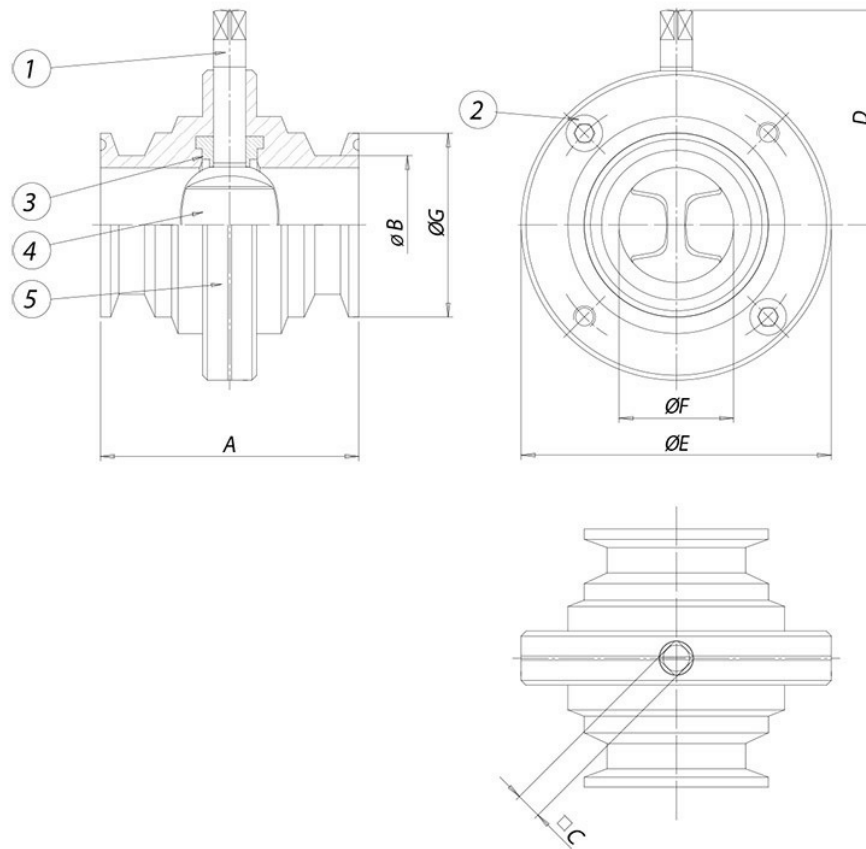
- Threaded SMS 1146
- Threaded MACON
- Clamp DIN 32676 A serie
- Clamp ISO 2852
- For other applications, please contact our sales department.

dimensions

ITEM 494 CLAMP BS 4825 (DIN 32676 C serie)



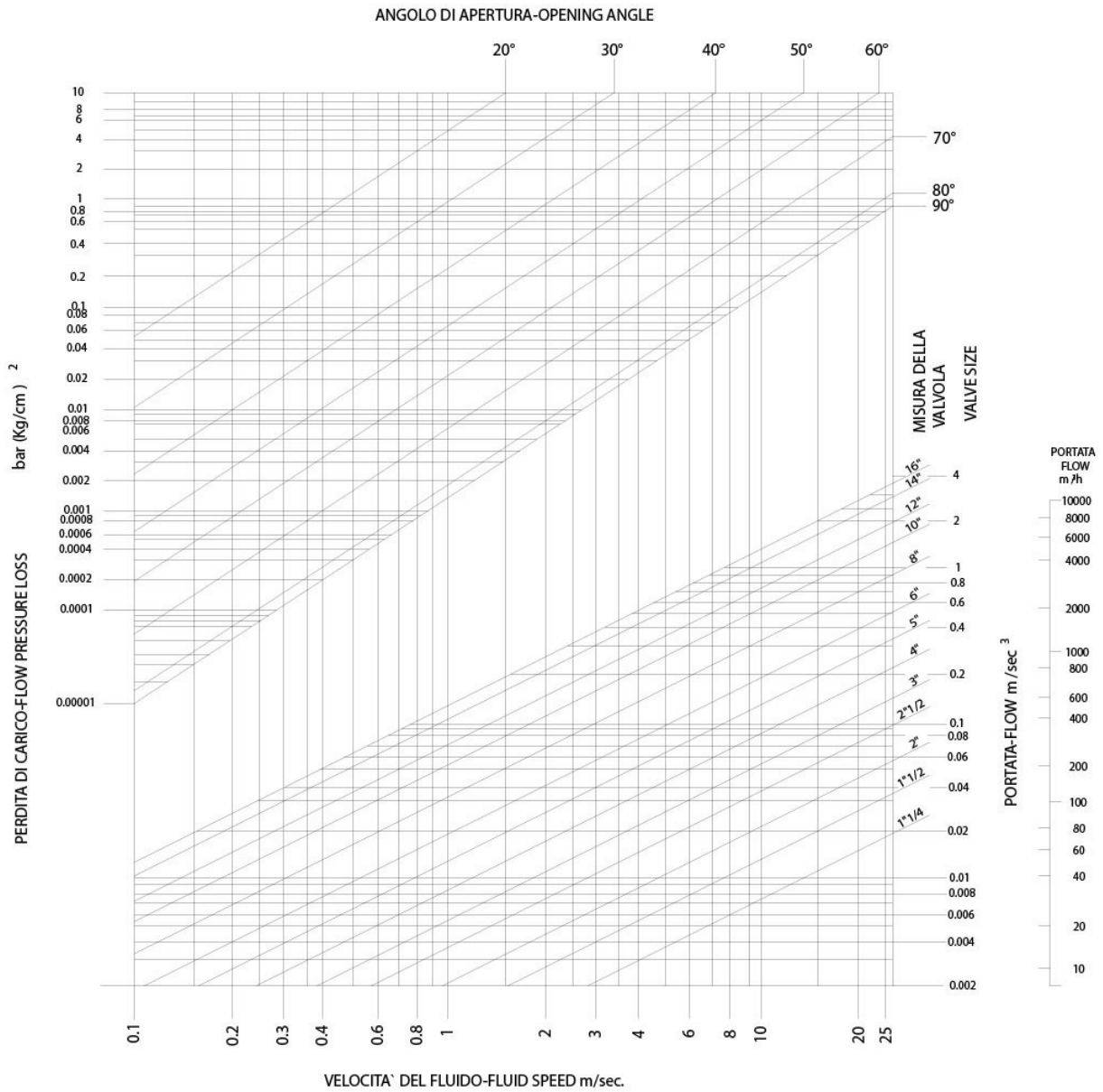
DIMENSIONS							
CLAMP SIZE [inch]	A	ØB	□C	D	ØE	ØF	ØG
1"	68	25,4	9	58	79	22,1	50,4
1 1/2"	76	38,1	9	63	85	34,8	50,4
2"	80	50,8	9	71	105	47,5	64
2 1/2"	82	63,5	9	76	113	60,2	77,4
3"	82	76,1	9	81	125	72,8	90,9
4"	88	101,6	11	100	157	97,6	118,8

materials
CLAMP BS 4825 (DIN 32676 C serie)


MATERIALS				
1	Shaft	316L S.S.	1.4401	UNI X5CrNiMo 17 12
2	Screws	316L S.S.	1.4401	UNI X5CrNiMo 17 12
3*	Internal seals	Silicone		
4	Disc	3CF3M	1.4401	UNI X5CrNiMo 17 12
5	Ends	316L S.S.	1.4401	UNI X5CrNiMo 17 12

* Components of spare part kit KGBV72...

diagrams and breakaway torque



BREAKAWAY TORQUES Nm							
SIZE	DN 25 1"	DN 32 1"1/4	DN 40 1"1/2	DN 50 2"	DN 65 2"1/2	DN 80 3"	DN 100 4"
PN 6 bar	7	9	15	18	29	43	65

Torque can vary depending on temperature and type of fluid; a safety factor of 1.4 must be applied. Torque can drop on high frequency of operations. The actuator/valve sizing, indicated on the following pages, are based for valves to be used with liquids or gaseous fluids, clean, and for medium temperatures. For further information, or different uses please contact our technical department.