

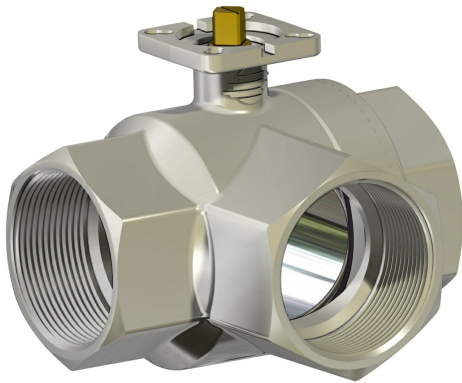
Warning: filectime(): stat failed for /var/www/vhost/www.omal.it/htdocs/https://www.omal.it./FilesProdotti/Certificato-PED-DNV.pdf in /var/www/vhost/www.omal.it/htdocs/prodotto-printable.php on line 65

Warning: filectime(): stat failed for /var/www/vhost/www.omal.it/htdocs/https://www.omal.it./FilesProdotti/80486-ValvoleasferaATEX-IT-EN.pdf in /var/www/vhost/www.omal.it/htdocs/prodotto-printable.php on line 65

Warning: filectime(): stat failed for /var/www/vhost/www.omal.it/htdocs/https://www.omal.it./FilesProdotti/80844-03-ITEM153-IT-EN-DE-ES-0723.pdf in /var/www/vhost/www.omal.it/htdocs/prodotto-printable.php on line 65

Warning: filectime(): stat failed for /var/www/vhost/www.omal.it/htdocs/https://www.omal.it./FilesProdotti/RICEVUTADEPOSITOF.T.ATEXN.VS-19.pdf in /var/www/vhost/www.omal.it/htdocs/prodotto-printable.php on line 65

Item 153 brass ball valve



Macro [Ball valves](#)

Category [Other brass ball valves](#)

3-way full-bore threaded-ends brass ball valve, "L" port

features

GENERAL FEATURES:

- The valve is suitable for medium pressures with non aggressive fluids. The valve can be used as diverter only the in let can be from central way only, see plane.
- Working temperature: from -20°C to + 120°C
- Working pressure: 16 bar max, see diagram
- Fluid range: air, water, oil, gas, petroliferous and petrochemical products.
- Threaded ends as per ISO 7/1 and NPT specifications.
- ISO 5211 flange connection.

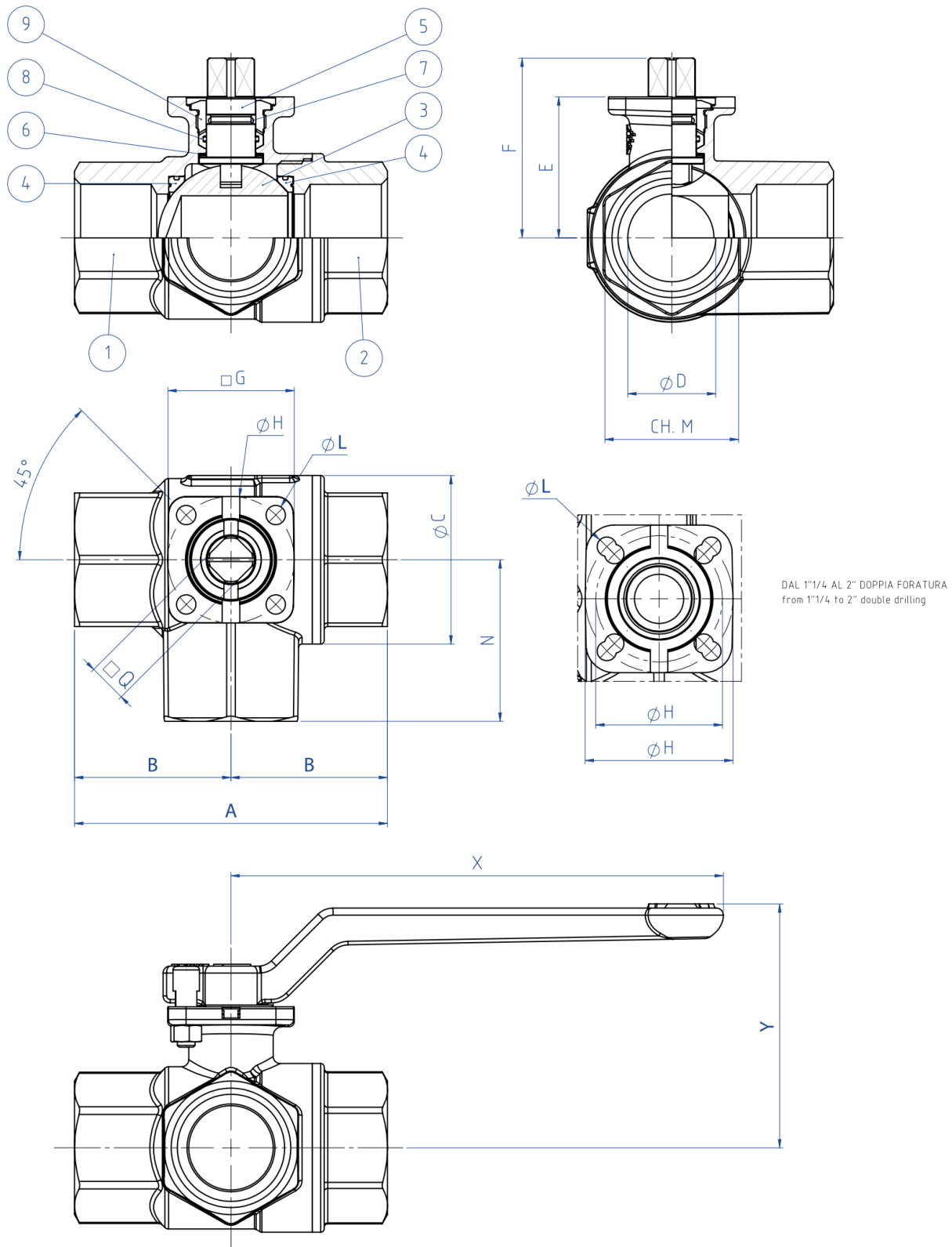
ON REQUEST:

- For other applications, please contact our sales department.

CERTIFICATIONS:

- According to 2014/68/EU "PED"
- ATEX version in conformity with directive 2014/34/EU on request

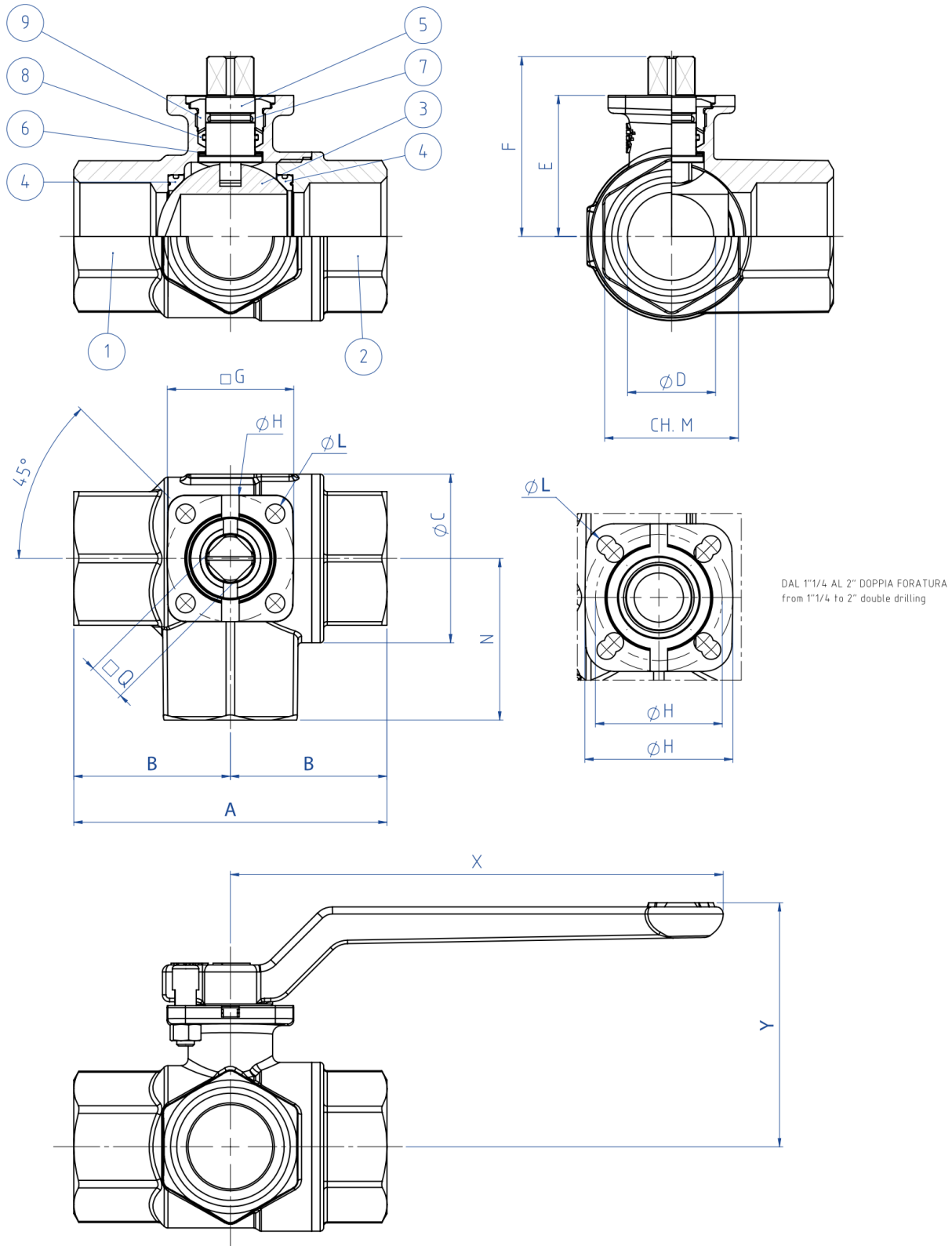
dimensions



DIMENSIONS

SIZE		ØD	A		B		ØC	N	□Q	E	F	□G	ØH	ISO	ØL	ch.M	X	Y
DN [mm]	[inch]		ISO 7/1	NPT	ISO 7/1	NPT												
DN 10	3/8"	10	69	62	33	31	31,8	33	9	30,5	38,4	36	36	F03	5,5	25	140	58,5
DN 15	1/2"	15	69	62	33	31	31,8	33	9	30,5	38,4	36	36	F03	5,5	25	140	58,5
DN 20	3/4"	20	77	68	38	34	40	38	11	36,3	47,1	36	36	F03	5,5	31	140	64,5
DN 25	1"	25	89	79,5	46	39,8	48	46	11	40,2	50,9	36	36	F03	5,5	38	140	68,5
DN 32	1" 1/4	32	103	92	54	46	60	54	11	51,5	62,5	42	36/42	F03/F04	5,5	47	140	80
DN 40	1" 1/2	40	114	102	61	51	70,6	61	11	58	69	42	36/42	F03/F04	5,5	54	140	86
DN 50	2"	50	134	116	73	58	86,5	73	11	65,3	76,3	46	42/50	F04/F05	5,5/6,5	66	140	93,5

materials

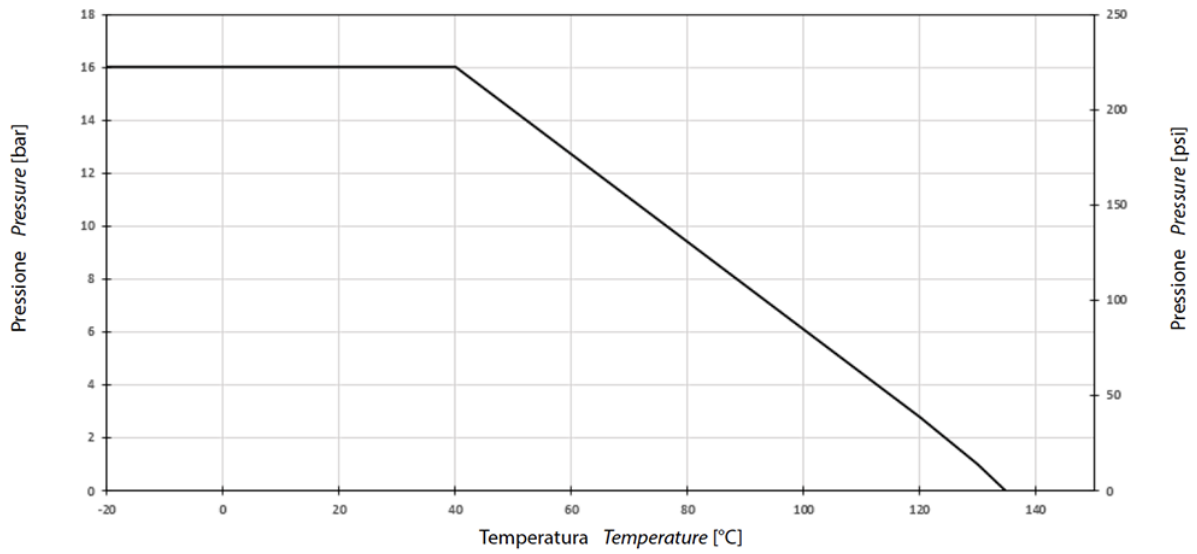


MATERIALS

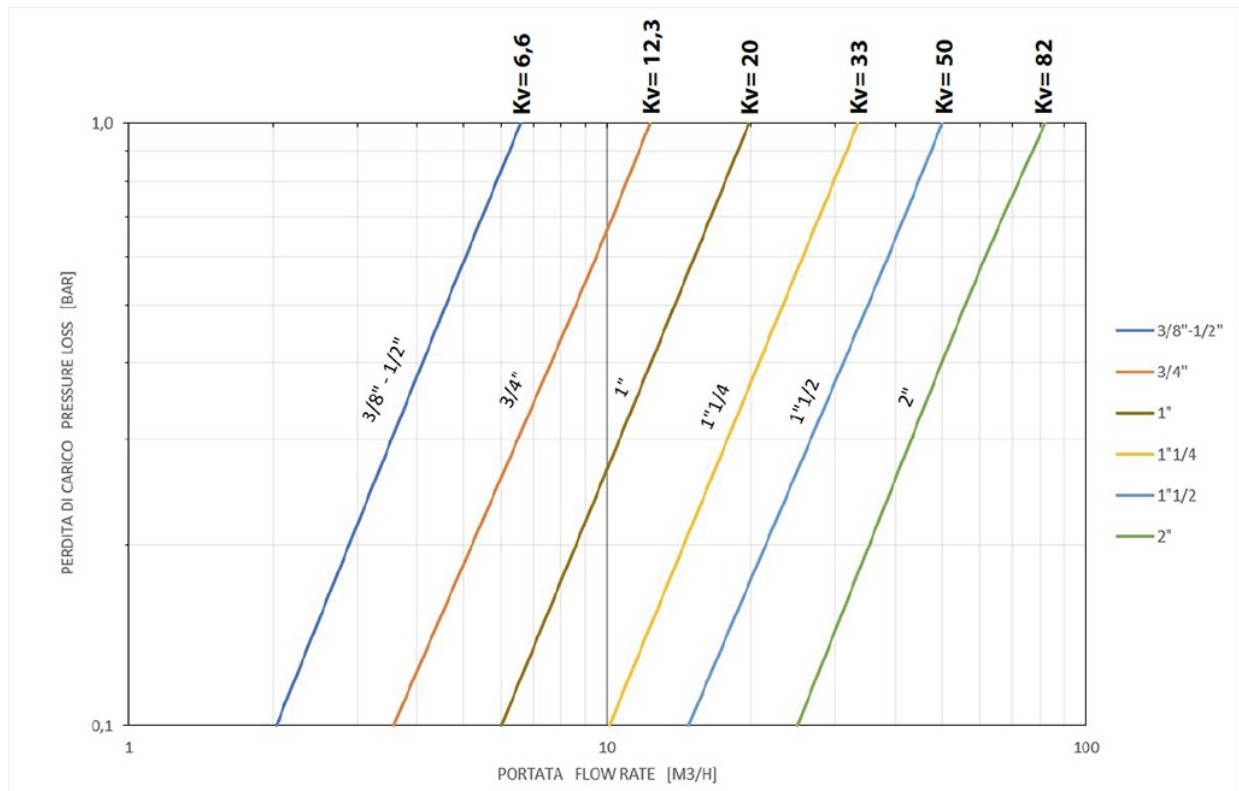
1	Body*	Ottone	EN 12165 CW617N
2	Threaded ends*	Ottone	EN 12165 CW617N
3	Ball	Ottone cromata dura	EN 12164 CW614N
4	Seals	P.T.F.E.	
5	Shaft	Ottone	EN 12164 CW614N
6	Antifriction rings	P.T.F.E.	
7	O-ring	FKM	
8	Shaft seal	P.T.F.E.	
9	Gland nut*	Ottone	EN 12164 CW614N
*Surface treatment: bright nickel plating			

diagrams and breakaway torque

Pressure/temperature diagram



Flow/pressure loss diagram and Kv nominal coefficient



Kv is the coefficient, expressed in m³/h (with water at 15°C) causing a pressure loss of 1 bar.

BREAKAWAY TORQUES Nm							
SIZE	DN 10 3/8"	DN 15 1/2"	DN 20 3/4"	DN 25 1"	DN 32 1 1/4"	DN 40 1 1/2"	DN 50 2"
PN 16 bar	4	4	5	8	11	16	23

Torque can vary depending on temperature and type of fluid; a safety factor of 1.4 must be applied. Torque can drop on high frequency of operations. The actuator/valve sizing, indicated on the following pages, are based for valves to be used with liquids or gaseous fluids, clean, and for medium temperatures. For further information, or different uses please contact our sales department.

specifications

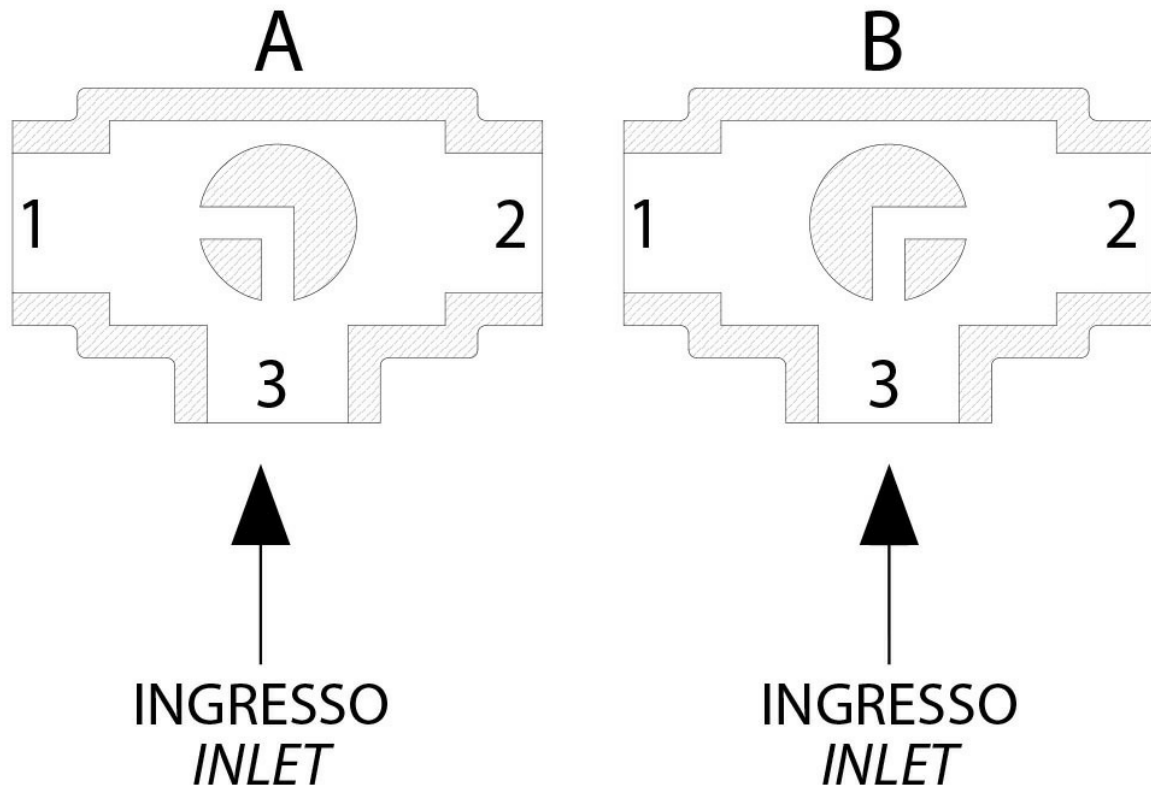
Plan for "L"

N.B.:

"A" must be the rest position of the ball with **SR FAIL CLOSE** actuator.

"B" must be the rest position of the ball with **SR FAIL OPEN** actuator.

View from above



documents

Certificati

PED

ATEX - Ball Valves

Istruzioni

ISTRUZIONI ATEX 8_0486

ISTRUZIONI USO 8_0844-03