

Item 115 brass ball valve



Macro Ball valves

Category Other brass ball valves

2-way full-bore flat body flanged brass ball valve

features

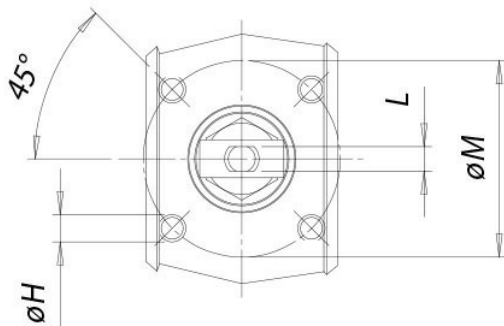
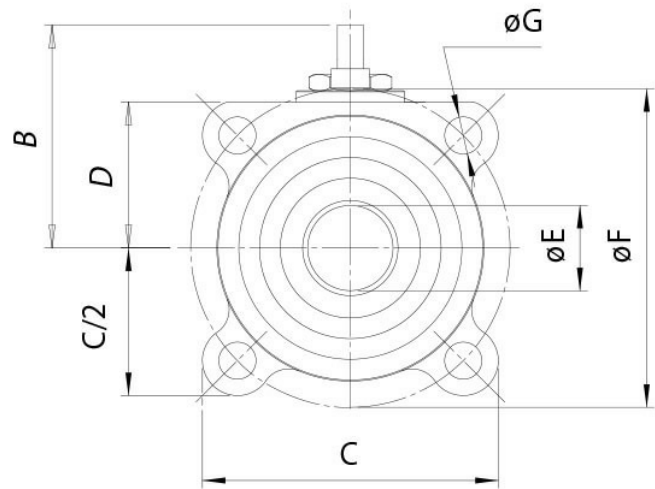
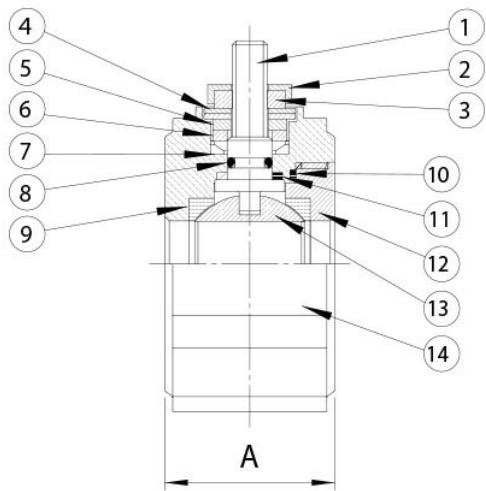
GENERAL FEATURES:

- Flanges according to: EN1092-1 PN16
- Working temperature: from -20°C to +150°C for liquids from -20°C to +60°C for gas
- Working pressure: 16 bar see diagram
- Fluid range: water, air, gas, petroleum and petrochemical products. Not suitable for aggressive media.
- ISO 5211 connection to actuators

ON REQUEST:

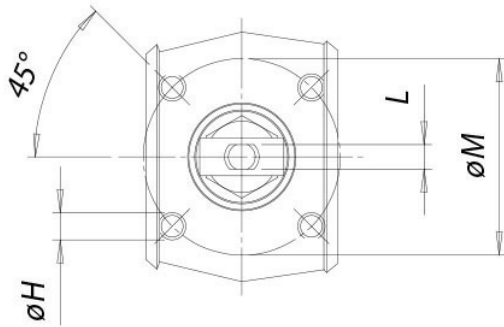
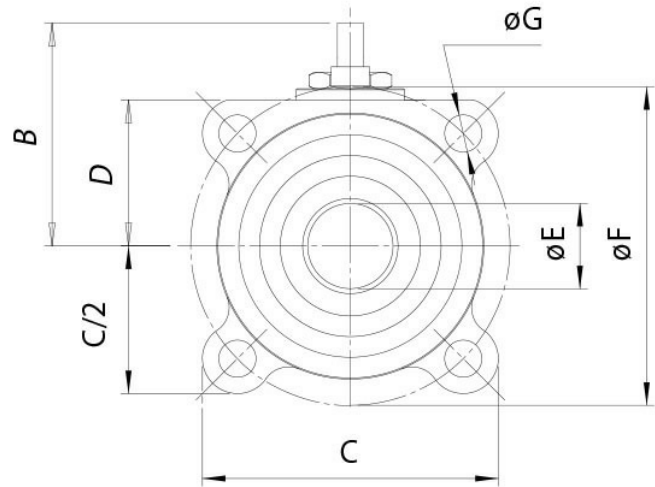
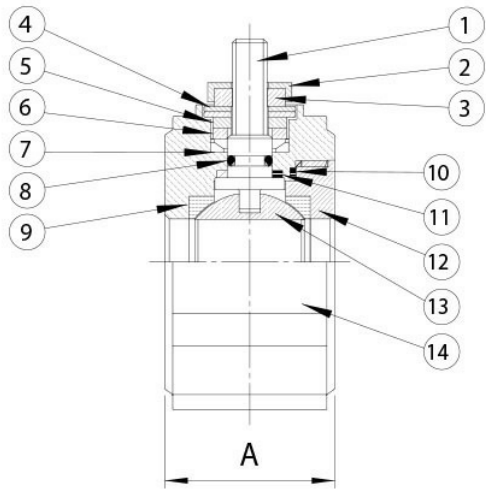
- For other applications, please contact our sales department.

dimensions



SIZE		DIMENSIONS									
DN [mm]	[inch]	A	B	C	D	ØE	ØF	ØG	ØH	L	ØM
DN 15	1/2"	35	48	66	31	15	65	M12	M5	6	36
DN 20	3/4"	38	51	73	34	20	75	M12	M5	6	36
DN 25	1"	43	63,5	83	39,5	25	85	M12	M5	8	42
DN 32	1" 1/4	54	68	100	46	32	100	M16	M5	8	42
DN 40	1" 1/2	60	80	105	50	40	110	M16	M6	10	50
DN 50	2"	70	87	115	57	50	125	M16	M6	10	50

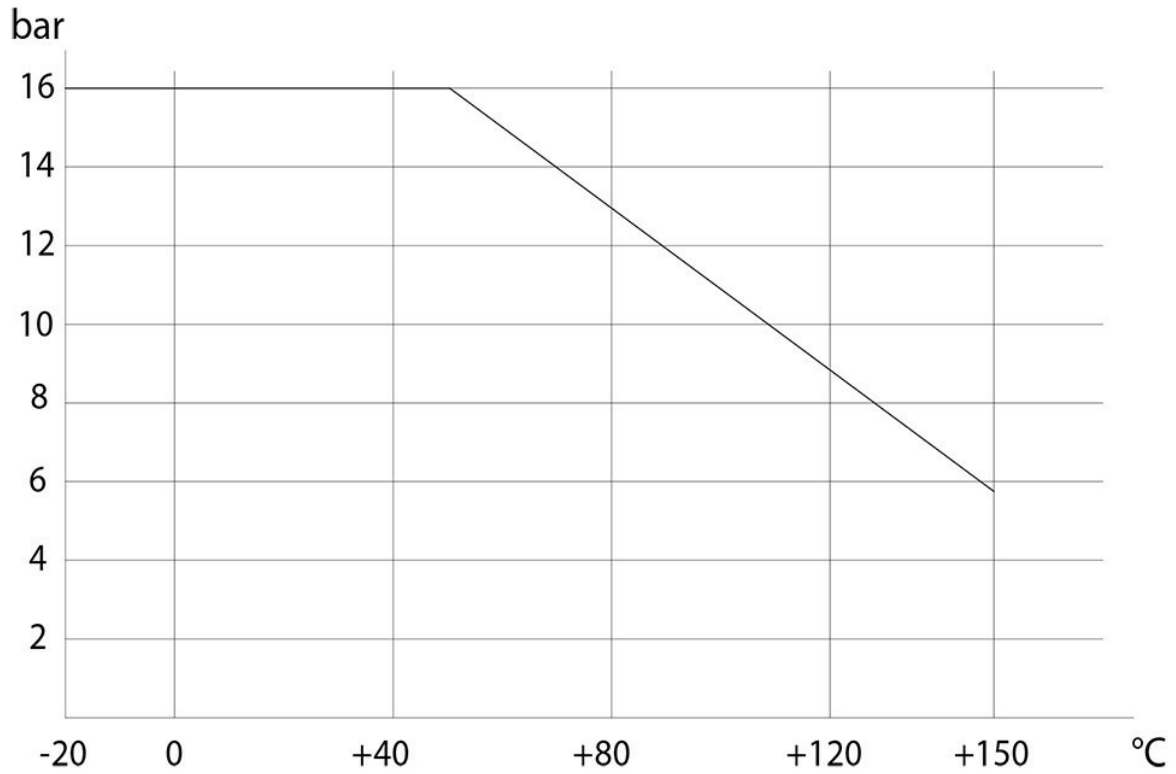
materials



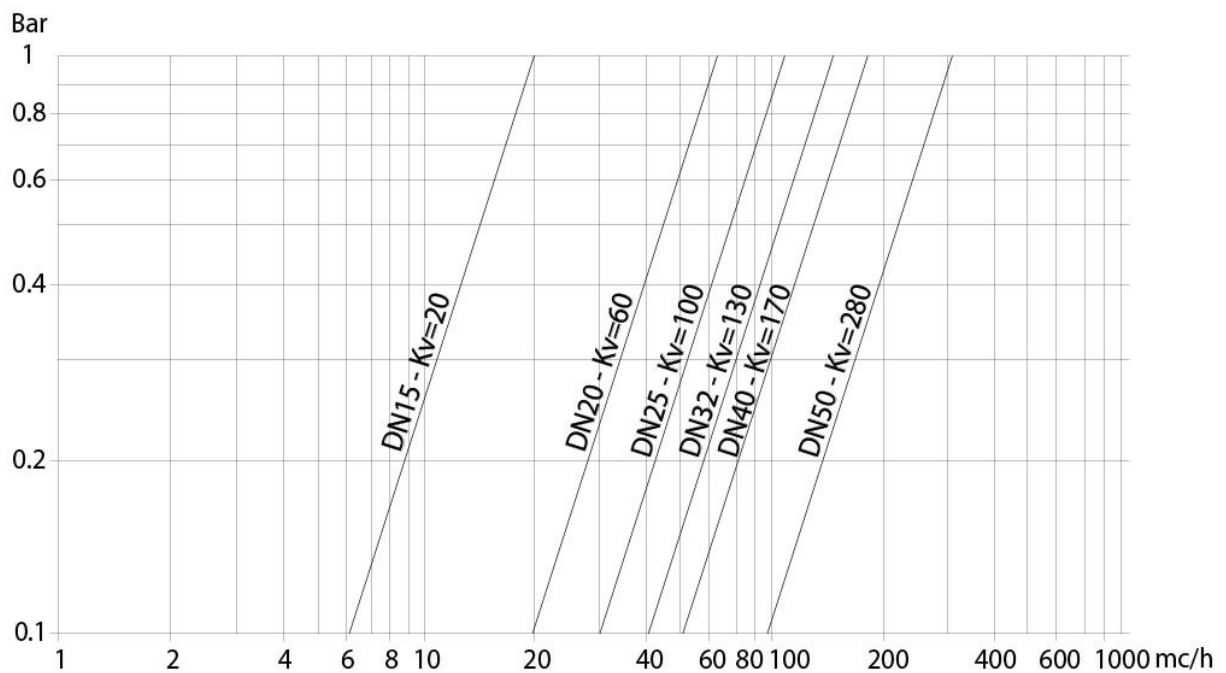
MATERIALS				
1	Shaft	304 S.S.	1.4301	UNI X5CrNi 18 10
2	Nut holder	304 S.S.	1.4301	UNI X5CrNi 18 10
3	Lock nut	304 S.S.	1.4301	UNI X5CrNi 18 10
4	Belleville washer	50 CrV4		
5	Standstill	304 S.S.	1.4301	UNI X5CrNi 18 10
6	Cland nut ring	304 S.S.	1.4301	UNI X5CrNi 18 10
7	Top sealing	P.T.F.E.		
8	O-ring	FKM		
9	Seals	P.T.F.E.		
10	O-ring	P.T.F.E.		
11	Bottom sealing	P.T.F.E.		
12	Ring nut*	Brass		EN 12164 CW614N
13	Ball chromium plated	Brass		EN 12164 CW614N
14	Body*	Brass		EN 12165 CW617N
Surface treatment: bright nickel plating				

diagrams and breakaway torque

Pressure/temperature diagram



Flow/pressure loss diagram and Kv nominal coefficient



Kv is the coefficient, expressed in m³/h (with water at 15°C) causing a pressure loss of 1 bar.

BREAKAWAY TORQUES Nm						
SIZE	DN 15 1/2"	DN 20 3/4"	DN 25 1/2"	DN 32 1"1/4	DN 40 1"1/2	DN 50 2"
PN 16 bar	7	9	16	26	39	58

Torque can vary depending on temperature and type of fluid; a safety factor of 1.4 must be applied. Torque can drop on high frequency of operations. The actuator/valve sizing, indicated on the following pages, are based for valves to be used with liquids or gaseous fluids, clean, and for medium temperatures. For further information, or different uses please contact our sales department.