

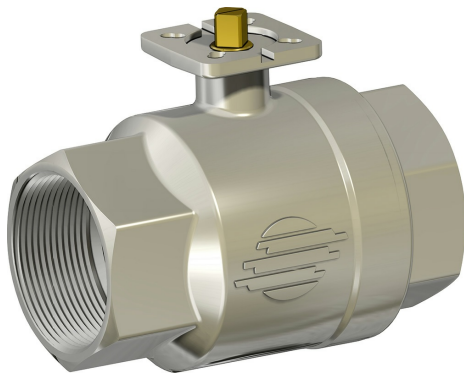
Warning: filectime(): stat failed for /var/www/vhost/www.omal.it/htdocs/https://www.omal.it./FilesProdotti/Certificato-PED-DNV.pdf in /var/www/vhost/www.omal.it/htdocs/prodotto-printable.php on line 65

Warning: filectime(): stat failed for /var/www/vhost/www.omal.it/htdocs/https://www.omal.it./FilesProdotti/80486-ValvoleasferaATEX-IT-EN.pdf in /var/www/vhost/www.omal.it/htdocs/prodotto-printable.php on line 65

Warning: filectime(): stat failed for /var/www/vhost/www.omal.it/htdocs/https://www.omal.it./FilesProdotti/80844-02-ITEM101-IT-EN-DE-ES-0723.pdf in /var/www/vhost/www.omal.it/htdocs/prodotto-printable.php on line 65

Warning: filectime(): stat failed for /var/www/vhost/www.omal.it/htdocs/https://www.omal.it./FilesProdotti/RICEVUTADEPOSITOF.T.ATEXN.VS-19.pdf in /var/www/vhost/www.omal.it/htdocs/prodotto-printable.php on line 65

Item 101 brass ball valve



Macro [Ball valves](#)

Category [Other brass ball valves](#)

2-way full-bore threaded-ends brass ball valve

features

GENERAL FEATURES:

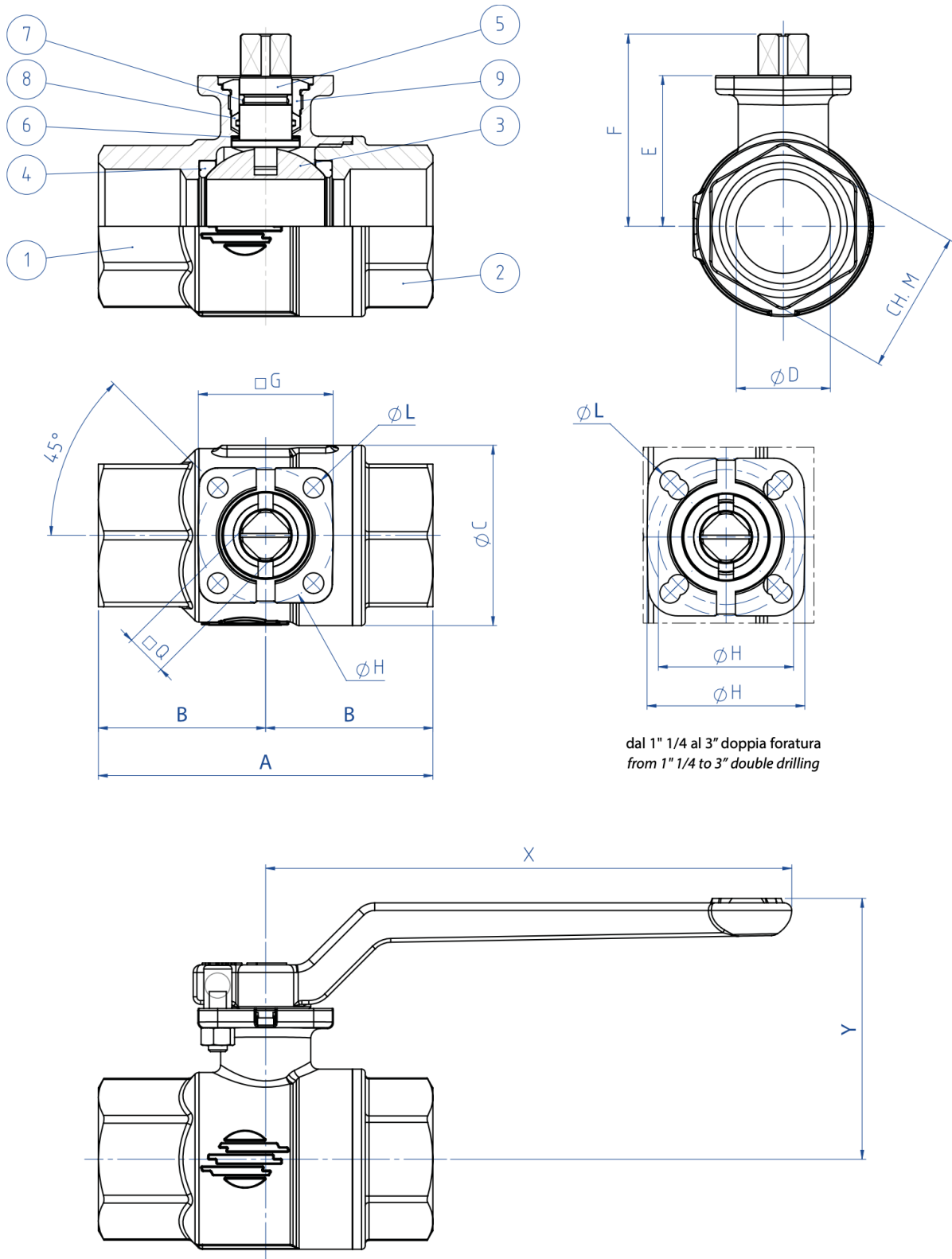
- The valve is suitable for medium pressures on condition that non aggressive fluids are used.
- Working temperature: from -20°C to +150°C for fluids.
- Working pressure: see diagram.
- Fluid range: air, water, oil, gas, petroliferous and petrochemical products, vacuum.
- Threaded ends as per ISO 7/1 and NPT specifications.
- ISO 5211 flange connection.
- **Available version with self-scraping ball profile seal, suitable to be used with dirty fluids or with solid particles inside**

ON REQUEST:

- For other applications, please contact our technical department.

CERTIFICATIONS:

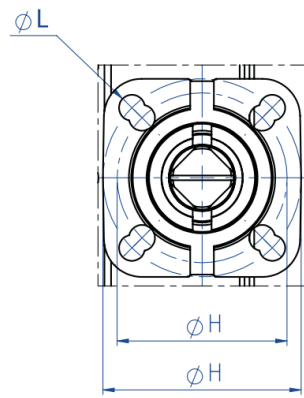
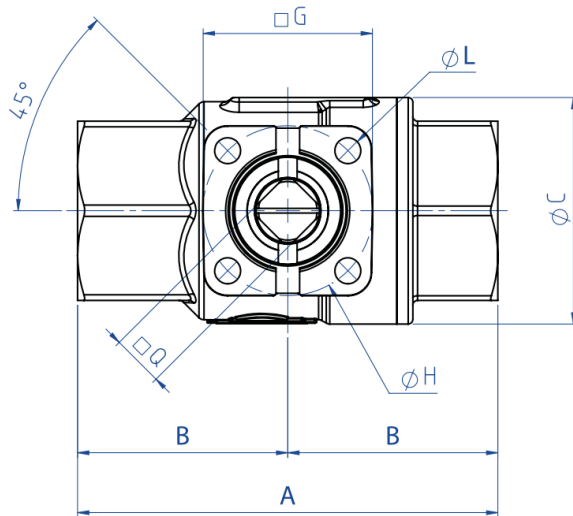
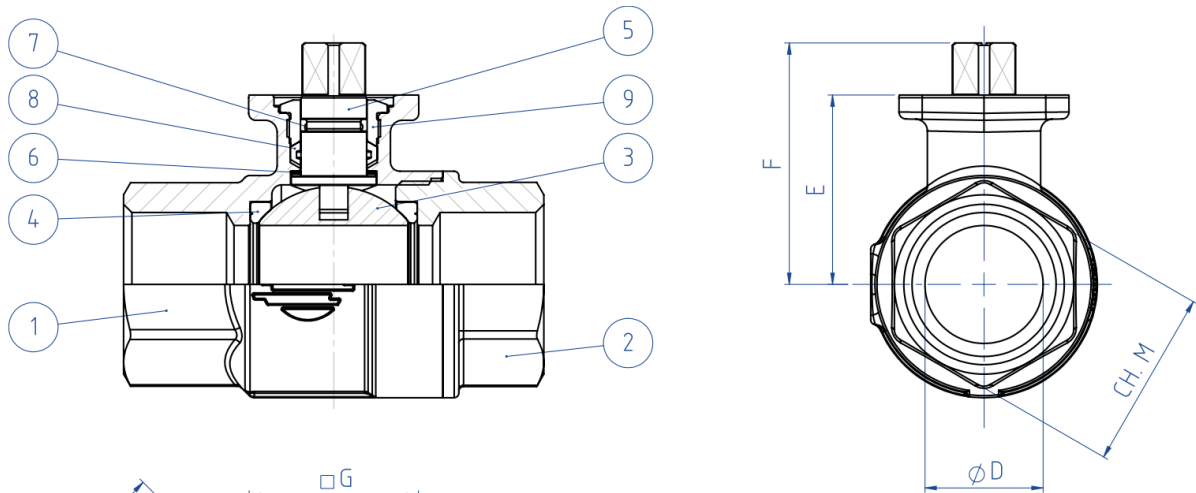
- According to 2014/68/EU "PED"
- ATEX version in conformity with directive 2014/34/EU on request

dimensions


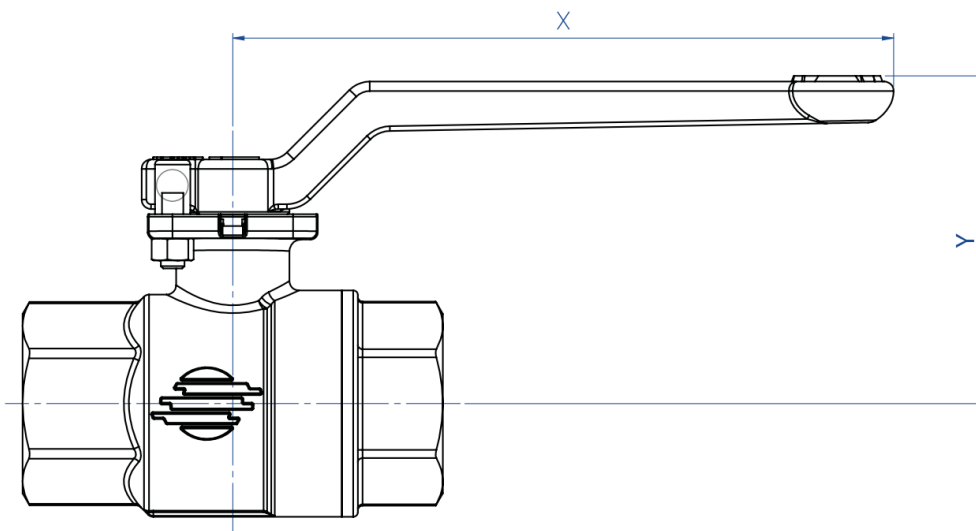
DIMENSIONS

SIZE		ØD	ISO 7/1		NPT		Øc	□Q	E	F	G	ØH	ISO	ØL	ch.M	X	Y
DN [mm]	[inch]		A	B	A	B											
DN 10	3/8"	10	69	34,5	62	31	31,8	9	30,5	38,5	36	36	F03	5,5	25	140	58,5
DN 15	1/2"	15	69	34,5	62	31	31,8	9	30,5	38,5	36	36	F03	5,5	25	140	58,5
DN 20	3/4"	20	77	38,5	68	34	40	11	36,3	47,1	36	36	F03	5,5	31	140	65
DN 25	1"	25	89	44,5	79,5	39,8	48	11	40,2	50,9	36	36	F03	5,5	38	140	68
DN 32	1" 1/4"	32	103	51,5	92	46	60	11	51,5	62,5	42	36/42	F03/F04	5,5	47	140	80
DN 40	1" 1/2"	40	114	57	102	51	70,6	11	58	69	42	36/42	F03/F04	5,5	54	140	86
DN 50	2"	50	134	67	116	58	88,5	11	65,3	76,3	46	42/50	F04/F05	5,5/6,5	66	140	93,5
DN 65	2" 1/2"	65	161	80,5	146	73	112	14	83	97	65	50/70	F05/F07	6,5/8,5	84	212	118
DN 80	3"	80	185	92,5	168	84	138,4	14	94,5	108,5	65	50/70	F05/F07	6,5/8,5	98	212	127,5

materials



dal 1" 1/4 al 3" doppia foratura
 from 1" 1/4 to 3" double drilling

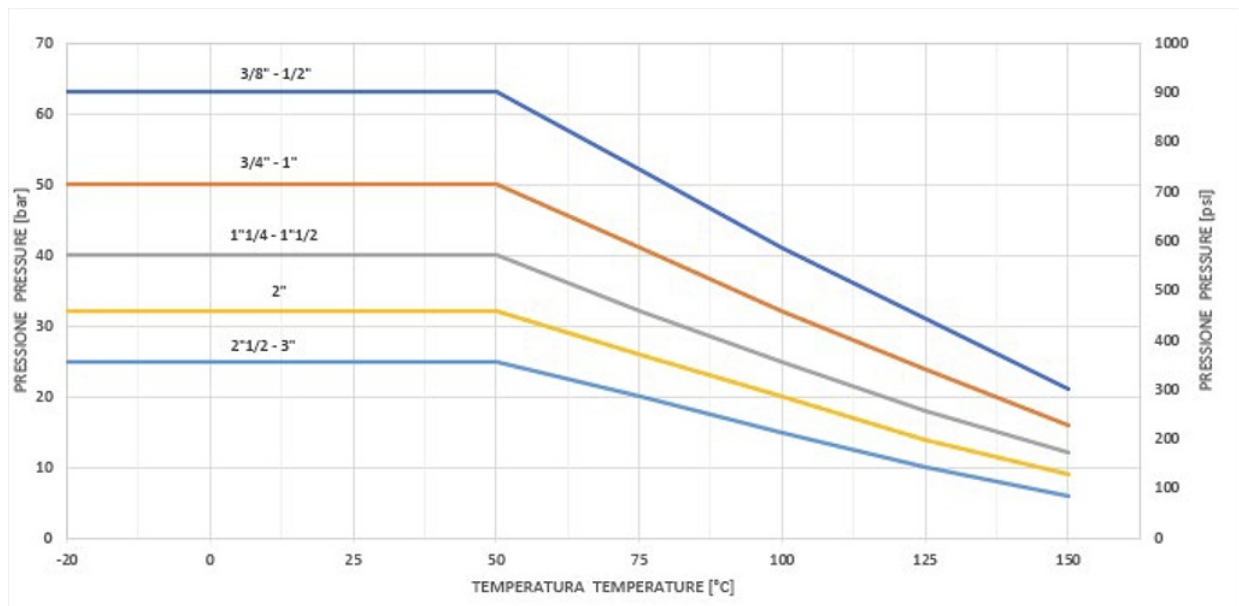


MATERIALS

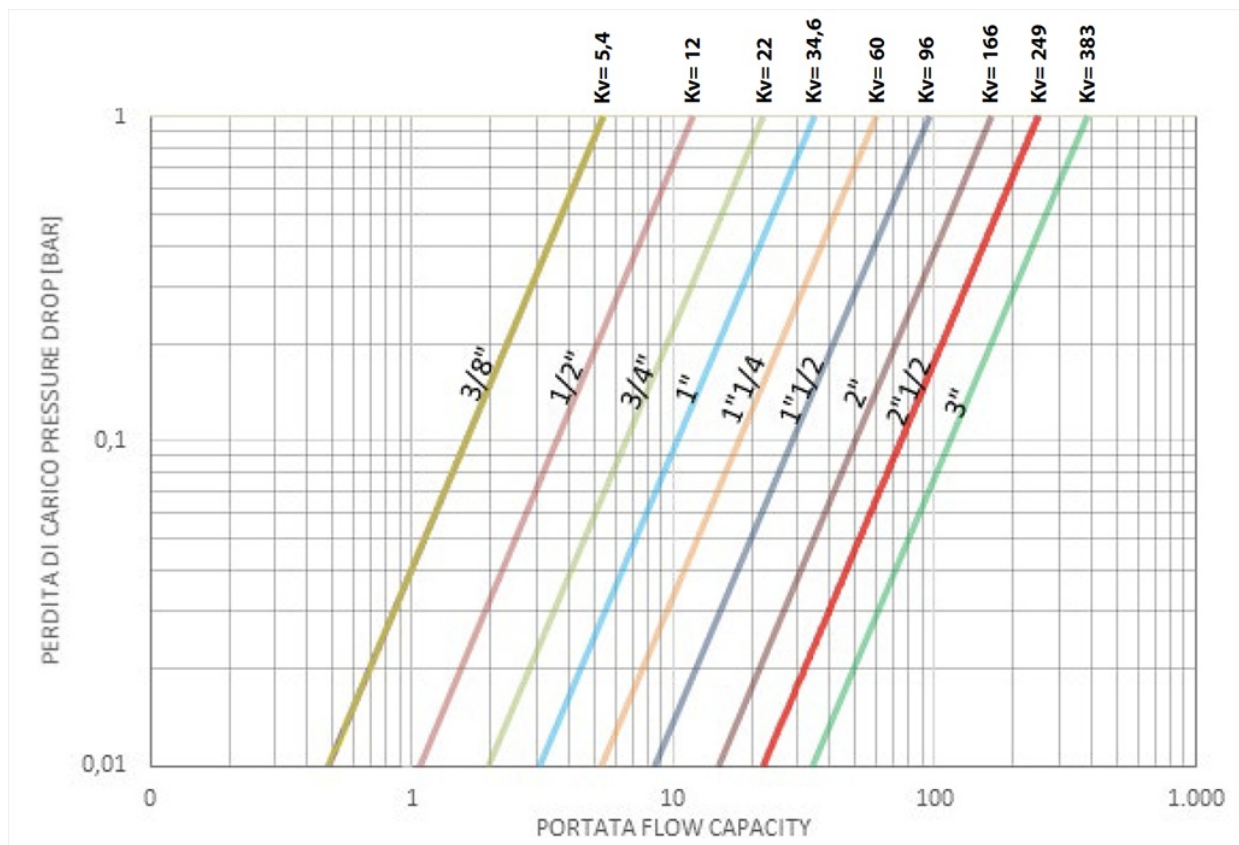
1	Body*	Brass	EN 12165 CW617N
2	Threaded ends*	Brass	EN 12165 CW617N
3	Ball	Brass chromium plated	EN 12164 CW614N
4	Seals	P.T.F.E.	
5	Shaft	Brass	EN 12164 CW614N
6	Antifriction rings	P.T.F.E.	
7	O-ring	FKM	
8	Shaft seal	P.T.F.E.	
9	Gland nut*	Brass	EN 12164 CW614N
* Surface treatment: bright nickel plating			

diagrams and breakaway torque

Pressure/temperature diagram



Flow/pressure loss diagram and Kv nominal coefficient



Kv is the coefficient, expressed in m³/h (with water at 15°C) causing a pressure loss of 1 bar.

BREAKAWAY TORQUES Nm									
SIZE	DN 10 3/8"	DN 15 1/2"	DN 20 3/4"	DN 25 1"	DN 32 1"1/4	DN 40 1"1/2	DN 50 2"	DN 65 2"1/2	DN 80 3"
PN 25 bar								48	70
PN 32 bar							23		
PN 40 bar					11	16			
PN 50 bar			5	8					
PN 64 bar	4	4							

Torque can vary depending on temperature and type of fluid; a safety factor of 1.4 must be applied. Torque can drop on high frequency of operations. The actuator/valve sizing, indicated on the following pages, are based for valves to be used with liquids or gaseous fluids, clean, and for medium temperatures. For further information, or different uses please contact our sales department.

documents

Certificati

PED

ATEX - Ball Valves

Istruzioni

ISTRUZIONI ATEX 8_0486

ISTRUZIONI USO 8_0844-02