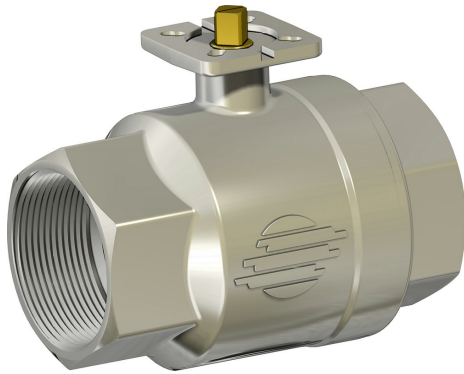


Warning: filectime(): stat failed for /var/www/vhost/www.omal.it/htdocs/https://www.omal.it./FilesProdotti/Certificato-PED-DNV.pdf in /var/www/vhost/www.omal.it/htdocs/prodotto-printable.php on line 65

Warning: filectime(): stat failed for /var/www/vhost/www.omal.it/htdocs/https://www.omal.it./FilesProdotti/80844-01-ITEM100-IT-EN-DE-ES-0723.pdf in /var/www/vhost/www.omal.it/htdocs/prodotto-printable.php on line 65

Item 100 brass ball valve



Macro Ball valves

Category Other brass ball valves

2-way full-bore threaded-ends brass ball valve

features

GENERAL FEATURES:

- The valve is suitable for low pressures on condition that non aggressive fluids are used.
- Working temperature: from -20°C to +150°C for fluids.
- Working pressure: see diagram.
- Fluid range: water, oil, gas and light applications.
- Threaded ends as per ISO 7/1 specifications.
- ISO 5211 flange connection.

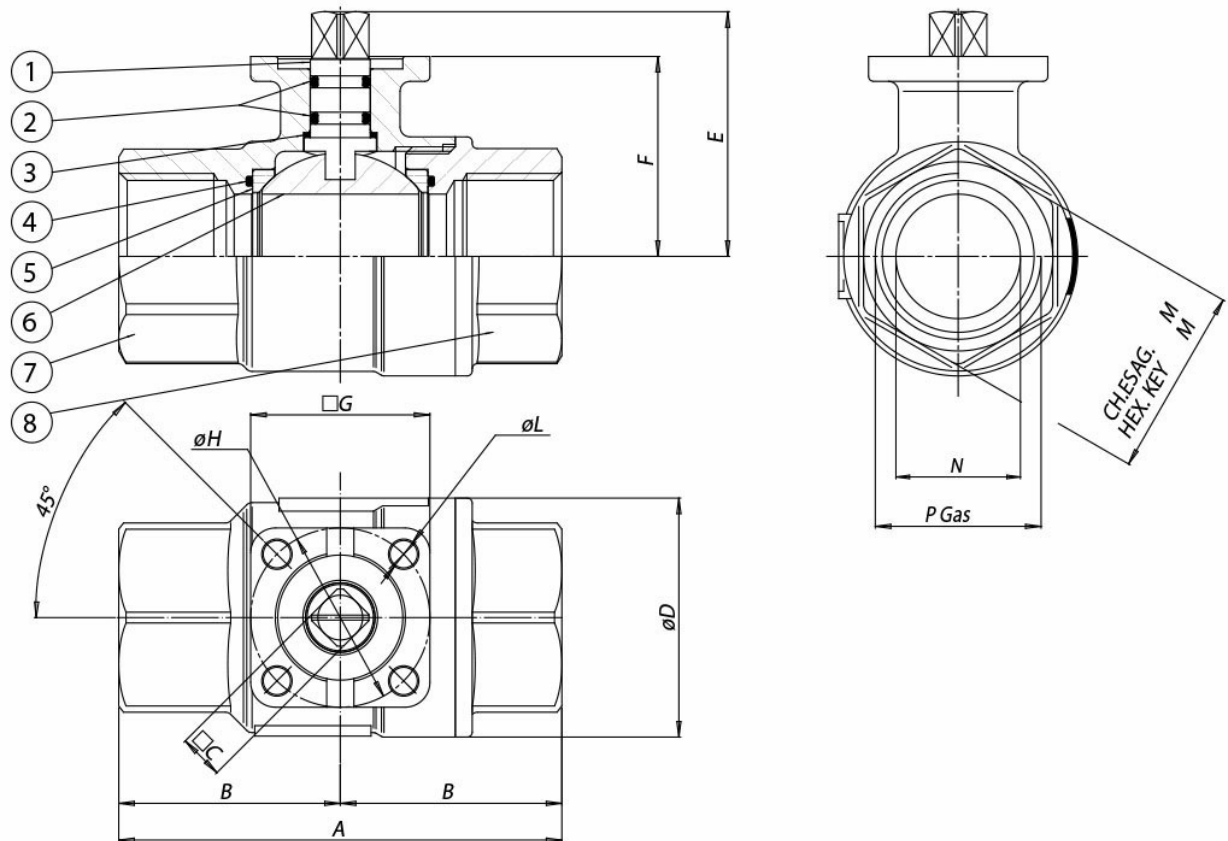
ON REQUEST:

- For other applications, please contact our technical department.

CERTIFICATIONS:

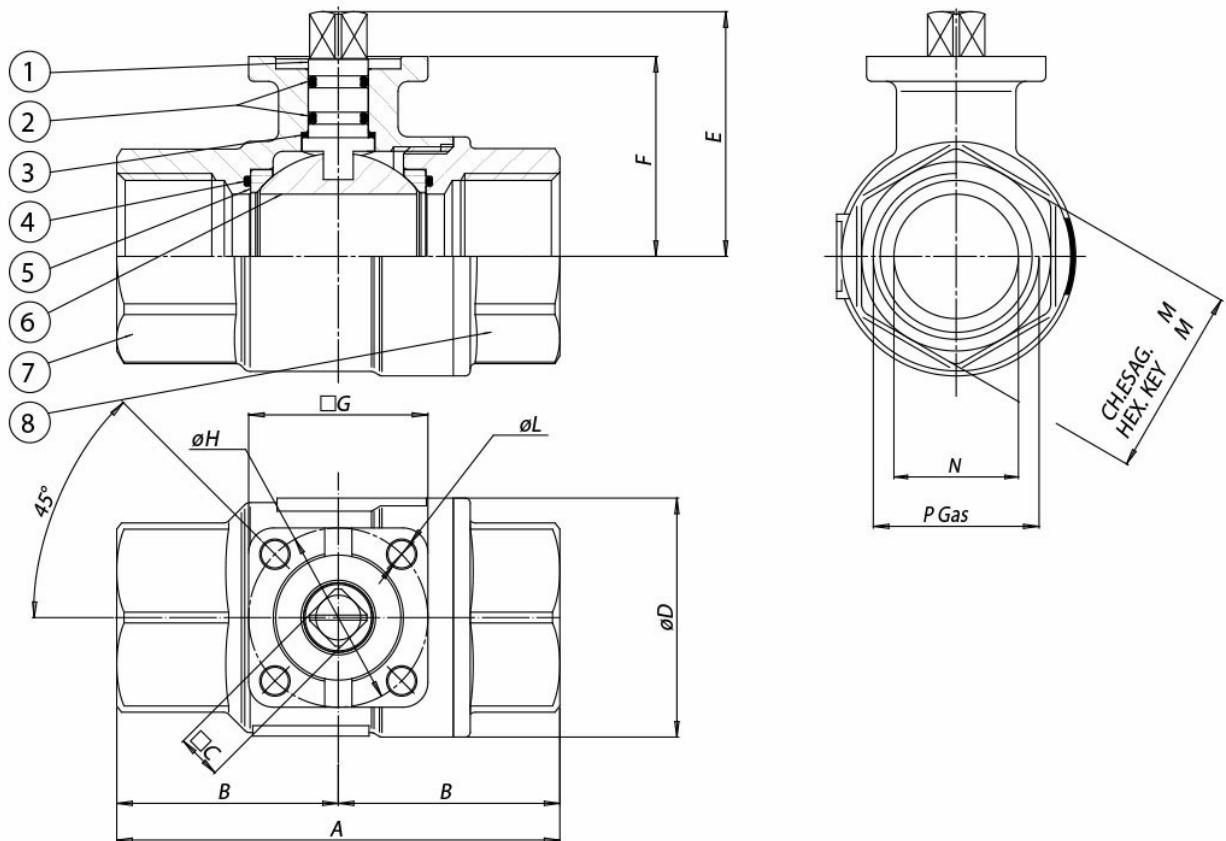
- According to 2014/68/EU "PED"

dimensions



DIMENSIONS												
SIZE		A	B	$\square C$	ϕD	E	F	$\square G$	ϕH	ϕL	ch.M	N
DN [mm]	[inch]											
DN 10	3/8"	69	34,5	9	31,8	38,5	29,5	36	36	5,5	25	10
DN 15	1/2"	69	34,5	9	31,8	38,5	29,5	36	36	5,5	25	15
DN 20	3/4"	77	38,5	9	40	45,3	36,3	36	36	5,5	31	20
DN 25	1"	89	44,5	9	48	49,2	40,2	36	36	5,5	38	25
DN 32	1" 1/4	103	51,5	11	62	59,6	50,5	42	36	5,5	47	32
DN 40	1" 1/2	114	57	11	72,6	66,2	57	42	36	5,5	54	40
DN 50	2"	134	67	11	88,5	75,5	64,3	46	36/42	5,5	66	50

materials

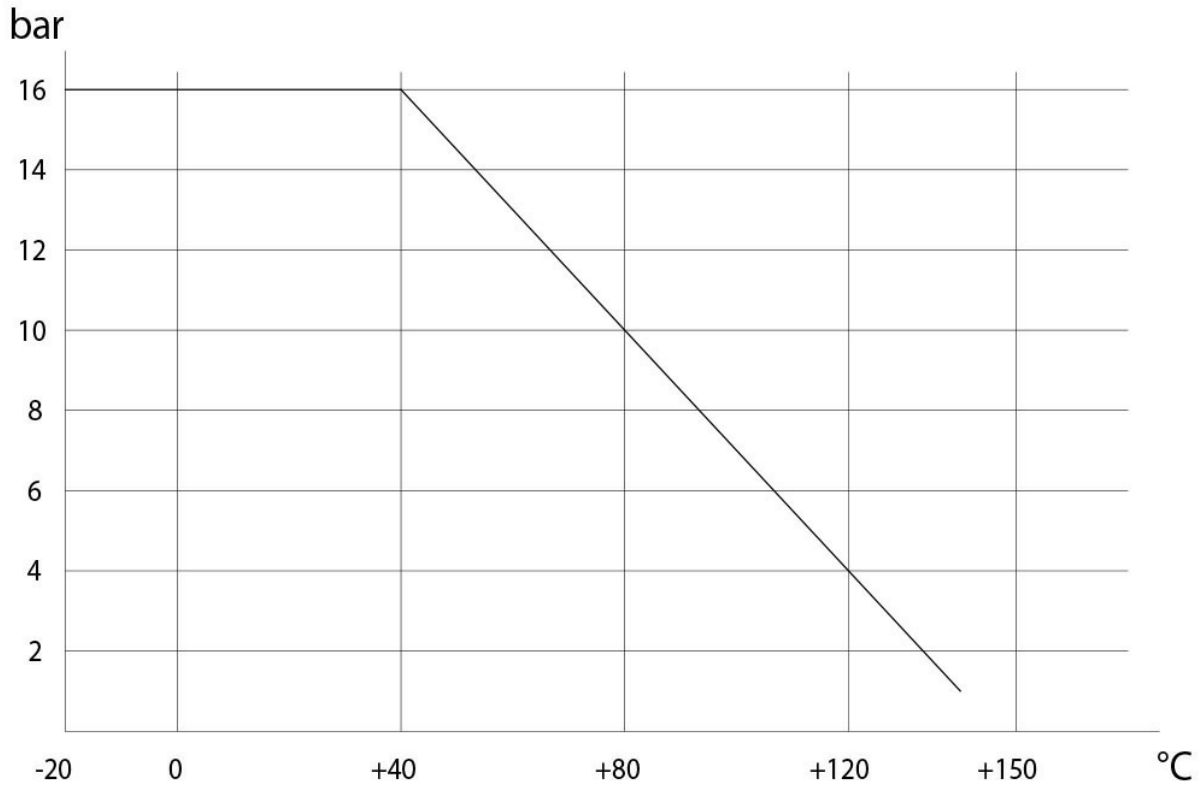


MATERIALS

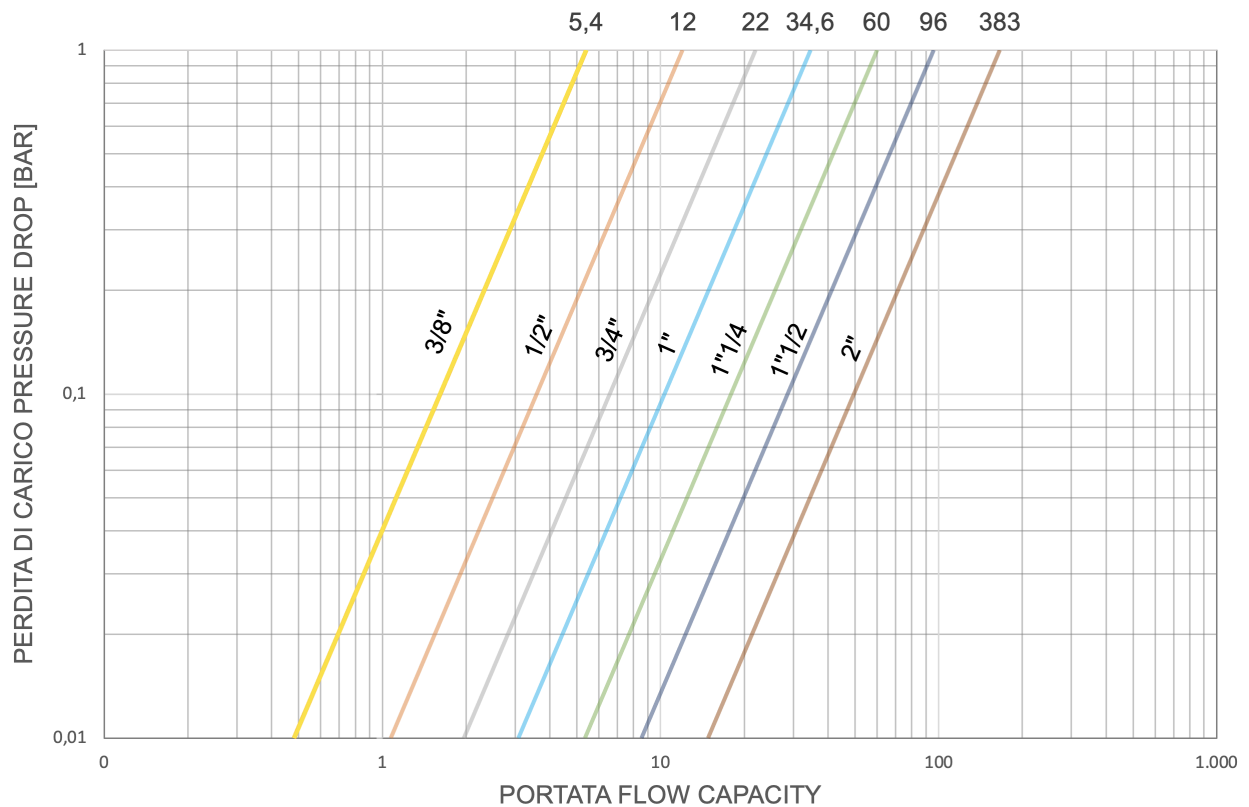
1	Shaft	Brass	EN 12164 CW614N
2	O-ring	FKM	
3	Antifriction rings	P.T.F.E.	
4	O-ring	FKM	
5	Seals	P.T.F.E.	
6	Ball	Brass chromium plated	EN 12164 CW614N
7	Body*	Brass	EN 12165 CW617N
8	Threaded end*	Brass	EN 12165 CW617N
* Surface treatment: bright nickel plating			

diagrams and breakaway torque

Pressure/temperature diagram



Flow/pressure loss diagram and Kv nominal coefficient



Kv is the coefficient, expressed in m³/h (with water at 15°C) causing a pressure loss of 1 bar.

BREAKAWAY TORQUES Nm							
SIZE	DN 10 3/8"	DN 15 1/2"	DN 20 3/4"	DN 25 1"	DN 32 1 1/4"	DN 40 1 1/2"	DN 50 2"
PN 16 bar	3	3	4	5	7	9	15

Torque can vary depending on temperature and type of fluid; a safety factor of 1.4 must be applied. Torque can drop on high frequency of operations. The actuator/valve sizing, indicated on the following pages, are based for valves to be used with liquids or gaseous fluids, clean, and for medium temperatures. For further information, or different uses please contact our technical department.

documents

Certificati

[PED](#)

Istruzioni

[ISTRUZIONI USO 8_0844-01](#)