

Warning: filectime(): stat failed for /var/www/vhost/www.omal.it/htdocs/https://www.omal.it./FilesProdotti/TA-LUFT.pdf in /var/www/vhost/www.omal.it/htdocs/prodotto-printable.php on line 65

Warning: filectime(): stat failed for /var/www/vhost/www.omal.it/htdocs/https://www.omal.it./FilesProdotti/RICEVUTADEPOSITOF.T.ATEXN.VS-19.pdf in /var/www/vhost/www.omal.it/htdocs/prodotto-printable.php on line 65

Warning: filectime(): stat failed for /var/www/vhost/www.omal.it/htdocs/https://www.omal.it./FilesProdotti/Certificate-202053402-OMAL-ValvoleMagnum-Thor-new.pdf in /var/www/vhost/www.omal.it/htdocs/prodotto-printable.php on line 65

Warning: filectime(): stat failed for /var/www/vhost/www.omal.it/htdocs/https://www.omal.it./FilesProdotti/FG-063579-645FUGITIVEEMISSIONDN25CL.300TI-T2-T3-M1-M4-M5-M6.pdf in /var/www/vhost/www.omal.it/htdocs/prodotto-printable.php on line 65

Warning: filectime(): stat failed for /var/www/vhost/www.omal.it/htdocs/https://www.omal.it./FilesProdotti/FG-063579-646FUGITIVEEMISSIONDN100CL.300THORTI-T2-T3-M1-M4-M5-M6.pdf in /var/www/vhost/www.omal.it/htdocs/prodotto-printable.php on line 65

Warning: filectime(): stat failed for /var/www/vhost/www.omal.it/htdocs/https://www.omal.it./FilesProdotti/FS-063579-458WAFER-MAGNUMA105-DN15-100-CL150-300-PN16-40A105.pdf in /var/www/vhost/www.omal.it/htdocs/prodotto-printable.php on line 65

Warning: filectime(): stat failed for /var/www/vhost/www.omal.it/htdocs/https://www.omal.it./FilesProdotti/Certificato-PED-DNV.pdf in /var/www/vhost/www.omal.it/htdocs/prodotto-printable.php on line 65

Warning: filectime(): stat failed for /var/www/vhost/www.omal.it/htdocs/https://www.omal.it./FilesProdotti/80486-ValvoleasferaATEX-IT-EN.pdf in /var/www/vhost/www.omal.it/htdocs/prodotto-printable.php on line 65

Warning: filectime(): stat failed for /var/www/vhost/www.omal.it/htdocs/https://www.omal.it./FilesProdotti/80844-30-ValvolaasferaMagnumWaferM1-IT-EN-DE-ES-0522.pdf in /var/www/vhost/www.omal.it/htdocs/prodotto-printable.php on line 65

Warning: filectime(): stat failed for /var/www/vhost/www.omal.it/htdocs/https://www.omal.it./FilesProdotti/UMAH1000-IT-01-21.pdf in /var/www/vhost/www.omal.it/htdocs/prodotto-printable.php on line 65

MAGNUM Wafer PN 16-40 ANSI 150-300 carbon steel ball valve



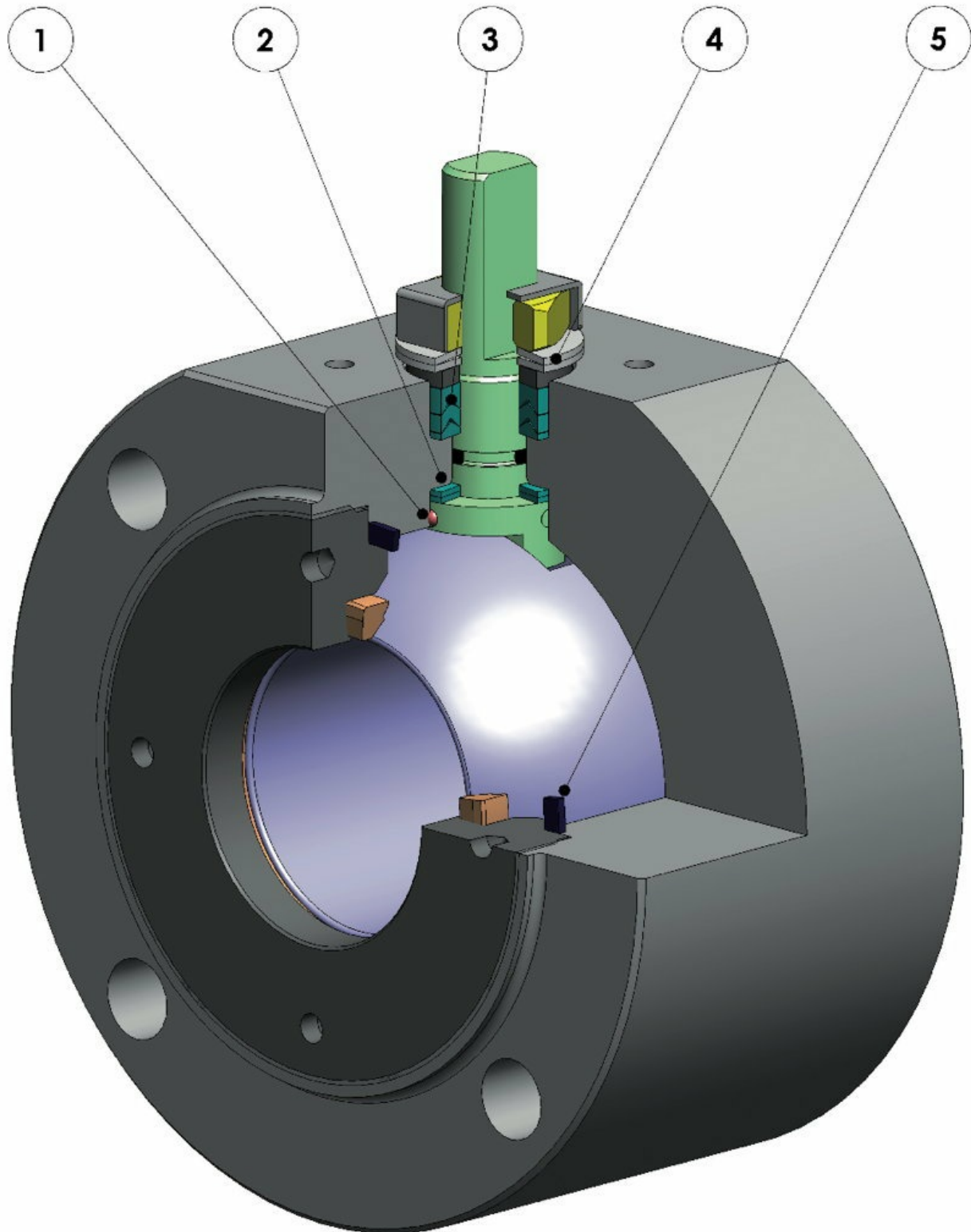
Macro [Ball valves](#)

Category [MAGNUM](#)

Subcategory [MAGNUM Wafer](#)

Family [MAGNUM Wafer PN 16-40 ANSI 150-300](#)

benefits



1. Antistatic device (electrical continuity between ball, stem and body)

Static electricity is avoided which can cause sparks and fire in an inflammable/explosive environment
Contact safety throughout the entire life of the valve

2. Double antifriction washer

Less Breakaway Torque is granted
Less wear comparing with the execution with the single washer

3. "V" seals pack; 3 seals + o-ring

It ensures a perfect tightness even after a high number of cycles

4. Spring washer on the shaft seal

Guarantee of the recovery of the gap due to the wear caused by the rotational movement of the shaft avoiding leakage towards the outside part.

Allow to maintain energized the "chevron" seals (V), thus avoiding any leakage to the outside, against huge temperature excursions

5. Stretch Graphite seal on request

Tightness towards outside is granted, independently by the thermal excursions to which the valve is subjected

Greater precision in the alignment of axes due to a unique positioning in the process machining from raw material to finished valve

Longer lifetime of the valve
Less breakaway torque

Valve body in carbon steel made with NACE certified material as standard

Greater corrosion resistance
Greater ductility of the material

100% in- house manufacturing process technology

Maximum control and accuracy in all the stages of the manufacturing process
Flexibility in supply quickly special executions requested by customers

"Fire safe" Certificate

Guarantees the tightness of the valve also in case of fire

ATEX Certificate

Installation is possible in a potential explosive environment

TA LUFT fugitive emission Certificate

High level of safety of the tightness towards the outside is granted

PED Certificate

Full compliance with European Safety Standards for Pressure Equipment

UP to SIL 3 certified

Guarantee of the high level of functional safety

features

STANDARD FEATURES

- No protruding floating ball, full bore
- Soft-seat seal Modified PTFE
- Standard for connecting flanges: EN 1092-1; ASME B16.5
- Operating temperature see temperature pressure diagram
- Pressure Class: PN16-40; ANSI 150-300
- Tightness Class: EN12266-1 rate A
- Intercepted fluid: air, water, gas, petroleum and petrochemical products.
- Antistatic device EN12266-2
- Stem seal: Modified PTFE V-pack
- Additional seal on stem with FKM O-ring
- Anti Blow-out stem
- Actuator connection as per standard ISO 5211
- Closing angle >7°
- Superficial treatment: blueing

FEATURES ON REQUEST

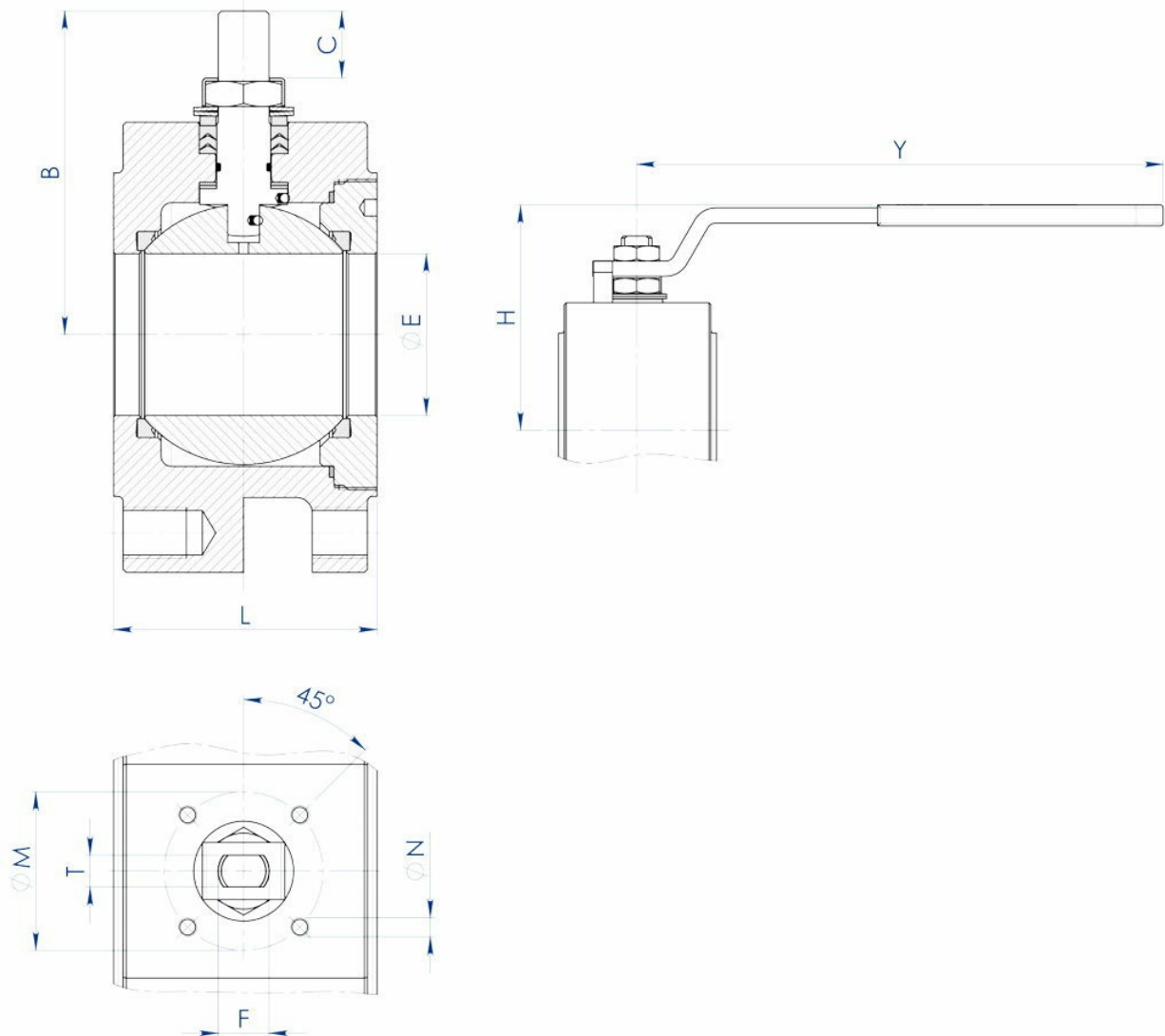
- LF2 carbon steel for low temperature execution (-40 C°)
- For other flange types please contact our sales department
- Heating jacket
- Sealing in: PTFE reinforced with glass (PTFE-GF), PTFE reinforced with carbon-graphite (PTFE-CF). For other types of materials please contact our sales department
- Mono-directional version with pressure-relief hole in the ball
- Stainless steel lever . For versions in materials different from the standard (body, ball, stem), please contact our sales department.
- Stainless steel Stem nuts and springs
- Superficial treatment: white zinc coating, epoxy coating (for other coating please contact our sales department)
- ATEX marking and certificate ON REQUEST

CERTIFICATIONS

- In compliance with European Directive 2014/68/EU PED.
- Fugitive Emission ISO 15848 (ISO FE BH-C03-SSA 0).
- TA-LUFT VDI 2440.
- FIRE SAFE: ISO 10497 Third ed. 2010 / API 607 Sixth ed. 2010.
- Safety integrity level up to SIL 3 according to IEC 61508.
- In compliance with ATEX 2014/34/EU European Directive (ATEX certificate ON REQUEST).

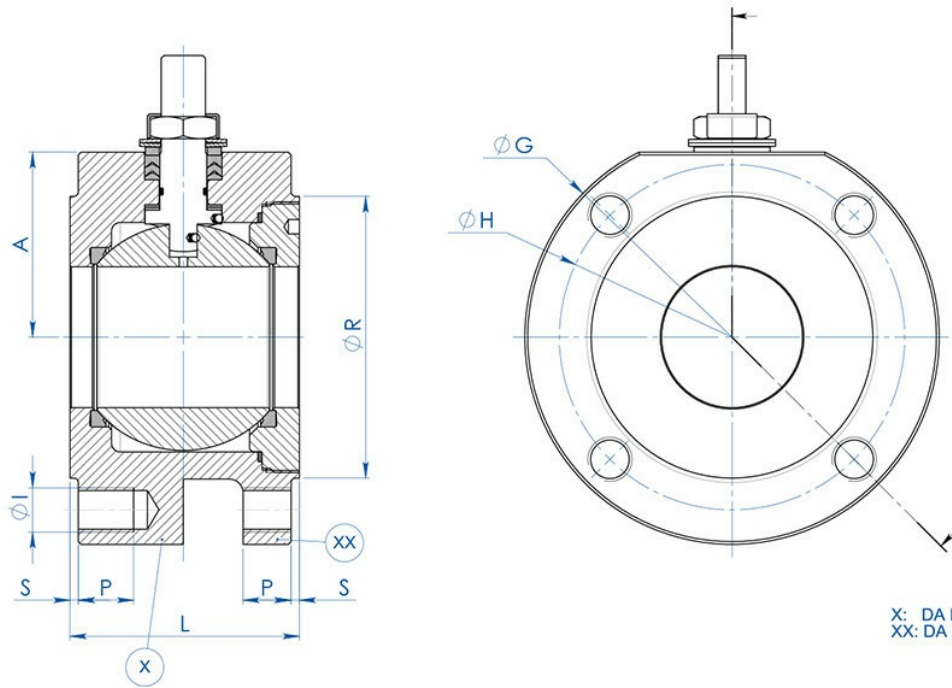
ENGINEERING STANDARDS

- Body thickness in compliance with: ASME B16.34, ASME VIII div.1, EN 12516.
- Materials and rating in compliance with ASME B16.34 for ANSI valves and EN 12516 for PN valves

dimensions


| DIMENSIONS | | | | | | | | | | | | |
|------------|--------|----|---------|-------|----|---------|-----|-----|-------|-----|-----|-----------|
| SIZE | | øE | L | B | C | ATT.ISO | øM | øN | F/T | H | Y | LEVER KIT |
| DN [mm] | [inch] | | | | | | | | | | | |
| DN 15 | 1/2" | 13 | 36 | 52 | 10 | F03 | 36 | M5 | 10/6 | 71 | 140 | KLV58004 |
| DN 20 | 3/4" | 19 | 39 | 55 | 10 | F03 | 36 | M5 | 10/6 | 73 | 140 | KLV58004 |
| DN 25 | 1" | 25 | 43 | 68 | 15 | F04 | 42 | M5 | 12/8 | 87 | 150 | KLV58006 |
| DN 32 | 1" 1/4 | 32 | 51 o 54 | 73 | 15 | F04 | 42 | M5 | 12/8 | 91 | 150 | KLV58006 |
| DN 40 | 1" 1/2 | 38 | 63 | 93 | 21 | F05 | 50 | M6 | 16/10 | 108 | 275 | KLV58008 |
| DN 50 | 2" | 51 | 83 | 102 | 21 | F05 | 50 | M6 | 16/10 | 118 | 275 | KLV58008 |
| DN 65 | 2" 1/2 | 64 | 107 | 130,5 | 28 | F07 | 70 | M8 | 22/14 | 143 | 350 | KLV58010 |
| DN 80 | 3" | 76 | 120 | 137,5 | 28 | F07 | 70 | M8 | 22/14 | 150 | 350 | KLV58010 |
| DN 100 | 4" | 95 | 152 | 166 | 35 | F10 | 102 | M10 | 30/18 | 192 | 450 | KLV58012 |

All valves have no protruding ball except DN32 (face to face 51 mm).



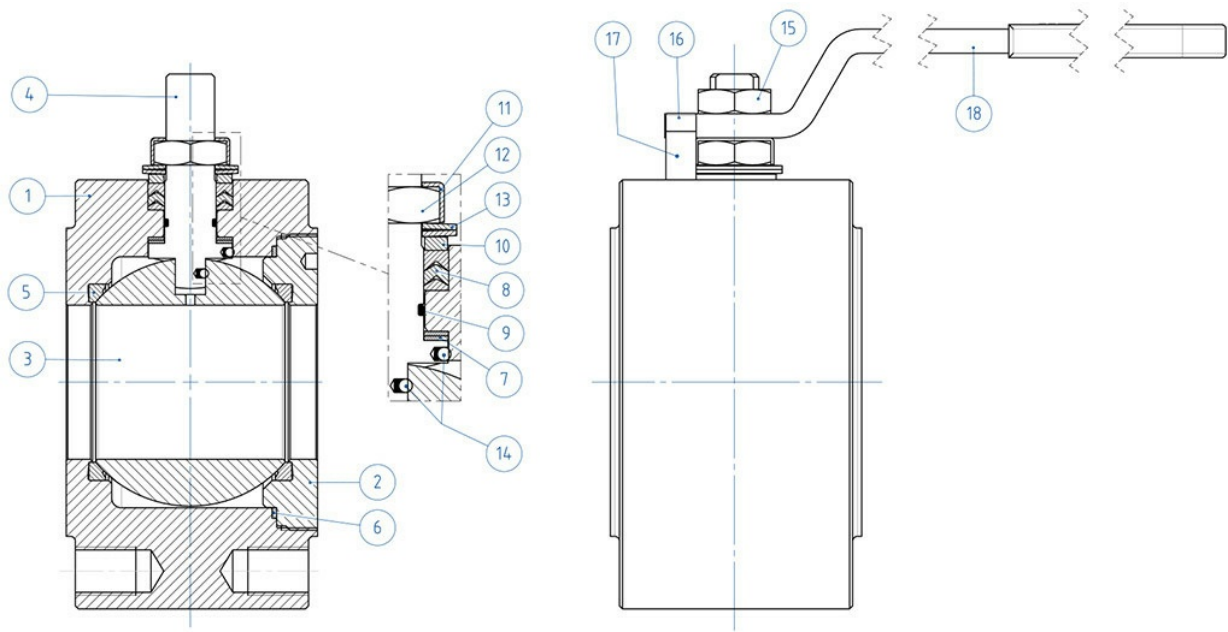
X: DA BARRA (BAR STOCK EXECUTION)
 XX: DA FUSIONE (CASTING EXECUTION)

| SIZE | | DIMENSIONS -PN- | | | | | | | | | | | | |
|---------|--------|-----------------|-----|-----|-----|---|-----|----------|-----|----|-----|---------|----------|------------|
| DN [mm] | [inch] | PN | A | ØG | ØR | S | ØH | HOLES N° | ØI | P | L | Kg. (X) | Kg. (XX) | SEALS KIT |
| DN 15 | 1/2" | PN 16-40 | 32 | 90 | 45 | 1 | 65 | 4 | M12 | 14 | 36 | 1,4 | - | KGBV480040 |
| DN 20 | 3/4" | PN 16-40 | 35 | 100 | 58 | 2 | 75 | 4 | M12 | 14 | 39 | 1,8 | - | KGBV480050 |
| DN 25 | 1" | PN 16-40 | 42 | 110 | 68 | 2 | 85 | 4 | M12 | 16 | 43 | 2,5 | - | KGBV480060 |
| DN 32 | 1" 1/4 | PN 16-40 | 47 | 130 | 78 | 2 | 100 | 4 | M16 | 20 | 51* | 4,0 | - | KGBV480070 |
| DN 32 | 1" 1/4 | PN 16-40 | 47 | 130 | 78 | 2 | 100 | 4 | M16 | 20 | 54 | 4,3 | - | KGBV480070 |
| DN 40 | 1" 1/2 | PN 16-40 | 58 | 140 | 88 | 3 | 110 | 4 | M16 | 20 | 63 | 5,9 | - | KGBV480080 |
| DN 50 | 2" | PN 16-40 | 67 | 150 | 102 | 3 | 125 | 4 | M16 | 20 | 83 | 8,9 | 6,3 | KGBV480090 |
| DN 65 | 2" 1/2 | PN16 | 83 | 178 | 122 | 3 | 145 | 4 | M16 | 20 | 107 | 16,2 | 9,7 | KGBV480100 |
| DN 65 | 2" 1/2 | PN 25-40 | 83 | 178 | 122 | 3 | 145 | 8 | M16 | 20 | 107 | 16,1 | - | KGBV480100 |
| DN80 | 3" | PN 16-40 | 90 | 190 | 138 | 3 | 160 | 8 | M16 | 20 | 120 | 20,0 | 12,5 | KGBV480110 |
| DN 100 | 4" | PN16 | 101 | 220 | 160 | 3 | 180 | 8 | M16 | 20 | 152 | 34,0 | 20,3 | KGBV480120 |
| DN 100 | 4" | PN 25-40 | 105 | 235 | 162 | 3 | 190 | 8 | M20 | 25 | 152 | 39,1 | - | KGBV480120 |

| DIMENSIONS -ANSI- | | | | | | | | | | | | | |
|-------------------|--------|----------|-----|-----|-----|-----|-------|-------------|---------|----|-----|---------|------------|
| SIZE | | ANSI | A | øG | øR | S | øH | HOLES N° | øI | P | L | Kg. (X) | SEALS KIT |
| DN [mm] | [inch] | | | | | | | | | | | | |
| DN 15 | 1/2" | ANSI 150 | 32 | 90 | 45 | 1 | 60,5 | 4 | 1/2"UNC | 14 | 36 | 1,4 | KGBV480040 |
| DN 15 | 1/2" | ANSI 300 | 34 | 90 | 45 | 1 | 66,5 | 4 | 1/2"UNC | 14 | 36 | 1,4 | KGBV480040 |
| DN 20 | 3/4" | ANSI 150 | 35 | 100 | 52 | 1,6 | 69,8 | 4 | 1/2"UNC | 14 | 39 | 1,8 | KGBV480050 |
| DN 20 | 3/4" | ANSI 300 | 40 | 110 | 52 | 1,6 | 82,6 | 4 | 5/8"UNC | 15 | 39 | 2,1 | KGBV480050 |
| DN 25 | 1" | ANSI 150 | 42 | 110 | 60 | 1,6 | 79,2 | 4 | 1/2"UNC | 16 | 43 | 2,5 | KGBV480060 |
| DN 25 | 1" | ANSI 300 | 45 | 118 | 60 | 1,6 | 88,9 | 4 | 5/8"UNC | 16 | 43 | 2,9 | KGBV480060 |
| DN 32 | 1" 1/4 | ANSI 150 | 47 | 118 | 72 | 1,6 | 88,9 | 4 | 1/2"UNC | 20 | 54 | 3,8 | KGBV480070 |
| DN 32 | 1" 1/4 | ANSI 300 | 47 | 130 | 72 | 1,6 | 98,6 | 4 | 5/8"UNC | 20 | 54 | 4,3 | KGBV480070 |
| DN 40 | 1" 1/2 | ANSI 150 | 58 | 127 | 82 | 1,6 | 98,6 | 4 | 1/2"UNC | 20 | 63 | 5,1 | KGBV480080 |
| DN 40 | 1" 1/2 | ANSI 300 | 58 | 150 | 82 | 1,6 | 114,3 | 4 | 3/4"UNC | 25 | 63 | 7,0 | KGBV480080 |
| DN 50 | 2" | ANSI 150 | 67 | 150 | 102 | 1,6 | 120,6 | 4 | 5/8"UNC | 20 | 83 | 9,1 | KGBV480090 |
| DN 50 | 2" | ANSI 300 | 73 | 160 | 102 | 1,6 | 127,0 | 8 | 5/8"UNC | 20 | 83 | 10,4 | KGBV480090 |
| DN 65 | 2" 1/2 | ANSI 150 | 83 | 178 | 122 | 1,6 | 139,7 | 4 | 5/8"UNC | 20 | 107 | 16,4 | KGBV480100 |
| DN 65 | 2" 1/2 | ANSI 300 | 89 | 190 | 122 | 1,6 | 149,4 | 8 | 3/4"UNC | 25 | 107 | 18,6 | KGBV480100 |
| DN 80 | 3" | ANSI 150 | 90 | 190 | 135 | 1,6 | 152,4 | 4 | 5/8"UNC | 20 | 120 | 20,4 | KGBV480110 |
| DN 80 | 3" | ANSI 300 | 96 | 205 | 138 | 1,6 | 168,1 | 8 | 3/4"UNC | 25 | 120 | 24,0 | KGBV480110 |
| DN 100 | 4" | ANSI 150 | 101 | 220 | 160 | 1,6 | 190,5 | 8 | 5/8"UNC | 20 | 152 | 34,0 | KGBV480120 |
| DN 100 | 4" | ANSI 300 | 115 | 250 | 160 | 1,6 | 200,2 | 8 | 3/4"UNC | 25 | 152 | 46,4 | KGBV480120 |

*Protruding ball

materials



| N° | Description | A105 Carbon steel | A350 LF2 Carbon steel |
|--------------------------|----------------------|--|-----------------------|
| 1 | Body | ASTM A105 | ASTM A350 LF2 |
| 2 | Ring nut | | |
| 3 | Ball | ASTM A351 CF8(*) (1.4308/Gx5CrNi19-10) | |
| 4 | Stem | ASTM A182F6A/A479 Tp.410 (**) | |
| 5* | Seat | Modified PTFE (.) | |
| 6* | Body-Ring nut gasket | Modified PTFE (.) | |
| 7* | Stem lower sealing | Modified PTFE (.) | |
| 8* | Chevron rings | Modified PTFE (.) | |
| 9* | Stem o-ring | FKM (.) | |
| 10 | Packing gland ring | Carbon steel galvanized (x) | |
| 11 | Stop nut plate | 304 S.S. | |
| 12 | Stem nut | Carbon steel galvanized (x) | |
| 13 | Springs washer | Carbon steel galvanized (xx) | |
| 14 | Antistatic device | 316 S.S. | |
| 15 | Lock nut | Carbon steel galvanized (x) | |
| 16 | Holder screw | A2-70 (304 S.S.) | |
| 17 | Holder screw | Carbon steel galvanized (x) | |
| 18 | Lever | Fe37 Galvanized (x) | |
| *Components of seals kit | | | |

Available on request:

(*): A351 CF8M

(**): A564 TP.630 (17-4PH)

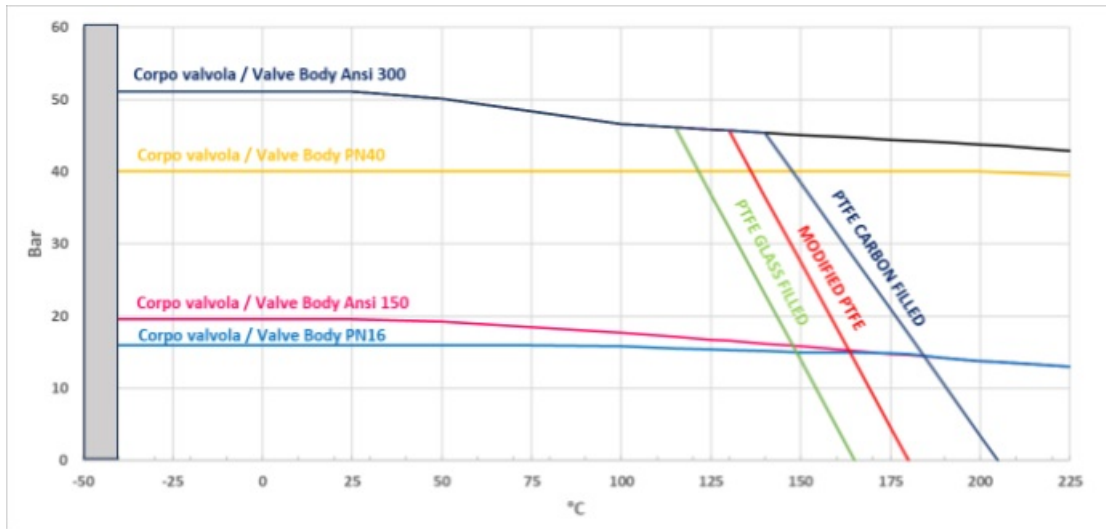
(x): 304 s.s.

(xx): 301 s.s.

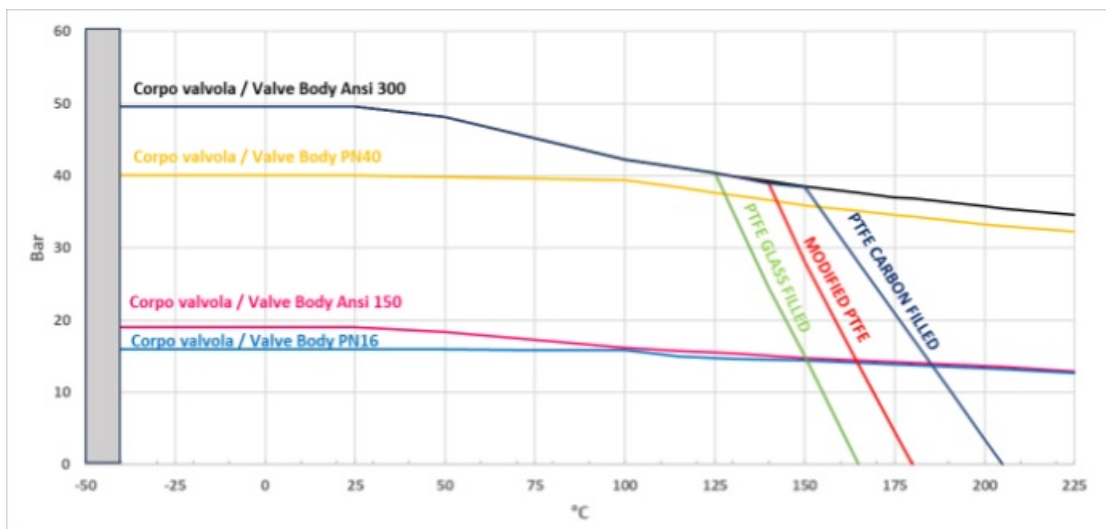
(.): Other materials available on request

diagrams and breakaway torque

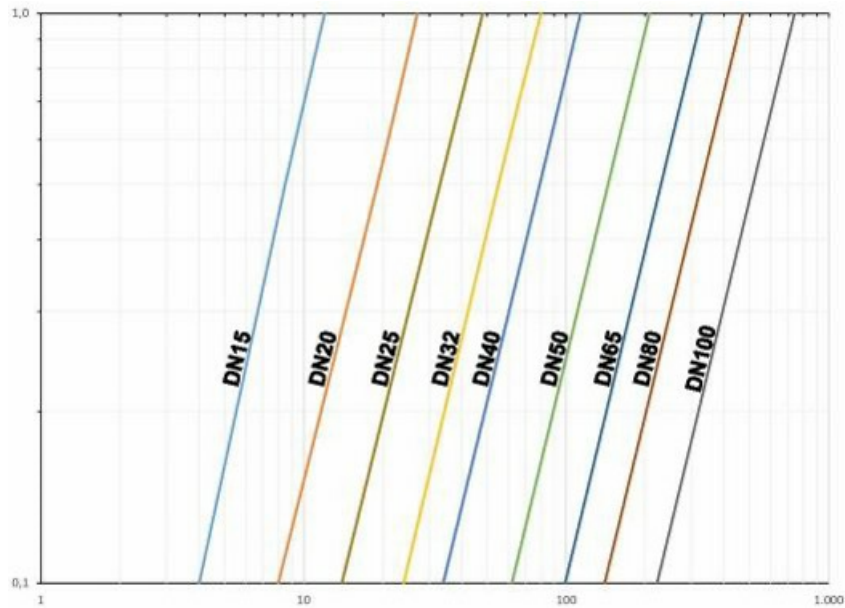
Temperature/pressure diagram for carbon steel valve



Temperature/pressure diagram for stainless steel valve



Flow/pressure loss diagram and Kv nominal coefficient

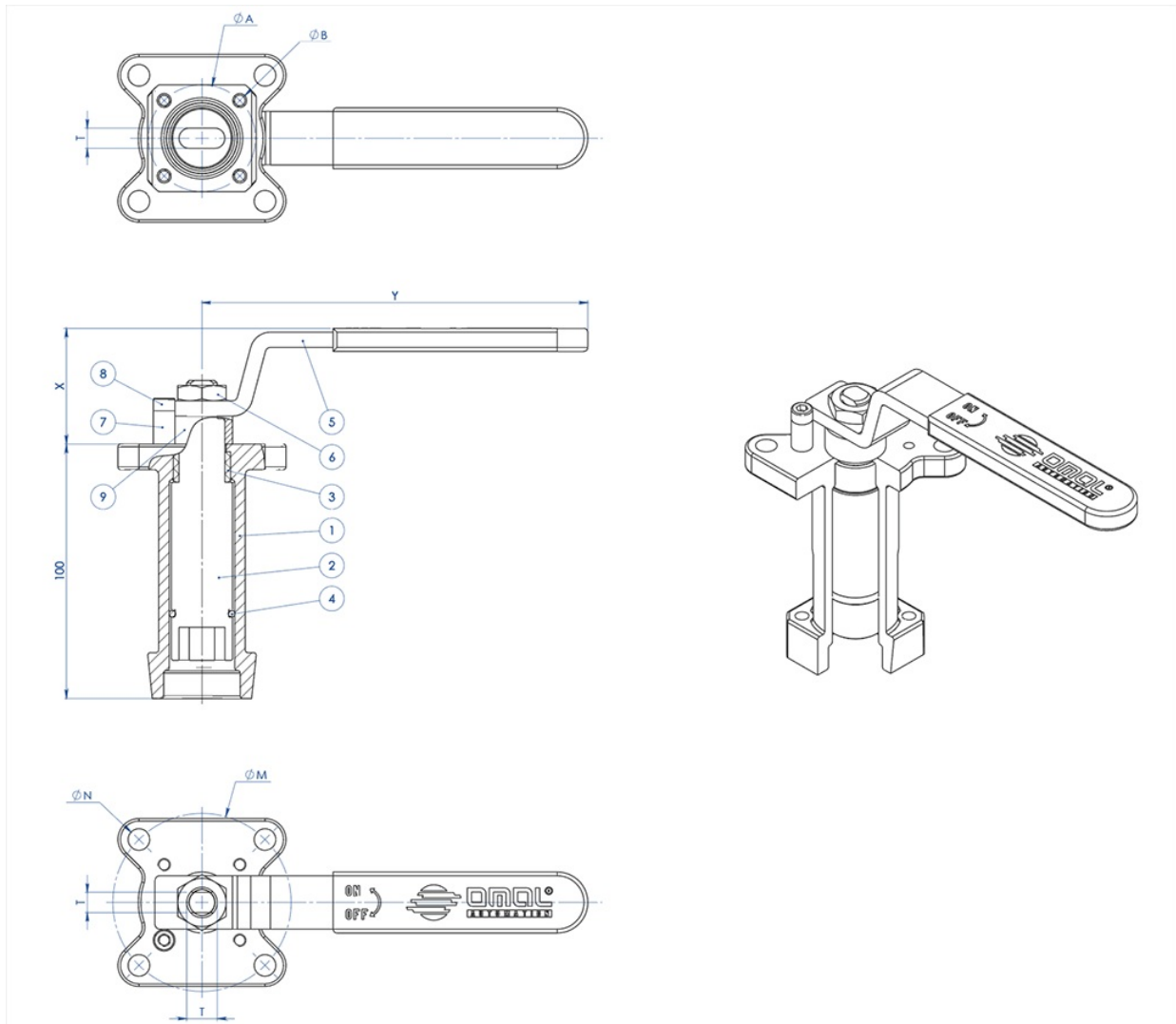


Kv is the coefficient, expressed in m³/h (with water at 15°C) causing a pressure loss of 1 bar.

| BREAKAWAY TORQUE IN Nm WITH TFM 1600 SEAT AND WATER INTERCEPTED FLUID (*) | | | | | | | | | |
|---|-------|-------|-------|-------|-------|-------|-------|-------|--------|
| SIZE | DN 15 | DN 20 | DN 25 | DN 32 | DN 40 | DN 50 | DN 65 | DN 80 | DN 100 |
| 0 bar | | | | | | | | | |
| PN16 bar | 8 | 13 | 18 | 27 | 37 | 61 | 80 | 120 | 215 |
| PN25 bar | 9,5 | 15 | 20 | 29 | 40 | 67 | 95 | 130 | 230 |
| PN40 bar | 11 | 17 | 21 | 31 | 41 | 75 | 110 | 165 | 280 |
| ANSI 150-20 bar | 9 | 14 | 19 | 28 | 38 | 65 | 90 | 128 | 220 |
| ANSI 300-50 bar | 12 | 19 | 21 | 32 | 42 | 80 | 120 | 170 | 290 |

(*): If not lubricated fluids and/or fluids containing solid particles are intercepted, torques could be higher than those in the table. Torque can vary depending on temperature and type of fluid, a safety factor 1.4 must be applied. Torque can drop on high frequency of operation.

The sizing of pneumatic actuators has been done considering a minimum supply pressure of 5,6 barg.

accessories
CASTING STEM EXTENSION WITH LEVER

MATERIALS

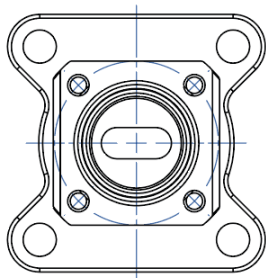
| PART. N° | DESCRIPTION | MATERIAL |
|----------|--------------|-----------------------------|
| 1 | Extension | AISI304 S.S. |
| 2 | Pin | AISI 430 F |
| 3 | Bush | DELRIN |
| 4 | O-RING | NBR |
| 5 | Lever | Fe 37 galvanized (*) |
| 6 | Nut | galvanized carbon steel (*) |
| 7 | Holder Lever | galvanized carbon steel (*) |
| 8 | Holder screw | A2-70 |
| 9 | Spacer | PTFE Carbon Filled |

(*): On request available in Aisi 304 s.s.

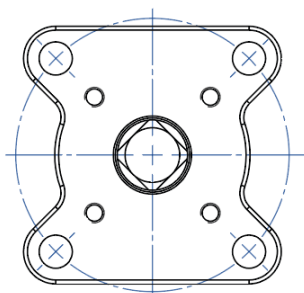
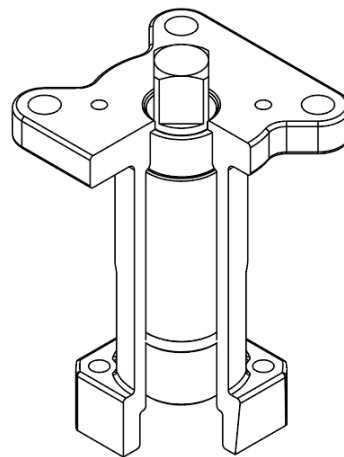
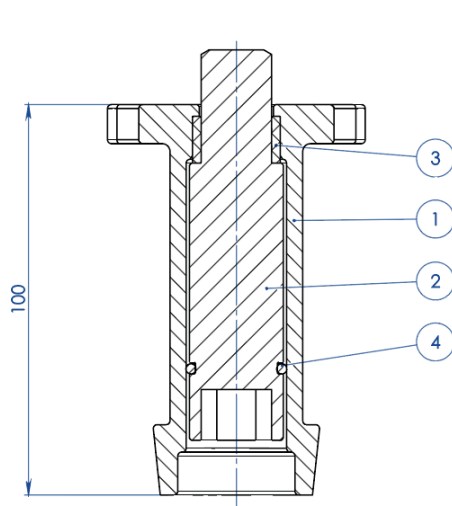
DIMENSIONS

| ISO VALVE | ØA | ØB | ØM | ØN | F/T | X | Y |
|-----------|-----|-----|-----|-----|-------|------|-------|
| F03 | 36 | 5,5 | 36 | 5,5 | 10/6 | 38,5 | 141,5 |
| F04 | 42 | 5,5 | 42 | M5 | 12/8 | 45,5 | 151,5 |
| F05 | 50 | 6,5 | 50 | 6,5 | 16/10 | 48,5 | 276,5 |
| F07 | 70 | 8,5 | 70 | 8,5 | 22/14 | 57,5 | 351,5 |
| F10 | 102 | 11 | 102 | 11 | 30/18 | 79,5 | 451,5 |

NOTE: Code of the spindle extension depending from drive's type and valve's connection; to be requested at the order.

CASTING STEM EXTENSION FOR ACTUATORS


NOTA: Le dimensioni dipendono dalle dimensioni dell'attacco valvola
NOTE: Dimensions depending from valve's connection

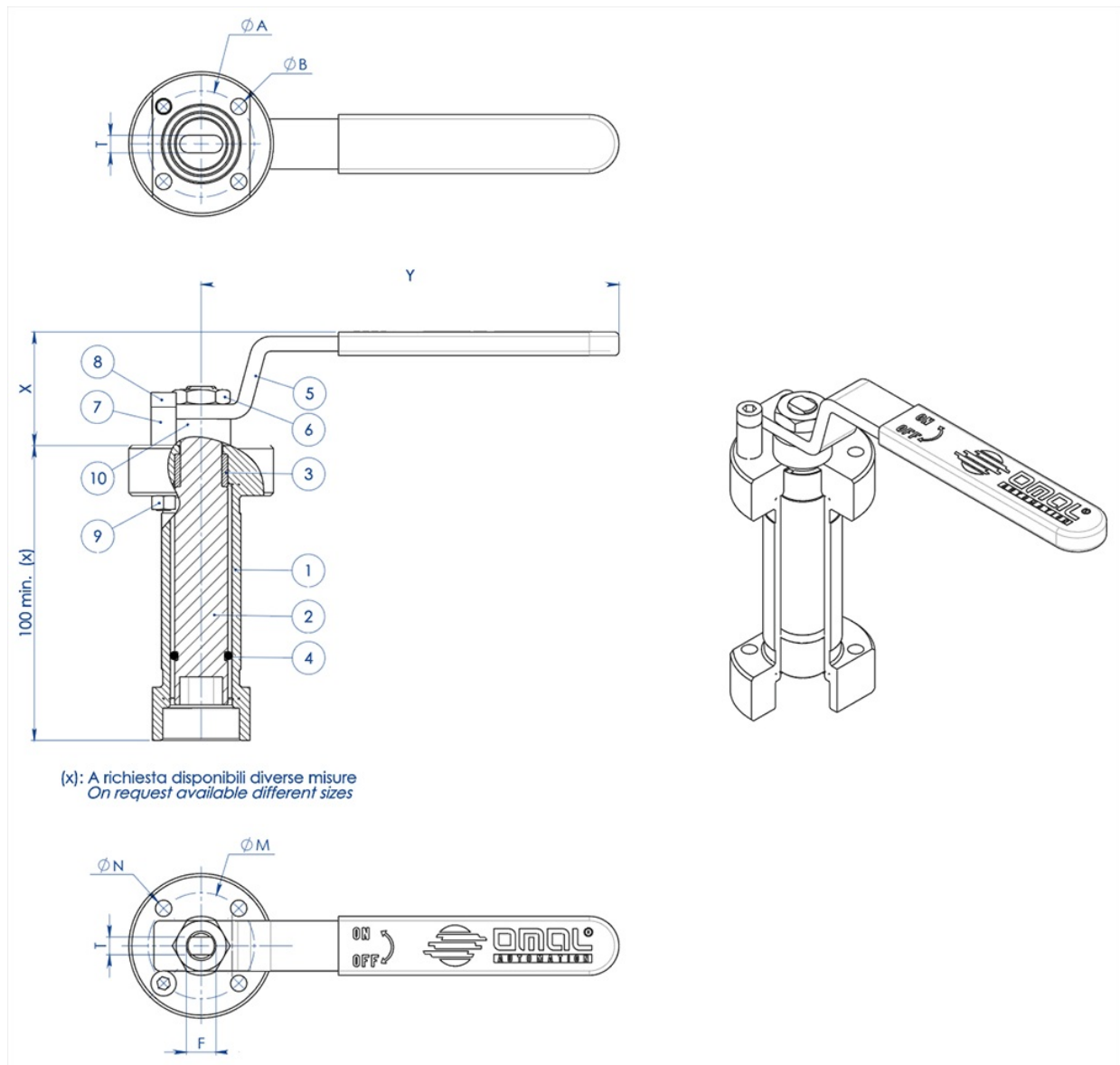


NOTA: Le dimensioni dipendono dalla taglia dell'attuatore
NOTE: Dimensions depending from actuator's size

| MATERIALS | | |
|-----------|-------------|----------------|
| PART. N° | DESCRIPTION | MATERIAL |
| 1 | Extension | ASTM A351 CF8M |
| 2 | Pin | AISI 430 F |
| 3 | Bush | DELRIN |
| 4 | O-RING | NBR |

NOTE: Code of the spindle extension depending from drive's type and valve's connection; to be requested at the order

WELDED STEM EXTENSION WITH LEVER



| MATERIALS | | |
|-----------|--------------|-----------------------------|
| PART. N° | DESCRIPTION | MATERIAL |
| 1 | Extension | 304 s.s. |
| 2 | Pin | AISI 430 F |
| 3 | Bush | DELRIN |
| 4 | O-Ring | NBR |
| 5 | Lever | Fe 37 galvanized (*) |
| 6 | Nut | galvanized carbon steel (*) |
| 7 | Holder Lever | galvanized carbon steel (*) |
| 8 | Holder screw | A2-70 |
| 9 | Holder nut | A2-70 (**) |
| 10 | Spacer | PTFE Carbon Filled |

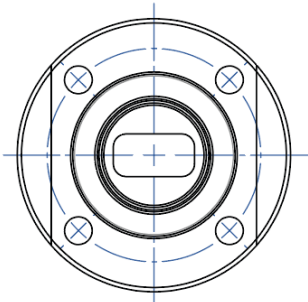
(*): On request available in Aisi 304 s.s.

(**): No available on valves with Iso connection F04

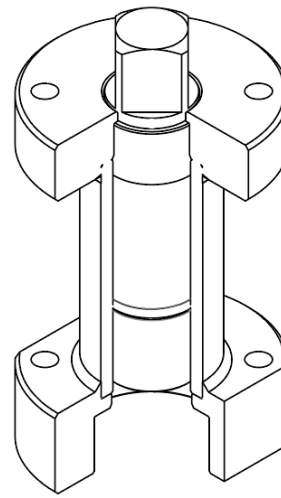
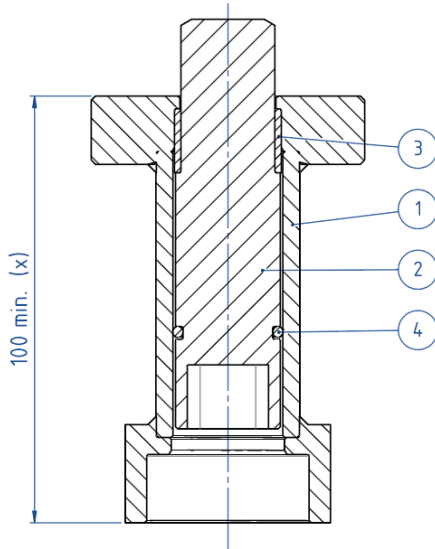
| DIMENSIONS | | | | | | | |
|------------|-----|-----|-----|-----|-------|------|-------|
| ISO VALVE | ØA | ØB | ØM | ØN | F/T | X | Y |
| F03 | 36 | 5,5 | 36 | 5,5 | 10/6 | 38,5 | 141,5 |
| F04 | 42 | 5,5 | 42 | M5 | 12/8 | 45,5 | 151,5 |
| F05 | 50 | 6,5 | 50 | 6,5 | 16/10 | 48,5 | 276,5 |
| F07 | 70 | 9 | 70 | 9 | 22/14 | 57,5 | 351,5 |
| F10 | 102 | 11 | 102 | 11 | 30/18 | 79,5 | 451,5 |

NOTE: Code of the stem extension depending from drive's type and valve's connection; to be requested at the order.

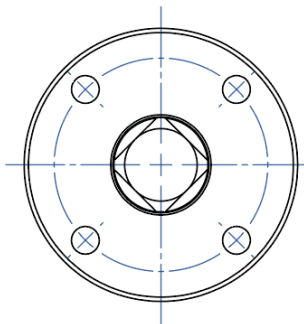
WELDED STEM EXTENSION FOR ACTUATORS



NOTA: Le dimensioni dipendono dalle dimensioni dell'attacco valvola
NOTE: Dimensions depending from valve's connection



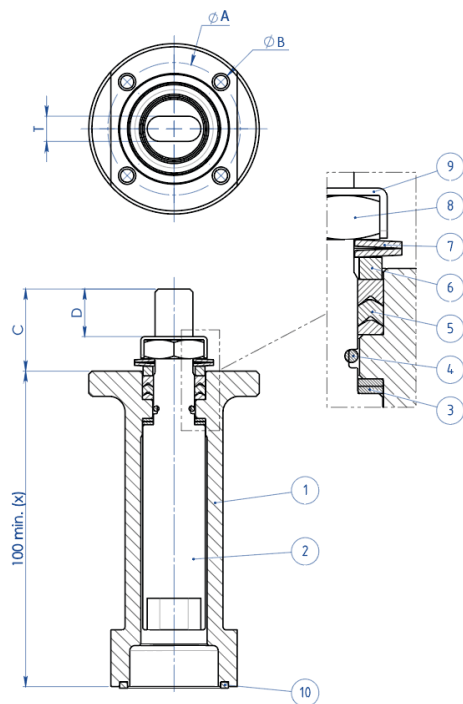
(x): A richiesta disponibili diverse misure
 On request available different sizes



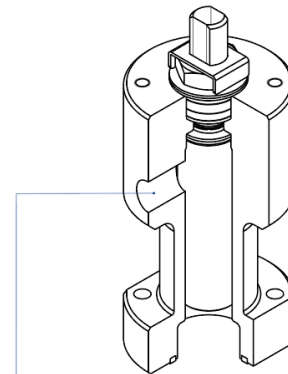
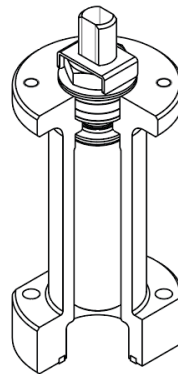
NOTA: Le dimensioni dipendono dalla taglia dell'attuatore
NOTE: Dimensions depending from actuator's size

| MATERIALS | | |
|-----------|-------------|------------|
| PART. N° | DESCRIPTION | MATERIAL |
| 1 | Extension | 304 S.S. |
| 2 | Pin | AISI 430 F |
| 3 | Bush | DELRIN |
| 4 | O-RING | NBR |

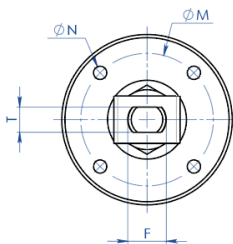
NOTE: Code of the stem extension depending from drive's type and valve's connection; to be requested at the order.

STEM EXTENSION WITH ADDITIONAL SEAL


(x): A richiesta disponibili diverse misure
 On request available different sizes



A richiesta disponibile anche la versione con presa per Sniffer
 Stem extension with sniffer also available on request


MATERIALS

| PART. N° | DESCRIPTION | MATERIAL |
|----------|--------------------|--------------------------|
| 1 | Extension | 304 s.s. |
| 2 | Pin | A564 TP.630 (17-4ph) |
| 3 | Bottom Sealing | TFM1600 |
| 4 | O-Ring | FKM |
| 5 | Chevron Ring | TFM1600 |
| 6 | Packing Gland Ring | 304 s.s. |
| 7 | Spring Washer | 50CrV4 Galvanized |
| 8 | Stem Nut | UNI 3740-1 6S Galvanized |
| 9 | Stop Nut Plate | 304 s.s. |
| 10 | Gasket | GRAFOIL |

| DIMENSIONS | | | | | | | |
|------------|-----|------|-----|-----|-------|------|------|
| ISO VALVE | ØA | ØB | ØM | ØN | F/T | C | D |
| F03 | 36 | 5,5 | 36 | M5 | 10/6 | 20 | 10,2 |
| F04 | 42 | 5,5 | 42 | M5 | 12/8 | 26 | 15,1 |
| F05 | 50 | 6,5 | 50 | M6 | 16/10 | 35 | 21,2 |
| F07 | 70 | 8,5 | 70 | M8 | 22/14 | 47,5 | 28,4 |
| F10 | 102 | 10,5 | 102 | M10 | 30/18 | 61 | 35,2 |

NOTE: Code of the spindle extension depending from drive's type and valve's connection; to be requested at the order.

documents

Certificati

TA LUFT - MAGNUM & THOR
ATEX - Ball Valves
SIL IEC 61508 - MAGNUM & THOR
FUGITIVE EMISSION DN25 CL.300 T1-T2-T3-M1-M4-M5-M6
FUGITIVE EMISSION DN100 CL.300 T1-T2-T3-M1-M4-M5-M6
FIRE SAFE - WAFER - MAGNUM A105 -DN15-100-CL150-300-PN16-40 A105
PED

Istruzioni

ISTRUZIONI ATEX 8_0486
ISTRUZIONI USO 8_0844-30

Manuali

MANUALE UMAH1000