

**Warning:** filectime(): stat failed for /var/www/vhost/www.omal.it/htdocs/https://www.omal.it./FilesProdotti/TA-LUFT.pdf in /var/www/vhost/www.omal.it/htdocs/prodotto-printable.php on line 65

**Warning:** filectime(): stat failed for /var/www/vhost/www.omal.it/htdocs/https://www.omal.it./FilesProdotti/RICEVUTADEPOSITOF.T.ATEXN.VS-19.pdf in /var/www/vhost/www.omal.it/htdocs/prodotto-printable.php on line 65

**Warning:** filectime(): stat failed for /var/www/vhost/www.omal.it/htdocs/https://www.omal.it./FilesProdotti/Certificate-202053402-OMAL-ValvoleMagnum-Thor-new.pdf in /var/www/vhost/www.omal.it/htdocs/prodotto-printable.php on line 65

**Warning:** filectime(): stat failed for /var/www/vhost/www.omal.it/htdocs/https://www.omal.it./FilesProdotti/FG-063579-647FUGITIVEEMISSIONDN25CL.600TI-M4.pdf in /var/www/vhost/www.omal.it/htdocs/prodotto-printable.php on line 65

**Warning:** filectime(): stat failed for /var/www/vhost/www.omal.it/htdocs/https://www.omal.it./FilesProdotti/Certificato-PED-DNV.pdf in /var/www/vhost/www.omal.it/htdocs/prodotto-printable.php on line 65

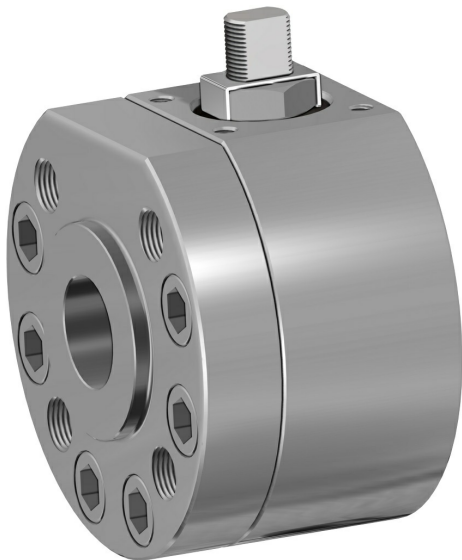
**Warning:** filectime(): stat failed for /var/www/vhost/www.omal.it/htdocs/https://www.omal.it./FilesProdotti/80486-ValvoleasferaATEX-IT-EN.pdf in /var/www/vhost/www.omal.it/htdocs/prodotto-printable.php on line 65

**Warning:** filectime(): stat failed for /var/www/vhost/www.omal.it/htdocs/https://www.omal.it./FilesProdotti/UMAH1000-IT-01-21.pdf in /var/www/vhost/www.omal.it/htdocs/prodotto-printable.php on line 65

**Warning:** filectime(): stat failed for /var/www/vhost/www.omal.it/htdocs/https://www.omal.it./FilesProdotti/80844-32-ValvoleasferaMagnumSplitWaferM4PN63-100-IT-EN-DE-ES-0522.pdf in /var/www/vhost/www.omal.it/htdocs/prodotto-printable.php on line 65

**Warning:** filectime(): stat failed for /var/www/vhost/www.omal.it/htdocs/https://www.omal.it./PdfProdotti/012/Certificati/FIRE SAFE DN 15-100/Split Wafer - PN 63-100 ANSI 600 in acciaio inox - FIRE SAFE DN15-100.pdf in /var/www/vhost/www.omal.it/htdocs/prodotto-printable.php on line 65

## MAGNUM Split Wafer PN 63-100 ANSI 600 stainless steel ball valve



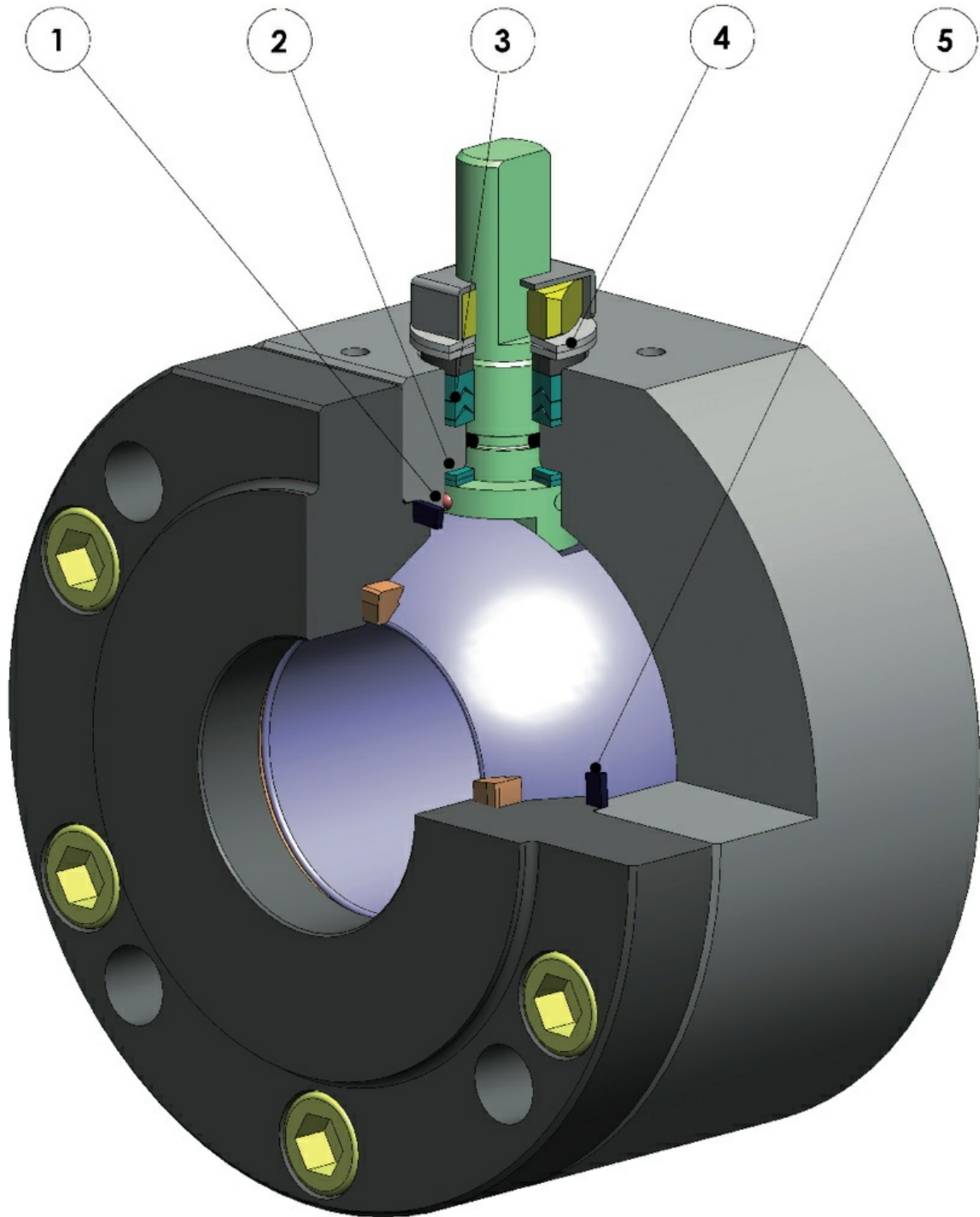
Macro [Ball valves](#)

Category [MAGNUM](#)

Subcategory [MAGNUM Split Wafer](#)

Family [MAGNUM Split Wafer PN 63-100 ANSI 600](#)

**benefits**



**1. Antistatic device ((electrical continuity between ball, stem and body)**

Static electricity is avoided which can cause sparks and fire in an inflammable/explosive environment  
Contact safety throughout the entire life of the valve

**2. Double antifriction washer**

Less Breakaway Torque is granted  
Less wear comparing with the execution with the single washer

**3."V" seals pack; 3 seals + o-ring**

It ensures a perfect tightness even after a high number of cycles

**4. Spring washer on the shaft seal**

Guarantee of the recovery of the gap due to the wear caused by the rotational movement of the shaft avoiding leakage towards the outside part.

Allow to maintain energized the "chevron" seals (V), thus avoiding any leakage to the outside, against huge temperature excursions

**5. Stretch Graphite seal**

Tightness towards outside is granted, independently by the thermal excursions to which the valve is subjected

**Greater precision in the alignment of axes due to a unique positioning in the process machining from raw material to finished valve**

Longer lifetime of the valve  
Less breakaway torque

**Valve body in carbon steel made with NACE certified material as standard**

Greater corrosion resistance  
Greater ductility of the material

**100% in- house manufacturing process technology**

Maximum control and accuracy in all the stages of the manufacturing process  
Flexibility in supply quickly special executions requested by customers

**"Fire safe" Certificate**

Guarantees the tightness of the valve also in case of fire

**ATEX Certificate**

Installation is possible in a potential explosive environment

**TA LUFT fugitive emission Certificate**

High level of safety of the tightness towards the outside is granted

**PED Certificate**

Full compliance with European Safety Standards for Pressure Equipment

**UP to SIL 3 certified**

Guarantee of the high level of functional safety

## features

### STANDARD FEATURES

- No protruding floating ball, full bore
- Soft-seat seal: DEVLON
- Standard for connecting flanges: EN 1092-1; ANSI B16.5
- Operating temperature see temperature pressure diagram
- Pressure class: PN 63-100; ANSI 600
- Tightness Class: EN12266-1 rate A
- Fluid controlled: petroleum products, self-lubricants (liquids and gases), provided they are compatible with the construction materials. For non self-lubricants (water,...) or other applications, contact the sales department.
- Antistatic device EN12266-2
- Stem seal: Modified PTFE V-pack
- Additional seal on stem with FKM O-ring
- Anti Blow-out stem
- Actuator connection as per standard ISO 5211
- Closing angle >7°

### FEATURES ON REQUEST

- For other flange types please contact our sales department.
- Sealing in: PTFE reinforced with glass (PTFE-GF), PTFE reinforced with carbongraphite (PTFE-CF). For other types of materials please contact our sales department
- Mono-directional version with pressure-relief hole in the ball
- Stainless steel lever
- Stainless steel Stem nuts and springs
- For versions in materials different from the standard (body, ball, stem), please contact our sales department.
- Marking and certificate ATEX ON REQUEST

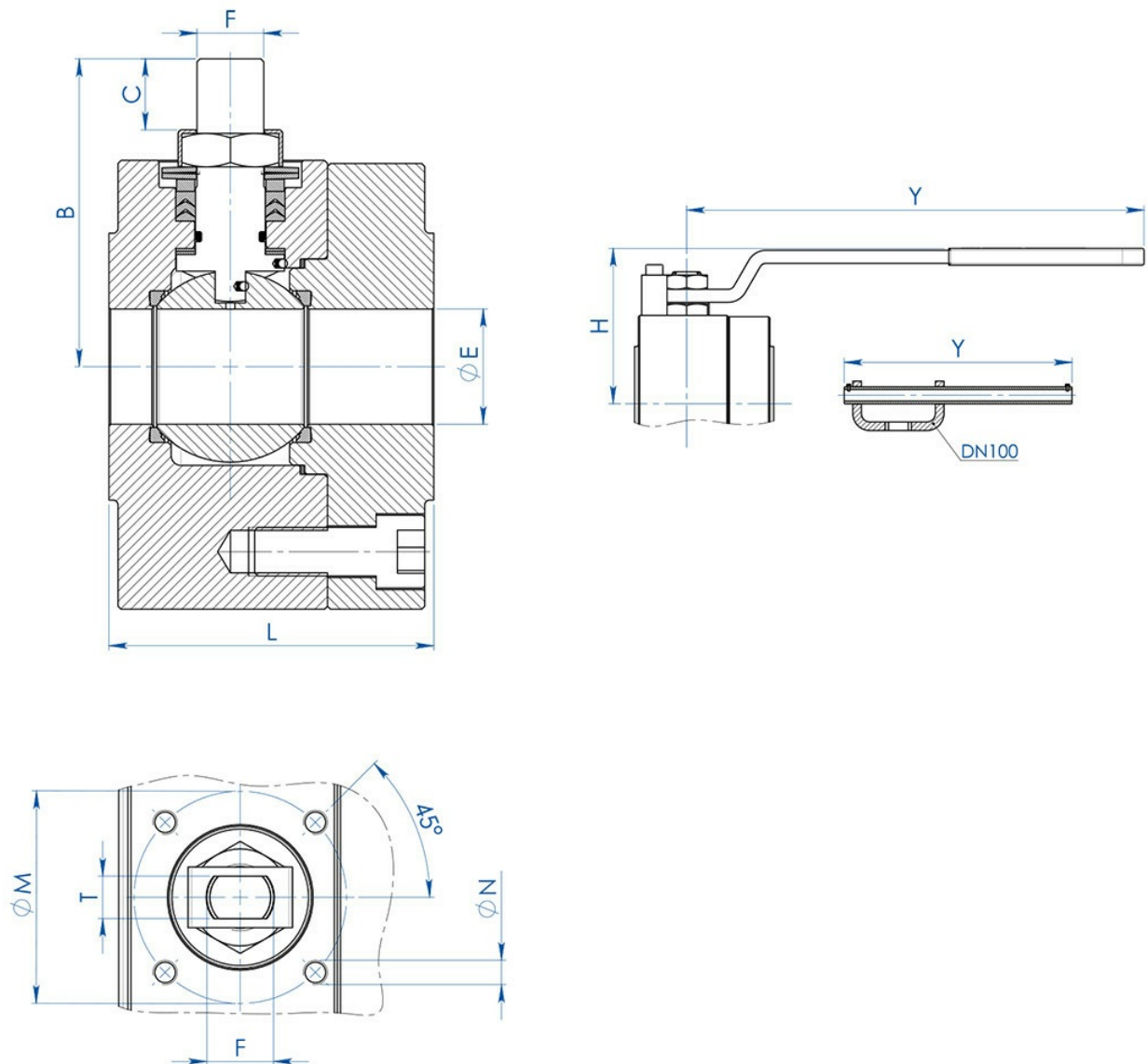
### CERTIFICATIONS

- In compliance with European Directive 2014/68/EU PED; Fugitive Emission ISO 15848 (ISO FE BH-C03-SSA 0); TA-LUFT VDI 2440; FIRE SAFE: ISO 10497 Third ed. 2010 / API 607 Sixth ed. 2010
- Safety integrity level up to SIL3 according to the IEC 61508
- In compliance with ATEX 2014/34/EU Directive , ATEX certificate ON REQUEST.

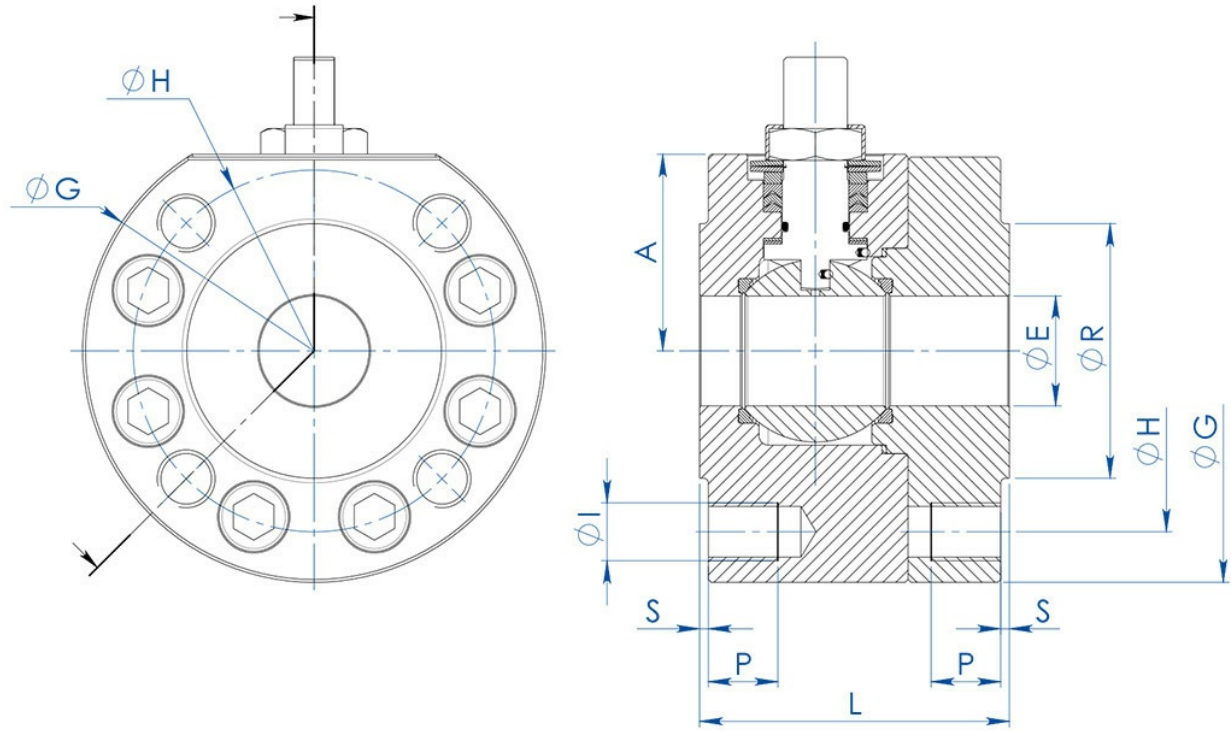
### ENGINEERING STANDARD

- Body thickness in compliance with: ASME B16.34, ASME VIII div.1, EN 12516.
- Materials and rating in compliance with ASME B16.34 for ANSI valves and EN 12516 for PN valves

## dimensions



SIZE		DIMENSIONS										
DN [mm]	[inch]	$\varnothing E$	L	B	C	ATT.ISO	$\varnothing M$	$\varnothing N$	F/T	H	Y	LEVER KIT
DN 15	1/2"	13	68	54,5	95	F04	42	M5	12/8	80	150	KLV58006
DN 20	3/4"	19	72	57,5	95	F04	42	M5	12/8	83	150	KLV58006
DN 25	1"	25	87	71,5	14,6	F05	50	M6	16/10	95	275	KLV58008
DN 32	1" 1/4	32	92	76,5	14,6	F05	50	M6	16/10	100	275	KLV58008
DN 40	1" 1/2	38	107	98,5	20,4	F07	70	M8	22/14	120	350	KLV58010
DN 50	2"	51	115	107,5	20,4	F07	70	M8	22/14	129	350	KLV58010
DN 65	2" 1/2	64	140	144	25,1	F10	102	M10	30/18	180	450	KLV58012
DN 80	3"	76	150	151,5	25,1	F10	102	M10	30/18	188	450	KLV58012
DN 100	4"	102	190	196,5	40,5	F14	140	M16	45/30	233	800	KLV58014



**DIMENSIONS -PN-**

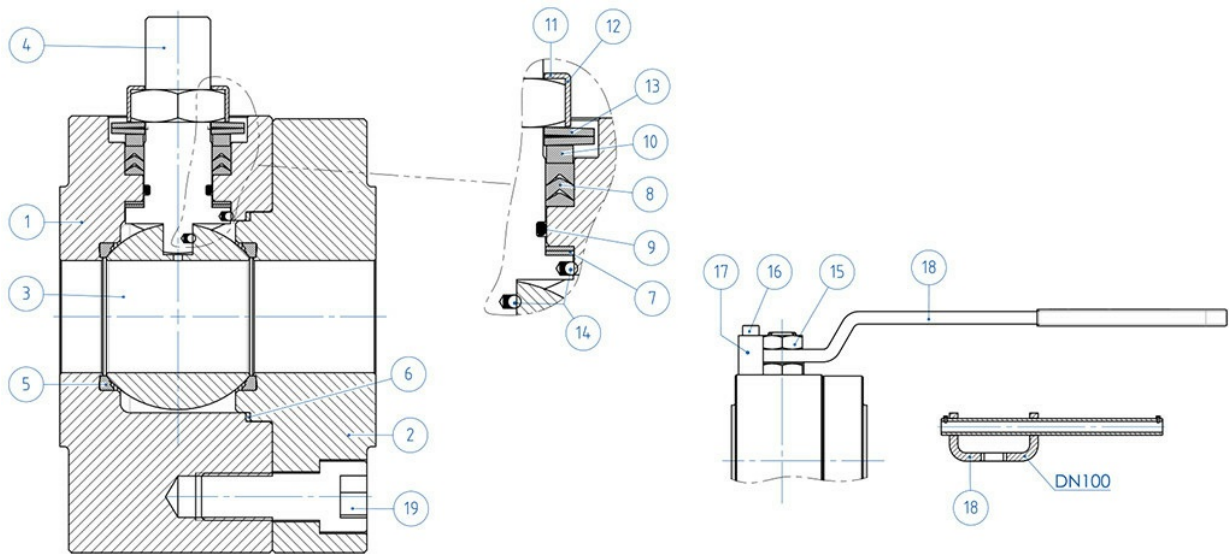
SIZE		PN	A	G	R	S	H	HOLES N°	I	P	Kg	L	SEALS KIT
DN [mm]	[inch]												
DN 15	1/2"	PN 63-100	40	95	45	2	75	4	M12	16	4,2	68	KGBV472040
DN 20	3/4"	PN 63-100	45	115	58	2	90	4	M16	20	6,7	72	KGBV472050
DN 25	1"	PN 63-100	50	125	68	2	100	4	M16	20	6,9	87	KGBV472060
DN 32	1" 1/4	PN 63-100	55	145	78	2	110	4	M20	24	9,3	92	KGBV472070
DN 40	1" 1/2	PN 63-100	68	160	88	3	125	4	M20	24	13,5	107	KGBV472080
DN 50	2"	PN 63	79	170	102	3	135	4	M20	24	16,5	115	KGBV472090
DN 50	2"	PN 100	79	185	102	3	145	4	M24	28	19,5	115	KGBV472090
DN 65	2" 1/2	PN 63	94	208	122	3	160	8	M20	25	29,5	140	KGBV472100
DN 65	2" 1/2	PN 100	101	220	122	3	170	8	M24	30	33,2	140	KGBV472100
DN 80	3"	PN 63	101,5	220	138	3	170	8	M20	25	34,9	150	KGBV472110
DN 80	3"	PN 100	108,5	235	138	3	180	8	M24	30	40,3	150	KGBV472110
DN 100	4"	PN 63	123	275	162	3	200	8	M24	30	67,5	190	KGBV472120
DN 100	4"	PN 100	123	275	162	3	210	8	M27	32	67,2	190	KGBV472120

**DIMENSIONS -ANSI-**

SIZE		ANSI	A	G	R	S	H	HOLES N°	I	P	Kg	L	SEALS KIT
DN [mm]	[inch]												
DN 15	1/2"	ANSI 600	40	95	35,1	6,4	66,5	4	1/2"UNC	16	4,1	68	KGBV472040
DN 20	3/4"	ANSI 600	45	115	42,9	6,4	82,6	4	5/8"UNC	20	4,4	72	KGBV472050
DN 25	1"	ANSI 600	50	125	50,8	6,4	88,9	4	5/8"UNC	20	6,3	87	KGBV472060
DN 32	1" 1/4"	ANSI 600	55	135	63,5	6,4	98,6	4	5/8"UNC	20	7,6	92	KGBV472070
DN 40	1" 1/2"	ANSI 600	68	155	73	6,4	114,3	4	3/4"UNC	24	11,2	107	KGBV472080
DN 50	2"	ANSI 600	79	170	91,9	6,4	127	8	5/8"UNC	20	15,5	115	KGBV472090
DN 65	2" 1/2"	ANSI 600	94	208	104,6	6,4	149,4	8	3/4"UNC	25	28,3	140	KGBV472100
DN 80	3"	ANSI 600	101,5	220	127	6,4	168,1	8	3/4"UNC	25	33,8	150	KGBV472110
DN 100	4"	ANSI 600	126	279	157,2	6,4	215,9	8	7/8"UNC	30	68,2	190	KGBV472120



## materials



<b>MATERIALS</b>		
<b>SPLIT WAFER PN63-100 ANSI 600 stainless steel</b>		
N°	Description	316 Stainless steel
1	Body	ASTM A182 F316 / A479TP.316 (x) (1.4401 / X5CrNiMo17-12-2)
2	Ring nut	
3	Ball	ASTM A351 CF8M (1.4408/GX5CrNiMo19-12-2)
4	Stem	A564 TP.630 (17-4PH)
5*	Seat	DEVLON (.)
6*	Body-ring nut gasket	GRAFOIL
7*	Stem lower sealing	Modified PTFE (.)
8*	Chevron rings	Modified PTFE (.)
9*	Stem o-ring	FKM (.)
10	Packing gland ring	304 S.S.
11	Stop nut plate	304 S.S.
12	Stem nut	Carbon steel galvanized (x)
13	Springs washer	Carbon steel galvanized (xx)
14	Antistatic device	316 S.S.
19	Body-ring nut screw	A2-70 (304 S.S.)
15	Lock nut	Carbon steel galvanized (x)
16	Holder screw	A2-70 (304 S.S.)
17	Holder screw	Carbon steel galvanized (x)
18	Lever	Fe37 Galvanized (x)
* Components of seals kit		

Available on request:

(x): 304 s.s.

(xx): 301 s.s.

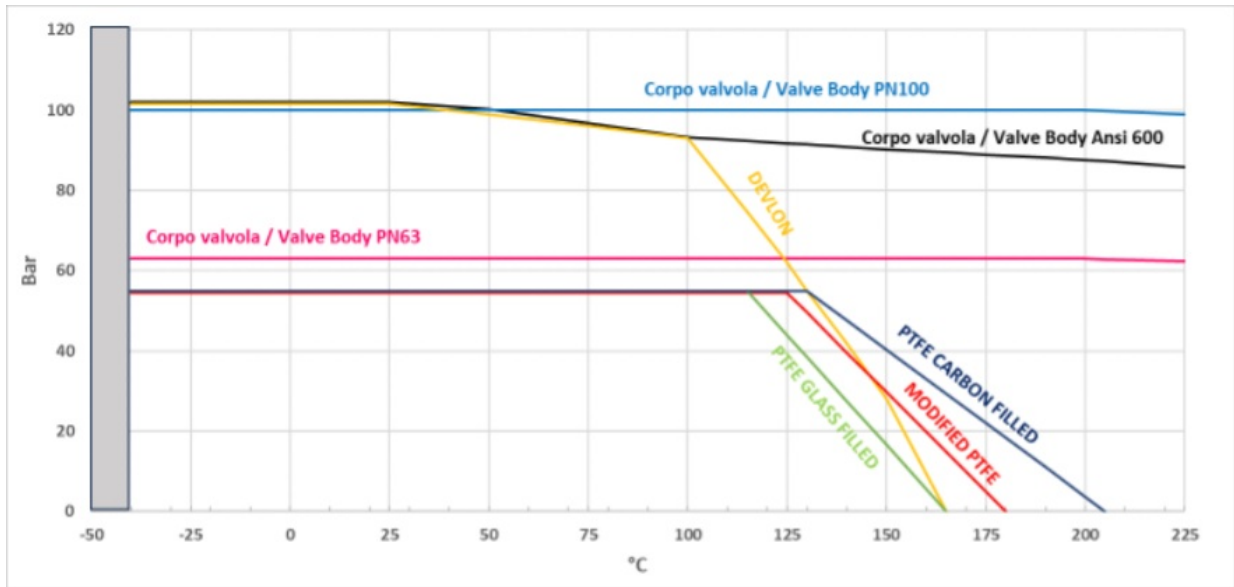
. : for ≤DN32 available only in DEVLON

(.): Other materials available on request

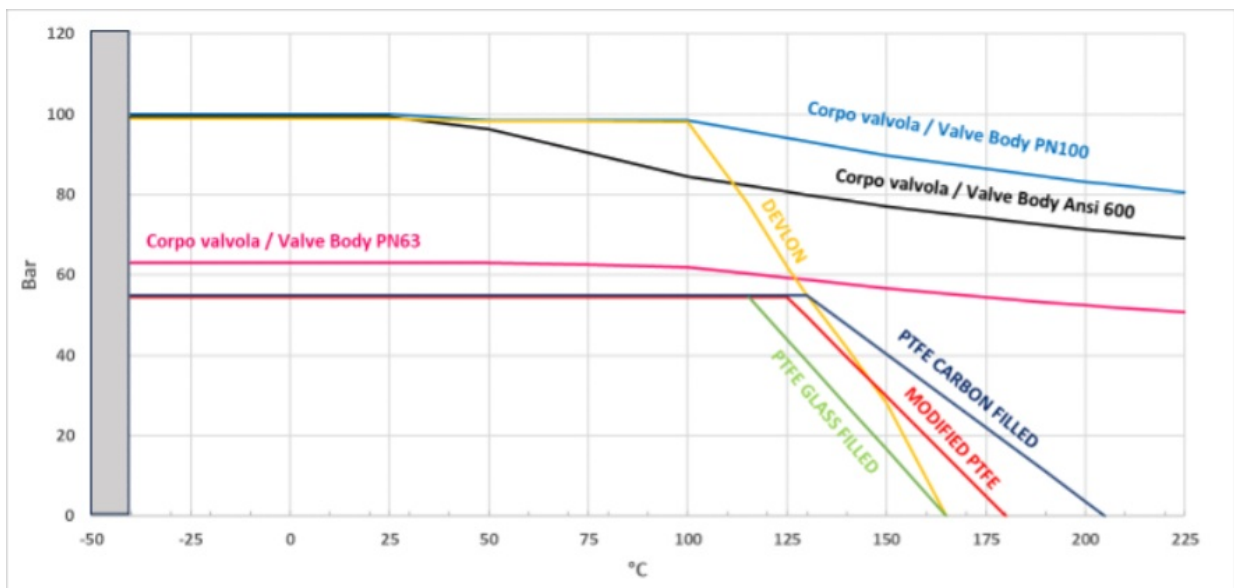


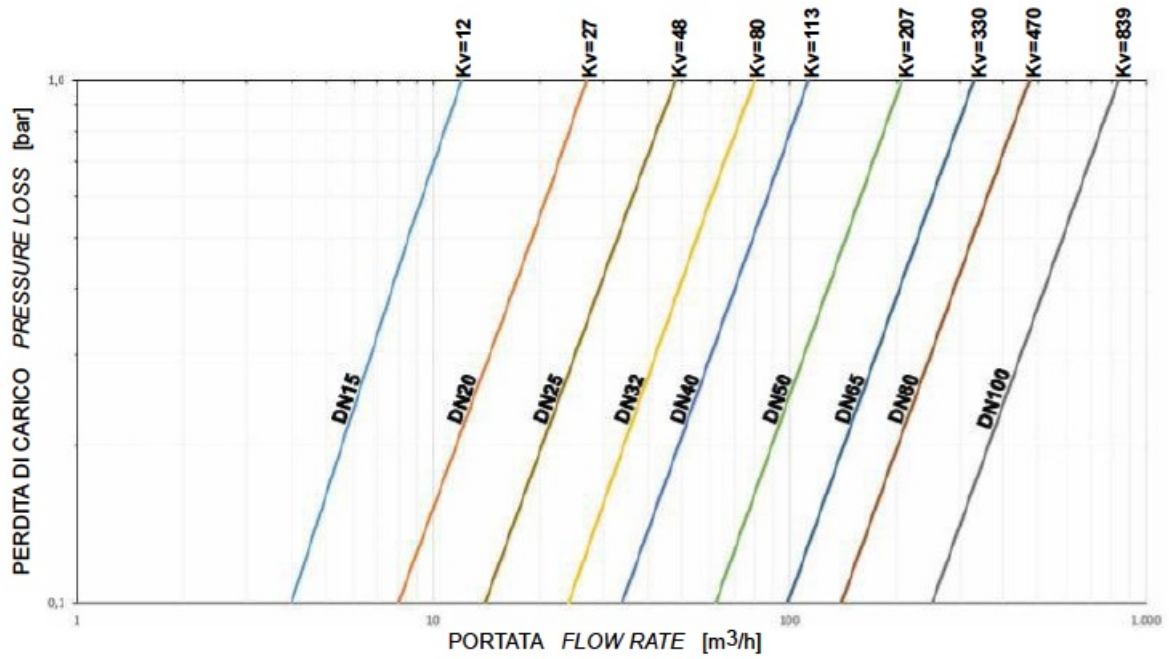
## diagrams and breakaway torque

### Temperature/pressure diagram for carbon steel valve



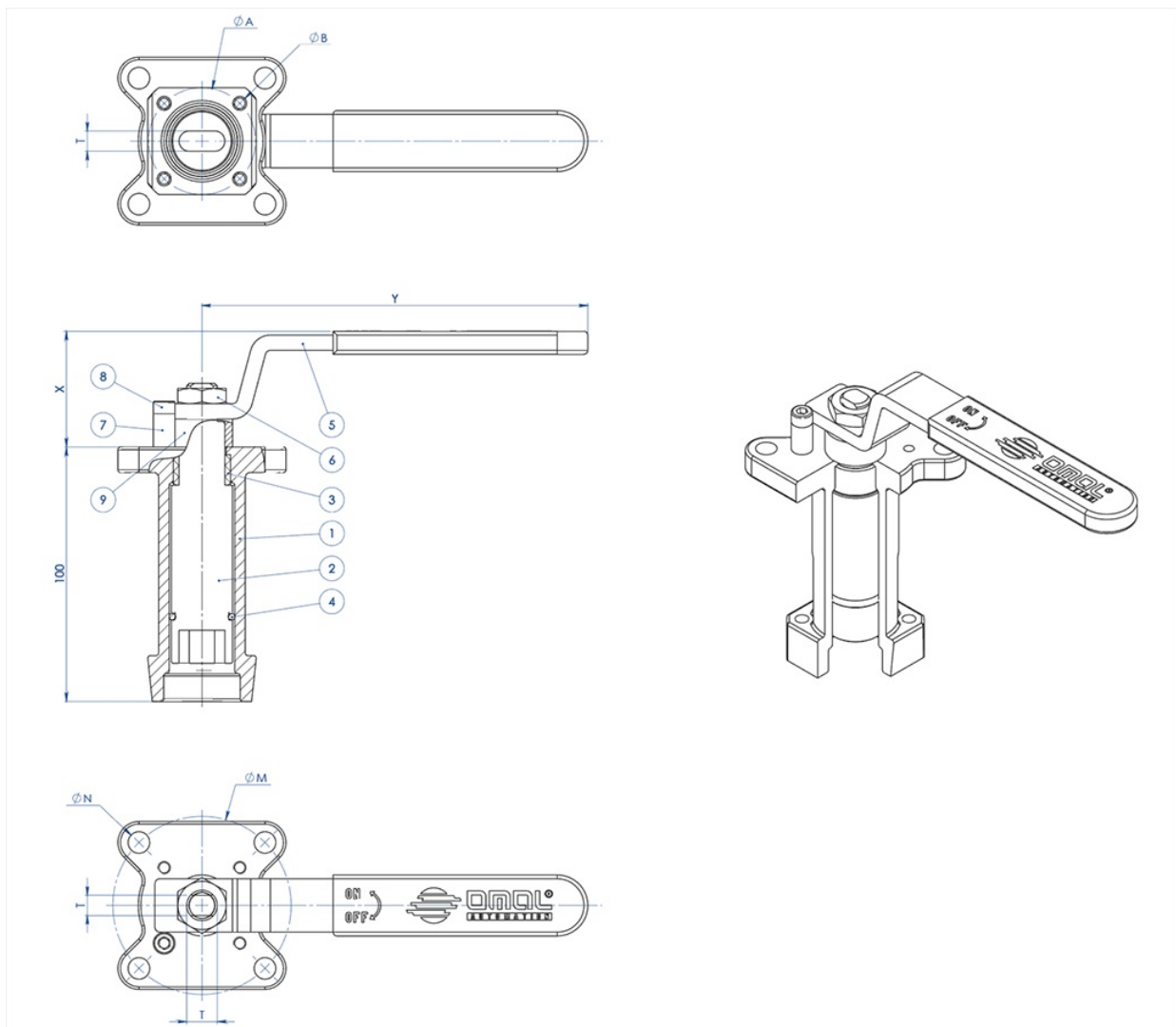
### Temperature/pressure diagram for stainless steel valve



**Flow/pressure loss diagram and Kv nominal coefficient**


Kv is the coefficient, expressed in m<sup>3</sup>/h (with water at 15°C) causing a pressure loss of 1 bar.

The sizing of pneumatic actuators has been done considering a minimum supply pressure of 5,6 barg.

**accessories**
**CASTING STEM EXTENSION WITH LEVER**

**MATERIALS**

PART. N°	DESCRIPTION	MATERIAL
1	Extension	AISI304 S.S.
2	Pin	AISI 430 F
3	Bush	DELRIN
4	O-RING	NBR
5	Lever	Fe 37 galvanized (*)
6	Nut	galvanized carbon steel (*)
7	Holder Lever	galvanized carbon steel (*)
8	Holder screw	A2-70
9	Spacer	PTFE Carbon Filled

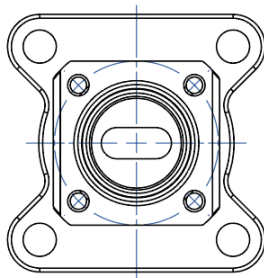
(\*): On request available in Aisi 304 s.s.

### DIMENSIONS

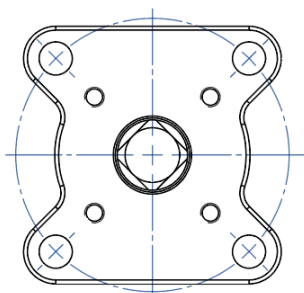
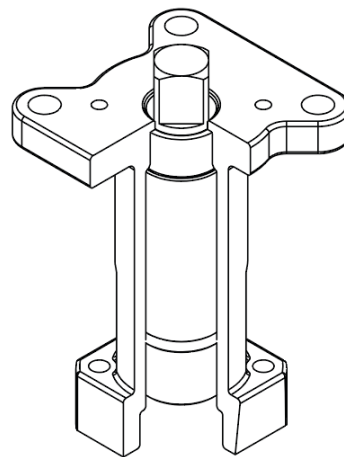
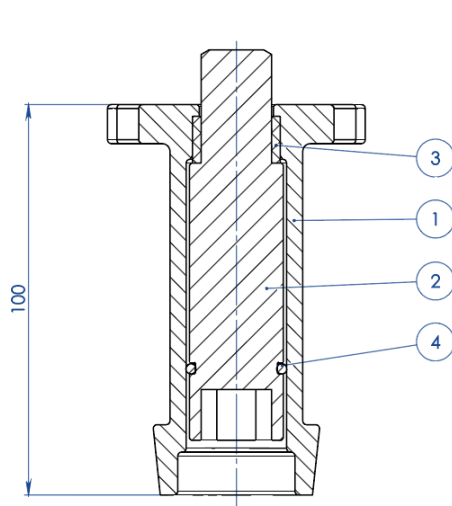
ISO VALVE	ØA	ØB	ØM	ØN	F/T	X	Y
F03	36	5,5	36	5,5	10/6	38,5	141,5
F04	42	5,5	42	M5	12/8	45,5	151,5
F05	50	6,5	50	6,5	16/10	48,5	276,5
F07	70	8,5	70	8,5	22/14	57,5	351,5
F10	102	11	102	11	30/18	79,5	451,5

**NOTE:** Code of the spindle extension depending from drive's type and valve's connection; to be requested at the order.

### CASTING STEM EXTENSION FOR ACTUATORS



**NOTA:** Le dimensioni dipendono dalle dimensioni dell'attacco valvola  
**NOTE:** Dimensions depending from valve's connection

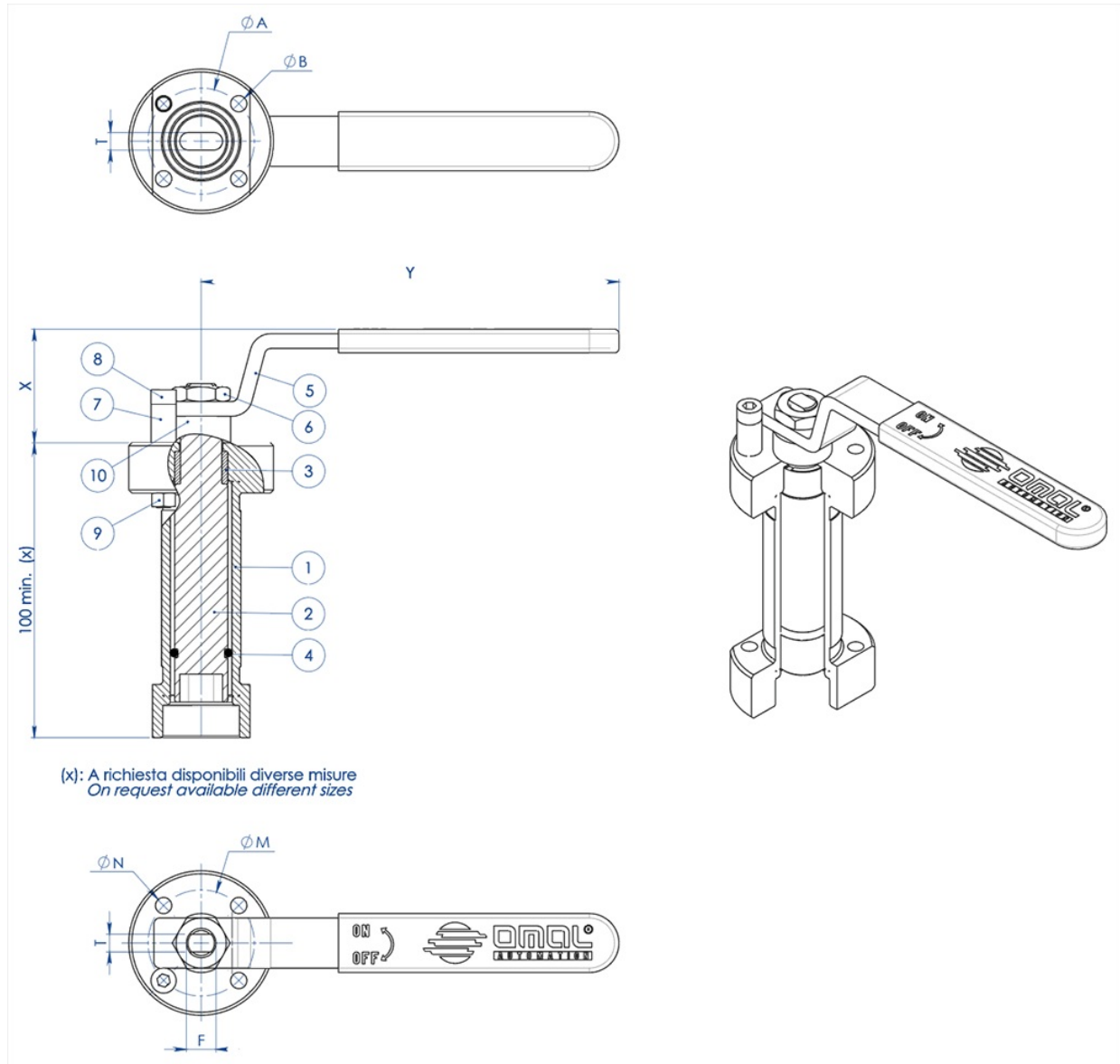


**NOTA:** Le dimensioni dipendono dalla taglia dell'attuatore  
**NOTE:** Dimensions depending from actuator's size

MATERIALS		
PART. N°	DESCRIPTION	MATERIAL
1	Extension	ASTM A351 CF8M
2	Pin	AISI 430 F
3	Bush	DELRIN
4	O-RING	NBR

NOTE: Code of the spindle extension depending from drive's type and valve's connection; to be requested at the order

### WELDED STEM EXTENSION WITH LEVER



MATERIALS		
PART. N°	DESCRIPTION	MATERIAL
1	Extension	304 s.s.
2	Pin	AISI 430 F
3	Bush	DELTRIN
4	O-Ring	NBR
5	Lever	Fe 37 galvanized (*)
6	Nut	galvanized carbon steel (*)
7	Holder Lever	galvanized carbon steel (*)
8	Holder screw	A2-70
9	Holder nut	A2-70 (**)
10	Spacer	PTFE Carbon Filled

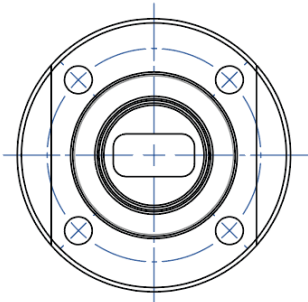
(\*): On request available in Aisi 304 s.s.

(\*\*): No available on valves with Iso connection F04

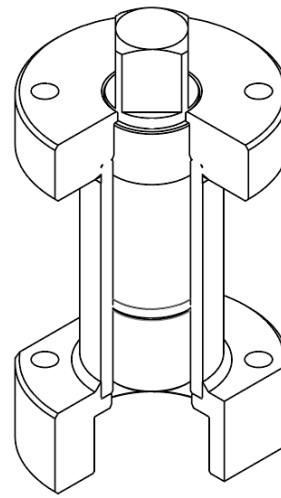
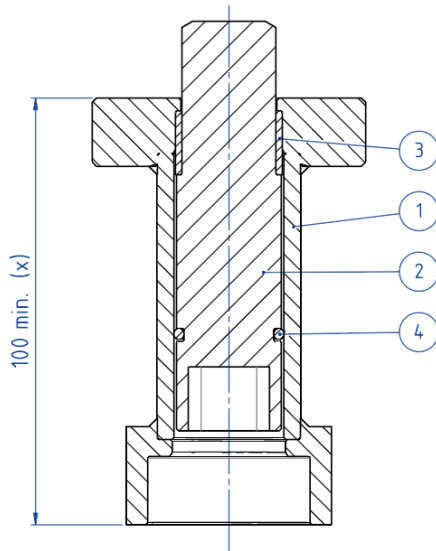
DIMENSIONS							
ISO VALVE	ØA	ØB	ØM	ØN	F/T	X	Y
F03	36	5,5	36	5,5	10/6	38,5	141,5
F04	42	5,5	42	M5	12/8	45,5	151,5
F05	50	6,5	50	6,5	16/10	48,5	276,5
F07	70	9	70	9	22/14	57,5	351,5
F10	102	11	102	11	30/18	79,5	451,5

**NOTE:** Code of the stem extension depending from drive's type and valve's connection; to be requested at the order.

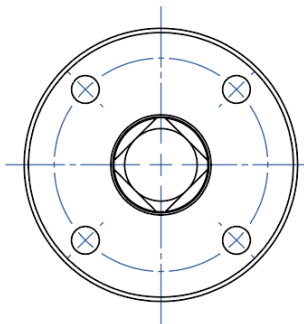
#### WELDED STEM EXTENSION FOR ACTUATORS



**NOTA: Le dimensioni dipendono dalle dimensioni dell'attacco valvola**  
**NOTE: Dimensions depending from valve's connection**



(x): A richiesta disponibili diverse misure  
 On request available different sizes



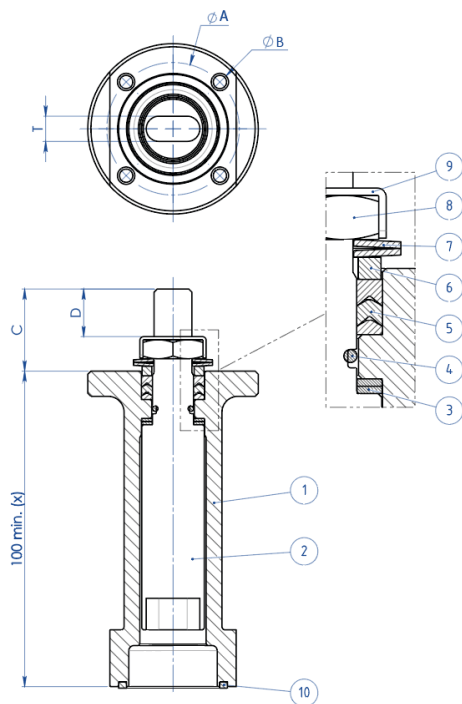
**NOTA: Le dimensioni dipendono dalla taglia dell'attuatore**  
**NOTE: Dimensions depending from actuator's size**

MATERIALS		
PART. N°	DESCRIPTION	MATERIAL
1	Extension	304 S.S.
2	Pin	AISI 430 F
3	Bush	DELRIN
4	O-RING	NBR

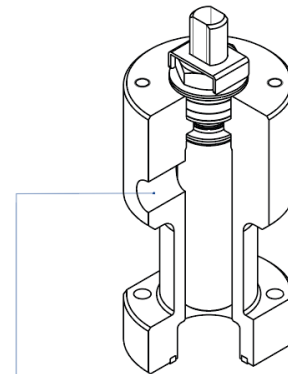
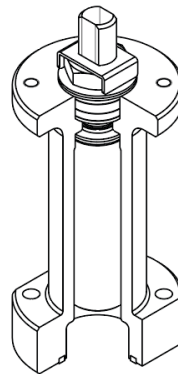
**NOTE:** Code of the stem extension depending from drive's type and valve's connection; to be requested at the order.



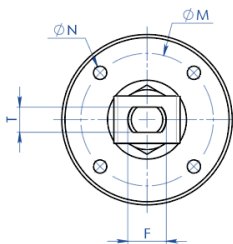
### STEM EXTENSION WITH ADDITIONAL SEAL



(x): A richiesta disponibili diverse misure  
 On request available different sizes



A richiesta disponibile anche la versione con presa per Sniffer  
 Stem extension with sniffer also available on request



#### MATERIALS

PART. N°	DESCRIPTION	MATERIAL
1	Extension	304 s.s.
2	Pin	A564 TP.630 (17-4ph)
3	Bottom Sealing	TFM1600
4	O-Ring	FKM
5	Chevron Ring	TFM1600
6	Packing Gland Ring	304 s.s.
7	Spring Washer	50CrV4 Galvanized
8	Stem Nut	UNI 3740-1 6S Galvanized
9	Stop Nut Plate	304 s.s.
10	Gasket	GRAFOIL

DIMENSIONS							
ISO VALVE	ØA	ØB	ØM	ØN	F/T	C	D
F03	36	5,5	36	M5	10/6	20	10,2
F04	42	5,5	42	M5	12/8	26	15,1
F05	50	6,5	50	M6	16/10	35	21,2
F07	70	8,5	70	M8	22/14	47,5	28,4
F10	102	10,5	102	M10	30/18	61	35,2

**NOTE:** Code of the spindle extension depending from drive's type and valve's connection; to be requested at the order.

## documents

### Certificati

TA LUFT - MAGNUM & THOR  
ATEX - Ball Valves  
SIL IEC 61508 - MAGNUM & THOR  
FUGITIVE EMISSION DN25 CL.600 TI-M4  
PED  
FIRE SAFE - SPLIT WAFER DN15-100 PN63-100 CL 600 316

### Istruzioni

ISTRUZIONI ATEX 8\_0486  
ISTRUZIONI USO 8\_0844-32

### Manuali

MANUALE UMAH1000