

## EF 25-250 rotary type electric actuator

Macro Electric actuators



### features

#### TECHNICAL DATA

Rotating electric actuator that can be utilized in either open/close or modulating applications.

Used to operate valves with rotating angle from 90° to 180°

Open/close/middle position

Nominal torque: 10-100 Nm

Peak torque: 25-250 Nm

Rated voltage: : AC 100-230 V, 50/60 Hz AC/DC 24 V, 50/60 Hz

Rated voltage tolerance: +/- 15%

Protection class: IP 65 (IP 67 when used with cable glands and vertical installation) per EN60529

Actuators for industrial valves EN 15714-2

Ambient temperature: -10°C\* +50°C

Allowable humidity: Max. 90% relative humidity, non-condensing

Housing material: glass-filled PP

\* At temperature below -10°C and if there is condensation, the heating element should be activated.

#### OPTIONAL ON REQUEST

Positioner: Current, voltage

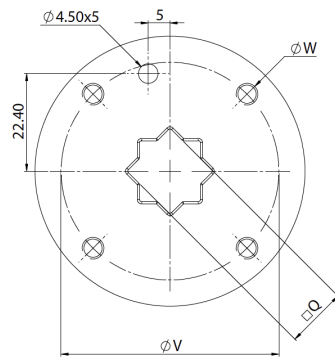
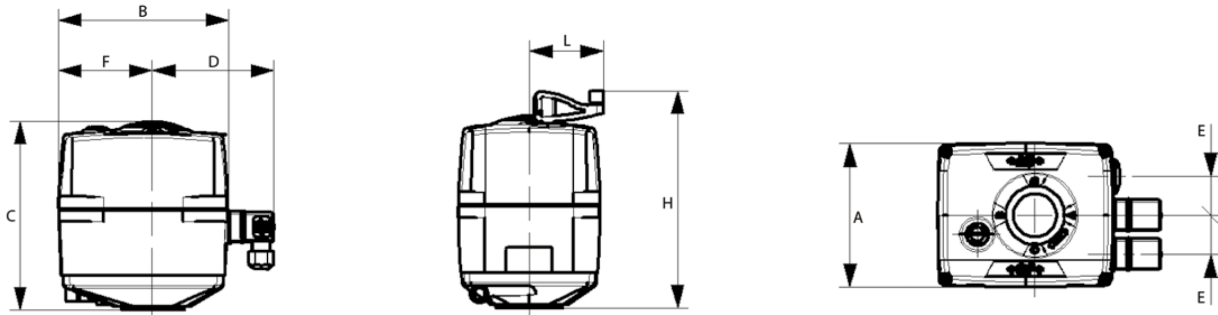
Network: Profibus DP

Fail safe return: Battery back up, externally powered board

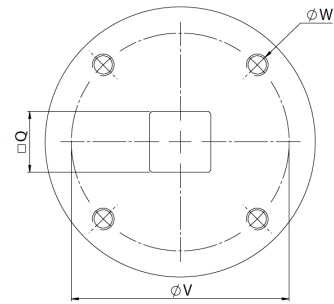
Smart module: Cycle monitoring, cycle counter, motor current monitoring

DATA SHEET				
	EF 25	EF 45	EF 120	EF 250
Nominal torque (Nm)	10	20	60	100
Peak output torque (Nm)	25	45	120	250
Duty cycle	100%	50%	50%	35%
Cycle time at nominal torque	5 s/90°	6 s/90°	15 s/90°	20 s/90°
Rated voltage	100-230 VAC, 50/60 HZ 24VAC/DC, 50/60 HZ			
Rated output	35VA @ 100-230VAC 40VA @ 24VAC/DC	55VA @ 100-230VAC 60VA @ 24VAC/DC	50VA @ 100-230VAC 55VA @ 24VAC/DC	60VA @ 100-230VAC 65VA @ 24VAC/DC
Current draw	0.35A @ 100VAC 0.15A @ 230 1.7A @ 24VDC	0.55A @ 100VAC 0.24A @ 230 2.5A @ 24VDC	0.5A @ 100VAC 0.22A @ 230 2.3A @ 24VDC	0.55A @ 100VAC 0.26A @ 230 2.7A @ 24VDC
Weight (kg)	2,1	2,2	3,6	5
Actuating angle	Max. 355°, set @ 90°			
Tested cycles (at 20°C and nominal torque)	250 000	100 000	100 000	75 000

## dimensions



**EF 25-45**



**EF 120-250**

DIMENSIONS												
TYPE	ISO	A	B	C	D	E	F	H	L	Q	$\phi V$	$\phi W$
EF 25	F05	122	150	167	108	33	83	189	64	14	50	M6
EF 45	F05	122	150	167	108	33	83	189	64	14	50	M6
EF 120	F07	122	150	190	108	33	83	212	64	17	70	M8
EF 250	F07	122	150	208	108	33	83	230	64	17	70	M8