

**Warning:** filectime(): stat failed for /var/www/vhost/www.omal.it/htdocs/https://www.omal.it./FilesProdotti/80843-Angleseatvalves-IT-EN-DE-ES-0522.pdf in /var/www/vhost/www.omal.it/htdocs/prodotto-printable.php on line 65

**Warning:** filectime(): stat failed for /var/www/vhost/www.omal.it/htdocs/https://www.omal.it./FilesProdotti/Certificato-PED-DNV.pdf in /var/www/vhost/www.omal.it/htdocs/prodotto-printable.php on line 65

## ARES manual drive pneumatic valve with blocking device



Macro Pneumatic valves

Category Angle seat valves

Subcategory ARES manual drive

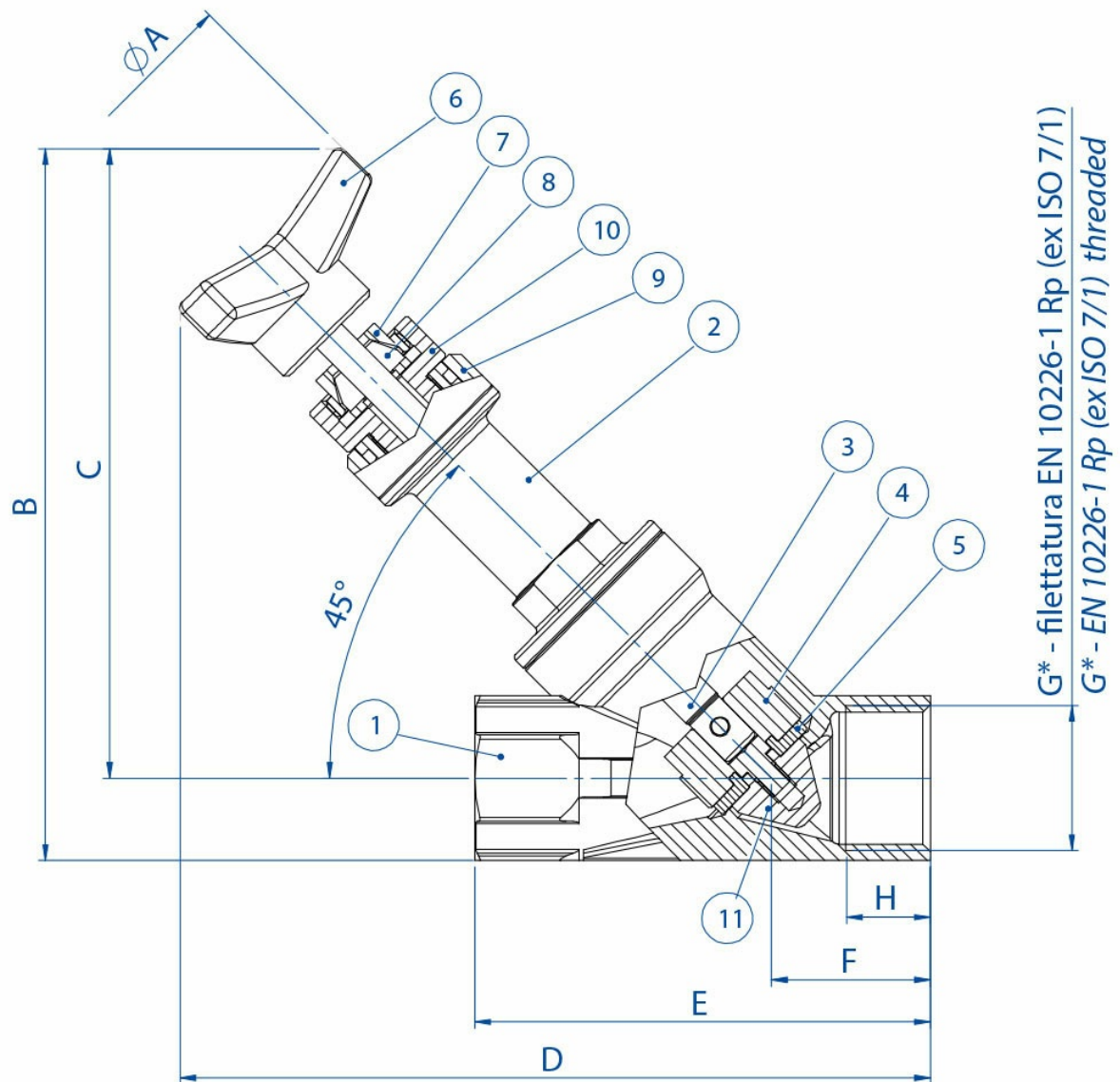
### features

#### GENERAL FEATURES:

Body valve material: A351-CF8M (316 S.S.).  
Valve ends: see code plan.  
Assembling is possible in all positions: upright, flat or angled.  
Range available from DN 10 to DN 50.  
Locking device version available  
2014/34/EU ATEX configuration to request at time of order.  
On request: versions for vacuum and oxygen service

#### OPERATING MEDIA:

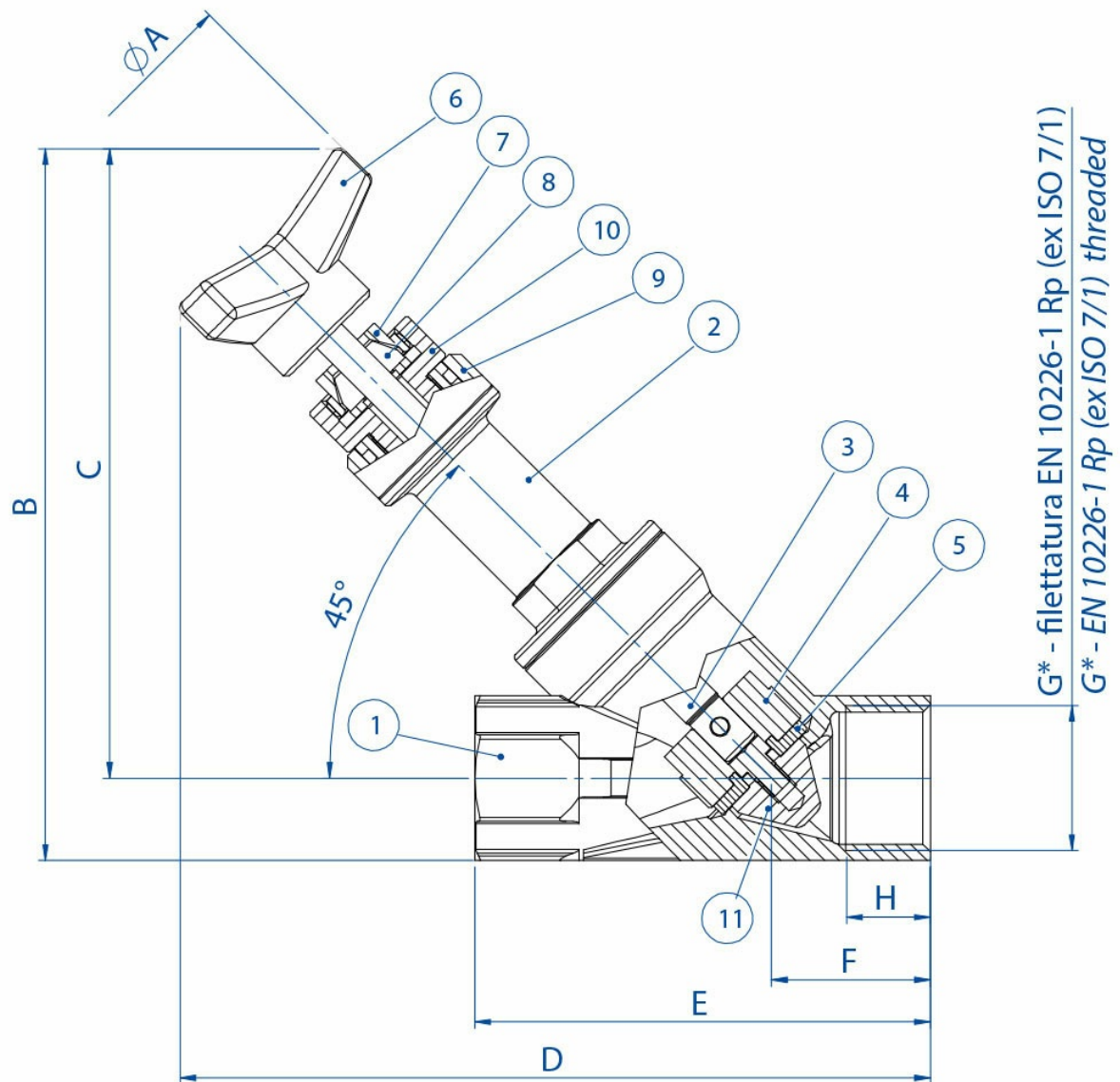
Air, water, alcohol, oil, petroleum products, saline solutions, steam, etc. (as long as compatible with A 351 CF8M(316) e PTFE).  
Pressure from 0 to 25 bar (steam from 180°C, from 0 to 10 bar) depending on the model chosen.  
Temperature from -10°C to 180°C.  
Max. viscosity 600 cst (mm<sup>2</sup>/s).

**dimensions**


\*a richiesta filetto NPT      NPT on request

DIMENSIONS								
DN [mm]	G* [inch]	ØA	B	C	D	E	F	H
15	3/8"	63	138,5	126	169	85	34,5	12
15	1/2"	63	138,5	126	169	85	34,5	15
20	3/4"	63	148,5	133	176,2	95	34,7	16,3
25	1"	63	152	133	178,1	105	36,6	19,5
32	1"1/4	100	191,5	168	222,5	120	40,5	19
40	1"1/2	100	197	170	225	130	41	18
50	2"	100	213	180	239,5	150	45,5	20

\* NPT on request

**materials**


\*a richiesta filetto NPT      *NPT on request*

MATERIALS		
N°	Description	Materials
1	Valve body	CF8M
2	leeve	CF8M
3	Stem	316L S.S.
4	Plug	316L S.S.
5	Plug seals	PTFE
6	Hand grip	Tecnopolymer
7	Locking nut	304 S.S.
8	Pliers	Brass
9	Bush	Aluminium Alloy
10	Gland Nut	304 S.S.
11	Ogive	304 S.S.

## documents

### Istruzioni

[ISTRUZIONI USO 8\\_0843](#)

### Certificati

[PED](#)