

Actionneur pneumatique simple effet GS Heavy Duty acier au carbone

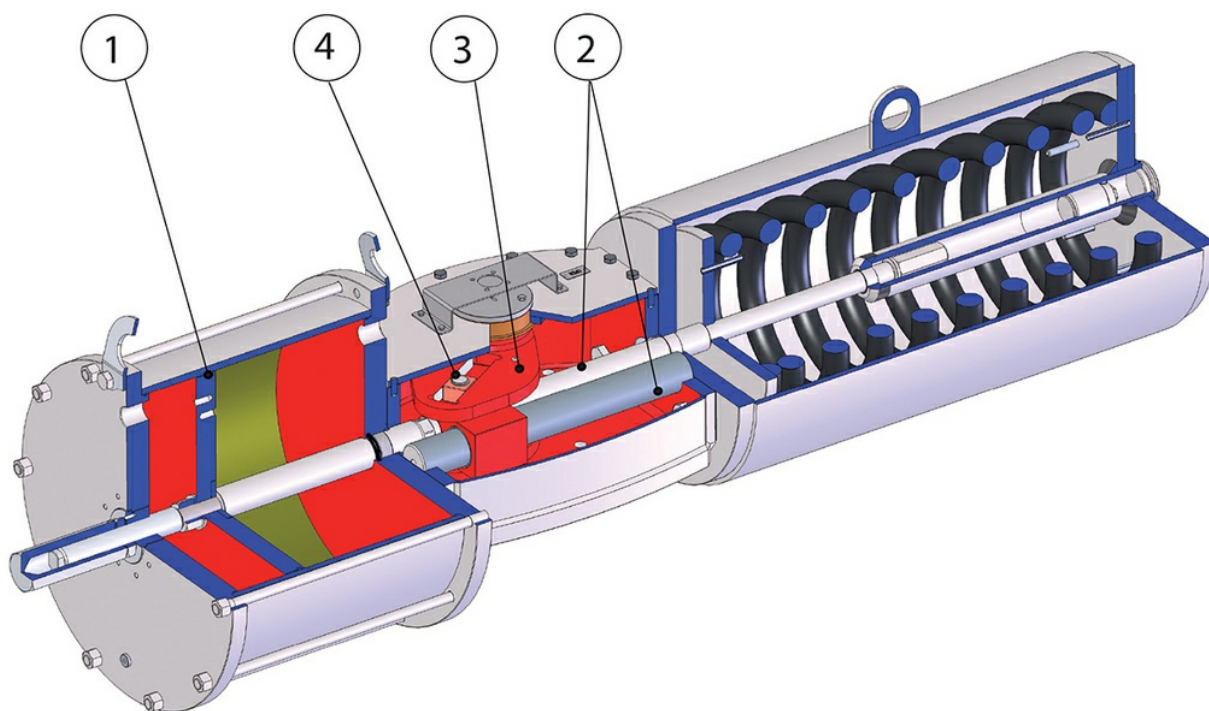
Macro Actionneurs pneumatiques

Catégorie Actionneurs Heavy Duty acier carbone

Couple nominal de l'actionneur: de 2000 Nm à 32000 Nm



avantages



1 Bandes de glissement en PTFE remplies de graphite

Réduction du frottement entre piston et vérin

Évite que les bandes de glissement ne se collent au vérin, même après de longues périodes d'immobilisation

Réduit l'effet « stick-slip »

2 Tige et barre de guidage réalisées en acier chromé avec dureté d'environ 200 HB

Plus grande résistance à la corrosion

Réduction du frottement entre la tige, la barre de guidage et les douilles de guidage, ce qui réduit l'usure des pièces

3 Système de transformation du mouvement linéaire en mouvement rotatif séparé du fluide de commande de l'actionneur.

Possibilité d'alimenter l'actionneur avec des gaz techniques

Les atmosphères explosives sont évitées

4 Bielle-manivelle avec frottement de roulement (transformation du mouvement linéaire en mouvement de rotation par système sans engrenages).

Réduction du frottement entre le piston et l'arbre, ce qui réduit l'usure des pièces

Moment de torsion accru en phase d'ouverture et de fermeture

Douilles en bronze

Garantissent une usure moindre par rapport aux douilles réalisées dans d'autres matériaux.

ATEX Compliance

Permet une installation en présence d'un milieu potentiellement explosif.

Certifié jusqu'à SIL 3

Niveau élevé de sécurité fonctionnelle

caractéristiques

Données techniques:

Couples nominaux: d'environ 2000 Nm à 30 000 Nm

Brides suivant DIN / ISO 5211, DIN 3337

Rotation angle: 100° (-5°, +95°).

Double adjusting +5° and -5° for each end position (0° and 90°).

Pression d'alimentation: de 3 bar à 8,5 bar (pour les couples délivrés, voir les tableaux)

Pour la version à double effet, le moment de torsion est directement proportionnel à la pression d'alimentation de l'actionneur

Pour la version à simple effet, le moment de torsion de rappel (absence d'alimentation dans l'actionneur) dépend uniquement de l'action du ressort, indépendamment de la pression d'alimentation

Réalisations disponibles: Double effet, rappel à ressort normalement fermé (NF), rappel à ressort normalement ouvert (NO)

Configurations du corps central: Bielle-manivelle symétrique (symmetrical) ou dissymétrique (canted)

Conditions de fonctionnement:

Plage de température - version standard: -20°C à + 80°C (Matériau garnitures: NBR)

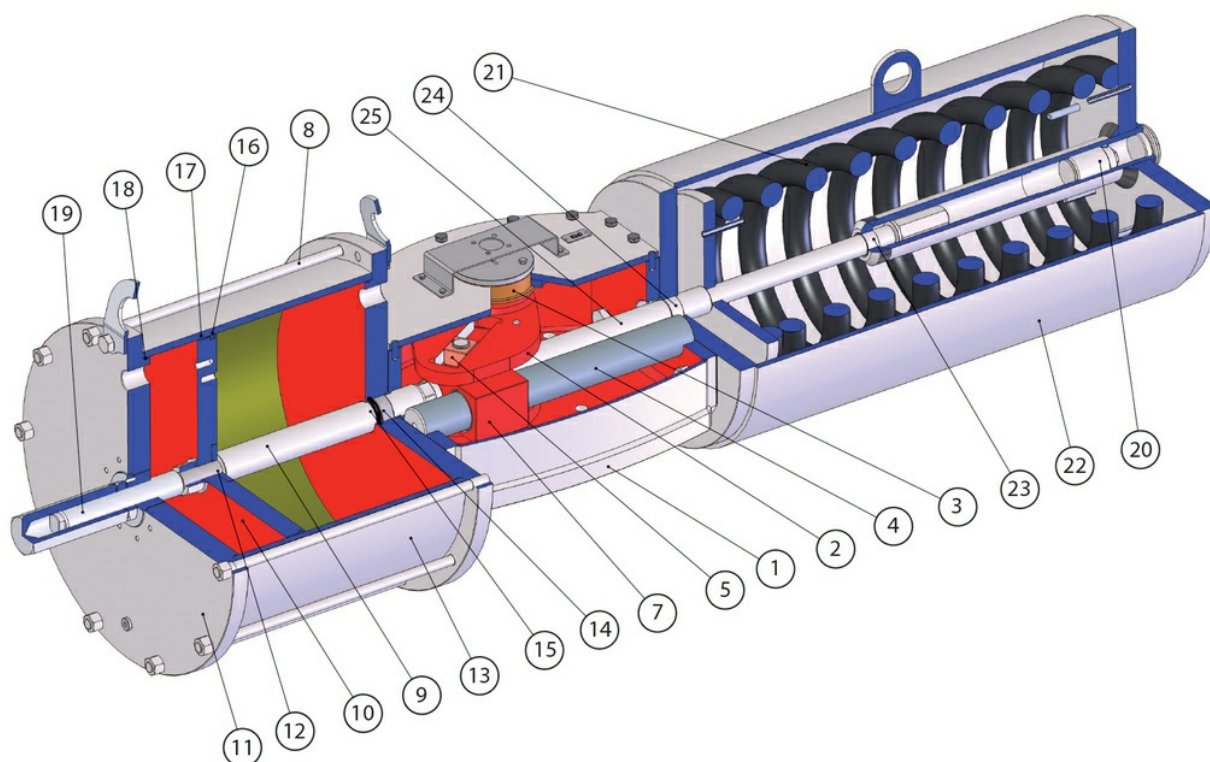
Fluide d'alimentation: air comprimé filtré, pas nécessairement lubrifié, gaz inertes, gaz techniques

Pour des températures inférieures à 0°C, utilisez de l'air sec

En cas de lubrification, utiliser une huile non détergente compatible avec les matériaux internes de la version de l'actionneur utilisée

Normes de conception:

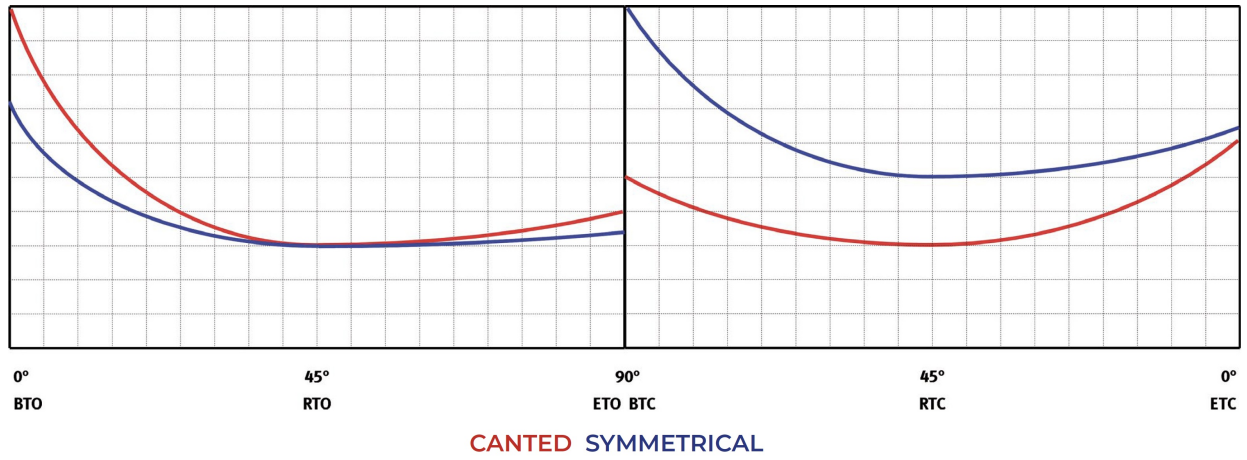
Conception conforme aux normes EN 15714-3, ISO 5211, ISO 12490



Pos	Description	Matériaux
1	Corps central	Acier au carbone
2	Bielle-manivelle	Acier au carbone
3	Douille bielle-manivelle	Bronzo
4	Barre de guidage	Alliage d'acier (chromé)
5	Palier de guidage	Bronze
6	Vanne de purge (non montrée)	Laiton
7	Bloc de guidage	Acier au carbone
8	Goujon	Alliage d'acier
9	Tige piston	Alliage d'acier (chromé)
10	Piston	Acier au carbone
11	Bride	Acier au carbone
12	Joint torique	Nitrilic rubber
13	Vérin	Acier au carbone (nickelé)
14	Douille tige piston	Acier+bronze+PTFE
15	Garniture	NBR+polyuréthane
16	Joint torique	Nitrilic rubber
17	Bague de guidage	PTFE + graphite
18	Joint torique	Nitrilic rubber
19	Vis sans tête de réglage	Alliage d'acier
20	Vis sans tête de réglage	Alliage d'acier
21	Ressort	Alliage d'acier
22	Empilement ressorts	Acier au carbone
23	Douille	Acier + bronze + PTFE
24	Douille	Acier + bronze + PTFE
25	Tige empilement ressorts	Alliage d'acier (chromé)

diagrammes et couples de démarrage

Simple effet normalement fermé - Tableau des couples (moments de torsion)



Numéro de modèle	Couple max. Nm	3 BAR CANTED - Normally closed Torque Output (Nm)					
		BTO	RTO	ETO	BTC	RTC	ETC
GHDP-085C-280A-C2	9.000						
GHDP-085C-335A-C2	9.000						
GHDP-085C-385A-C2	9.000	3.802	1.001	1.114	2.000	1.205	2.324
GHDP-085C-435A-C2	9.000	5.563	1.704	2.090	1.996	1.202	2.315
GHDP-085C-335A-C3	9.000						
GHDP-085C-385A-C3	9.000						
GHDP-085C-435A-C3	9.000						
GHDP-085C-335A-C5	9.000						
GHDP-085C-385A-C5	9.000						
GHDP-085C-435A-C5	9.000						
GHDP-085C-385A-C6	9.000						
GHDP-085C-435A-C6	9.000						
GHDP-100C-385A-C1	18.000						
GHDP-100C-435A-C1	18.000						
GHDP-100C-485A-C1	18.000						
GHDP-100C-385A-C2	18.000						
GHDP-100C-435A-C2	18.000						
GHDP-100C-485A-C2	18.000						
GHDP-100C-535A-C2	18.000						
GHDP-100C-585A-C2	18.000	10.103	2.211	2.219	6.417	3.811	7.099
GHDP-100C-535A-C3	18.000						
GHDP-100C-585A-C3	18.000						
GHDP-100C-535A-C4	18.000						
GHDP-100C-585A-C4	18.000						
GHDP-130C-435A-C1	32.000						
GHDP-130C-485A-C1	32.000						
GHDP-130C-535A-C1	32.000						
GHDP-130C-585A-C1	32.000	12.419	3.055	3.258	8.138	5.017	10.196
GHDP-130C-635A-C1	32.000	16.588	4.745	5.567	8.165	5.037	10.251
GHDP-130C-385A-C2	32.000						
GHDP-130C-435A-C2	32.000						
GHDP-130C-485A-C2	32.000						
GHDP-130C-535A-C2	32.000						
GHDP-130C-585A-C2	32.000						
GHDP-130C-635A-C2	32.000	15.083	3.329	3.352	10.109	6.092	11.756
GHDP-130C-485A-C5	32.000						
GHDP-130C-535A-C5	32.000						
GHDP-130C-585A-C5	32.000						
GHDP-130C-635A-C5	32.000						
GHDP-130C-685A-C5	32.000	17.075	4.457	4.931	10.859	6.780	14.156
GHDP-130C-735A-C5	32.000	21.837	6.370	7.569	10.842	6.767	14.121
GHDP-130C-535A-C6	32.000						
GHDP-130C-585A-C6	32.000						
GHDP-130C-635A-C6	32.000						
GHDP-130C-685A-C6	32.000						
GHDP-130C-735A-C6	32.000						

Numéro de modèle	Couple max. Nm	3 BAR SYMMETRICAL - Normally closed Torque Output (Nm)					
		BTO	RTO	ETO	BTC	RTC	ETC
GHDP-085S-280A-C2	9.000						
GHDP-085S-335A-C2	9.000	1.441	393	383	2.336	1.123	1.475
GHDP-085S-385A-C2	9.000	2.421	1.138	1.454	2.326	1.116	1.464
GHDP-085S-435A-C2	9.000	3.543	1.848	2.681	2.321	1.113	1.459
GHDP-085S-335A-C3	9.000						
GHDP-085S-385A-C3	9.000						
GHDP-085S-435A-C3	9.000	2.652	924	915	3.782	1.801	2.340
GHDP-085S-335A-C5	9.000						
GHDP-085S-385A-C5	9.000						
GHDP-085S-435A-C5	9.000	2.295	544	525	4.105	2.007	2.692
GHDP-085S-385A-C6	9.000						
GHDP-085S-435A-C6	9.000						
GHDP-100S-385A-C1	18.000						
GHDP-100S-435A-C1	18.000						
GHDP-100S-485A-C1	18.000						
GHDP-100S-535A-C1	18.000	5.834	2.281	2.317	6.315	2.764	3.228
GHDP-100S-585A-C1	18.000	7.679	3.511	4.333	6.327	2.773	3.242
GHDP-100S-385A-C2	18.000						
GHDP-100S-435A-C2	18.000						
GHDP-100S-485A-C2	18.000						
GHDP-100S-535A-C2	18.000	4.589	998	956	7.441	3.495	4.460
GHDP-100S-585A-C2	18.000	6.434	2.694	2.972	7.454	3.503	4.474
GHDP-100S-535A-C3	18.000						
GHDP-100S-585A-C3	18.000						
GHDP-100S-535A-C4	18.000						
GHDP-100S-585A-C4	18.000						
GHDP-130S-435A-C1	32.000						
GHDP-130S-485A-C1	32.000						
GHDP-130S-535A-C1	32.000	5.484	1.669	1.640	9.466	4.694	6.407
GHDP-130S-585A-C1	32.000	7.909	3.554	4.291	9.483	4.705	6.426
GHDP-130S-635A-C1	32.000	10.564	5.253	7.193	9.515	4.725	6.460
GHDP-130S-385A-C2	32.000						
GHDP-130S-435A-C2	32.000						
GHDP-130S-485A-C2	32.000						
GHDP-130S-535A-C2	32.000						
GHDP-130S-585A-C2	32.000	6.950	1.640	1.582	11.725	5.626	7.374
GHDP-130S-635A-C2	32.000	9.605	4.040	4.484	11.757	5.646	7.409
GHDP-130S-685A-C2	32.000	12.424	5.876	7.566	11.738	5.634	7.388
GHDP-130S-485A-C5	32.000						
GHDP-130S-535A-C5	32.000						
GHDP-130S-585A-C5	32.000						
GHDP-130S-635A-C5	32.000	8.054	3.222	3.361	12.686	6.408	8.942
GHDP-130S-685A-C5	32.000	10.874	5.081	6.443	12.668	6.396	8.922
GHDP-130S-735A-C5	32.000	13.907	7.010	9.758	12.647	6.383	8.899
GHDP-130S-535A-C6	32.000						
GHDP-130S-585A-C6	32.000						
GHDP-130S-635A-C6	32.000						
GHDP-130S-685A-C6	32.000						
GHDP-130S-735A-C6	32.000	11.983	4.588	4.569	16.943	8.179	10.802

Numéro de modèle	Couple max. Nm	3,5 BAR CANTED - Normally closed Torque Output (Nm)					
		BTO	RTO	ETO	BTC	RTC	ETC
GHDP-085C-280A-C2	9.000						
GHDP-085C-335A-C2	9.000	3.070	696	709	2.008	1.211	2.340
GHDP-085C-385A-C2	9.000	4.868	1.429	1.705	2.000	1.205	2.324
GHDP-085C-435A-C2	9.000	6.925	2.241	2.844	1.996	1.202	2.315
GHDP-085C-335A-C3	9.000						
GHDP-085C-385A-C3	9.000						
GHDP-085C-435A-C3	9.000	5.526	1.336	1.411	3.254	1.950	3.713
GHDP-085C-335A-C5	9.000						
GHDP-085C-385A-C5	9.000						
GHDP-085C-435A-C5	9.000	4.966	1.094	1.101	3.526	2.151	4.272
GHDP-085C-385A-C6	9.000						
GHDP-085C-435A-C6	9.000						
GHDP-100C-385A-C1	18.000						
GHDP-100C-435A-C1	18.000						
GHDP-100C-485A-C1	18.000						
GHDP-100C-385A-C2	18.000						
GHDP-100C-435A-C2	18.000						
GHDP-100C-485A-C2	18.000						
GHDP-100C-535A-C2	18.000	9.656	1.976	1.971	6.406	3.803	7.076
GHDP-100C-585A-C2	18.000	13.032	3.444	3.841	6.417	3.811	7.099
GHDP-100C-535A-C3	18.000						
GHDP-100C-585A-C3	18.000						
GHDP-100C-535A-C4	18.000						
GHDP-100C-585A-C4	18.000	9.899	2.114	1.686	8.881	5.365	10.614
GHDP-130C-435A-C1	32.000						
GHDP-130C-485A-C1	32.000						
GHDP-130C-535A-C1	32.000	11.833	2.808	2.933	8.124	5.007	10.167
GHDP-130C-585A-C1	32.000	16.271	4.618	5.391	8.138	5.017	10.196
GHDP-130C-635A-C1	32.000	21.126	6.544	8.081	8.165	5.037	10.251
GHDP-130C-385A-C2	32.000						
GHDP-130C-435A-C2	32.000						
GHDP-130C-485A-C2	32.000						
GHDP-130C-535A-C2	32.000						
GHDP-130C-585A-C2	32.000	14.765	3.178	3.176	10.082	6.073	11.701
GHDP-130C-635A-C2	32.000	19.621	5.231	5.865	10.109	6.092	11.756
GHDP-130C-485A-C5	32.000						
GHDP-130C-535A-C5	32.000						
GHDP-130C-585A-C5	32.000						
GHDP-130C-635A-C5	32.000	17.186	4.502	4.992	10.875	6.792	14.189
GHDP-130C-685A-C5	32.000	22.356	6.576	7.856	10.859	6.780	14.156
GHDP-130C-735A-C5	32.000	27.917	8.776	10.937	10.842	6.767	14.121
GHDP-130C-535A-C6	32.000						
GHDP-130C-585A-C6	32.000						
GHDP-130C-635A-C6	32.000						
GHDP-130C-685A-C6	32.000						
GHDP-130C-735A-C6	32.000	24.897	6.220	6.696	14.563	8.808	17.139

Numéro de modèle	Couple max. Nm	3,5 BAR SYMMETRICAL - Normally closed Torque Output (Nm)					
		BTO	RTO	ETO	BTC	RTC	ETC
GHDP-085S-280A-C2	9.000						
GHDP-085S-335A-C2	9.000	1.955	835	945	2.336	1.123	1.475
GHDP-085S-385A-C2	9.000	3.100	1.569	2.197	2.326	1.116	1.464
GHDP-085S-435A-C2	9.000	4.410	2.392	3.628	2.321	1.113	1.459
GHDP-085S-335A-C3	9.000						
GHDP-085S-385A-C3	9.000						
GHDP-085S-435A-C3	9.000	3.519	1.564	1.863	3.782	1.801	2.340
GHDP-085S-335A-C5	9.000						
GHDP-085S-385A-C5	9.000						
GHDP-085S-435A-C5	9.000	3.162	1.329	1.473	4.105	2.007	2.692
GHDP-085S-385A-C6	9.000						
GHDP-085S-435A-C6	9.000						
GHDP-100S-385A-C1	18.000						
GHDP-100S-435A-C1	18.000						
GHDP-100S-485A-C1	18.000	5.445	1.908	1.891	6.311	2.762	3.225
GHDP-100S-535A-C1	18.000	7.394	3.327	4.022	6.315	2.764	3.228
GHDP-100S-585A-C1	18.000	9.544	4.704	6.372	6.327	2.773	3.242
GHDP-100S-385A-C2	18.000						
GHDP-100S-435A-C2	18.000						
GHDP-100S-485A-C2	18.000						
GHDP-100S-535A-C2	18.000	6.149	2.501	2.661	7.441	3.495	4.460
GHDP-100S-585A-C2	18.000	8.299	3.911	5.011	7.454	3.503	4.474
GHDP-100S-535A-C3	18.000	5.548	2.031	1.446	9.139	4.386	5.400
GHDP-100S-585A-C3	18.000	7.550	3.186	3.386	9.139	4.386	5.400
GHDP-100S-535A-C4	18.000						
GHDP-100S-585A-C4	18.000	6.380	2.511	2.252	10.363	5.151	6.750
GHDP-130S-435A-C1	32.000						
GHDP-130S-485A-C1	32.000	4.972	1.124	1.080	9.462	4.691	6.403
GHDP-130S-535A-C1	32.000	7.535	3.310	3.882	9.466	4.694	6.407
GHDP-130S-585A-C1	32.000	10.362	5.125	6.972	9.483	4.705	6.426
GHDP-130S-635A-C1	32.000	13.454	7.074	10.352	9.515	4.725	6.460
GHDP-130S-385A-C2	32.000						
GHDP-130S-435A-C2	32.000						
GHDP-130S-485A-C2	32.000						
GHDP-130S-535A-C2	32.000						
GHDP-130S-585A-C2	32.000	9.403	3.905	4.263	11.725	5.626	7.374
GHDP-130S-635A-C2	32.000	12.495	5.922	7.643	11.757	5.646	7.409
GHDP-130S-685A-C2	32.000	15.788	8.011	11.242	11.738	5.634	7.388
GHDP-130S-485A-C5	32.000						
GHDP-130S-535A-C5	32.000						
GHDP-130S-585A-C5	32.000	7.852	3.081	3.140	12.655	6.388	8.908
GHDP-130S-635A-C5	32.000	10.945	5.126	6.520	12.686	6.408	8.942
GHDP-130S-685A-C5	32.000	14.237	7.218	10.119	12.668	6.396	8.922
GHDP-130S-735A-C5	32.000	17.779	9.445	13.990	12.647	6.383	8.899
GHDP-130S-535A-C6	32.000						
GHDP-130S-585A-C6	32.000						
GHDP-130S-635A-C6	32.000						
GHDP-130S-685A-C6	32.000	12.313	4.834	4.930	16.963	8.192	10.824
GHDP-130S-735A-C6	32.000	15.855	7.198	8.801	16.943	8.179	10.802

Numéro de modèle	Couple max. Nm	4 BAR CANTED - Normally closed Torque Output (Nm)					
		BTO	RTO	ETO	BTC	RTC	ETC
GHDP-085C-280A-C2	9.000						
GHDP-085C-335A-C2	9.000	3.878	1.032	1.156	2.008	1.211	2.340
GHDP-085C-385A-C2	9.000	5.934	1.851	2.296	2.000	1.205	2.324
GHDP-085C-435A-C2	9.000	8.286	2.775	3.598	1.996	1.202	2.315
GHDP-085C-335A-C3	9.000						
GHDP-085C-385A-C3	9.000						
GHDP-085C-435A-C3	9.000	6.887	1.893	2.165	3.254	1.950	3.713
GHDP-085C-335A-C5	9.000						
GHDP-085C-385A-C5	9.000						
GHDP-085C-435A-C5	9.000	6.327	1.667	1.855	3.526	2.151	4.272
GHDP-085C-385A-C6	9.000						
GHDP-085C-435A-C6	9.000						
GHDP-100C-385A-C1	18.000						
GHDP-100C-435A-C1	18.000						
GHDP-100C-485A-C1	18.000	10.564	2.416	2.474	5.453	3.095	5.117
GHDP-100C-385A-C2	18.000						
GHDP-100C-435A-C2	18.000						
GHDP-100C-485A-C2	18.000	8.855	1.979	1.713	6.543	3.833	7.076
GHDP-100C-535A-C2	18.000	12.106	3.066	3.329	6.406	3.803	7.076
GHDP-100C-585A-C2	18.000	15.636	4.332	5.155	6.543	3.833	7.076
GHDP-100C-535A-C3	18.000	10.877	2.448	2.183	7.851	4.615	8.491
GHDP-100C-585A-C3	18.000	14.426	3.680	3.984	7.851	4.615	8.491
GHDP-100C-535A-C4	18.000	9.061	1.823	1.261	8.881	5.365	10.614
GHDP-100C-585A-C4	18.000	12.610	3.055	3.063	8.881	5.365	10.614
GHDP-130C-435A-C1	32.000						
GHDP-130C-485A-C1	32.000	10.455	2.173	2.169	8.120	5.004	10.159
GHDP-130C-535A-C1	32.000	15.054	4.130	4.717	8.124	5.007	10.167
GHDP-130C-585A-C1	32.000	20.122	6.148	7.525	8.138	5.017	10.196
GHDP-130C-635A-C1	32.000	25.664	8.332	10.594	8.165	5.037	10.251
GHDP-130C-385A-C2	32.000						
GHDP-130C-435A-C2	32.000						
GHDP-130C-485A-C2	32.000						
GHDP-130C-535A-C2	32.000						
GHDP-130C-585A-C2	32.000	18.617	4.822	5.309	10.082	6.073	11.701
GHDP-130C-635A-C2	32.000	24.158	7.050	8.379	10.109	6.092	11.756
GHDP-130C-485A-C5	32.000						
GHDP-130C-535A-C5	32.000						
GHDP-130C-585A-C5	32.000	16.182	4.091	4.436	10.849	6.772	14.134
GHDP-130C-635A-C5	32.000	21.724	6.325	7.506	10.875	6.792	14.189
GHDP-130C-685A-C5	32.000	27.636	8.666	10.781	10.859	6.780	14.156
GHDP-130C-735A-C5	32.000	33.997	11.167	14.304	10.842	6.767	14.121
GHDP-130C-535A-C6	32.000						
GHDP-130C-585A-C6	32.000						
GHDP-130C-635A-C6	32.000						
GHDP-130C-685A-C6	32.000	24.616	6.104	6.541	14.581	8.821	17.175
GHDP-130C-735A-C6	32.000	30.977	8.688	10.064	14.563	8.808	17.139

Numéro de modèle	Couple max. Nm	4 BAR SYMMETRICAL - Normally closed Torque Output (Nm)					
		BTO	RTO	ETO	BTC	RTC	ETC
GHDP-085S-280A-C2	9.000						
GHDP-085S-335A-C2	9.000	2.469	1.169	1.507	2.336	1.123	1.475
GHDP-085S-385A-C2	9.000	3.779	1.997	2.939	2.326	1.116	1.464
GHDP-085S-435A-C2	9.000	5.277	2.933	4.576	2.321	1.113	1.459
GHDP-085S-335A-C3	9.000						
GHDP-085S-385A-C3	9.000	2.888	1.141	1.173	3.788	1.805	2.345
GHDP-085S-435A-C3	9.000	4.386	2.122	2.810	3.782	1.801	2.340
GHDP-085S-335A-C5	9.000						
GHDP-085S-385A-C5	9.000	2.532	796	784	4.110	2.010	2.698
GHDP-085S-435A-C5	9.000	4.029	1.894	2.421	4.105	2.007	2.692
GHDP-085S-385A-C6	9.000						
GHDP-085S-435A-C6	9.000	3.478	1.326	1.320	5.016	2.435	3.238
GHDP-100S-385A-C1	18.000						
GHDP-100S-435A-C1	18.000	4.746	1.165	1.127	6.336	2.779	3.252
GHDP-100S-485A-C1	18.000	6.727	2.889	3.293	6.311	2.762	3.225
GHDP-100S-535A-C1	18.000	8.955	4.329	5.728	6.315	2.764	3.228
GHDP-100S-585A-C1	18.000	11.410	5.882	8.411	6.327	2.773	3.242
GHDP-100S-385A-C2	18.000						
GHDP-100S-435A-C2	18.000						
GHDP-100S-485A-C2	18.000	5.482	1.948	1.932	7.438	3.492	4.456
GHDP-100S-535A-C2	18.000	7.710	3.531	4.367	7.441	3.495	4.460
GHDP-100S-585A-C2	18.000	10.165	5.097	7.050	7.454	3.503	4.474
GHDP-100S-535A-C3	18.000	7.010	2.874	2.863	9.139	4.386	5.400
GHDP-100S-585A-C3	18.000	9.297	4.193	5.079	9.139	4.386	5.400
GHDP-100S-535A-C4	18.000	5.840	2.199	1.729	10.363	5.151	6.750
GHDP-100S-585A-C4	18.000	8.127	3.518	3.945	10.363	5.151	6.750
GHDP-130S-435A-C1	32.000						
GHDP-130S-485A-C1	32.000	6.658	2.725	2.923	9.462	4.691	6.403
GHDP-130S-535A-C1	32.000	9.587	4.632	6.125	9.466	4.694	6.407
GHDP-130S-585A-C1	32.000	12.815	6.672	9.653	9.483	4.705	6.426
GHDP-130S-635A-C1	32.000	16.344	8.884	13.511	9.515	4.725	6.460
GHDP-130S-385A-C2	32.000						
GHDP-130S-435A-C2	32.000						
GHDP-130S-485A-C2	32.000						
GHDP-130S-535A-C2	32.000	8.628	3.369	3.416	11.708	5.615	7.356
GHDP-130S-585A-C2	32.000	11.856	5.511	6.944	11.725	5.626	7.374
GHDP-130S-635A-C2	32.000	15.385	7.757	10.802	11.757	5.646	7.409
GHDP-130S-685A-C2	32.000	19.151	10.126	14.918	11.738	5.634	7.388
GHDP-130S-485A-C5	32.000						
GHDP-130S-535A-C5	32.000	7.077	2.322	2.293	12.638	6.377	8.889
GHDP-130S-585A-C5	32.000	10.305	4.714	5.821	12.655	6.388	8.908
GHDP-130S-635A-C5	32.000	13.835	6.964	9.679	12.686	6.408	8.942
GHDP-130S-685A-C5	32.000	17.600	9.333	13.795	12.668	6.396	8.922
GHDP-130S-735A-C5	32.000	21.651	11.868	18.223	12.647	6.383	8.899
GHDP-130S-535A-C6	32.000						
GHDP-130S-585A-C6	32.000						
GHDP-130S-635A-C6	32.000	11.911	4.512	4.490	16.982	8.204	10.845
GHDP-130S-685A-C6	32.000	15.677	7.082	8.606	16.963	8.192	10.824
GHDP-130S-735A-C6	32.000	19.728	9.677	13.034	16.943	8.179	10.802

Numéro de modèle	Couple max. Nm	4,5 BAR CANTED - Normally closed Torque Output (Nm)					
		BTO	RTO	ETO	BTC	RTC	ETC
GHDP-085C-280A-C2	9.000						
GHDP-085C-335A-C2	9.000	4.743	1.321	1.589	2.082	1.246	2.406
GHDP-085C-385A-C2	9.000	6.925	2.078	2.696	2.082	1.246	2.406
GHDP-085C-435A-C2	9.000						
GHDP-085C-335A-C3	9.000						
GHDP-085C-385A-C3	9.000	5.811	1.440	1.494	3.427	2.012	3.709
GHDP-085C-435A-C3	9.000	8.295	2.302	2.755	3.427	2.012	3.709
GHDP-085C-335A-C5	9.000						
GHDP-085C-385A-C5	9.000						
GHDP-085C-435A-C5	9.000	7.867	2.154	2.537	3.670	2.190	4.210
GHDP-085C-385A-C6	9.000						
GHDP-085C-435A-C6	9.000	6.997	1.631	1.541	4.783	2.817	5.227
GHDP-100C-385A-C1	18.000						
GHDP-100C-435A-C1	18.000	9.053	2.040	1.813	5.627	3.169	5.189
GHDP-100C-485A-C1	18.000	12.332	3.178	3.478	5.627	3.169	5.189
GHDP-100C-385A-C2	18.000						
GHDP-100C-435A-C2	18.000						
GHDP-100C-485A-C2	18.000	10.719	2.625	2.659	6.543	3.833	7.076
GHDP-100C-535A-C2	18.000	14.355	3.887	4.504	6.543	3.833	7.076
GHDP-100C-585A-C2	18.000						
GHDP-100C-535A-C3	18.000	13.144	3.235	3.334	7.851	4.615	8.491
GHDP-100C-585A-C3	18.000	17.137	4.620	5.360	7.851	4.615	8.491
GHDP-100C-535A-C4	18.000	11.329	2.610	2.412	8.881	5.365	10.614
GHDP-100C-585A-C4	18.000	15.321	3.995	4.439	8.881	5.365	10.614
GHDP-130C-435A-C1	32.000						
GHDP-130C-485A-C1	32.000						
GHDP-130C-535A-C1	32.000						
GHDP-130C-585A-C1	32.000						
GHDP-130C-635A-C1	32.000						
GHDP-130C-385A-C2	32.000						
GHDP-130C-435A-C2	32.000						
GHDP-130C-485A-C2	32.000						
GHDP-130C-535A-C2	32.000						
GHDP-130C-585A-C2	32.000						
GHDP-130C-635A-C2	32.000						
GHDP-130C-485A-C5	32.000						
GHDP-130C-535A-C5	32.000						
GHDP-130C-585A-C5	32.000						
GHDP-130C-635A-C5	32.000						
GHDP-130C-685A-C5	32.000						
GHDP-130C-735A-C5	32.000						
GHDP-130C-535A-C6	32.000						
GHDP-130C-585A-C6	32.000						
GHDP-130C-635A-C6	32.000						
GHDP-130C-685A-C6	32.000						
GHDP-130C-735A-C6	32.000						

Numéro de modèle	Couple max. Nm	4,5 BAR SYMMETRICAL - Normally closed Torque Output (Nm)					
		BTO	RTO	ETO	BTC	RTC	ETC
GHDP-085S-280A-C2	9.000	1.736	715	719	2.357	1.136	1.498
GHDP-085S-335A-C2	9.000	3.057	1.477	1.999	2.336	1.123	1.475
GHDP-085S-385A-C2	9.000	4.463	2.288	3.362	2.326	1.116	1.464
GHDP-085S-435A-C2	9.000	6.064	3.212	4.914	2.321	1.113	1.459
GHDP-085S-335A-C3	9.000	2.339	839	553	3.797	1.811	2.356
GHDP-085S-385A-C3	9.000	3.745	1.650	1.916	3.788	1.805	2.345
GHDP-085S-435A-C3	9.000	5.346	2.574	3.468	3.782	1.801	2.340
GHDP-085S-335A-C5	9.000						
GHDP-085S-385A-C5	9.000	3.468	1.491	1.648	4.110	2.010	2.698
GHDP-085S-435A-C5	9.000	5.070	2.415	3.200	4.105	2.007	2.692
GHDP-085S-385A-C6	9.000						
GHDP-085S-435A-C6	9.000	4.282	1.938	2.310	5.016	2.435	3.238
GHDP-100S-385A-C1	18.000						
GHDP-100S-435A-C1	18.000	5.834	2.391	2.379	6.336	2.779	3.252
GHDP-100S-485A-C1	18.000	7.948	3.610	4.427	6.311	2.762	3.225
GHDP-100S-535A-C1	18.000	10.291	4.962	6.698	6.315	2.764	3.228
GHDP-100S-585A-C1	18.000	12.864	6.446	9.192	6.315	2.764	3.228
GHDP-100S-385A-C2	18.000						
GHDP-100S-435A-C2	18.000	4.794	1.791	1.371	7.463	3.508	4.483
GHDP-100S-485A-C2	18.000	6.908	3.010	3.419	7.438	3.492	4.456
GHDP-100S-535A-C2	18.000	9.251	4.362	5.690	7.441	3.495	4.460
GHDP-100S-585A-C2	18.000	11.824	5.846	8.184	7.454	3.503	4.474
GHDP-100S-535A-C3	18.000	8.471	3.717	4.279	9.139	4.386	5.400
GHDP-100S-585A-C3	18.000	11.044	5.201	6.773	9.139	4.386	5.400
GHDP-100S-535A-C4	18.000	7.301	3.042	3.145	10.363	5.151	6.750
GHDP-100S-585A-C4	18.000	9.874	4.526	5.639	10.363	5.151	6.750
GHDP-130S-435A-C1	32.000						
GHDP-130S-485A-C1	32.000						
GHDP-130S-535A-C1	32.000						
GHDP-130S-585A-C1	32.000						
GHDP-130S-635A-C1	32.000						
GHDP-130S-385A-C2	32.000						
GHDP-130S-435A-C2	32.000						
GHDP-130S-485A-C2	32.000						
GHDP-130S-535A-C2	32.000						
GHDP-130S-585A-C2	32.000						
GHDP-130S-635A-C2	32.000						
GHDP-130S-685A-C2	32.000						
GHDP-130S-485A-C5	32.000						
GHDP-130S-535A-C5	32.000						
GHDP-130S-585A-C5	32.000						
GHDP-130S-635A-C5	32.000						
GHDP-130S-685A-C5	32.000						
GHDP-130S-735A-C5	32.000						
GHDP-130S-535A-C6	32.000						
GHDP-130S-585A-C6	32.000						
GHDP-130S-635A-C6	32.000						
GHDP-130S-685A-C6	32.000						
GHDP-130S-735A-C6	32.000						

Numéro de modèle	Couple max. Nm	5 BAR CANTED - Normally closed Torque Output (Nm)					
		BTO	RTO	ETO	BTC	RTC	ETC
GHDP-085C-280A-C2	9.000	3.093	706	722	2.026	1.224	2.378
GHDP-085C-335A-C2	9.000	5.492	1.676	2.051	2.008	1.211	2.340
GHDP-085C-385A-C2	9.000	8.067	2.689	3.477	2.000	1.205	2.324
GHDP-085C-435A-C2	9.000						
GHDP-085C-335A-C3	9.000						
GHDP-085C-385A-C3	9.000	6.668	1.805	2.044	3.258	1.953	3.722
GHDP-085C-435A-C3	9.000						
GHDP-085C-335A-C5	9.000						
GHDP-085C-385A-C5	9.000	6.108	1.577	1.733	3.530	2.154	4.281
GHDP-085C-435A-C5	9.000	9.049	2.754	3.363	3.526	2.151	4.272
GHDP-085C-385A-C6	9.000						
GHDP-085C-435A-C6	9.000	8.183	2.194	2.469	4.310	2.617	5.137
GHDP-100C-385A-C1	18.000	7.304	1.433	925	5.627	3.169	5.189
GHDP-100C-435A-C1	18.000	10.692	2.472	2.545	5.474	3.110	5.160
GHDP-100C-485A-C1	18.000	14.613	4.375	4.707	5.463	3.151	5.122
GHDP-100C-385A-C2	18.000						
GHDP-100C-435A-C2	18.000	8.938	2.007	1.755	6.543	3.833	7.076
GHDP-100C-485A-C2	18.000	12.636	3.283	3.622	6.403	3.801	7.070
GHDP-100C-535A-C2	18.000	16.622	4.674	5.655	6.543	3.833	7.076
GHDP-100C-585A-C2	18.000						
GHDP-100C-535A-C3	18.000	15.412	4.022	4.485	7.851	4.615	8.491
GHDP-100C-585A-C3	18.000						
GHDP-100C-535A-C4	18.000	13.596	3.397	3.563	8.881	5.365	10.614
GHDP-100C-585A-C4	18.000						
GHDP-130C-435A-C1	32.000	10.624	2.265	2.263	8.148	5.024	10.216
GHDP-130C-485A-C1	32.000	15.750	4.409	5.102	8.120	5.004	10.159
GHDP-130C-535A-C1	32.000	21.496	6.691	8.286	8.124	5.007	10.167
GHDP-130C-585A-C1	32.000	27.825	9.180	11.792	8.138	5.017	10.196
GHDP-130C-635A-C1	32.000	34.740	11.892	15.622	8.165	5.037	10.251
GHDP-130C-385A-C2	32.000						
GHDP-130C-435A-C2	32.000						
GHDP-130C-485A-C2	32.000	14.244	2.894	2.887	10.064	6.059	11.664
GHDP-130C-535A-C2	32.000	19.991	5.381	6.070	10.068	6.062	11.672
GHDP-130C-585A-C2	32.000	26.320	7.908	9.576	10.082	6.073	11.701
GHDP-130C-635A-C2	32.000	33.234	10.637	13.407	10.109	6.092	11.756
GHDP-130C-485A-C5	32.000						
GHDP-130C-535A-C5	32.000	17.556	4.652	5.197	10.834	6.761	14.105
GHDP-130C-585A-C5	32.000	23.885	7.183	8.703	10.849	6.772	14.134
GHDP-130C-635A-C5	32.000	30.800	9.911	12.534	10.875	6.792	14.189
GHDP-130C-685A-C5	32.000						
GHDP-130C-735A-C5	32.000						
GHDP-130C-535A-C6	32.000						
GHDP-130C-585A-C6	32.000	20.865	4.466	4.463	14.570	8.813	17.153
GHDP-130C-635A-C6	32.000	27.780	7.400	8.293	14.596	8.833	17.207
GHDP-130C-685A-C6	32.000						
GHDP-130C-735A-C6	32.000						

Numéro de modèle	Couple max. Nm	5 BAR SYMMETRICAL - Normally closed Torque Output (Nm)					
		BTO	RTO	ETO	BTC	RTC	ETC
GHDP-085S-280A-C2	9.000	1.970	845	961	2.357	1.136	1.498
GHDP-085S-335A-C2	9.000	3.498	1.820	2.631	2.336	1.123	1.475
GHDP-085S-385A-C2	9.000	5.137	2.846	4.423	2.326	1.116	1.464
GHDP-085S-435A-C2	9.000	7.010	4.014	6.471	2.321	1.113	1.459
GHDP-085S-335A-C3	9.000	2.826	1.120	1.025	3.797	1.811	2.356
GHDP-085S-385A-C3	9.000	4.246	2.033	2.658	3.788	1.805	2.345
GHDP-085S-435A-C3	9.000	6.120	3.216	4.705	3.782	1.801	2.340
GHDP-085S-335A-C5	9.000	2.250	496	476	4.120	2.016	2.708
GHDP-085S-385A-C5	9.000	3.890	1.805	2.268	4.110	2.010	2.698
GHDP-085S-435A-C5	9.000	5.763	2.992	4.316	4.105	2.007	2.692
GHDP-085S-385A-C6	9.000	3.338	1.178	1.167	5.021	2.438	3.243
GHDP-085S-435A-C6	9.000	5.211	2.479	3.215	5.016	2.435	3.238
GHDP-100S-385A-C1	18.000	4.580	988	946	6.342	2.783	3.259
GHDP-100S-435A-C1	18.000	6.809	2.944	3.382	6.336	2.779	3.252
GHDP-100S-485A-C1	18.000	9.292	4.544	6.096	6.311	2.762	3.225
GHDP-100S-535A-C1	18.000	12.076	6.301	9.139	6.315	2.764	3.228
GHDP-100S-585A-C1	18.000						
GHDP-100S-385A-C2	18.000						
GHDP-100S-435A-C2	18.000	5.564	2.035	2.021	7.463	3.508	4.483
GHDP-100S-485A-C2	18.000	8.047	3.748	4.735	7.438	3.492	4.456
GHDP-100S-535A-C2	18.000	10.831	5.517	7.778	7.441	3.495	4.460
GHDP-100S-585A-C2	18.000	13.896	7.443	11.129	7.454	3.503	4.474
GHDP-100S-535A-C3	18.000	9.932	4.560	5.695	9.139	4.386	5.400
GHDP-100S-585A-C3	18.000	12.791	6.209	8.466	9.139	4.386	5.400
GHDP-100S-535A-C4	18.000	8.762	3.885	4.561	10.363	5.151	6.750
GHDP-100S-585A-C4	18.000	11.621	5.534	7.332	10.363	5.151	6.750
GHDP-130S-435A-C1	32.000	6.766	2.799	3.041	9.495	4.712	6.439
GHDP-130S-485A-C1	32.000	10.030	4.914	6.609	9.462	4.691	6.403
GHDP-130S-535A-C1	32.000	13.690	7.222	10.610	9.466	4.694	6.407
GHDP-130S-585A-C1	32.000	17.721	9.744	15.016	9.483	4.705	6.426
GHDP-130S-635A-C1	32.000	22.125	12.492	19.829	9.515	4.725	6.460
GHDP-130S-385A-C2	32.000						
GHDP-130S-435A-C2	32.000						
GHDP-130S-485A-C2	32.000	9.071	3.679	3.900	11.704	5.612	7.351
GHDP-130S-535A-C2	32.000	12.731	6.072	7.901	11.708	5.615	7.356
GHDP-130S-585A-C2	32.000	16.762	8.626	12.307	11.725	5.626	7.374
GHDP-130S-635A-C2	32.000	21.166	11.389	17.120	11.757	5.646	7.409
GHDP-130S-685A-C2	32.000	25.877	14.334	22.271	11.738	5.634	7.388
GHDP-130S-485A-C5	32.000	7.521	2.793	2.777	12.633	6.374	8.884
GHDP-130S-535A-C5	32.000	11.180	5.277	6.778	12.638	6.377	8.889
GHDP-130S-585A-C5	32.000	15.211	7.832	11.184	12.655	6.388	8.908
GHDP-130S-635A-C5	32.000	19.615	10.595	15.997	12.686	6.408	8.942
GHDP-130S-685A-C5	32.000	24.327	13.539	21.147	12.668	6.396	8.922
GHDP-130S-735A-C5	32.000	29.395	16.700	26.688	12.647	6.383	8.899
GHDP-130S-535A-C6	32.000						
GHDP-130S-585A-C6	32.000	13.288	5.505	5.994	16.950	8.184	10.810
GHDP-130S-635A-C6	32.000	17.691	8.379	10.808	16.982	8.204	10.845
GHDP-130S-685A-C6	32.000	22.403	11.370	15.958	16.963	8.192	10.824
GHDP-130S-735A-C6	32.000	27.472	14.557	21.498	16.943	8.179	10.802

Numéro de modèle	Couple max. Nm	5,5 BAR CANTED - Normally closed Torque Output (Nm)					
		BTO	RTO	ETO	BTC	RTC	ETC
GHDP-085C-280A-C2	9.000	3.657	942	1.034	2.026	1.224	2.378
GHDP-085C-335A-C2	9.000	6.299	1.995	2.498	2.008	1.211	2.340
GHDP-085C-385A-C2	9.000	9.133	3.107	4.067	2.000	1.205	2.324
GHDP-085C-435A-C2	9.000						
GHDP-085C-335A-C3	9.000	4.901	1.064	1.065	3.266	1.959	3.738
GHDP-085C-385A-C3	9.000	7.734	2.232	2.634	3.258	1.953	3.722
GHDP-085C-435A-C3	9.000						
GHDP-085C-335A-C5	9.000						
GHDP-085C-385A-C5	9.000	7.175	2.008	2.324	3.530	2.154	4.281
GHDP-085C-435A-C5	9.000						
GHDP-085C-385A-C6	9.000	6.309	1.412	1.430	4.315	2.620	5.146
GHDP-085C-435A-C6	9.000						
GHDP-100C-385A-C1	18.000	8.478	1.841	1.521	5.627	3.169	5.189
GHDP-100C-435A-C1	18.000	12.312	3.151	3.443	5.474	3.110	5.160
GHDP-100C-485A-C1	18.000	16.059	4.472	5.370	5.627	3.169	5.189
GHDP-100C-385A-C2	18.000						
GHDP-100C-435A-C2	18.000	10.357	2.326	2.360	6.424	3.817	7.114
GHDP-100C-485A-C2	18.000						
GHDP-100C-535A-C2	18.000						
GHDP-100C-585A-C2	18.000						
GHDP-100C-535A-C3	18.000						
GHDP-100C-585A-C3	18.000						
GHDP-100C-535A-C4	18.000	15.863	4.183	4.714	8.881	5.365	10.614
GHDP-100C-585A-C4	18.000						
GHDP-130C-435A-C1	32.000	12.754	3.194	3.443	8.148	5.024	10.216
GHDP-130C-485A-C1	32.000	18.397	5.465	6.569	8.120	5.004	10.159
GHDP-130C-535A-C1	32.000	24.718	7.959	10.070	8.124	5.007	10.167
GHDP-130C-585A-C1	32.000	31.677	10.691	13.925	8.138	5.017	10.196
GHDP-130C-635A-C1	32.000						
GHDP-130C-385A-C2	32.000						
GHDP-130C-435A-C2	32.000						
GHDP-130C-485A-C2	32.000	16.891	4.109	4.354	10.064	6.059	11.664
GHDP-130C-535A-C2	32.000	23.212	6.673	7.855	10.068	6.062	11.672
GHDP-130C-585A-C2	32.000	30.171	9.431	11.710	10.082	6.073	11.701
GHDP-130C-635A-C2	32.000						
GHDP-130C-485A-C5	32.000	14.457	3.367	3.480	10.830	6.758	14.097
GHDP-130C-535A-C5	32.000	20.777	5.948	6.982	10.834	6.761	14.105
GHDP-130C-585A-C5	32.000	27.737	8.705	10.837	10.849	6.772	14.134
GHDP-130C-635A-C5	32.000						
GHDP-130C-685A-C5	32.000						
GHDP-130C-735A-C5	32.000						
GHDP-130C-535A-C6	32.000						
GHDP-130C-585A-C6	32.000	24.717	6.145	6.596	14.570	8.813	17.153
GHDP-130C-635A-C6	32.000	32.318	9.224	10.807	14.596	8.833	17.207
GHDP-130C-685A-C6	32.000						
GHDP-130C-735A-C6	32.000						

Numéro de modèle	Couple max. Nm	5,5 BAR SYMMETRICAL - Normally closed Torque Output (Nm)					
		BTO	RTO	ETO	BTC	RTC	ETC
GHDP-085S-280A-C2	9.000	2.329	1.079	1.354	2.357	1.136	1.498
GHDP-085S-335A-C2	9.000	4.012	2.142	3.193	2.336	1.123	1.475
GHDP-085S-385A-C2	9.000	5.816	3.270	5.166	2.326	1.116	1.464
GHDP-085S-435A-C2	9.000	7.877	4.554	7.418	2.321	1.113	1.459
GHDP-085S-335A-C3	9.000	3.121	1.301	1.428	3.797	1.811	2.356
GHDP-085S-385A-C3	9.000	4.925	2.464	3.400	3.788	1.805	2.345
GHDP-085S-435A-C3	9.000	6.986	3.760	5.653	3.782	1.801	2.340
GHDP-085S-335A-C5	9.000	2.764	1.043	1.038	4.120	2.016	2.708
GHDP-085S-385A-C5	9.000	4.569	2.238	3.010	4.110	2.010	2.698
GHDP-085S-435A-C5	9.000	6.630	3.536	5.263	4.105	2.007	2.692
GHDP-085S-385A-C6	9.000	4.017	1.703	1.910	5.021	2.438	3.243
GHDP-085S-435A-C6	9.000	6.078	3.030	4.162	5.016	2.435	3.238
GHDP-100S-385A-C1	18.000	5.388	1.848	1.829	6.342	2.783	3.259
GHDP-100S-435A-C1	18.000	7.841	3.616	4.510	6.336	2.779	3.252
GHDP-100S-485A-C1	18.000	10.574	5.355	7.498	6.311	2.762	3.225
GHDP-100S-535A-C1	18.000	13.636	7.280	10.844	6.315	2.764	3.228
GHDP-100S-585A-C1	18.000						
GHDP-100S-385A-C2	18.000						
GHDP-100S-435A-C2	18.000	6.596	2.802	3.149	7.463	3.508	4.483
GHDP-100S-485A-C2	18.000	9.329	4.567	6.137	7.438	3.492	4.456
GHDP-100S-535A-C2	18.000	12.391	6.499	9.484	7.441	3.495	4.460
GHDP-100S-585A-C2	18.000	15.318	7.862	11.571	7.441	3.495	4.460
GHDP-100S-535A-C3	18.000	11.393	5.403	7.111	9.139	4.386	5.400
GHDP-100S-585A-C3	18.000	14.538	7.217	10.159	9.139	4.386	5.400
GHDP-100S-535A-C4	18.000	10.223	4.728	5.977	10.363	5.151	6.750
GHDP-100S-585A-C4	18.000	13.368	6.542	9.025	10.363	5.151	6.750
GHDP-130S-435A-C1	32.000	8.122	3.693	4.524	9.495	4.712	6.439
GHDP-130S-485A-C1	32.000	11.716	5.981	8.452	9.462	4.691	6.403
GHDP-130S-535A-C1	32.000	15.742	8.507	12.852	9.466	4.694	6.407
GHDP-130S-585A-C1	32.000	20.174	11.275	17.697	9.483	4.705	6.426
GHDP-130S-635A-C1	32.000	25.015	14.293	22.988	9.515	4.725	6.460
GHDP-130S-385A-C2	32.000						
GHDP-130S-435A-C2	32.000	7.163	1.867	1.815	11.737	5.634	7.387
GHDP-130S-485A-C2	32.000	10.757	4.800	5.743	11.704	5.612	7.351
GHDP-130S-535A-C2	32.000	14.783	7.376	10.143	11.708	5.615	7.356
GHDP-130S-585A-C2	32.000	19.215	10.166	14.988	11.725	5.626	7.374
GHDP-130S-635A-C2	32.000	24.056	13.196	20.280	11.757	5.646	7.409
GHDP-130S-685A-C2	32.000	29.241	16.432	25.947	11.738	5.634	7.388
GHDP-130S-485A-C5	32.000	9.207	3.998	4.620	12.633	6.374	8.884
GHDP-130S-535A-C5	32.000	13.232	6.583	9.020	12.638	6.377	8.889
GHDP-130S-585A-C5	32.000	17.664	9.373	13.865	12.655	6.388	8.908
GHDP-130S-635A-C5	32.000	22.505	12.402	19.156	12.686	6.408	8.942
GHDP-130S-685A-C5	32.000	27.690	15.637	24.824	12.668	6.396	8.922
GHDP-130S-735A-C5	32.000	33.268	19.111	30.920	12.647	6.383	8.899
GHDP-130S-535A-C6	32.000	11.308	3.871	3.831	16.933	8.173	10.792
GHDP-130S-585A-C6	32.000	15.741	7.123	8.676	16.950	8.184	10.810
GHDP-130S-635A-C6	32.000	20.582	10.219	13.967	16.982	8.204	10.845
GHDP-130S-685A-C6	32.000	25.766	13.487	19.634	16.963	8.192	10.824
GHDP-130S-735A-C6	32.000	31.344	16.982	25.731	16.943	8.179	10.802

Numéro de modèle	Couple max. Nm	6 BAR CANTED - Normally closed Torque Output (Nm)					
		BTO	RTO	ETO	BTC	RTC	ETC
GHDP-085C-280A-C2	9.000	4.221	1.171	1.347	2.026	1.224	2.378
GHDP-085C-335A-C2	9.000	7.107	2.312	2.945	2.008	1.211	2.340
GHDP-085C-385A-C2	9.000						
GHDP-085C-435A-C2	9.000						
GHDP-085C-335A-C3	9.000	5.708	1.412	1.512	3.266	1.959	3.738
GHDP-085C-385A-C3	9.000	8.801	2.656	3.225	3.258	1.953	3.722
GHDP-085C-435A-C3	9.000						
GHDP-085C-335A-C5	9.000	5.148	1.175	1.202	3.538	2.160	4.298
GHDP-085C-385A-C5	9.000	8.241	2.434	2.915	3.530	2.154	4.281
GHDP-085C-435A-C5	9.000						
GHDP-085C-385A-C6	9.000	7.375	1.864	2.021	4.315	2.620	5.146
GHDP-085C-435A-C6	9.000						
GHDP-100C-385A-C1	18.000	9.730	2.016	2.012	5.479	3.114	5.171
GHDP-100C-435A-C1	18.000	13.932	3.809	4.340	5.474	3.110	5.160
GHDP-100C-485A-C1	18.000						
GHDP-100C-385A-C2	18.000	8.038	1.695	1.298	6.543	3.833	7.076
GHDP-100C-435A-C2	18.000	11.977	3.013	3.257	6.424	3.817	7.114
GHDP-100C-485A-C2	18.000						
GHDP-100C-535A-C2	18.000						
GHDP-100C-585A-C2	18.000						
GHDP-100C-535A-C3	18.000						
GHDP-100C-585A-C3	18.000						
GHDP-100C-535A-C4	18.000						
GHDP-100C-585A-C4	18.000						
GHDP-130C-435A-C1	32.000	14.884	4.061	4.623	8.148	5.024	10.216
GHDP-130C-485A-C1	32.000	21.044	6.512	8.035	8.120	5.004	10.159
GHDP-130C-535A-C1	32.000	27.939	9.225	11.854	8.124	5.007	10.167
GHDP-130C-585A-C1	32.000						
GHDP-130C-635A-C1	32.000						
GHDP-130C-385A-C2	32.000						
GHDP-130C-435A-C2	32.000						
GHDP-130C-485A-C2	32.000	19.539	5.198	5.820	10.064	6.059	11.664
GHDP-130C-535A-C2	32.000	26.433	7.953	9.639	10.068	6.062	11.672
GHDP-130C-585A-C2	32.000	34.023	10.947	13.843	10.082	6.073	11.701
GHDP-130C-635A-C2	32.000						
GHDP-130C-485A-C5	32.000	17.104	4.469	4.947	10.830	6.758	14.097
GHDP-130C-535A-C5	32.000	23.999	7.228	8.766	10.834	6.761	14.105
GHDP-130C-585A-C5	32.000	31.588	10.221	12.970	10.849	6.772	14.134
GHDP-130C-635A-C5	32.000						
GHDP-130C-685A-C5	32.000						
GHDP-130C-735A-C5	32.000						
GHDP-130C-535A-C6	32.000	20.979	4.528	4.526	14.556	8.803	17.123
GHDP-130C-585A-C6	32.000	28.568	7.719	8.730	14.570	8.813	17.153
GHDP-130C-635A-C6	32.000						
GHDP-130C-685A-C6	32.000						
GHDP-130C-735A-C6	32.000						

Numéro de modèle	Couple max. Nm	6 BAR SYMMETRICAL - Normally closed Torque Output (Nm)					
		BTO	RTO	ETO	BTC	RTC	ETC
GHDP-085S-280A-C2	9.000	2.688	1.308	1.746	2.357	1.136	1.498
GHDP-085S-335A-C2	9.000	4.526	2.464	3.755	2.336	1.123	1.475
GHDP-085S-385A-C2	9.000	6.495	3.693	5.908	2.326	1.116	1.464
GHDP-085S-435A-C2	9.000	8.744	5.093	8.366	2.321	1.113	1.459
GHDP-085S-335A-C3	9.000	3.635	1.640	1.990	3.797	1.811	2.356
GHDP-085S-385A-C3	9.000	5.605	2.893	4.142	3.788	1.805	2.345
GHDP-085S-435A-C3	9.000	7.853	4.302	6.600	3.782	1.801	2.340
GHDP-085S-335A-C5	9.000	3.278	1.406	1.600	4.120	2.016	2.708
GHDP-085S-385A-C5	9.000	5.248	2.668	3.753	4.110	2.010	2.698
GHDP-085S-435A-C5	9.000	7.497	4.079	6.211	4.105	2.007	2.692
GHDP-085S-385A-C6	9.000	4.696	2.148	2.652	5.021	2.438	3.243
GHDP-085S-435A-C6	9.000	6.945	3.577	5.110	5.016	2.435	3.238
GHDP-100S-385A-C1	18.000	6.196	2.533	2.713	6.342	2.783	3.259
GHDP-100S-435A-C1	18.000	8.872	4.277	5.638	6.336	2.779	3.252
GHDP-100S-485A-C1	18.000	11.857	6.163	8.899	6.311	2.762	3.225
GHDP-100S-535A-C1	18.000						
GHDP-100S-585A-C1	18.000						
GHDP-100S-385A-C2	18.000	4.951	1.383	1.352	7.469	3.512	4.490
GHDP-100S-435A-C2	18.000	7.627	3.478	4.277	7.463	3.508	4.483
GHDP-100S-485A-C2	18.000	10.612	5.379	7.539	7.438	3.492	4.456
GHDP-100S-535A-C2	18.000	13.951	7.477	11.189	7.441	3.495	4.460
GHDP-100S-585A-C2	18.000	17.065	8.870	13.264	7.441	3.495	4.460
GHDP-100S-535A-C3	18.000	12.854	6.246	8.528	9.139	4.386	5.400
GHDP-100S-585A-C3	18.000	16.285	8.225	11.853	9.139	4.386	5.400
GHDP-100S-535A-C4	18.000	11.684	5.571	7.394	10.363	5.151	6.750
GHDP-100S-585A-C4	18.000	15.115	7.550	10.719	10.363	5.151	6.750
GHDP-130S-435A-C1	32.000	9.478	4.563	6.006	9.495	4.712	6.439
GHDP-130S-485A-C1	32.000	13.402	7.041	10.295	9.462	4.691	6.403
GHDP-130S-535A-C1	32.000	17.793	9.790	15.095	9.466	4.694	6.407
GHDP-130S-585A-C1	32.000	22.627	12.805	20.378	9.483	4.705	6.426
GHDP-130S-635A-C1	32.000	27.905	16.093	26.148	9.515	4.725	6.460
GHDP-130S-385A-C2	32.000						
GHDP-130S-435A-C2	32.000	8.520	3.292	3.297	11.737	5.634	7.387
GHDP-130S-485A-C2	32.000	12.443	5.888	7.586	11.704	5.612	7.351
GHDP-130S-535A-C2	32.000	16.834	8.671	12.386	11.708	5.615	7.356
GHDP-130S-585A-C2	32.000	21.668	11.703	17.669	11.725	5.626	7.374
GHDP-130S-635A-C2	32.000	26.946	15.001	23.439	11.757	5.646	7.409
GHDP-130S-685A-C2	32.000	32.604	18.529	29.623	11.738	5.634	7.388
GHDP-130S-485A-C5	32.000	10.893	5.093	6.463	12.633	6.374	8.884
GHDP-130S-535A-C5	32.000	15.284	7.878	11.263	12.638	6.377	8.889
GHDP-130S-585A-C5	32.000	20.117	10.909	16.546	12.655	6.388	8.908
GHDP-130S-635A-C5	32.000	25.395	14.205	22.315	12.686	6.408	8.942
GHDP-130S-685A-C5	32.000	31.053	17.732	28.500	12.668	6.396	8.922
GHDP-130S-735A-C5	32.000						
GHDP-130S-535A-C6	32.000	13.360	5.554	6.073	16.933	8.173	10.792
GHDP-130S-585A-C6	32.000	18.194	8.701	11.357	16.950	8.184	10.810
GHDP-130S-635A-C6	32.000	23.472	12.044	17.126	16.982	8.204	10.845
GHDP-130S-685A-C6	32.000	29.130	15.596	23.311	16.963	8.192	10.824
GHDP-130S-735A-C6	32.000						

Numéro de modèle	Couple max. Nm	7 BAR CANTED - Normally closed Torque Output (Nm)					
		BTO	RTO	ETO	BTC	RTC	ETC
GHDP-085C-280A-C2	9.000	5.349	1.620	1.971	2.026	1.224	2.378
GHDP-085C-335A-C2	9.000	8.721	2.946	3.839	2.008	1.211	2.340
GHDP-085C-385A-C2	9.000						
GHDP-085C-435A-C2	9.000						
GHDP-085C-335A-C3	9.000	7.323	2.068	2.406	3.266	1.959	3.738
GHDP-085C-385A-C3	9.000						
GHDP-085C-435A-C3	9.000						
GHDP-085C-335A-C5	9.000	6.763	1.843	2.096	3.538	2.160	4.298
GHDP-085C-385A-C5	9.000						
GHDP-085C-435A-C5	9.000						
GHDP-085C-385A-C6	9.000						
GHDP-085C-435A-C6	9.000						
GHDP-100C-385A-C1	18.000	12.268	3.132	3.418	5.479	3.114	5.171
GHDP-100C-435A-C1	18.000						
GHDP-100C-485A-C1	18.000						
GHDP-100C-385A-C2	18.000	10.313	2.306	2.335	6.429	3.821	7.125
GHDP-100C-435A-C2	18.000						
GHDP-100C-485A-C2	18.000						
GHDP-100C-535A-C2	18.000						
GHDP-100C-585A-C2	18.000						
GHDP-100C-535A-C3	18.000						
GHDP-100C-585A-C3	18.000						
GHDP-100C-535A-C4	18.000						
GHDP-100C-585A-C4	18.000						
GHDP-130C-435A-C1	32.000	19.143	5.760	6.982	8.148	5.024	10.216
GHDP-130C-485A-C1	32.000	26.339	8.597	10.968	8.120	5.004	10.159
GHDP-130C-535A-C1	32.000	34.381	11.751	15.423	8.124	5.007	10.167
GHDP-130C-585A-C1	32.000						
GHDP-130C-635A-C1	32.000						
GHDP-130C-385A-C2	32.000						
GHDP-130C-435A-C2	32.000	17.637	4.420	4.767	10.092	6.080	11.721
GHDP-130C-485A-C2	32.000	24.833	7.318	8.753	10.064	6.059	11.664
GHDP-130C-535A-C2	32.000	32.876	10.496	13.208	10.068	6.062	11.672
GHDP-130C-585A-C2	32.000						
GHDP-130C-635A-C2	32.000						
GHDP-130C-485A-C5	32.000	22.399	6.593	7.880	10.830	6.758	14.097
GHDP-130C-535A-C5	32.000	30.441	9.770	12.335	10.834	6.761	14.105
GHDP-130C-585A-C5	32.000						
GHDP-130C-635A-C5	32.000						
GHDP-130C-685A-C5	32.000						
GHDP-130C-735A-C5	32.000						
GHDP-130C-535A-C6	32.000	27.421	7.254	8.095	14.556	8.803	17.123
GHDP-130C-585A-C6	32.000						
GHDP-130C-635A-C6	32.000						
GHDP-130C-685A-C6	32.000						
GHDP-130C-735A-C6	32.000						

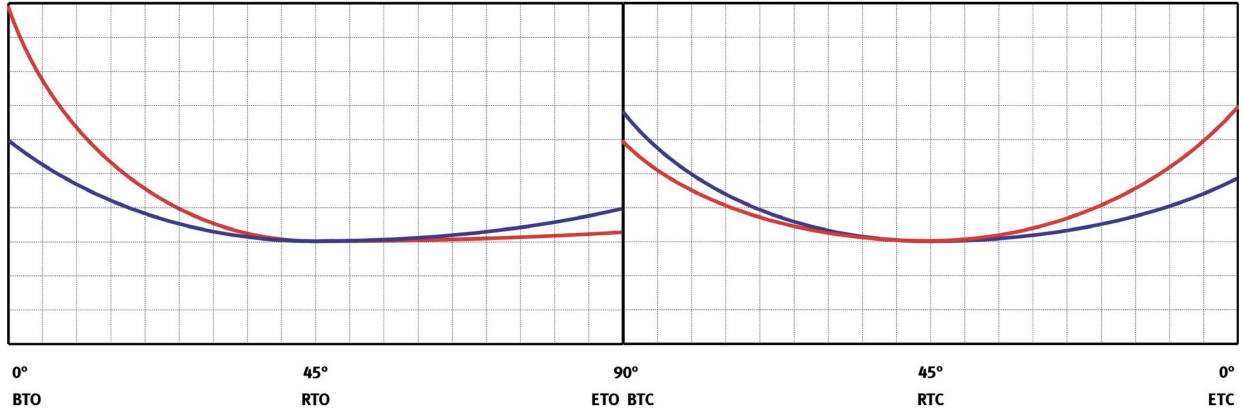
Numéro de modèle	Couple max. Nm	7 BAR SYMMETRICAL - Normally closed Torque Output (Nm)					
		BTO	RTO	ETO	BTC	RTC	ETC
GHDP-085S-280A-C2	9.000	3.406	1.762	2.531	2.357	1.136	1.498
GHDP-085S-335A-C2	9.000	5.554	3.106	4.879	2.336	1.123	1.475
GHDP-085S-385A-C2	9.000	7.854	4.539	7.392	2.326	1.116	1.464
GHDP-085S-435A-C2	9.000						
GHDP-085S-335A-C3	9.000	4.663	2.298	3.114	3.797	1.811	2.356
GHDP-085S-385A-C3	9.000	6.963	3.745	5.627	3.788	1.805	2.345
GHDP-085S-435A-C3	9.000	9.587	5.384	8.496	3.782	1.801	2.340
GHDP-085S-335A-C5	9.000	4.307	2.072	2.724	4.120	2.016	2.708
GHDP-085S-385A-C5	9.000	6.606	3.521	5.237	4.110	2.010	2.698
GHDP-085S-435A-C5	9.000	9.230	5.162	8.106	4.105	2.007	2.692
GHDP-085S-385A-C6	9.000	6.055	3.015	4.136	5.021	2.438	3.243
GHDP-085S-435A-C6	9.000	8.679	4.665	7.005	5.016	2.435	3.238
GHDP-100S-385A-C1	18.000	7.813	3.598	4.479	6.342	2.783	3.259
GHDP-100S-435A-C1	18.000	10.936	5.583	7.893	6.336	2.779	3.252
GHDP-100S-485A-C1	18.000						
GHDP-100S-535A-C1	18.000						
GHDP-100S-585A-C1	18.000						
GHDP-100S-385A-C2	18.000	6.567	2.783	3.118	7.469	3.512	4.490
GHDP-100S-435A-C2	18.000	9.690	4.796	6.532	7.463	3.508	4.483
GHDP-100S-485A-C2	18.000	13.176	6.991	10.342	7.438	3.492	4.456
GHDP-100S-535A-C2	18.000	16.557	8.577	12.771	7.438	3.492	4.456
GHDP-100S-585A-C2	18.000						
GHDP-100S-535A-C3	18.000	15.777	7.932	11.360	9.139	4.386	5.400
GHDP-100S-585A-C3	18.000						
GHDP-100S-535A-C4	18.000	14.607	7.257	10.226	10.363	5.151	6.750
GHDP-100S-585A-C4	18.000						
GHDP-130S-435A-C1	32.000	12.191	6.280	8.971	9.495	4.712	6.439
GHDP-130S-485A-C1	32.000	16.774	9.153	13.981	9.462	4.691	6.403
GHDP-130S-535A-C1	32.000	21.896	12.350	19.580	9.466	4.694	6.407
GHDP-130S-585A-C1	32.000	27.533	15.861	25.740	9.483	4.705	6.426
GHDP-130S-635A-C1	32.000	33.685	19.691	32.466	9.515	4.725	6.460
GHDP-130S-385A-C2	32.000	7.126	1.827	1.774	11.745	5.639	7.396
GHDP-130S-435A-C2	32.000	11.232	5.109	6.262	11.737	5.634	7.387
GHDP-130S-485A-C2	32.000	15.815	8.028	11.272	11.704	5.612	7.351
GHDP-130S-535A-C2	32.000	20.937	11.246	16.871	11.708	5.615	7.356
GHDP-130S-585A-C2	32.000	26.574	14.768	23.032	11.725	5.626	7.374
GHDP-130S-635A-C2	32.000	32.726	18.605	29.757	11.757	5.646	7.409
GHDP-130S-685A-C2	32.000	39.330	22.718	36.975	11.738	5.634	7.388
GHDP-130S-485A-C5	32.000	14.265	7.235	10.149	12.633	6.374	8.884
GHDP-130S-535A-C5	32.000	19.387	10.452	15.748	12.638	6.377	8.889
GHDP-130S-585A-C5	32.000	25.023	13.973	21.908	12.655	6.388	8.908
GHDP-130S-635A-C5	32.000	31.176	17.808	28.634	12.686	6.408	8.942
GHDP-130S-685A-C5	32.000						
GHDP-130S-735A-C5	32.000						
GHDP-130S-535A-C6	32.000	17.463	8.233	10.558	16.933	8.173	10.792
GHDP-130S-585A-C6	32.000	23.099	11.809	16.719	16.950	8.184	10.810
GHDP-130S-635A-C6	32.000	29.252	15.673	23.444	16.982	8.204	10.845
GHDP-130S-685A-C6	32.000						
GHDP-130S-735A-C6	32.000						

Numéro de modèle	Couple max. Nm	8,5 BAR CANTED - Normally closed Torque Output (Nm)					
		BTO	RTO	ETO	BTC	RTC	ETC
GHDP-085C-280A-C2	9.000	7.041	2.287	2.909	2.026	1.224	2.378
GHDP-085C-335A-C2	9.000						
GHDP-085C-385A-C2	9.000						
GHDP-085C-435A-C2	9.000						
GHDP-085C-335A-C3	9.000						
GHDP-085C-385A-C3	9.000						
GHDP-085C-435A-C3	9.000						
GHDP-085C-335A-C5	9.000						
GHDP-085C-385A-C5	9.000						
GHDP-085C-435A-C5	9.000						
GHDP-085C-385A-C6	9.000						
GHDP-085C-435A-C6	9.000						
GHDP-100C-385A-C1	18.000						
GHDP-100C-435A-C1	18.000						
GHDP-100C-485A-C1	18.000						
GHDP-100C-385A-C2	18.000						
GHDP-100C-435A-C2	18.000						
GHDP-100C-485A-C2	18.000						
GHDP-100C-535A-C2	18.000						
GHDP-100C-585A-C2	18.000						
GHDP-100C-535A-C3	18.000						
GHDP-100C-585A-C3	18.000						
GHDP-100C-535A-C4	18.000						
GHDP-100C-585A-C4	18.000						
GHDP-130C-435A-C1	32.000	25.531	8.280	10.521	8.148	5.024	10.216
GHDP-130C-485A-C1	32.000	34.281	11.712	15.367	8.120	5.004	10.159
GHDP-130C-535A-C1	32.000						
GHDP-130C-585A-C1	32.000						
GHDP-130C-635A-C1	32.000						
GHDP-130C-385A-C2	32.000	16.195	3.815	3.968	10.099	6.085	11.735
GHDP-130C-435A-C2	32.000	24.026	6.997	8.306	10.092	6.080	11.721
GHDP-130C-485A-C2	32.000	32.775	10.456	13.152	10.064	6.059	11.664
GHDP-130C-535A-C2	32.000						
GHDP-130C-585A-C2	32.000						
GHDP-130C-635A-C2	32.000						
GHDP-130C-485A-C5	32.000	30.340	9.730	12.279	10.830	6.758	14.097
GHDP-130C-535A-C5	32.000						
GHDP-130C-585A-C5	32.000						
GHDP-130C-635A-C5	32.000						
GHDP-130C-685A-C5	32.000						
GHDP-130C-735A-C5	32.000						
GHDP-130C-535A-C6	32.000						
GHDP-130C-585A-C6	32.000						
GHDP-130C-635A-C6	32.000						
GHDP-130C-685A-C6	32.000						
GHDP-130C-735A-C6	32.000						

Numéro de modèle	Couple max. Nm	8,5 BAR SYMMETRICAL - Normally closed Torque Output (Nm)					
		BTO	RTO	ETO	BTC	RTC	ETC
GHDP-085S-280A-C2	9.000	4.484	2.438	3.709	2.357	1.136	1.498
GHDP-085S-335A-C2	9.000	7.096	4.067	6.565	2.336	1.123	1.475
GHDP-085S-385A-C2	9.000	9.891	5.807	9.619	2.326	1.116	1.464
GHDP-085S-435A-C2	9.000						
GHDP-085S-335A-C3	9.000	6.206	3.270	4.799	3.797	1.811	2.356
GHDP-085S-385A-C3	9.000	9.000	5.018	7.854	3.788	1.805	2.345
GHDP-085S-435A-C3	9.000						
GHDP-085S-335A-C5	9.000	5.849	3.046	4.410	4.120	2.016	2.708
GHDP-085S-385A-C5	9.000	8.643	4.795	7.464	4.110	2.010	2.698

GHDP-085S-435A-C5	9.000						
GHDP-085S-385A-C6	9.000	8.092	4.297	6.363	5.021	2.438	3.243
GHDP-085S-435A-C6	9.000						
GHDP-100S-385A-C1	18.000	10.237	5.142	7.129	6.342	2.783	3.259
GHDP-100S-435A-C1	18.000						
GHDP-100S-485A-C1	18.000						
GHDP-100S-535A-C1	18.000						
GHDP-100S-585A-C1	18.000						
GHDP-100S-385A-C2	18.000	8.992	4.353	5.768	7.469	3.512	4.490
GHDP-100S-435A-C2	18.000	12.785	6.746	9.915	7.463	3.508	4.483
GHDP-100S-485A-C2	18.000	16.514	8.553	12.730	7.463	3.508	4.483
GHDP-100S-535A-C2	18.000						
GHDP-100S-585A-C2	18.000						
GHDP-100S-535A-C3	18.000						
GHDP-100S-585A-C3	18.000						
GHDP-100S-535A-C4	18.000						
GHDP-100S-585A-C4	18.000						
GHDP-130S-435A-C1	32.000	16.260	8.831	13.419	9.495	4.712	6.439
GHDP-130S-485A-C1	32.000	21.832	12.310	19.509	9.462	4.691	6.403
GHDP-130S-535A-C1	32.000	28.051	16.184	26.307	9.466	4.694	6.407
GHDP-130S-585A-C1	32.000	34.891	20.441	33.784	9.483	4.705	6.426
GHDP-130S-635A-C1	32.000						
GHDP-130S-385A-C2	32.000	10.313	4.510	5.258	11.745	5.639	7.396
GHDP-130S-435A-C2	32.000	15.301	7.704	10.710	11.737	5.634	7.387
GHDP-130S-485A-C2	32.000	20.873	11.206	16.801	11.704	5.612	7.351
GHDP-130S-535A-C2	32.000	27.092	15.092	23.598	11.708	5.615	7.356
GHDP-130S-585A-C2	32.000	33.932	19.356	31.075	11.725	5.626	7.374
GHDP-130S-635A-C2	32.000						
GHDP-130S-685A-C2	32.000	49.420	28.997	48.004	11.738	5.634	7.388
GHDP-130S-485A-C5	32.000	19.323	10.412	15.677	12.633	6.374	8.884
GHDP-130S-535A-C5	32.000	25.541	14.296	22.475	12.638	6.377	8.889
GHDP-130S-585A-C5	32.000	32.382	18.559	29.952	12.655	6.388	8.908
GHDP-130S-635A-C5	32.000						
GHDP-130S-685A-C5	32.000						
GHDP-130S-735A-C5	32.000						
GHDP-130S-535A-C6	32.000	23.618	12.136	17.286	16.933	8.173	10.792
GHDP-130S-585A-C6	32.000	30.458	16.429	24.763	16.950	8.184	10.810
GHDP-130S-635A-C6	32.000						
GHDP-130S-685A-C6	32.000						
GHDP-130S-735A-C6	32.000						

Simple effet normalement ouvert - Tableau couples (moments de torsion)



CANTED SYMMETRICAL

Numéro de modèle	Couple max. Nm	3 BAR CANTED - Normally open Torque Output (Nm)					
		BTO	RTO	ETO	BTC	RTC	ETC
GHDP-085C-280A-O2	9.000						
GHDP-085C-335A-O2	9.000	3.852	1.021	1.137	1.255	530	509
GHDP-085C-385A-O2	9.000	3.836	1.015	1.129	2.107	1.207	2.158
GHDP-085C-435A-O2	9.000	3.828	1.012	1.125	3.083	1.903	4.046
GHDP-085C-385A-O3	9.000						
GHDP-085C-435A-O3	9.000	6.243	1.633	1.805	2.307	1.125	1.271
GHDP-085C-335A-O5	9.000						
GHDP-085C-385A-O5	9.000						
GHDP-085C-435A-O5	9.000	6.765	1.839	2.078	1.997	715	672
GHDP-085C-385A-O6	9.000						
GHDP-085C-435A-O6	9.000						
GHDP-085C-485A-O6	9.000	8.236	2.211	2.481	2.599	1.078	1.034
GHDP-100C-385A-O1	18.000						
GHDP-100C-435A-O1	18.000						
GHDP-100C-485A-O1	18.000						
GHDP-100C-385A-O2	18.000						
GHDP-100C-435A-O2	18.000						
GHDP-100C-485A-O2	18.000						
GHDP-100C-535A-O2	18.000	12.289	3.150	3.441	3.993	1.288	1.191
GHDP-100C-585A-O2	18.000	12.310	3.158	3.452	5.597	2.960	4.294
GHDP-100C-535A-O3	18.000						
GHDP-100C-585A-O3	18.000						
GHDP-100C-535A-O4	18.000						
GHDP-100C-585A-O4	18.000						
GHDP-130C-435A-O1	32.000						
GHDP-130C-485A-O1	32.000						
GHDP-130C-535A-O1	32.000	15.588	4.325	4.946	4.769	2.240	2.220
GHDP-130C-585A-O1	32.000	15.615	4.336	4.960	6.879	3.817	6.301
GHDP-130C-635A-O1	32.000	15.667	4.356	4.987	9.188	5.480	10.767
GHDP-130C-385A-O2	32.000						
GHDP-130C-435A-O2	32.000						
GHDP-130C-485A-O2	32.000						
GHDP-130C-535A-O2	32.000						
GHDP-130C-585A-O2	32.000	19.343	5.117	5.690	6.047	2.150	2.019
GHDP-130C-635A-O2	32.000	19.394	5.137	5.717	8.356	4.433	6.485
GHDP-130C-685A-O2	32.000	19.363	5.125	5.701	10.808	6.218	11.229
GHDP-130C-485A-O5	32.000						
GHDP-130C-535A-O5	32.000						
GHDP-130C-585A-O5	32.000						
GHDP-130C-635A-O5	32.000	20.865	5.944	6.901	7.006	3.599	4.795
GHDP-130C-685A-O5	32.000	20.835	5.932	6.885	9.459	5.394	9.538
GHDP-130C-735A-O5	32.000	20.802	5.919	6.868	12.097	7.285	14.641
GHDP-130C-535A-O6	32.000						
GHDP-130C-585A-O6	32.000						
GHDP-130C-635A-O6	32.000						
GHDP-130C-685A-O6	32.000						
GHDP-130C-735A-O6	32.000	27.940	7.457	8.335	10.425	5.223	6.442

Numéro de modèle	Couple max. Nm	3 BAR SYMMETRICAL - Normally open Torque Output (Nm)					
		BTO	RTO	ETO	BTC	RTC	ETC
GHDP-085S-280A-O2	9.000						
GHDP-085S-335A-O2	9.000	2.335	1.122	1.474	1.442	394	384
GHDP-085S-385A-O2	9.000	2.325	1.116	1.463	2.422	1.139	1.456
GHDP-085S-435A-O2	9.000	2.320	1.113	1.458	3.544	1.849	2.682
GHDP-085S-335A-O3	9.000						
GHDP-085S-385A-O3	9.000						
GHDP-085S-435A-O3	9.000	3.782	1.801	2.339	2.653	924	916
GHDP-085S-335A-O5	9.000						
GHDP-085S-385A-O5	9.000						
GHDP-085S-435A-O5	9.000	4.104	2.007	2.692	2.296	545	526
GHDP-085S-385A-O6	9.000						
GHDP-085S-435A-O6	9.000						
GHDP-100S-385A-O1	18.000						
GHDP-100S-435A-O1	18.000						
GHDP-100S-485A-O1	18.000						
GHDP-100S-535A-O1	18.000	6.315	2.764	3.228	5.834	2.281	2.317
GHDP-100S-585A-O1	18.000	6.327	2.773	3.242	7.679	3.511	4.333
GHDP-100S-385A-O2	18.000						
GHDP-100S-435A-O2	18.000						
GHDP-100S-485A-O2	18.000						
GHDP-100S-535A-O2	18.000	7.441	3.495	4.460	4.589	998	956
GHDP-100S-585A-O2	18.000	7.454	3.503	4.474	6.434	2.694	2.972
GHDP-100S-535A-O3	18.000						
GHDP-100S-585A-O3	18.000						
GHDP-100S-535A-O4	18.000						
GHDP-100S-585A-O4	18.000						
GHDP-130S-435A-O1	32.000						
GHDP-130S-485A-O1	32.000						
GHDP-130S-535A-O1	32.000	9.466	4.694	6.408	5.484	1.668	1.640
GHDP-130S-585A-O1	32.000	9.483	4.705	6.426	7.909	3.554	4.291
GHDP-130S-635A-O1	32.000	9.515	4.725	6.461	10.564	5.253	7.193
GHDP-130S-385A-O2	32.000						
GHDP-130S-435A-O2	32.000						
GHDP-130S-485A-O2	32.000						
GHDP-130S-535A-O2	32.000						
GHDP-130S-585A-O2	32.000	11.725	5.626	7.374	6.950	1.640	1.582
GHDP-130S-635A-O2	32.000	11.757	5.646	7.409	9.605	4.040	4.484
GHDP-130S-685A-O2	32.000	11.738	5.634	7.388	12.425	5.876	7.566
GHDP-130S-485A-O5	32.000						
GHDP-130S-535A-O5	32.000						
GHDP-130S-585A-O5	32.000						
GHDP-130S-635A-O5	32.000	12.686	6.408	8.942	8.055	3.222	3.361
GHDP-130S-685A-O5	32.000	12.668	6.396	8.922	10.874	5.081	6.443
GHDP-130S-735A-O5	32.000	12.647	6.383	8.899	13.907	7.010	9.758
GHDP-130S-535A-O6	32.000						
GHDP-130S-585A-O6	32.000						
GHDP-130S-635A-O6	32.000						
GHDP-130S-685A-O6	32.000						
GHDP-130S-735A-O6	32.000	16.942	8.179	10.801	11.984	4.589	4.569

Numéro de modèle	Couple max. Nm	3,5 BAR CANTED - Normally open Torque Output (Nm)					
		BTO	RTO	ETO	BTC	RTC	ETC
GHDP-085C-280A-O2	9.000						
GHDP-085C-335A-O2	9.000	3.852	1.021	1.137	1.702	912	1.374
GHDP-085C-385A-O2	9.000	3.836	1.015	1.129	2.698	1.630	3.301
GHDP-085C-435A-O2	9.000	3.828	1.012	1.125	3.837	2.436	5.504
GHDP-085C-385A-O3	9.000	6.251	1.637	1.810	1.922	577	527
GHDP-085C-435A-O3	9.000	6.243	1.633	1.805	3.061	1.686	2.730
GHDP-085C-335A-O5	9.000						
GHDP-085C-385A-O5	9.000						
GHDP-085C-435A-O5	9.000	6.765	1.839	2.078	2.751	1.458	2.130
GHDP-085C-385A-O6	9.000						
GHDP-085C-435A-O6	9.000						
GHDP-085C-485A-O6	9.000	8.236	2.211	2.481	3.536	1.894	2.847
GHDP-100C-385A-O1	18.000						
GHDP-100C-435A-O1	18.000						
GHDP-100C-485A-O1	18.000	10.460	2.410	2.488	4.737	2.315	2.631
GHDP-100C-385A-O2	18.000						
GHDP-100C-435A-O2	18.000						
GHDP-100C-485A-O2	18.000						
GHDP-100C-535A-O2	18.000	12.289	3.150	3.441	5.350	2.777	3.816
GHDP-100C-585A-O2	18.000	12.310	3.158	3.452	7.220	4.142	7.433
GHDP-100C-535A-O3	18.000						
GHDP-100C-585A-O3	18.000						
GHDP-100C-535A-O4	18.000						
GHDP-100C-585A-O4	18.000						
GHDP-130C-435A-O1	32.000						
GHDP-130C-485A-O1	32.000	15.581	4.323	4.942	4.324	1.459	1.359
GHDP-130C-535A-O1	32.000	15.588	4.325	4.946	6.554	3.580	5.672
GHDP-130C-585A-O1	32.000	15.615	4.336	4.960	9.012	5.355	10.427
GHDP-130C-635A-O1	32.000	15.667	4.356	4.987	11.702	7.264	15.630
GHDP-130C-385A-O2	32.000						
GHDP-130C-435A-O2	32.000						
GHDP-130C-485A-O2	32.000						
GHDP-130C-535A-O2	32.000	19.315	5.106	5.676	5.721	1.553	1.390
GHDP-130C-585A-O2	32.000	19.343	5.117	5.690	8.180	4.303	6.146
GHDP-130C-635A-O2	32.000	19.394	5.137	5.717	10.869	6.262	11.348
GHDP-130C-685A-O2	32.000	19.363	5.125	5.701	13.733	8.311	16.887
GHDP-130C-485A-O5	32.000						
GHDP-130C-535A-O5	32.000						
GHDP-130C-585A-O5	32.000	20.814	5.924	6.875	6.831	3.467	4.455
GHDP-130C-635A-O5	32.000	20.865	5.944	6.901	9.520	5.439	9.657
GHDP-130C-685A-O5	32.000	20.835	5.932	6.885	12.384	7.489	15.197
GHDP-130C-735A-O5	32.000	20.802	5.919	6.868	15.464	9.672	21.156
GHDP-130C-535A-O6	32.000						
GHDP-130C-585A-O6	32.000						
GHDP-130C-635A-O6	32.000						
GHDP-130C-685A-O6	32.000	27.973	7.470	8.353	10.712	5.440	6.997
GHDP-130C-735A-O6	32.000	27.940	7.457	8.335	13.793	7.708	12.956

Numéro de modèle	Couple max. Nm	3,5 BAR SYMMETRICAL - Normally open Torque Output (Nm)					
		BTO	RTO	ETO	BTC	RTC	ETC
GHDP-085S-280A-O2	9.000						
GHDP-085S-335A-O2	9.000	2.335	1.122	1.474	1.956	836	946
GHDP-085S-385A-O2	9.000	2.325	1.116	1.463	3.101	1.570	2.198
GHDP-085S-435A-O2	9.000	2.320	1.113	1.458	4.411	2.392	3.629
GHDP-085S-335A-O3	9.000						
GHDP-085S-385A-O3	9.000						
GHDP-085S-435A-O3	9.000	3.782	1.801	2.339	3.519	1.565	1.863
GHDP-085S-335A-O5	9.000						
GHDP-085S-385A-O5	9.000						
GHDP-085S-435A-O5	9.000	4.104	2.007	2.692	3.163	1.329	1.474
GHDP-085S-385A-O6	9.000						
GHDP-085S-435A-O6	9.000						
GHDP-100S-385A-O1	18.000						
GHDP-100S-435A-O1	18.000						
GHDP-100S-485A-O1	18.000	6.311	2.762	3.225	5.445	1.908	1.891
GHDP-100S-535A-O1	18.000	6.315	2.764	3.228	7.394	3.327	4.022
GHDP-100S-585A-O1	18.000	6.327	2.773	3.242	9.544	4.704	6.372
GHDP-100S-385A-O2	18.000						
GHDP-100S-435A-O2	18.000						
GHDP-100S-485A-O2	18.000						
GHDP-100S-535A-O2	18.000	7.441	3.495	4.460	6.149	2.501	2.661
GHDP-100S-585A-O2	18.000	7.454	3.503	4.474	8.299	3.911	5.011
GHDP-100S-535A-O3	18.000	8.736	4.386	5.400	5.378	2.031	1.492
GHDP-100S-585A-O3	18.000	8.736	4.386	5.400	7.317	3.186	3.494
GHDP-100S-535A-O4	18.000						
GHDP-100S-585A-O4	18.000	9.906	5.151	6.750	6.183	2.511	2.324
GHDP-130S-435A-O1	32.000						
GHDP-130S-485A-O1	32.000	9.462	4.692	6.403	4.972	1.124	1.080
GHDP-130S-535A-O1	32.000	9.466	4.694	6.408	7.535	3.310	3.882
GHDP-130S-585A-O1	32.000	9.483	4.705	6.426	10.362	5.125	6.972
GHDP-130S-635A-O1	32.000	9.515	4.725	6.461	13.454	7.074	10.352
GHDP-130S-385A-O2	32.000						
GHDP-130S-435A-O2	32.000						
GHDP-130S-485A-O2	32.000						
GHDP-130S-535A-O2	32.000						
GHDP-130S-585A-O2	32.000	11.725	5.626	7.374	9.403	3.905	4.263
GHDP-130S-635A-O2	32.000	11.757	5.646	7.409	12.495	5.922	7.643
GHDP-130S-685A-O2	32.000	11.738	5.634	7.388	15.788	8.011	11.242
GHDP-130S-485A-O5	32.000						
GHDP-130S-535A-O5	32.000						
GHDP-130S-585A-O5	32.000	12.655	6.388	8.908	7.853	3.081	3.140
GHDP-130S-635A-O5	32.000	12.686	6.408	8.942	10.945	5.126	6.520
GHDP-130S-685A-O5	32.000	12.668	6.396	8.922	14.237	7.218	10.119
GHDP-130S-735A-O5	32.000	12.647	6.383	8.899	17.779	9.445	13.990
GHDP-130S-535A-O6	32.000						
GHDP-130S-585A-O6	32.000						
GHDP-130S-635A-O6	32.000						
GHDP-130S-685A-O6	32.000	16.962	8.192	10.823	12.314	4.834	4.930
GHDP-130S-735A-O6	32.000	16.942	8.179	10.801	15.856	7.198	8.802

Numéro de modèle	Couple max. Nm	4 BAR CANTED - Normally open Torque Output (Nm)					
		BTO	RTO	ETO	BTC	RTC	ETC
GHDP-085C-280A-O2	9.000						
GHDP-085C-335A-O2	9.000	3.852	1.021	1.137	2.149	1.237	2.239
GHDP-085C-385A-O2	9.000	3.836	1.015	1.129	3.288	2.048	4.443
GHDP-085C-435A-O2	9.000	3.828	1.012	1.125	4.591	2.968	6.962
GHDP-085C-385A-O3	9.000	6.251	1.637	1.810	2.513	1.281	1.669
GHDP-085C-435A-O3	9.000	6.243	1.633	1.805	3.815	2.231	4.188
GHDP-085C-335A-O5	9.000						
GHDP-085C-385A-O5	9.000	6.773	1.842	2.082	2.202	1.044	1.069
GHDP-085C-435A-O5	9.000	6.765	1.839	2.078	3.505	2.008	3.589
GHDP-085C-385A-O6	9.000						
GHDP-085C-435A-O6	9.000	8.270	2.225	2.498	3.025	1.514	1.859
GHDP-085C-485A-O6	9.000	8.236	2.211	2.481	4.473	2.575	4.660
GHDP-100C-385A-O1	18.000						
GHDP-100C-435A-O1	18.000	10.501	2.427	2.509	4.129	1.539	1.455
GHDP-100C-485A-O1	18.000	10.460	2.410	2.488	5.853	3.148	4.788
GHDP-100C-385A-O2	18.000						
GHDP-100C-435A-O2	18.000						
GHDP-100C-485A-O2	18.000	12.284	3.148	3.438	4.770	2.340	2.693
GHDP-100C-535A-O2	18.000	12.289	3.150	3.441	6.707	3.772	6.441
GHDP-100C-585A-O2	18.000	12.310	3.158	3.452	8.843	5.306	10.572
GHDP-100C-535A-O3	18.000						
GHDP-100C-585A-O3	18.000						
GHDP-100C-535A-O4	18.000						
GHDP-100C-585A-O4	18.000	16.317	4.928	5.286	7.154	3.859	6.317
GHDP-130C-435A-O1	32.000						
GHDP-130C-485A-O1	32.000	15.581	4.323	4.942	5.791	3.018	4.196
GHDP-130C-535A-O1	32.000	15.588	4.325	4.946	8.338	4.871	9.123
GHDP-130C-585A-O1	32.000	15.615	4.336	4.960	11.146	6.870	14.554
GHDP-130C-635A-O1	32.000	15.667	4.356	4.987	14.216	9.041	20.492
GHDP-130C-385A-O2	32.000						
GHDP-130C-435A-O2	32.000						
GHDP-130C-485A-O2	32.000						
GHDP-130C-535A-O2	32.000	19.315	5.106	5.676	7.506	3.800	4.842
GHDP-130C-585A-O2	32.000	19.343	5.117	5.690	10.314	5.861	10.273
GHDP-130C-635A-O2	32.000	19.394	5.137	5.717	13.383	8.062	16.210
GHDP-130C-685A-O2	32.000	19.363	5.125	5.701	16.659	10.384	22.546
GHDP-130C-485A-O5	32.000						
GHDP-130C-535A-O5	32.000	20.787	5.913	6.860	6.156	2.953	3.151
GHDP-130C-585A-O5	32.000	20.814	5.924	6.875	8.964	5.036	8.582
GHDP-130C-635A-O5	32.000	20.865	5.944	6.901	12.034	7.240	14.520
GHDP-130C-685A-O5	32.000	20.835	5.932	6.885	15.309	9.562	20.855
GHDP-130C-735A-O5	32.000	20.802	5.919	6.868	18.832	12.051	27.671
GHDP-130C-535A-O6	32.000						
GHDP-130C-585A-O6	32.000						
GHDP-130C-635A-O6	32.000	28.003	7.482	8.369	10.362	5.176	6.320
GHDP-130C-685A-O6	32.000	27.973	7.470	8.353	13.637	7.595	12.656
GHDP-130C-735A-O6	32.000	27.940	7.457	8.335	17.161	10.135	19.471

Numéro de modèle	Couple max. Nm	4 BAR SYMMETRICAL - Normally open Torque Output (Nm)					
		BTO	RTO	ETO	BTC	RTC	ETC
GHDP-085S-280A-O2	9.000						
GHDP-085S-335A-O2	9.000	2.335	1.122	1.474	2.470	1.170	1.508
GHDP-085S-385A-O2	9.000	2.325	1.116	1.463	3.780	1.997	2.940
GHDP-085S-435A-O2	9.000	2.320	1.113	1.458	5.278	2.934	4.577
GHDP-085S-335A-O3	9.000						
GHDP-085S-385A-O3	9.000	3.787	1.804	2.345	2.889	1.142	1.174
GHDP-085S-435A-O3	9.000	3.782	1.801	2.339	4.386	2.122	2.811
GHDP-085S-335A-O5	9.000						
GHDP-085S-385A-O5	9.000	4.110	2.010	2.697	2.532	796	784
GHDP-085S-435A-O5	9.000	4.104	2.007	2.692	4.030	1.895	2.421
GHDP-085S-385A-O6	9.000						
GHDP-085S-435A-O6	9.000	5.015	2.434	3.237	3.479	1.327	1.321
GHDP-100S-385A-O1	18.000						
GHDP-100S-435A-O1	18.000	6.336	2.779	3.252	4.746	1.165	1.127
GHDP-100S-485A-O1	18.000	6.311	2.762	3.225	6.727	2.889	3.293
GHDP-100S-535A-O1	18.000	6.315	2.764	3.228	8.955	4.329	5.728
GHDP-100S-585A-O1	18.000	6.327	2.773	3.242	11.410	5.882	8.411
GHDP-100S-385A-O2	18.000						
GHDP-100S-435A-O2	18.000						
GHDP-100S-485A-O2	18.000	7.438	3.492	4.456	5.482	1.948	1.932
GHDP-100S-535A-O2	18.000	7.441	3.495	4.460	7.710	3.531	4.367
GHDP-100S-585A-O2	18.000	7.454	3.503	4.474	10.165	5.097	7.050
GHDP-100S-535A-O3	18.000	8.736	4.386	5.400	6.794	2.874	2.954
GHDP-100S-585A-O3	18.000	8.736	4.386	5.400	9.011	4.193	5.241
GHDP-100S-535A-O4	18.000	9.906	5.151	6.750	5.660	2.199	1.784
GHDP-100S-585A-O4	18.000	9.906	5.151	6.750	7.877	3.518	4.071
GHDP-130S-435A-O1	32.000						
GHDP-130S-485A-O1	32.000	9.462	4.692	6.403	6.658	2.725	2.923
GHDP-130S-535A-O1	32.000	9.466	4.694	6.408	9.587	4.632	6.125
GHDP-130S-585A-O1	32.000	9.483	4.705	6.426	12.815	6.672	9.653
GHDP-130S-635A-O1	32.000	9.515	4.725	6.461	16.344	8.884	13.511
GHDP-130S-385A-O2	32.000						
GHDP-130S-435A-O2	32.000						
GHDP-130S-485A-O2	32.000						
GHDP-130S-535A-O2	32.000	11.708	5.615	7.356	8.628	3.370	3.416
GHDP-130S-585A-O2	32.000	11.725	5.626	7.374	11.856	5.512	6.945
GHDP-130S-635A-O2	32.000	11.757	5.646	7.409	15.386	7.758	10.802
GHDP-130S-685A-O2	32.000	11.738	5.634	7.388	19.151	10.127	14.918
GHDP-130S-485A-O5	32.000						
GHDP-130S-535A-O5	32.000	12.638	6.377	8.889	7.077	2.322	2.293
GHDP-130S-585A-O5	32.000	12.655	6.388	8.908	10.305	4.714	5.821
GHDP-130S-635A-O5	32.000	12.686	6.408	8.942	13.835	6.964	9.679
GHDP-130S-685A-O5	32.000	12.668	6.396	8.922	17.600	9.333	13.795
GHDP-130S-735A-O5	32.000	12.647	6.383	8.899	21.651	11.868	18.223
GHDP-130S-535A-O6	32.000						
GHDP-130S-585A-O6	32.000						
GHDP-130S-635A-O6	32.000	16.981	8.204	10.844	11.912	4.512	4.490
GHDP-130S-685A-O6	32.000	16.962	8.192	10.823	15.677	7.082	8.606
GHDP-130S-735A-O6	32.000	16.942	8.179	10.801	19.728	9.678	13.034

Numéro de modèle	Couple max. Nm	4,5 BAR CANTED - Normally open Torque Output (Nm)					
		BTO	RTO	ETO	BTC	RTC	ETC
GHDP-085C-280A-O2	9.000						
GHDP-085C-335A-O2	9.000	3.887	1.035	1.155	2.479	1.513	2890
GHDP-085C-385A-O2	9.000	3.852	1.021	1.137	3.619	2.324	4904
GHDP-085C-435A-O2	9.000	3.836	1.015	1.129	4.917	3.248	7197
GHDP-085C-385A-O3	9.000	3.828	1.012	1.125	3.036	1.717	2716
GHDP-085C-435A-O3	9.000	6.251	1.637	1.810	4.335	2.640	5010
GHDP-085C-335A-O5	9.000						
GHDP-085C-385A-O5	9.000	6.789	1.848	2.090	2.812	1.558	2321
GHDP-085C-435A-O5	9.000	6.773	1.842	2.082	4.111	2.481	4614
GHDP-085C-385A-O6	9.000						
GHDP-085C-435A-O6	9.000	8.278	2.228	2.503	3.656	1.984	2803
GHDP-085C-485A-O6	9.000	8.270	2.225	2.498	5.113	3.020	5376
GHDP-100C-385A-O1	18.000						
GHDP-100C-435A-O1	18.000	10.511	2.431	2.514	5.136	2.646	3572
GHDP-100C-485A-O1	18.000	10.501	2.427	2.509	6.997	3.930	6852
GHDP-100C-385A-O2	18.000						
GHDP-100C-435A-O2	18.000						
GHDP-100C-485A-O2	18.000	12.324	3.164	3.459	6.081	3.298	5238
GHDP-100C-535A-O2	18.000	12.324	3.164	3.459	8.144	4.722	8874
GHDP-100C-585A-O2	18.000	12.324	3.164	3.459	10.409	6.285	12866
GHDP-100C-535A-O3	18.000	14.390	4.172	4.228	7.457	4.068	6850
GHDP-100C-585A-O3	18.000	14.390	4.172	4.228	9.722	5.632	10843
GHDP-100C-535A-O4	18.000	16.317	4.928	5.286	6.427	3.357	5.035
GHDP-100C-585A-O4	18.000	16.317	4.928	5.286	8.692	4.921	9.027
GHDP-130C-435A-O1	32.000						
GHDP-130C-485A-O1	32.000						
GHDP-130C-535A-O1	32.000						
GHDP-130C-585A-O1	32.000						
GHDP-130C-635A-O1	32.000						
GHDP-130C-385A-O2	32.000						
GHDP-130C-435A-O2	32.000						
GHDP-130C-485A-O2	32.000						
GHDP-130C-535A-O2	32.000						
GHDP-130C-585A-O2	32.000						
GHDP-130C-635A-O2	32.000						
GHDP-130C-685A-O2	32.000						
GHDP-130C-485A-O5	32.000						
GHDP-130C-535A-O5	32.000						
GHDP-130C-585A-O5	32.000						
GHDP-130C-635A-O5	32.000						
GHDP-130C-685A-O5	32.000						
GHDP-130C-735A-O5	32.000						
GHDP-130C-535A-O6	32.000						
GHDP-130C-585A-O6	32.000						
GHDP-130C-635A-O6	32.000						
GHDP-130C-685A-O6	32.000						
GHDP-130C-735A-O6	32.000						

Numéro de modèle	Couple max. Nm	4,5 BAR SYMMETRICAL - Normally open Torque Output (Nm)					
		BTO	RTO	ETO	BTC	RTC	ETC
GHDP-085S-280A-O2	9.000	2.356	1.136	1.497	1.682	715	741
GHDP-085S-335A-O2	9.000	2.335	1.122	1.474	2.963	1.477	2062
GHDP-085S-385A-O2	9.000	2.325	1.116	1.463	4.326	2.288	3468
GHDP-085S-435A-O2	9.000	2.320	1.113	1.458	5.877	3.212	5070
GHDP-085S-335A-O3	9.000	3.797	1.810	2.355	2.267	839	571
GHDP-085S-385A-O3	9.000	3.787	1.804	2.345	3.629	1.650	1977
GHDP-085S-435A-O3	9.000	3.782	1.801	2.339	5.181	2.574	3578
GHDP-085S-335A-O5	9.000	4.119	2.016	2.708	1.999	680	294
GHDP-085S-385A-O5	9.000	4.110	2.010	2.697	3.362	1.491	1700
GHDP-085S-435A-O5	9.000	4.104	2.007	2.692	4.914	2.415	3302
GHDP-085S-385A-O6	9.000	5.021	2.438	3.243	2.819	973	466
GHDP-085S-435A-O6	9.000	5.015	2.434	3.237	4.371	1.897	2067
GHDP-100S-385A-O1	18.000	6.342	2.783	3.259	3.829	1.304	570
GHDP-100S-435A-O1	18.000	6.336	2.779	3.252	5.655	2.391	2454
GHDP-100S-485A-O1	18.000	6.311	2.762	3.225	7.703	3.610	4568
GHDP-100S-535A-O1	18.000	6.315	2.764	3.228	9.974	4.962	6911
GHDP-100S-585A-O1	18.000	6.315	2.764	3.228	12.468	6.446	9484
GHDP-100S-385A-O2	18.000						
GHDP-100S-435A-O2	18.000	7.463	3.508	4.483	4.647	1.791	1414
GHDP-100S-485A-O2	18.000	7.438	3.492	4.456	6.695	3.010	3528
GHDP-100S-535A-O2	18.000	7.441	3.495	4.460	8.966	4.362	5871
GHDP-100S-585A-O2	18.000	7.454	3.503	4.474	11.460	5.846	8444
GHDP-100S-535A-O3	18.000	8.736	4.386	5.400	8.210	3.717	4415
GHDP-100S-585A-O3	18.000	8.736	4.386	5.400	10.704	5.201	6988
GHDP-100S-535A-O4	18.000	9.906	5.151	6.750	7.076	3.042	3.245
GHDP-100S-585A-O4	18.000	9.906	5.151	6.750	9.570	4.526	5.818
GHDP-130S-435A-O1	32.000						
GHDP-130S-485A-O1	32.000						
GHDP-130S-535A-O1	32.000						
GHDP-130S-585A-O1	32.000						
GHDP-130S-635A-O1	32.000						
GHDP-130S-385A-O2	32.000						
GHDP-130S-435A-O2	32.000						
GHDP-130S-485A-O2	32.000						
GHDP-130S-535A-O2	32.000						
GHDP-130S-585A-O2	32.000						
GHDP-130S-635A-O2	32.000						
GHDP-130S-685A-O2	32.000						
GHDP-130S-485A-O5	32.000						
GHDP-130S-535A-O5	32.000						
GHDP-130S-585A-O5	32.000						
GHDP-130S-635A-O5	32.000						
GHDP-130S-685A-O5	32.000						
GHDP-130S-735A-O5	32.000						
GHDP-130S-535A-O6	32.000						
GHDP-130S-585A-O6	32.000						
GHDP-130S-635A-O6	32.000						
GHDP-130S-685A-O6	32.000						
GHDP-130S-735A-O6	32.000						

Numéro de modèle	Couple max. Nm	5 BAR CANTED - Normally open Torque Output (Nm)					
		BTO	RTO	ETO	BTC	RTC	ETC
GHDP-085C-280A-O2	9.000	3.887	1.035	1.155	1.714	921	1.399
GHDP-085C-335A-O2	9.000	3.852	1.021	1.137	3.043	1.875	3.969
GHDP-085C-385A-O2	9.000	3.836	1.015	1.129	4.469	2.883	6.728
GHDP-085C-435A-O2	9.000						
GHDP-085C-385A-O3	9.000	6.251	1.637	1.810	3.694	2.144	3.954
GHDP-085C-435A-O3	9.000	6.243	1.633	1.805	5.323	3.304	7.105
GHDP-085C-335A-O5	9.000						
GHDP-085C-385A-O5	9.000	6.773	1.842	2.082	3.384	1.920	3.354
GHDP-085C-435A-O5	9.000	6.765	1.839	2.078	5.013	3.084	6.505
GHDP-085C-385A-O6	9.000						
GHDP-085C-435A-O6	9.000	8.270	2.225	2.498	4.533	2.618	4.776
GHDP-085C-485A-O6	9.000	8.236	2.211	2.481	6.348	3.912	8.286
GHDP-100C-385A-O1	18.000						
GHDP-100C-435A-O1	18.000	10.501	2.427	2.509	5.924	3.201	4.926
GHDP-100C-485A-O1	18.000	10.460	2.410	2.488	8.083	4.763	9.103
GHDP-100C-385A-O2	18.000						
GHDP-100C-435A-O2	18.000						
GHDP-100C-485A-O2	18.000	12.284	3.148	3.438	7.000	3.984	7.008
GHDP-100C-535A-O2	18.000	12.289	3.150	3.441	9.422	5.717	11.692
GHDP-100C-585A-O2	18.000	12.310	3.158	3.452	11.947	7.347	15.577
GHDP-100C-535A-O3	18.000	14.390	4.172	4.228	8.744	4.956	9.118
GHDP-100C-585A-O3	18.000	14.390	4.172	4.228	11.260	6.693	13.554
GHDP-100C-535A-O4	18.000	16.317	4.928	5.286	7.714	4.245	7.302
GHDP-100C-585A-O4	18.000	16.317	4.928	5.286	10.230	5.982	11.738
GHDP-130C-435A-O1	32.000	15.634	4.343	4.970	5.884	3.088	4.377
GHDP-130C-485A-O1	32.000	15.581	4.323	4.942	8.724	5.148	9.869
GHDP-130C-535A-O1	32.000	15.588	4.325	4.946	11.907	7.409	16.027
GHDP-130C-585A-O1	32.000	15.615	4.336	4.960	15.413	9.885	22.808
GHDP-130C-635A-O1	32.000	15.667	4.356	4.987	19.243	12.585	30.217
GHDP-130C-385A-O2	32.000						
GHDP-130C-435A-O2	32.000						
GHDP-130C-485A-O2	32.000	19.308	5.103	5.672	7.891	4.089	5.587
GHDP-130C-535A-O2	32.000	19.315	5.106	5.676	11.075	6.410	11.745
GHDP-130C-585A-O2	32.000	19.343	5.117	5.690	14.581	8.912	18.526
GHDP-130C-635A-O2	32.000	19.394	5.137	5.717	18.411	11.623	25.936
GHDP-130C-685A-O2	32.000	19.363	5.125	5.701	22.509	14.515	33.863
GHDP-130C-485A-O5	32.000	20.780	5.911	6.857	6.542	3.249	3.897
GHDP-130C-535A-O5	32.000	20.787	5.913	6.860	9.725	5.586	10.054
GHDP-130C-585A-O5	32.000	20.814	5.924	6.875	13.231	8.091	16.836
GHDP-130C-635A-O5	32.000	20.865	5.944	6.901	17.061	10.801	24.245
GHDP-130C-685A-O5	32.000	20.835	5.932	6.885	21.160	13.692	32.172
GHDP-130C-735A-O5	32.000						
GHDP-130C-535A-O6	32.000	27.925	7.451	8.328	8.053	2.091	1.854
GHDP-130C-585A-O6	32.000	27.952	7.462	8.342	11.559	6.072	8.636
GHDP-130C-635A-O6	32.000	28.003	7.482	8.369	15.390	8.862	16.045
GHDP-130C-685A-O6	32.000	27.973	7.470	8.353	19.488	11.794	23.972
GHDP-130C-735A-O6	32.000	27.940	7.457	8.335	23.896	14.919	32.500

Numéro de modèle	Couple max. Nm	5 BAR SYMMETRICAL - Normally open Torque Output (Nm)					
		BTO	RTO	ETO	BTC	RTC	ETC
GHDP-085S-280A-O2	9.000	2.356	1.136	1.497	1.971	845	962
GHDP-085S-335A-O2	9.000	2.335	1.122	1.474	3.499	1.820	2.632
GHDP-085S-385A-O2	9.000	2.325	1.116	1.463	5.138	2.847	4.425
GHDP-085S-435A-O2	9.000	2.320	1.113	1.458	7.011	4.014	6.472
GHDP-085S-335A-O3	9.000	3.797	1.810	2.355	2.607	876	866
GHDP-085S-385A-O3	9.000	3.787	1.804	2.345	4.247	2.033	2.659
GHDP-085S-435A-O3	9.000	3.782	1.801	2.339	6.120	3.217	4.706
GHDP-085S-335A-O5	9.000	4.119	2.016	2.708	2.251	497	477
GHDP-085S-385A-O5	9.000	4.110	2.010	2.697	3.890	1.805	2.269
GHDP-085S-435A-O5	9.000	4.104	2.007	2.692	5.764	2.993	4.316
GHDP-085S-385A-O6	9.000	5.021	2.438	3.243	3.339	1.178	1.168
GHDP-085S-435A-O6	9.000	5.015	2.434	3.237	5.212	2.479	3.216
GHDP-100S-385A-O1	18.000	6.342	2.783	3.259	4.580	988	946
GHDP-100S-435A-O1	18.000	6.336	2.779	3.252	6.809	2.944	3.382
GHDP-100S-485A-O1	18.000	6.311	2.762	3.225	9.292	4.544	6.096
GHDP-100S-535A-O1	18.000	6.315	2.764	3.228	12.076	6.301	9.139
GHDP-100S-585A-O1	18.000	6.315	2.764	3.228	14.161	7.454	11.231
GHDP-100S-385A-O2	18.000						
GHDP-100S-435A-O2	18.000	7.463	3.508	4.483	5.564	2.035	2.021
GHDP-100S-485A-O2	18.000	7.438	3.492	4.456	8.047	3.748	4.735
GHDP-100S-535A-O2	18.000	7.441	3.495	4.460	10.831	5.517	7.778
GHDP-100S-585A-O2	18.000	7.454	3.503	4.474	13.896	7.443	11.129
GHDP-100S-535A-O3	18.000	8.736	4.386	5.400	9.626	4.560	5.876
GHDP-100S-585A-O3	18.000	8.736	4.386	5.400	12.397	6.209	8.735
GHDP-100S-535A-O4	18.000	9.906	5.151	6.750	8.492	3.885	4.706
GHDP-100S-585A-O4	18.000	9.906	5.151	6.750	11.263	5.534	7.565
GHDP-130S-435A-O1	32.000	9.495	4.712	6.439	6.766	2.798	3.041
GHDP-130S-485A-O1	32.000	9.462	4.692	6.403	10.030	4.914	6.609
GHDP-130S-535A-O1	32.000	9.466	4.694	6.408	13.690	7.222	10.610
GHDP-130S-585A-O1	32.000	9.483	4.705	6.426	17.721	9.744	15.015
GHDP-130S-635A-O1	32.000	9.515	4.725	6.461	22.124	12.492	19.829
GHDP-130S-385A-O2	32.000						
GHDP-130S-435A-O2	32.000						
GHDP-130S-485A-O2	32.000	11.704	5.612	7.351	9.071	3.679	3.901
GHDP-130S-535A-O2	32.000	11.708	5.615	7.356	12.731	6.073	7.901
GHDP-130S-585A-O2	32.000	11.725	5.626	7.374	16.762	8.626	12.307
GHDP-130S-635A-O2	32.000	11.757	5.646	7.409	21.166	11.389	17.121
GHDP-130S-685A-O2	32.000	11.738	5.634	7.388	25.878	14.334	22.271
GHDP-130S-485A-O5	32.000	12.633	6.374	8.884	7.521	2.794	2.777
GHDP-130S-535A-O5	32.000	12.638	6.377	8.889	11.181	5.277	6.778
GHDP-130S-585A-O5	32.000	12.655	6.388	8.908	15.211	7.832	11.184
GHDP-130S-635A-O5	32.000	12.686	6.408	8.942	19.615	10.595	15.997
GHDP-130S-685A-O5	32.000	12.668	6.396	8.922	24.327	13.539	21.147
GHDP-130S-735A-O5	32.000	12.647	6.383	8.899	29.395	16.700	26.688
GHDP-130S-535A-O6	32.000						
GHDP-130S-585A-O6	32.000	16.950	8.184	10.810	13.288	5.506	5.995
GHDP-130S-635A-O6	32.000	16.981	8.204	10.844	17.692	8.380	10.809
GHDP-130S-685A-O6	32.000	16.962	8.192	10.823	22.404	11.370	15.959
GHDP-130S-735A-O6	32.000	16.942	8.179	10.801	27.472	14.557	21.499

Numéro de modèle	Couple max. Nm	5,5 BAR CANTED - Normally open Torque Output (Nm)					
		BTO	RTO	ETO	BTC	RTC	ETC
GHDP-085C-280A-O2	9.000	3.887	1.035	1.155	2.027	1.149	2.003
GHDP-085C-335A-O2	9.000	3.852	1.021	1.137	3.490	2.191	4.834
GHDP-085C-385A-O2	9.000	3.836	1.015	1.129	5.060	3.299	7.870
GHDP-085C-435A-O2	9.000						
GHDP-085C-385A-O3	9.000	6.251	1.637	1.810	4.284	2.567	5.096
GHDP-085C-435A-O3	9.000						
GHDP-085C-335A-O5	9.000	6.789	1.848	2.090	2.405	1.200	1.460
GHDP-085C-385A-O5	9.000	6.773	1.842	2.082	3.974	2.345	4.497
GHDP-085C-435A-O5	9.000	6.765	1.839	2.078	5.767	3.618	7.964
GHDP-085C-385A-O6	9.000	8.278	2.228	2.503	3.495	1.864	2.767
GHDP-085C-435A-O6	9.000	8.270	2.225	2.498	5.287	3.159	6.235
GHDP-085C-485A-O6	9.000						
GHDP-100C-385A-O1	18.000	10.511	2.431	2.514	4.688	2.277	2.536
GHDP-100C-435A-O1	18.000	10.501	2.427	2.509	6.821	3.854	6.662
GHDP-100C-485A-O1	18.000	10.460	2.410	2.488	9.199	5.559	11.261
GHDP-100C-385A-O2	18.000						
GHDP-100C-435A-O2	18.000	12.324	3.164	3.459	5.738	3.064	4.567
GHDP-100C-485A-O2	18.000	12.284	3.148	3.438	8.116	4.786	9.166
GHDP-100C-535A-O2	18.000	12.242	3.476	3.524	10.717	6.498	13.408
GHDP-100C-585A-O2	18.000						
GHDP-100C-535A-O3	18.000	14.390	4.172	4.228	10.030	5.844	11.385
GHDP-100C-585A-O3	18.000	14.390	4.172	4.228	12.798	7.755	16.265
GHDP-100C-535A-O4	18.000	16.317	4.928	5.286	9.000	5.133	9.570
GHDP-100C-585A-O4	18.000	16.317	4.928	5.286	11.768	7.044	14.449
GHDP-130C-435A-O1	32.000	15.634	4.343	4.970	7.064	3.951	6.659
GHDP-130C-485A-O1	32.000	15.581	4.323	4.942	10.190	6.192	12.706
GHDP-130C-535A-O1	32.000	15.588	4.325	4.946	13.691	8.671	19.478
GHDP-130C-585A-O1	32.000	15.615	4.336	4.960	17.546	11.390	26.935
GHDP-130C-635A-O1	32.000						
GHDP-130C-385A-O2	32.000						
GHDP-130C-435A-O2	32.000	19.361	5.124	5.700	6.232	2.491	2.377
GHDP-130C-485A-O2	32.000	19.308	5.103	5.672	9.358	5.167	8.424
GHDP-130C-535A-O2	32.000	19.315	5.106	5.676	12.859	7.689	15.196
GHDP-130C-585A-O2	32.000	19.343	5.117	5.690	16.714	10.423	22.653
GHDP-130C-635A-O2	32.000	19.394	5.137	5.717	20.925	13.397	30.798
GHDP-130C-685A-O2	32.000						
GHDP-130C-485A-O5	32.000	20.780	5.911	6.857	8.008	4.340	6.733
GHDP-130C-535A-O5	32.000	20.787	5.913	6.860	11.510	6.867	13.506
GHDP-130C-585A-O5	32.000	20.814	5.924	6.875	15.365	9.602	20.963
GHDP-130C-635A-O5	32.000	20.865	5.944	6.901	19.575	12.575	29.108
GHDP-130C-685A-O5	32.000						
GHDP-130C-735A-O5	32.000						
GHDP-130C-535A-O6	32.000	27.925	7.451	8.328	9.838	4.775	5.306
GHDP-130C-585A-O6	32.000	27.952	7.462	8.342	13.693	7.635	12.763
GHDP-130C-635A-O6	32.000	28.003	7.482	8.369	17.904	10.667	20.908
GHDP-130C-685A-O6	32.000	27.973	7.470	8.353	22.413	13.869	29.631
GHDP-130C-735A-O6	32.000						

Numéro de modèle	Couple max. Nm	5,5 BAR SYMMETRICAL - Normally open Torque Output (Nm)					
		BTO	RTO	ETO	BTC	RTC	ETC
GHDP-085S-280A-O2	9.000	2.356	1.136	1.497	2.330	1.079	1.355
GHDP-085S-335A-O2	9.000	2.335	1.122	1.474	4.013	2.143	3.194
GHDP-085S-385A-O2	9.000	2.325	1.116	1.463	5.817	3.270	5.167
GHDP-085S-435A-O2	9.000	2.320	1.113	1.458	7.878	4.554	7.420
GHDP-085S-335A-O3	9.000	3.797	1.810	2.355	3.121	1.301	1.428
GHDP-085S-385A-O3	9.000	3.787	1.804	2.345	4.926	2.465	3.401
GHDP-085S-435A-O3	9.000	3.782	1.801	2.339	6.987	3.760	5.654
GHDP-085S-335A-O5	9.000	4.119	2.016	2.708	2.765	1.044	1.038
GHDP-085S-385A-O5	9.000	4.110	2.010	2.697	4.569	2.239	3.011
GHDP-085S-435A-O5	9.000	4.104	2.007	2.692	6.630	3.537	5.264
GHDP-085S-385A-O6	9.000	5.021	2.438	3.243	4.018	1.704	1.911
GHDP-085S-435A-O6	9.000	5.015	2.434	3.237	6.079	3.031	4.163
GHDP-100S-385A-O1	18.000	6.342	2.783	3.259	5.388	1.848	1.829
GHDP-100S-435A-O1	18.000	6.336	2.779	3.252	7.841	3.616	4.510
GHDP-100S-485A-O1	18.000	6.311	2.762	3.225	10.574	5.355	7.498
GHDP-100S-535A-O1	18.000	6.315	2.764	3.228	13.636	7.280	10.844
GHDP-100S-585A-O1	18.000	6.315	2.764	3.228	15.855	8.462	12.978
GHDP-100S-385A-O2	18.000						
GHDP-100S-435A-O2	18.000	7.463	3.508	4.483	6.596	2.802	3.149
GHDP-100S-485A-O2	18.000	7.438	3.492	4.456	9.329	4.567	6.137
GHDP-100S-535A-O2	18.000	7.441	3.495	4.460	12.391	6.499	9.484
GHDP-100S-585A-O2	18.000	7.441	3.495	4.460	14.847	7.862	11.938
GHDP-100S-535A-O3	18.000	8.736	4.386	5.400	11.043	5.403	7.337
GHDP-100S-585A-O3	18.000	8.736	4.386	5.400	14.091	7.217	10.482
GHDP-100S-535A-O4	18.000	9.906	5.151	6.750	9.909	4.728	6.167
GHDP-100S-585A-O4	18.000	9.906	5.151	6.750	12.957	6.542	9.312
GHDP-130S-435A-O1	32.000	9.495	4.712	6.439	8.122	3.692	4.524
GHDP-130S-485A-O1	32.000	9.462	4.692	6.403	11.716	5.980	8.452
GHDP-130S-535A-O1	32.000	9.466	4.694	6.408	15.741	8.507	12.852
GHDP-130S-585A-O1	32.000	9.483	4.705	6.426	20.174	11.275	17.697
GHDP-130S-635A-O1	32.000	9.515	4.725	6.461	25.015	14.293	22.988
GHDP-130S-385A-O2	32.000						
GHDP-130S-435A-O2	32.000	11.737	5.633	7.387	7.163	1.867	1.815
GHDP-130S-485A-O2	32.000	11.704	5.612	7.351	10.757	4.800	5.743
GHDP-130S-535A-O2	32.000	11.708	5.615	7.356	14.783	7.376	10.144
GHDP-130S-585A-O2	32.000	11.725	5.626	7.374	19.215	10.167	14.988
GHDP-130S-635A-O2	32.000	11.757	5.646	7.409	24.056	13.196	20.280
GHDP-130S-685A-O2	32.000	11.738	5.634	7.388	29.241	16.432	25.947
GHDP-130S-485A-O5	32.000	12.633	6.374	8.884	9.207	3.998	4.620
GHDP-130S-535A-O5	32.000	12.638	6.377	8.889	13.232	6.583	9.020
GHDP-130S-585A-O5	32.000	12.655	6.388	8.908	17.664	9.373	13.865
GHDP-130S-635A-O5	32.000	12.686	6.408	8.942	22.505	12.402	19.156
GHDP-130S-685A-O5	32.000	12.668	6.396	8.922	27.690	15.637	24.824
GHDP-130S-735A-O5	32.000	12.647	6.383	8.899	33.268	19.111	30.920
GHDP-130S-535A-O6	32.000	16.933	8.173	10.791	11.309	3.871	3.832
GHDP-130S-585A-O6	32.000	16.950	8.184	10.810	15.741	7.124	8.676
GHDP-130S-635A-O6	32.000	16.981	8.204	10.844	20.582	10.219	13.968
GHDP-130S-685A-O6	32.000	16.962	8.192	10.823	25.767	13.487	19.635
GHDP-130S-735A-O6	32.000	16.942	8.179	10.801	31.344	16.983	25.732

Numéro de modèle	Couple max. Nm	6 BAR CANTED - Normally open Torque Output (Nm)					
		BTO	RTO	ETO	BTC	RTC	ETC
GHDP-085C-280A-O2	9.000	3.887	1.035	1.155	2.339	1.374	2.607
GHDP-085C-335A-O2	9.000	3.852	1.021	1.137	3.938	2.507	5.699
GHDP-085C-385A-O2	9.000						
GHDP-085C-435A-O2	9.000						
GHDP-085C-385A-O3	9.000	6.251	1.637	1.810	4.875	2.986	6.239
GHDP-085C-435A-O3	9.000						
GHDP-085C-335A-O5	9.000	6.789	1.848	2.090	2.852	1.533	2.325
GHDP-085C-385A-O5	9.000	6.773	1.842	2.082	4.565	2.766	5.639
GHDP-085C-435A-O5	9.000						
GHDP-085C-385A-O6	9.000	8.278	2.228	2.503	4.085	2.295	3.910
GHDP-085C-435A-O6	9.000	8.270	2.225	2.498	6.041	3.695	7.693
GHDP-085C-485A-O6	9.000						
GHDP-100C-385A-O1	18.000	10.511	2.431	2.514	5.391	2.807	3.895
GHDP-100C-435A-O1	18.000	10.501	2.427	2.509	7.718	4.501	8.397
GHDP-100C-485A-O1	18.000	10.460	2.410	2.488	10.314	6.350	13.418
GHDP-100C-385A-O2	18.000	12.334	3.168	3.464	4.308	1.867	1.800
GHDP-100C-435A-O2	18.000	12.324	3.164	3.459	6.636	3.720	6.303
GHDP-100C-485A-O2	18.000	12.284	3.148	3.438	9.231	5.582	11.323
GHDP-100C-535A-O2	18.000	12.242	3.476	3.524	12.003	7.386	15.676
GHDP-100C-585A-O2	18.000						
GHDP-100C-535A-O3	18.000	14.390	4.172	4.228	11.316	6.732	13.653
GHDP-100C-585A-O3	18.000						
GHDP-100C-535A-O4	18.000	16.317	4.928	5.286	10.286	6.021	11.837
GHDP-100C-585A-O4	18.000	16.317	4.928	5.286	13.306	8.106	17.160
GHDP-130C-435A-O1	32.000	15.634	4.343	4.970	8.244	4.803	8.941
GHDP-130C-485A-O1	32.000	15.581	4.323	4.942	11.656	7.232	15.542
GHDP-130C-535A-O1	32.000	15.588	4.325	4.946	15.476	9.930	22.930
GHDP-130C-585A-O1	32.000	15.615	4.336	4.960	19.680	12.892	31.062
GHDP-130C-635A-O1	32.000						
GHDP-130C-385A-O2	32.000						
GHDP-130C-435A-O2	32.000	19.361	5.124	5.700	7.412	3.729	4.659
GHDP-130C-485A-O2	32.000	19.308	5.103	5.672	10.824	6.229	11.260
GHDP-130C-535A-O2	32.000	19.315	5.106	5.676	14.643	8.956	18.648
GHDP-130C-585A-O2	32.000	19.343	5.117	5.690	18.848	11.932	26.780
GHDP-130C-635A-O2	32.000						
GHDP-130C-685A-O2	32.000						
GHDP-130C-485A-O5	32.000	20.780	5.911	6.857	9.475	5.406	9.570
GHDP-130C-535A-O5	32.000	20.787	5.913	6.860	13.294	8.135	16.957
GHDP-130C-585A-O5	32.000	20.814	5.924	6.875	17.498	11.110	25.090
GHDP-130C-635A-O5	32.000	20.865	5.944	6.901	22.089	14.347	33.970
GHDP-130C-685A-O5	32.000						
GHDP-130C-735A-O5	32.000						
GHDP-130C-535A-O6	32.000	27.925	7.451	8.328	11.622	6.119	8.758
GHDP-130C-585A-O6	32.000	27.952	7.462	8.342	15.826	9.177	16.890
GHDP-130C-635A-O6	32.000	28.003	7.482	8.369	20.417	12.454	25.770
GHDP-130C-685A-O6	32.000						
GHDP-130C-735A-O6	32.000						

Numéro de modèle	Couple max. Nm	6 BAR SYMMETRICAL - Normally open Torque Output (Nm)					
		BTO	RTO	ETO	BTC	RTC	ETC
GHDP-085S-280A-O2	9.000	2.356	1.136	1.497	2.689	1.309	1.747
GHDP-085S-335A-O2	9.000	2.335	1.122	1.474	4.527	2.465	3.756
GHDP-085S-385A-O2	9.000	2.325	1.116	1.463	6.496	3.694	5.909
GHDP-085S-435A-O2	9.000	2.320	1.113	1.458	8.745	5.094	8.367
GHDP-085S-335A-O3	9.000	3.797	1.810	2.355	3.636	1.640	1.990
GHDP-085S-385A-O3	9.000	3.787	1.804	2.345	5.605	2.893	4.143
GHDP-085S-435A-O3	9.000	3.782	1.801	2.339	7.854	4.302	6.601
GHDP-085S-335A-O5	9.000	4.119	2.016	2.708	3.279	1.406	1.600
GHDP-085S-385A-O5	9.000	4.110	2.010	2.697	5.249	2.668	3.753
GHDP-085S-435A-O5	9.000	4.104	2.007	2.692	7.497	4.079	6.211
GHDP-085S-385A-O6	9.000	5.021	2.438	3.243	4.697	2.149	2.653
GHDP-085S-435A-O6	9.000	5.015	2.434	3.237	6.946	3.578	5.111
GHDP-100S-385A-O1	18.000	6.342	2.783	3.259	6.196	2.533	2.713
GHDP-100S-435A-O1	18.000	6.336	2.779	3.252	8.872	4.277	5.638
GHDP-100S-485A-O1	18.000	6.311	2.762	3.225	11.857	6.163	8.899
GHDP-100S-535A-O1	18.000						
GHDP-100S-585A-O1	18.000						
GHDP-100S-385A-O2	18.000	7.469	3.512	4.490	4.951	1.383	1.352
GHDP-100S-435A-O2	18.000	7.463	3.508	4.483	7.627	3.478	4.277
GHDP-100S-485A-O2	18.000	7.438	3.492	4.456	10.612	5.379	7.539
GHDP-100S-535A-O2	18.000	7.441	3.495	4.460	13.951	7.477	11.189
GHDP-100S-585A-O2	18.000	7.441	3.495	4.460	16.540	8.870	13.685
GHDP-100S-535A-O3	18.000	8.736	4.386	5.400	12.459	6.246	8.798
GHDP-100S-585A-O3	18.000	8.736	4.386	5.400	15.784	8.225	12.229
GHDP-100S-535A-O4	18.000	9.906	5.151	6.750	11.325	5.571	7.628
GHDP-100S-585A-O4	18.000	9.906	5.151	6.750	14.650	7.550	11.059
GHDP-130S-435A-O1	32.000	9.495	4.712	6.439	9.478	4.563	6.006
GHDP-130S-485A-O1	32.000	9.462	4.692	6.403	13.402	7.041	10.295
GHDP-130S-535A-O1	32.000	9.466	4.694	6.408	17.793	9.789	15.094
GHDP-130S-585A-O1	32.000	9.483	4.705	6.426	22.626	12.805	20.378
GHDP-130S-635A-O1	32.000	9.515	4.725	6.461	27.905	16.093	26.147
GHDP-130S-385A-O2	32.000						
GHDP-130S-435A-O2	32.000	11.737	5.633	7.387	8.520	3.292	3.298
GHDP-130S-485A-O2	32.000	11.704	5.612	7.351	12.443	5.888	7.586
GHDP-130S-535A-O2	32.000	11.708	5.615	7.356	16.834	8.671	12.386
GHDP-130S-585A-O2	32.000	11.725	5.626	7.374	21.668	11.704	17.669
GHDP-130S-635A-O2	32.000	11.757	5.646	7.409	26.946	15.001	23.439
GHDP-130S-685A-O2	32.000	11.738	5.634	7.388	32.604	18.529	29.623
GHDP-130S-485A-O5	32.000	12.633	6.374	8.884	10.893	5.093	6.463
GHDP-130S-535A-O5	32.000	12.638	6.377	8.889	15.284	7.878	11.263
GHDP-130S-585A-O5	32.000	12.655	6.388	8.908	20.117	10.909	16.546
GHDP-130S-635A-O5	32.000	12.686	6.408	8.942	25.395	14.205	22.316
GHDP-130S-685A-O5	32.000	12.668	6.396	8.922	31.053	17.732	28.500
GHDP-130S-735A-O5	32.000						
GHDP-130S-535A-O6	32.000	16.933	8.173	10.791	13.360	5.555	6.074
GHDP-130S-585A-O6	32.000	16.950	8.184	10.810	18.194	8.701	11.357
GHDP-130S-635A-O6	32.000	16.981	8.204	10.844	23.472	12.045	17.127
GHDP-130S-685A-O6	32.000	16.962	8.192	10.823	29.130	15.596	23.311
GHDP-130S-735A-O6	32.000						

Numéro de modèle	Couple max. Nm	7 BAR CANTED - Normally open Torque Output (Nm)					
		BTO	RTO	ETO	BTC	RTC	ETC
GHDP-085C-280A-O2	9.000	3.887	1.035	1.155	2.964	1.819	3.816
GHDP-085C-335A-O2	9.000	3.852	1.021	1.137	4.832	3.138	7.429
GHDP-085C-385A-O2	9.000						
GHDP-085C-435A-O2	9.000						
GHDP-085C-385A-O3	9.000	6.251	1.637	1.810	6.056	3.822	8.524
GHDP-085C-435A-O3	9.000						
GHDP-085C-335A-O5	9.000	6.789	1.848	2.090	3.746	2.181	4.055
GHDP-085C-385A-O5	9.000	6.773	1.842	2.082	5.746	3.603	7.924
GHDP-085C-435A-O5	9.000						
GHDP-085C-385A-O6	9.000	8.278	2.228	2.503	5.267	3.144	6.195
GHDP-085C-435A-O6	9.000						
GHDP-085C-485A-O6	9.000						
GHDP-100C-385A-O1	18.000	10.511	2.431	2.514	6.797	3.836	6.614
GHDP-100C-435A-O1	18.000	10.501	2.427	2.509	9.513	5.782	11.869
GHDP-100C-485A-O1	18.000						
GHDP-100C-385A-O2	18.000	12.334	3.168	3.464	5.714	3.046	4.519
GHDP-100C-435A-O2	18.000	12.324	3.164	3.459	8.430	5.012	9.774
GHDP-100C-485A-O2	18.000						
GHDP-100C-535A-O2	18.000						
GHDP-100C-585A-O2	18.000						
GHDP-100C-535A-O3	18.000						
GHDP-100C-585A-O3	18.000						
GHDP-100C-535A-O4	18.000	16.317	4.928	5.286	12.859	7.797	16.372
GHDP-100C-585A-O4	18.000						
GHDP-130C-435A-O1	32.000	15.634	4.343	4.970	10.603	6.485	13.505
GHDP-130C-485A-O1	32.000	15.581	4.323	4.942	14.589	9.305	21.215
GHDP-130C-535A-O1	32.000	15.588	4.325	4.946	19.045	12.445	29.833
GHDP-130C-585A-O1	32.000						
GHDP-130C-635A-O1	32.000						
GHDP-130C-385A-O2	32.000	19.375	5.129	5.707	6.200	2.431	2.315
GHDP-130C-435A-O2	32.000	19.361	5.124	5.700	9.771	5.468	9.223
GHDP-130C-485A-O2	32.000	19.308	5.103	5.672	13.757	8.328	16.934
GHDP-130C-535A-O2	32.000	19.315	5.106	5.676	18.212	11.483	25.551
GHDP-130C-585A-O2	32.000						
GHDP-130C-635A-O2	32.000						
GHDP-130C-685A-O2	32.000						
GHDP-130C-485A-O5	32.000	20.780	5.911	6.857	12.408	7.506	15.243
GHDP-130C-535A-O5	32.000	20.787	5.913	6.860	16.863	10.661	23.861
GHDP-130C-585A-O5	32.000	20.814	5.924	6.875	21.765	14.119	33.344
GHDP-130C-635A-O5	32.000						
GHDP-130C-685A-O5	32.000						
GHDP-130C-735A-O5	32.000						
GHDP-130C-535A-O6	32.000	27.925	7.451	8.328	15.191	8.719	15.661
GHDP-130C-585A-O6	32.000	27.952	7.462	8.342	20.093	12.224	25.144
GHDP-130C-635A-O6	32.000						
GHDP-130C-685A-O6	32.000						
GHDP-130C-735A-O6	32.000						

Numéro de modèle	Couple max. Nm	7 BAR SYMMETRICAL - Normally open Torque Output (Nm)					
		BTO	RTO	ETO	BTC	RTC	ETC
GHDP-085S-280A-O2	9.000	2.356	1.136	1.497	3.407	1.763	2.533
GHDP-085S-335A-O2	9.000	2.335	1.122	1.474	5.555	3.107	4.880
GHDP-085S-385A-O2	9.000	2.325	1.116	1.463	7.855	4.539	7.394
GHDP-085S-435A-O2	9.000						
GHDP-085S-335A-O3	9.000	3.797	1.810	2.355	4.664	2.299	3.114
GHDP-085S-385A-O3	9.000	3.787	1.804	2.345	6.963	3.745	5.628
GHDP-085S-435A-O3	9.000	3.782	1.801	2.339	9.588	5.384	8.496
GHDP-085S-335A-O5	9.000	4.119	2.016	2.708	4.307	2.072	2.724
GHDP-085S-385A-O5	9.000	4.110	2.010	2.697	6.607	3.522	5.238
GHDP-085S-435A-O5	9.000	4.104	2.007	2.692	9.231	5.162	8.106
GHDP-085S-385A-O6	9.000	5.021	2.438	3.243	6.055	3.016	4.137
GHDP-085S-435A-O6	9.000	5.015	2.434	3.237	8.680	4.666	7.006
GHDP-100S-385A-O1	18.000	6.342	2.783	3.259	7.813	3.598	4.479
GHDP-100S-435A-O1	18.000	6.336	2.779	3.252	10.936	5.583	7.893
GHDP-100S-485A-O1	18.000						
GHDP-100S-535A-O1	18.000						
GHDP-100S-585A-O1	18.000						
GHDP-100S-385A-O2	18.000	7.469	3.512	4.490	6.567	2.783	3.118
GHDP-100S-435A-O2	18.000	7.463	3.508	4.483	9.690	4.796	6.532
GHDP-100S-485A-O2	18.000	7.438	3.492	4.456	13.176	6.991	10.342
GHDP-100S-535A-O2	18.000						
GHDP-100S-585A-O2	18.000						
GHDP-100S-535A-O3	18.000	8.736	4.386	5.400	15.291	7.932	11.721
GHDP-100S-585A-O3	18.000						
GHDP-100S-535A-O4	18.000	9.906	5.151	6.750	14.157	7.257	10.551
GHDP-100S-585A-O4	18.000						
GHDP-130S-435A-O1	32.000	9.495	4.712	6.439	12.191	6.280	8.971
GHDP-130S-485A-O1	32.000	9.462	4.692	6.403	16.774	9.152	13.981
GHDP-130S-535A-O1	32.000	9.466	4.694	6.408	21.896	12.350	19.579
GHDP-130S-585A-O1	32.000	9.483	4.705	6.426	27.532	15.861	25.740
GHDP-130S-635A-O1	32.000	9.515	4.725	6.461	33.685	19.691	32.466
GHDP-130S-385A-O2	32.000	11.745	5.639	7.396	7.126	1.827	1.775
GHDP-130S-435A-O2	32.000	11.737	5.633	7.387	11.232	5.109	6.263
GHDP-130S-485A-O2	32.000	11.704	5.612	7.351	15.815	8.029	11.272
GHDP-130S-535A-O2	32.000	11.708	5.615	7.356	20.937	11.246	16.871
GHDP-130S-585A-O2	32.000	11.725	5.626	7.374	26.574	14.769	23.032
GHDP-130S-635A-O2	32.000	11.757	5.646	7.409	32.727	18.606	29.757
GHDP-130S-685A-O2	32.000	11.738	5.634	7.388	39.330	22.718	36.976
GHDP-130S-485A-O5	32.000	12.633	6.374	8.884	14.265	7.236	10.149
GHDP-130S-535A-O5	32.000	12.638	6.377	8.889	19.387	10.452	15.748
GHDP-130S-585A-O5	32.000	12.655	6.388	8.908	25.023	13.973	21.908
GHDP-130S-635A-O5	32.000	12.686	6.408	8.942	31.176	17.808	28.634
GHDP-130S-685A-O5	32.000						
GHDP-130S-735A-O5	32.000						
GHDP-130S-535A-O6	32.000	16.933	8.173	10.791	17.464	8.234	10.559
GHDP-130S-585A-O6	32.000	16.950	8.184	10.810	23.100	11.810	16.720
GHDP-130S-635A-O6	32.000	16.981	8.204	10.844	29.253	15.673	23.445
GHDP-130S-685A-O6	32.000						
GHDP-130S-735A-O6	32.000						

Numéro de modèle	Couple max. Nm	8,5 BAR CANTED - Normally open Torque Output (Nm)					
		BTO	RTO	ETO	BTC	RTC	ETC
GHDP-085C-280A-O2	9.000	3.887	1.035	1.155	3.901	2.482	5.629
GHDP-085C-335A-O2	9.000						
GHDP-085C-385A-O2	9.000						
GHDP-085C-435A-O2	9.000						
GHDP-085C-385A-O3	9.000						
GHDP-085C-435A-O3	9.000						
GHDP-085C-335A-O5	9.000	6.789	1.848	2.090	5.088	3.137	6.650
GHDP-085C-385A-O5	9.000						
GHDP-085C-435A-O5	9.000						
GHDP-085C-385A-O6	9.000						
GHDP-085C-435A-O6	9.000						
GHDP-085C-485A-O6	9.000						
GHDP-100C-385A-O1	18.000	10.511	2.431	2.514	8.905	5.350	10.693
GHDP-100C-435A-O1	18.000						
GHDP-100C-485A-O1	18.000						
GHDP-100C-385A-O2	18.000	12.334	3.168	3.464	7.822	4.576	8.598
GHDP-100C-435A-O2	18.000						
GHDP-100C-485A-O2	18.000						
GHDP-100C-535A-O2	18.000						
GHDP-100C-585A-O2	18.000						
GHDP-100C-535A-O3	18.000						
GHDP-100C-585A-O3	18.000						
GHDP-100C-535A-O4	18.000						
GHDP-100C-585A-O4	18.000						
GHDP-130C-435A-O1	32.000	15.634	4.343	4.970	14.142	8.989	20.350
GHDP-130C-485A-O1	32.000	15.581	4.323	4.942	18.989	12.406	29.725
GHDP-130C-535A-O1	32.000						
GHDP-130C-585A-O1	32.000						
GHDP-130C-635A-O1	32.000						
GHDP-130C-385A-O2	32.000	19.375	5.129	5.707	8.972	4.885	7.677
GHDP-130C-435A-O2	32.000	19.361	5.124	5.700	13.310	8.009	16.069
GHDP-130C-485A-O2	32.000	19.308	5.103	5.672	18.156	11.443	25.443
GHDP-130C-535A-O2	32.000						
GHDP-130C-585A-O2	32.000						
GHDP-130C-635A-O2	32.000						
GHDP-130C-685A-O2	32.000						
GHDP-130C-485A-O5	32.000	20.780	5.911	6.857	16.807	10.621	23.753
GHDP-130C-535A-O5	32.000	20.787	5.913	6.860	22.216	14.437	34.216
GHDP-130C-585A-O5	32.000						
GHDP-130C-635A-O5	32.000						
GHDP-130C-685A-O5	32.000						
GHDP-130C-735A-O5	32.000						
GHDP-130C-535A-O6	32.000	27.925	7.451	8.328	20.544	12.544	26.016
GHDP-130C-585A-O6	32.000						
GHDP-130C-635A-O6	32.000						
GHDP-130C-685A-O6	32.000						
GHDP-130C-735A-O6	32.000						

Numéro de modèle	Couple max. Nm	8,5 BAR SYMMETRICAL - Normally open Torque Output (Nm)					
		BTO	RTO	ETO	BTC	RTC	ETC
GHDP-085S-280A-O2	9.000	2.356	1.136	1.497	4.485	2.439	3.710
GHDP-085S-335A-O2	9.000	2.335	1.122	1.474	7.098	4.068	6.566
GHDP-085S-385A-O2	9.000	2.325	1.116	1.463	9.892	5.807	9.620
GHDP-085S-435A-O2	9.000						
GHDP-085S-335A-O3	9.000	3.797	1.810	2.355	6.206	3.271	4.800
GHDP-085S-385A-O3	9.000	3.787	1.804	2.345	9.000	5.018	7.854
GHDP-085S-435A-O3	9.000						
GHDP-085S-335A-O5	9.000	4.119	2.016	2.708	5.850	3.047	4.410
GHDP-085S-385A-O5	9.000	4.110	2.010	2.697	8.644	4.796	7.465
GHDP-085S-435A-O5	9.000						
GHDP-085S-385A-O6	9.000	5.021	2.438	3.243	8.093	4.298	6.364
GHDP-085S-435A-O6	9.000						
GHDP-100S-385A-O1	18.000	6.342	2.783	3.259	10.237	5.142	7.129
GHDP-100S-435A-O1	18.000						
GHDP-100S-485A-O1	18.000						
GHDP-100S-535A-O1	18.000						
GHDP-100S-585A-O1	18.000						
GHDP-100S-385A-O2	18.000	7.469	3.512	4.490	8.992	4.353	5.768
GHDP-100S-435A-O2	18.000	7.463	3.508	4.483	12.785	6.746	9.915
GHDP-100S-485A-O2	18.000						
GHDP-100S-535A-O2	18.000						
GHDP-100S-585A-O2	18.000						
GHDP-100S-535A-O3	18.000						
GHDP-100S-585A-O3	18.000						
GHDP-100S-535A-O4	18.000						
GHDP-100S-585A-O4	18.000						
GHDP-130S-435A-O1	32.000	9.495	4.712	6.439	16.260	8.831	13.419
GHDP-130S-485A-O1	32.000	9.462	4.692	6.403	21.832	12.310	19.509
GHDP-130S-535A-O1	32.000	9.466	4.694	6.408	28.051	16.183	26.307
GHDP-130S-585A-O1	32.000	9.483	4.705	6.426	34.891	20.441	33.784
GHDP-130S-635A-O1	32.000						
GHDP-130S-385A-O2	32.000	11.745	5.639	7.396	10.314	4.510	5.258
GHDP-130S-435A-O2	32.000	11.737	5.633	7.387	15.301	7.704	10.710
GHDP-130S-485A-O2	32.000	11.704	5.612	7.351	20.873	11.206	16.801
GHDP-130S-535A-O2	32.000	11.708	5.615	7.356	27.092	15.092	23.598
GHDP-130S-585A-O2	32.000	11.725	5.626	7.374	33.933	19.357	31.075
GHDP-130S-635A-O2	32.000						
GHDP-130S-685A-O2	32.000	11.738	5.634	7.388	49.420	28.997	48.004
GHDP-130S-485A-O5	32.000	12.633	6.374	8.884	19.323	10.412	15.677
GHDP-130S-535A-O5	32.000	12.638	6.377	8.889	25.541	14.296	22.475
GHDP-130S-585A-O5	32.000	12.655	6.388	8.908	32.382	18.559	29.952
GHDP-130S-635A-O5	32.000						
GHDP-130S-685A-O5	32.000						
GHDP-130S-735A-O5	32.000						
GHDP-130S-535A-O6	32.000	16.933	8.173	10.791	23.618	12.137	17.286
GHDP-130S-585A-O6	32.000	16.950	8.184	10.810	30.459	16.429	24.763
GHDP-130S-635A-O6	32.000						
GHDP-130S-685A-O6	32.000						
GHDP-130S-735A-O6	32.000						

spécifications

CYCLE DE PEINTURE ACTUATECH

La peinture des actionneurs Heavy Duty (Standard ACTUATECH), indiquée dans le tableau, permet leur installation à l'extérieur: sites de produits chimiques, gazoducs, raffineries et applications off-shore. Peintures disponibles sur demande selon les spécifications du client.

PRÉPARATION DE LA SURFACE		SABLAGE DEGRÉ SA 2.1/2
Revêtement	Type de peinture	ÉPAISSEUR
Première couche	Galvanisant inorganique	75 µ
Couche intermédiaire	Epoxy	110 µ
Dernière couche	Polyuréthane	40 µ
ÉPAISSEUR TOTALE		225 µ
Peinture standard: RAL 5010		

CORPS CENTRAL - CONFIGURATIONS DISPONIBLES

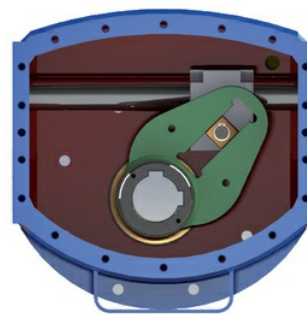
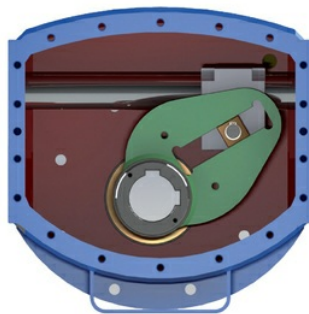
Conception dissymétrique (canted)

Couple de démarrage d'ouverture (BTO) très élevé, avec une forte baisse de la valeur du couple délivré dans la phase finale (ETO) de la manœuvre d'ouverture. Couple de démarrage de fermeture (BTC) nettement inférieur au couple d'ouverture (BTO).

Conception symétrique

Courbe de couple plus équilibrée, les valeurs de BTO-ETO BTC-ETC sont similaires.

DESIGN ASIMMETRICO
CANTED DESIGN



DESIGN SIMMETRICO
SYMMETRICAL DESIGN

accessoires

Pour plus d'informations, veuillez consulter le catalogue des accessoires ACTUATECH.

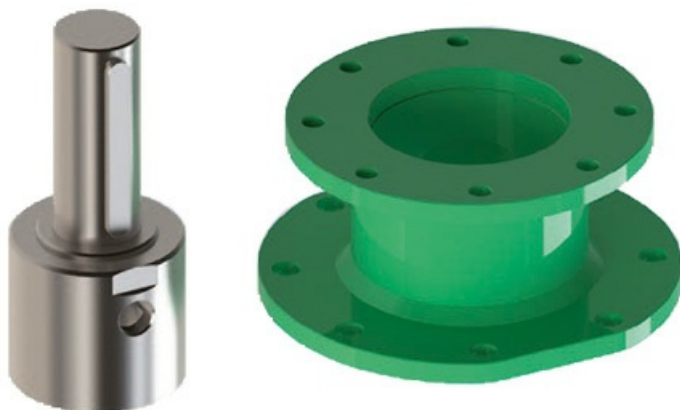
Pompe
Vérin hydraulique
Réservoir d'huile
Clapet anti-retour
Vanne de sécurité

COMMANDE HYDRAULIQUE MANUELLE D'URGENCE



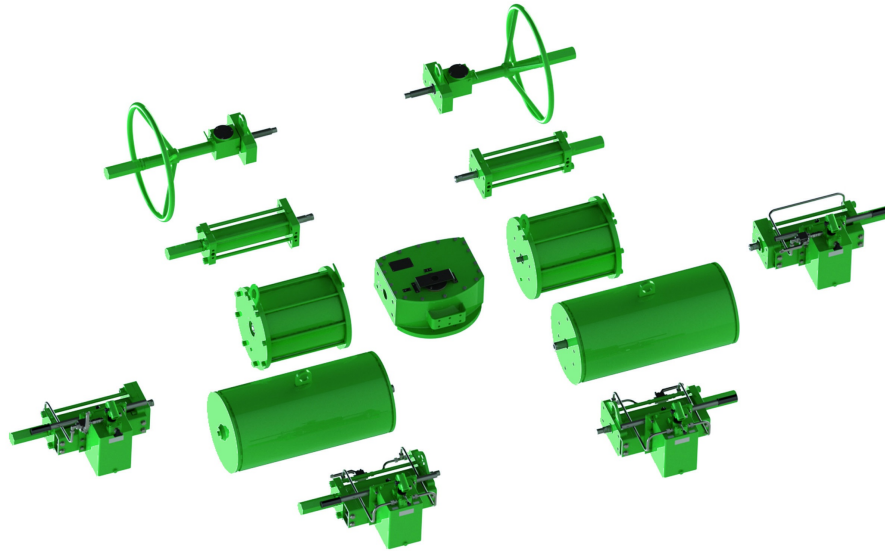
Per attuatore semplice effetto
For spring return actuator

Connecteur - Manchon



L'actionneur a été conçu de manière à prévoir des raccords conformes aux normes internationales les plus récentes pour permettre et faciliter son montage sur les vannes et les accessoires. Actuatch complète son offre avec des kits de montage, des connecteurs et des manchons sur demande.

Construction modulaire



La conception modulaire des actionneurs HEAVY DUTY Actuatech garantit des utilisations complètement polyvalentes.
La construction modulaire permet d'assembler les composants en fonction des exigences d'utilisation.

documents

Catalogues

ATTUATORI HEAVY DUTY

Manuels

MANUALE GHDP CON COMANDO MANUALE
MANUALE GHDP CON COMANDO IDRAULICO
MANUALE GHDP CON RITORNO A MOLLA

Certificats

IP66M-IP67M CERTIFICATE
SIL CERTIFICATE GHDP
Acknowledgement Of Receipt EC ATEX

Instructions

8_1165 Attuatori Heavy Duty - istruzioni ATEX

