

## GS (spring return) pneumatic actuator, low temperature (-50°C / +60°C)

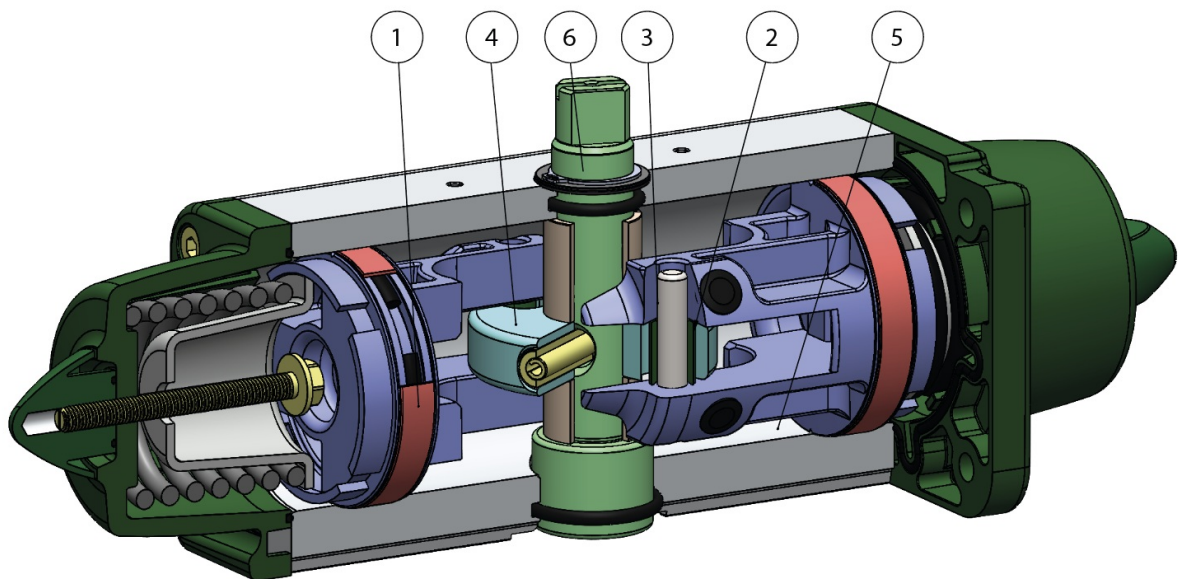
Macro Pneumatic actuators

Category Special version on request

On request



### benefits



**1.Energized and self-lubricated strips**

Less friction between piston and cylinder

It prevents the bonding of the seal to the cylinder even after long periods of inactivity

**2.Slots, bushes and pins made by steel with hardness higher than 50 HRC**

Higher resistance to the forces inside the actuator

**3.Rolling friction between piston and slot**

Less friction

**4.Scotch yoke with rolling friction (transforming rotary motion into linear motion using piston and shaft without teeth/gears)**

Reduced friction between piston and shaft with consequently less wear on the relevant parts

Empowered Breakaway Torque (BTO & BTC)

Smaller volume/size than rack and pinion actuators (with the same torque) therefore less space required for installation

Less weight than the rack and pinion (-30% kg / Nm), with consequent savings on the construction sizing of the plant/equipment

Lower air consumption compared to the rack and pinion actuators (-40% air cm<sup>3</sup>/Nm for Double Acting and -20% air cm<sup>3</sup>/Nm for Spring Return) therefore less load on the compressor or the possibility of using a smaller compressor's size.

**5.Rolled cylinder**

Less wear of the energized ties thanks to the low roughness of the surface

**6.Stainless steel shaft**

Higher corrosion resistance

**From sizes bigger than GD15, NAMUR interface for solenoid valve is already integrated**

No need for extra plate.

**100% in- house manufacturing process technology**

Maximum control and accuracy in all the stages of the manufacturing process

**ATEX Certificate**

Installation is allowed in a potential explosive environment

**Up to SIL 3 Certified**

Guarantee of the high level of functional safety.

accessories

**LIMIT SWITCH BOX**



**MANUAL OVERRIDE WITH HAND WHEEL**



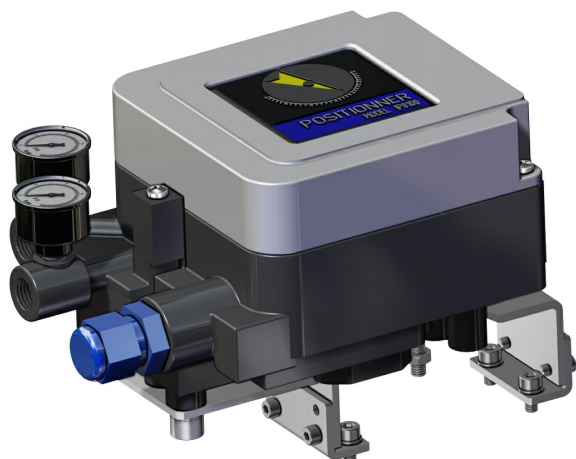
**NAMUR SOLENOID VALVES**



**SOLENOID VALVES**



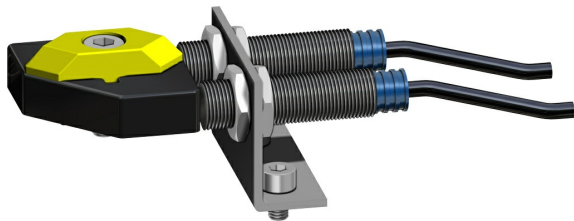
**ELECTROPNEUMATIC POSITIONER (INTRINSICALLY SAFE)**



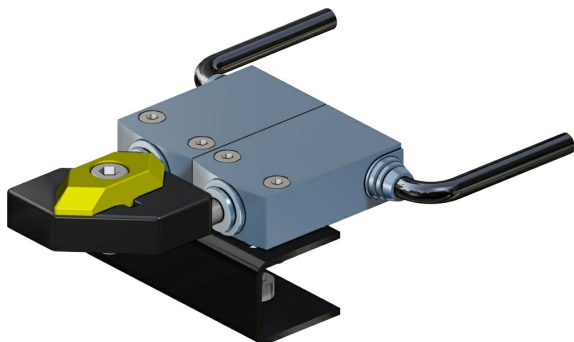
**PNEUMATIC POSITIONER**



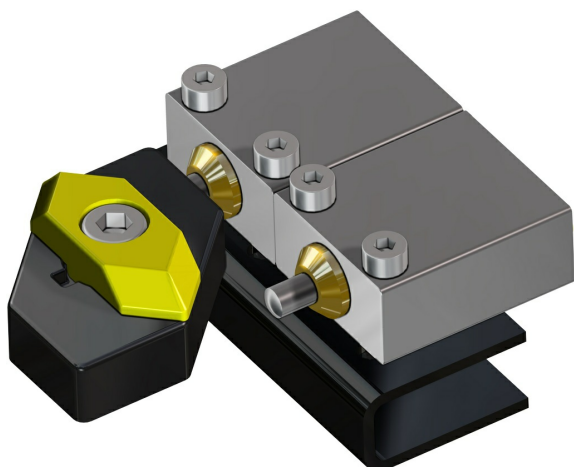
**PROXIMITY LIMIT SWITCHES**



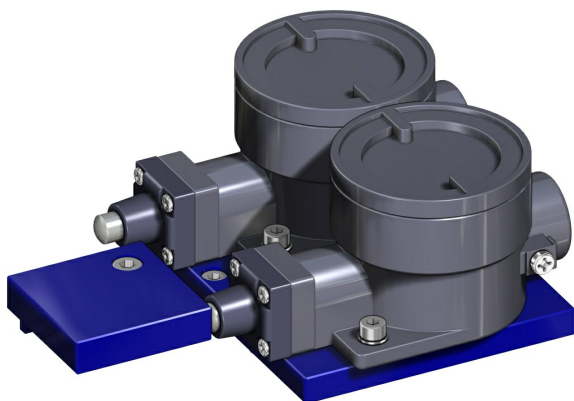
**ELECTROMECHANICAL LIMIT SWITCHES**



**PNEUMATIC LIMIT SWITCHES**



**EXPLOSION PROOF LIMIT SWITCHES II2GD ExdIIC**



For more information check the ACTUATECH Accessories Catalogue.