

SRN0053401S

Pneumatic actuators - AGO - Aluminium
 actuators SRN53 F05/F07

Size: SRN53
 ISO: F05/F07

210,00 € Excl. VAT
 list price

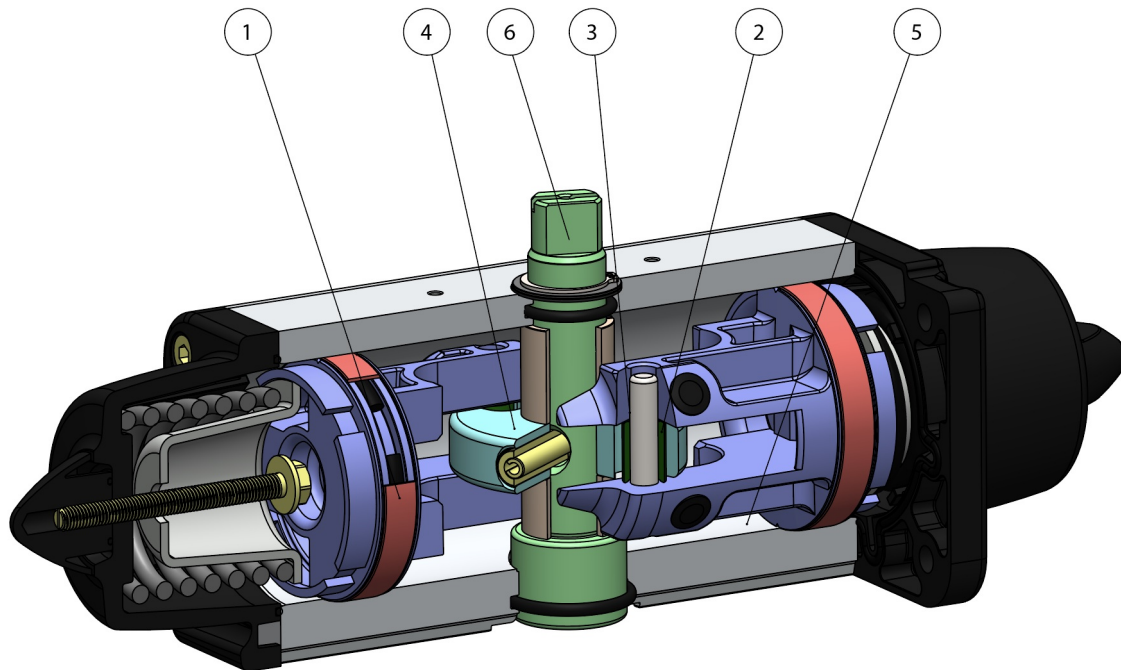


Article	Weight [kg]	Torque 5,6 bar [Nm]	Air volume [dm ³ /cycle]	Spare seal
SRN0053401S	3	53 Nm	0.3	KGGI0060

GENERAL INFO

AGO - Aluminium spring return SR type

benefits



1. Energized and self-lubricated strips

Less friction between piston and cylinder

It prevents the bonding of the seal to the cylinder even after long periods of inactivity

2. Slots, bushes and pins made by steel with hardness higher than 50 HRC

Higher resistance to the forces inside the actuator

3. Rolling friction between piston and slot

Less friction

4. Scotch yoke with rolling friction (transforming rotary motion into linear motion using piston and shaft without teeth/gears)

Reduced friction between piston and shaft with consequently less wear on the relevant parts

Empowered Breakaway Torque (BTO & BTC)

Smaller volume/size than rack and pinion actuators (with the same torque) therefore less space required for installation

Less weight than the rack and pinion (-30% kg / Nm), with consequent savings on the construction sizing of the plant/equipment

Lower air consumption compared to the rack and pinion actuators (-40% air cm³/Nm for Double Acting and -20% air cm³/Nm for Spring Return) therefore less load on the compressor or the possibility of using a smaller compressor's size.

5. Rolled cylinder

Less wear of the energized ties thanks to the low roughness of the surface

6. Stainless Steel shaft

Higher corrosion resistance

From sizes bigger than DAN15, NAMUR interface for solenoid valve is already integrated

No need for extra plate.

100% in- house manufacturing process technology

Maximum control and accuracy in all the stages of the manufacturing process

ATEX Certificate

Installation is allowed in a potential explosive environment

Up to SIL 3 Certified

Guarantee of the high level of functional safety.

features

TECHNICAL FEATURES

Torque from 15 Nm to 4000 Nm.

Mounting flange according to EN ISO 5211

F03 - F04 - F05 - F07 - F10 - F12 - F14 - F16 - F25.

In compliance with EN 15714-3

Rotation angle: 92° (-1°, +91°)

Torque: the return torque depends on spring action only notwithstanding the air supply. The spring is provided in four different sizes (see table).

The code numbers after the letters SR/SRN, always correspond to the breakaway torque in Nm by 5,6 bar air supply.

The actuator automatic closing takes place in clockwise direction by means of its springs.

ATEX version in conformity with directive 2014/34/EU. Please add YX at the end of the code for ATEX version.

WORKING CONDITION

Temperature: from -20°C to +80°C. (Special versions: high temperature: -20°C +150°C; low temperature: -50°C +60°)

Air supply: 5,6 bar; maximum 8,4 bar.

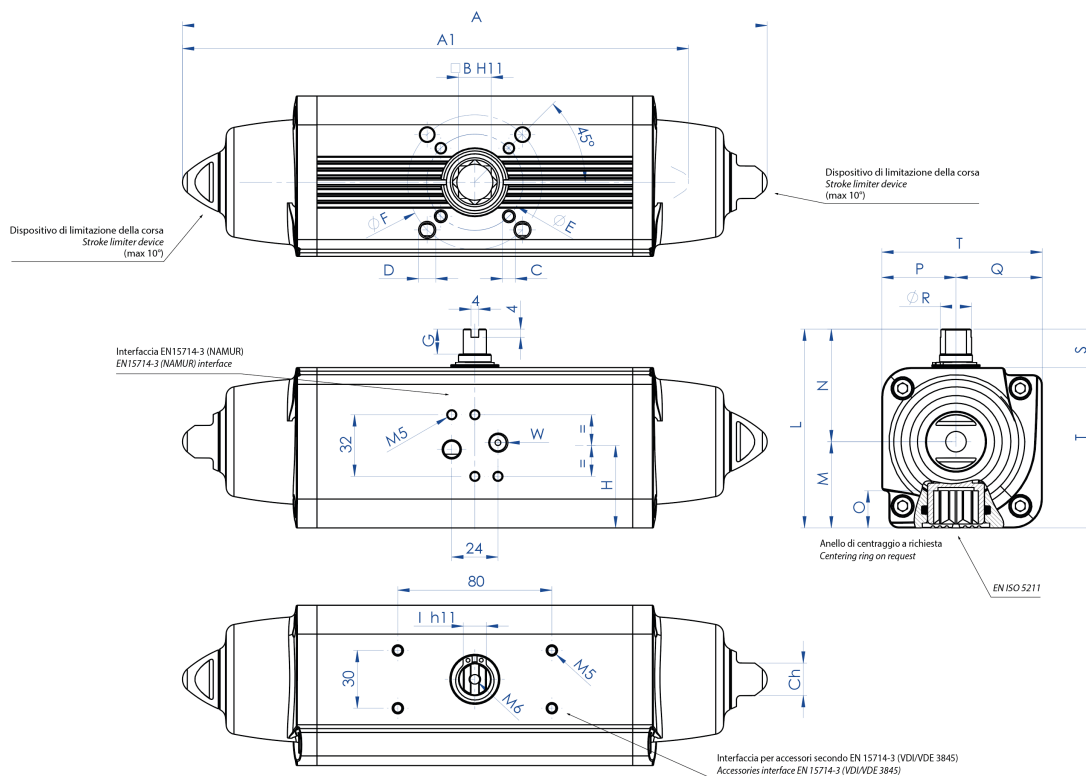
Actuating media: filtered dry compressed air, not necessarily lubricated.

In case of lubricated air, either non detergent oil, NBR compatible oil, must be used.

dimensions

SRN15 - SRN960

Spring return pneumatic actuator sizes from SRN15 (Nm) to SRN960 (Nm)



dimensions

DATA SHEET FROM SRN15 (Nm) to SRN53 (Nm)					
Code	SRN0015401S	SRN0015402S	SRN0030401S	SRN0030402S	SRN0053401S
Spare seals	KGGI0014		KGGI0016		KGGI0060
Size	SRN15		SRN30		SRN53
ISO	F03/F05	F04	F04	F05/F07	F05/F07
A	233,3	233,3	259	259	304,3
A1 (2,8 Bar)	203,8	203,8	228,5	228,5	270,7
B	11	11	14	14	17
C x depth	M5x8	M5x8	M5x8	M6x9	M6x9
D x depth	M6x9	-	-	M8x12	M8x12
E	36	42	42	50	50
F	50	-	-	70	70
G	10	10	13	13	13
H	30,3	30,3	35,7	35,7	42,8
I	9	9	10	10	12
L	79,2	79,2	90,4	90,4	103,3
M	31,5	31,5	37,7	37,7	44,8
N	47,7	47,7	52,7	52,7	58,5
O	13,2	13,2	16,5	16,5	19,3
P	27,7	27,7	32,7	32,7	38,5
Q	31,5	31,5	37,7	37,7	44,8
R	10,9	10,9	14,5	14,5	16,2
S	20	20	20	20	20
T	59,2	59,2	70,4	70,4	83,3
W (Gas)	1/8"	1/8"	1/8"	1/8"	1/8"
Ch	13	13	13	13	17
Weight (Kg)	1,2	1,2	1,95	1,95	3
Air (dm ³ /cycle)	0,09	0,09	0,17	0,17	0,3

H = CENTER OF PLATE'S FIXING



dimensions

DATA SHEET FROM SRN60 (Nm) al SRN360 (Nm)						
Code	SRN0060401S	SRN0090401S	SRN0120401S	SRN0180401S	SRN0240401S	SRN0360401S
Spare seals	KGGI0018	KGGI0019	KGGI0020	KGGI0021	KGGI0022	KGGI0023
Size	SRN60	SRN90	SRN120	SRN180	SRN240	SRN360
ISO	F05/F07	F07/F10	F07/F10	F07/F10	F10/F12	F10/F12
A	338,5	393,7	409,6	474	520,5	613
A1 (2,8 Bar)	309,1	341,8	361,6	406,6	454,1	523
B	17	22	22	22	27	27
C x depth	M6x9	M8x12	M8x12	M8x12	M10x15	M10x15
D x depth	M8x12	M10x15	M10x15	M10x15	M12x18	M12x18
E	50	70	70	70	102	102
F	70	102	102	102	125	125
G	13	16	17	19	19	19,5
H	44,8	54,5	58,1	60	57,4	61,5
I	12	15	15	19	19	22
L	107	137,5	141,1	148	164,9	178
M	46,8	56,5	60,1	62	72,9	78,5
N	60,2	81	81	86	92	99,5
O	19,3	24,8	24,8	24,3	29,5	29,5
P	40,2	51	51	56	62	69,5
Q	46,8	56,5	60,1	62	72,9	78,5
R	18	20,2	22,5	25,5	29	31,8
S	20	30	30	30	30	30
T	87	107,5	111,1	118	134,9	148
W (Gas)	1/8"	1/8"	1/8"	1/8"	1/4"	1/4"
Ch	17	22	22	22	27	27
Weight (Kg)	3,35	5,9	6,8	8,9	11,8	16,5
Air (dm ³ /cycle)	0,33	0,55	0,8	1	1,5	2

H = CENTER OF PLATE'S FIXING

dimensions

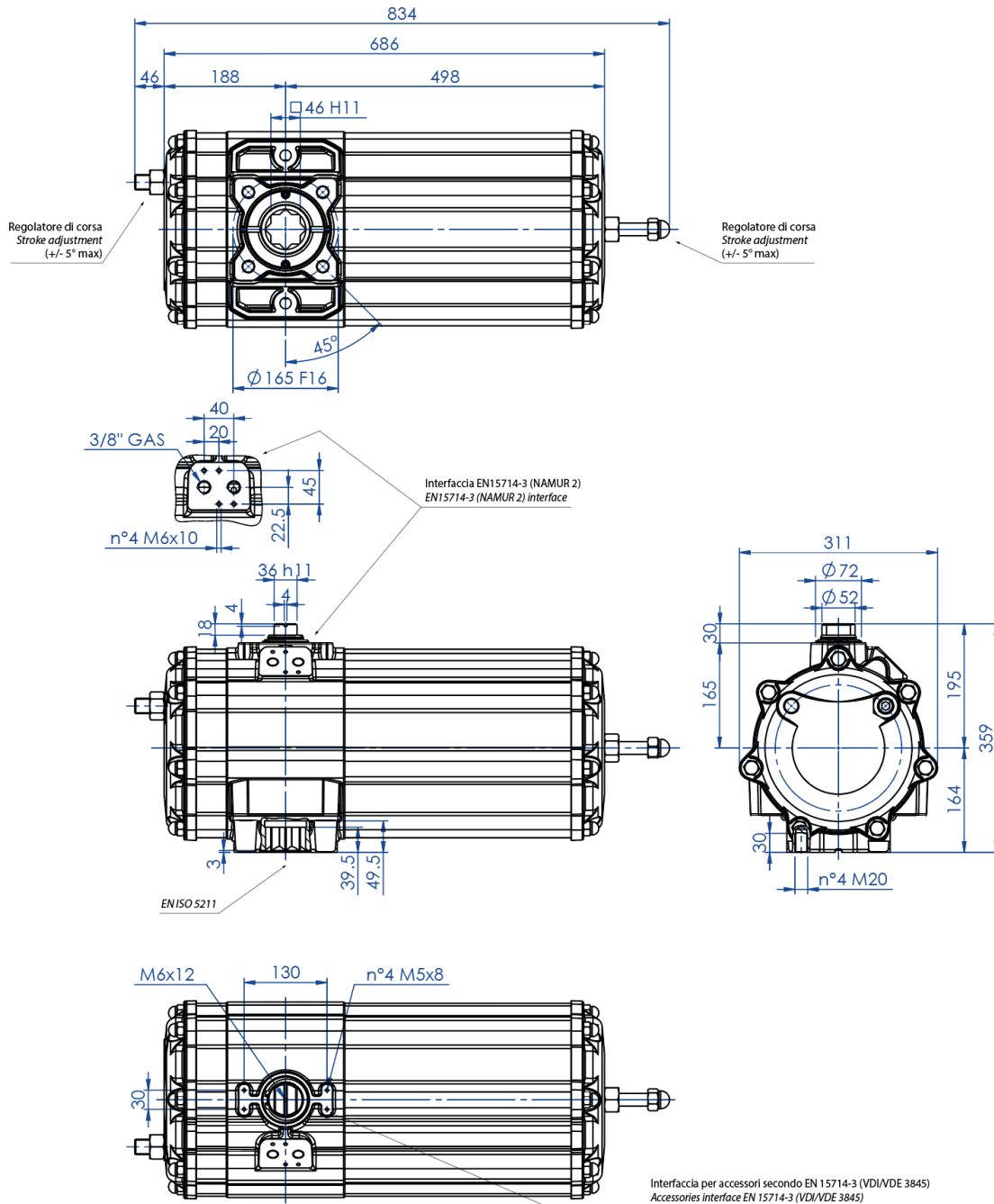
DATA SHEET FROM SRN480 (Nm) al SRN960 (Nm)						
Code	SRN0480401S	SRN0480402S	SRN0720402S	SRN0720401S	SRN0960402S	SRN0960401S
Spare seals	KGGI0024		KGGI0025		KGGI0026	
Size	SRN480		SRN720		SRN960	
ISO	F10/F12	F14	F12	F14	F12/F16	F14
A	648,2	648,2	798	798	828	828
A1 (2,8 Bar)	563,8	563,8	683	683	714,4	714,4
B	36	36	36	36	46	46
C x depth	M10x15	M16x24	M12x18	M16x24	M12x18	M16x24
D x depth	M12x18	-	-	-	M20x30	-
E	102	140	125	140	125	140
F	125	-	-	-	165	-
G	19,5	19,5	19,5	19,5	18,5	18,5
H	78	78	86,5	86,5	99,2	99,2
I	24	24	27	27	32	32
L	198	198	216	216	237,7	237,7
M	93,5	93,5	101,5	101,5	114,7	114,7
N	104,5	104,5	114,5	114,5	123	123
O	38,5	38,5	38,5	38,5	48,5	48,5
P	74,5	74,5	84,5	84,5	93	93
Q	93,5	93,5	101,5	101,5	114,7	114,7
R	36,5	36,5	41	41	46	46
S	30	30	30	30	30	30
T	168	168	186	186	207,7	207,7
W (Gas)	1/4"	1/4"	1/4"	1/4"	1/4"	1/4"
Ch	27	27	36	36	36	36
Weight (Kg)	22,7	22,7	33	33	42	42
Air (dm ³ /cycle)	2,8	2,8	4,2	4,2	5,9	5,9

H = CENTER OF PLATE'S FIXING

dimensions

SR1440

Spring return pneumatic actuator size SR 1440 (Nm)



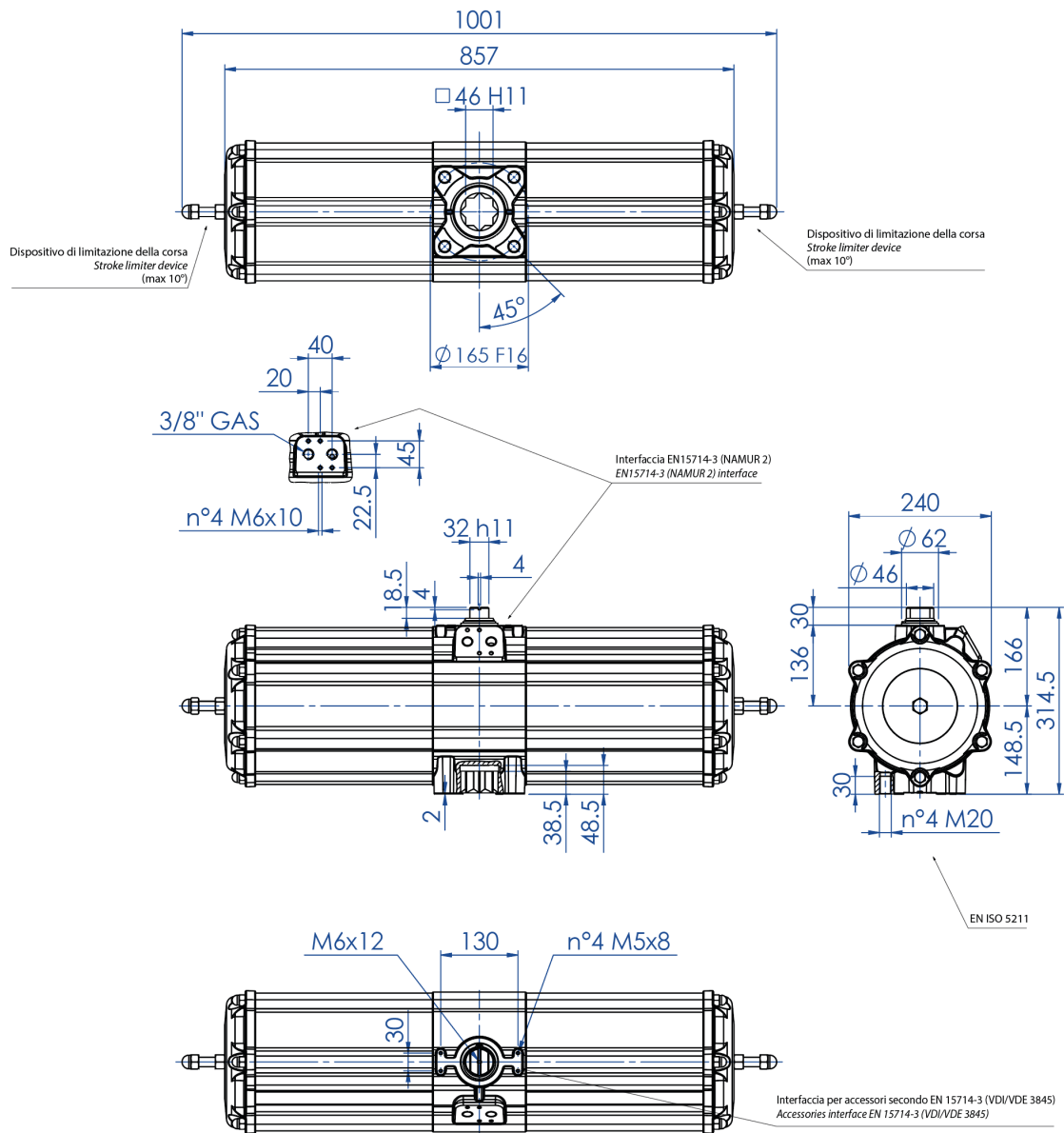
dimensions

DATA SHEET SR 1440 (Nm)	
Code	SRI440E16D8A
Weight [Kg]	74,0
Air volume [dm ³ /cycle]	11,0
Spare seals	KCSI1035

dimensions

SR1920

Spring return pneumatic actuator size SR 1920 (Nm)



Disponibile versione con doppia regolazione della corsa (+/- 5°max) con codice SR1920E16D8A.
 Available version with double stroke adjustment (+/- 5°max) with code SR1920E16D8A.

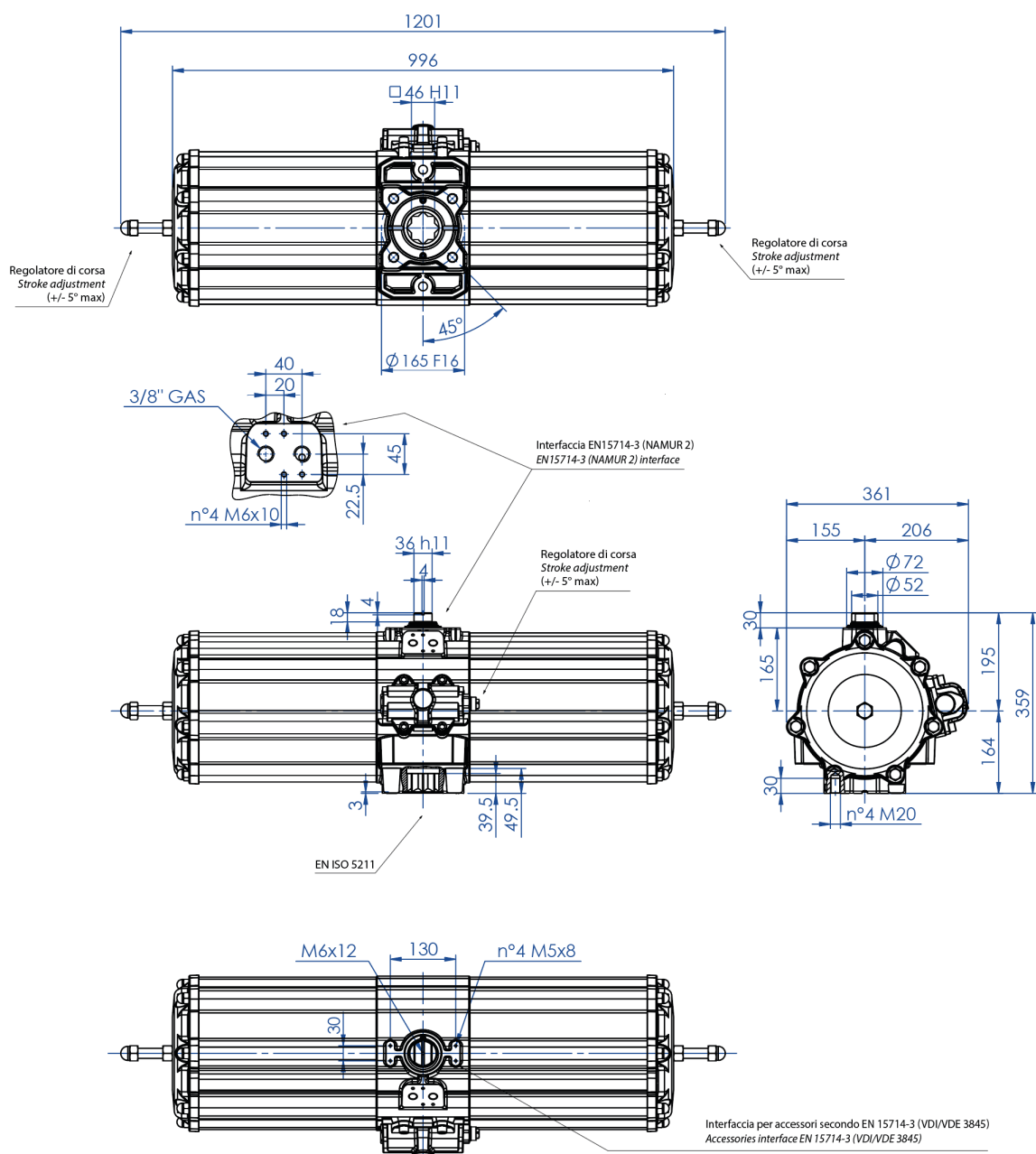
dimensions

DATA SHEET SR 1920 (Nm)	
Code	SR1920E1608A
Weight [Kg]	67,0
Air volume [dm ³ /cycle]	12,0
Spare seals	KGDI0030

dimensions

SR2880

Spring return pneumatic actuator size SR 2880 (Nm)



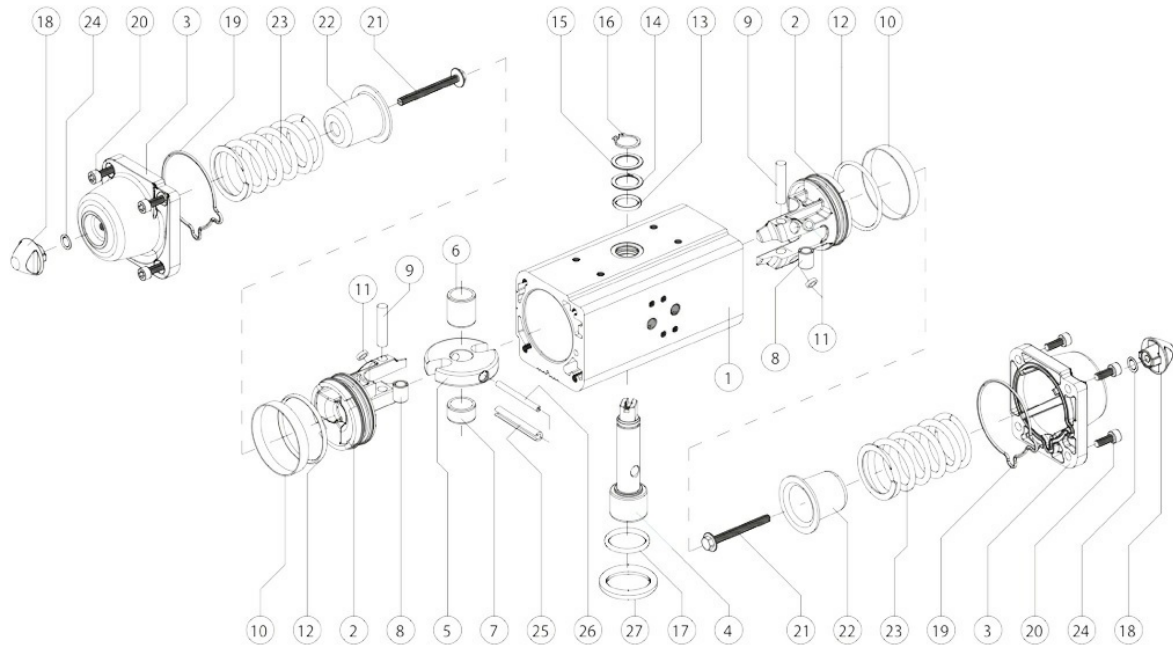
dimensions

DATA SHEET SR 2880 (Nm)	
Code	SR2880E16D8A
Weight [Kg]	116,8
Air volume [dm ³ /cycle]	21,0
Spare seals	KGSI2035

materials

SRN15 - SRN960

SPRING RETURN PNEUMATIC ACTUATOR COMPONENTS SIZE: SRN15-SRN960



materials

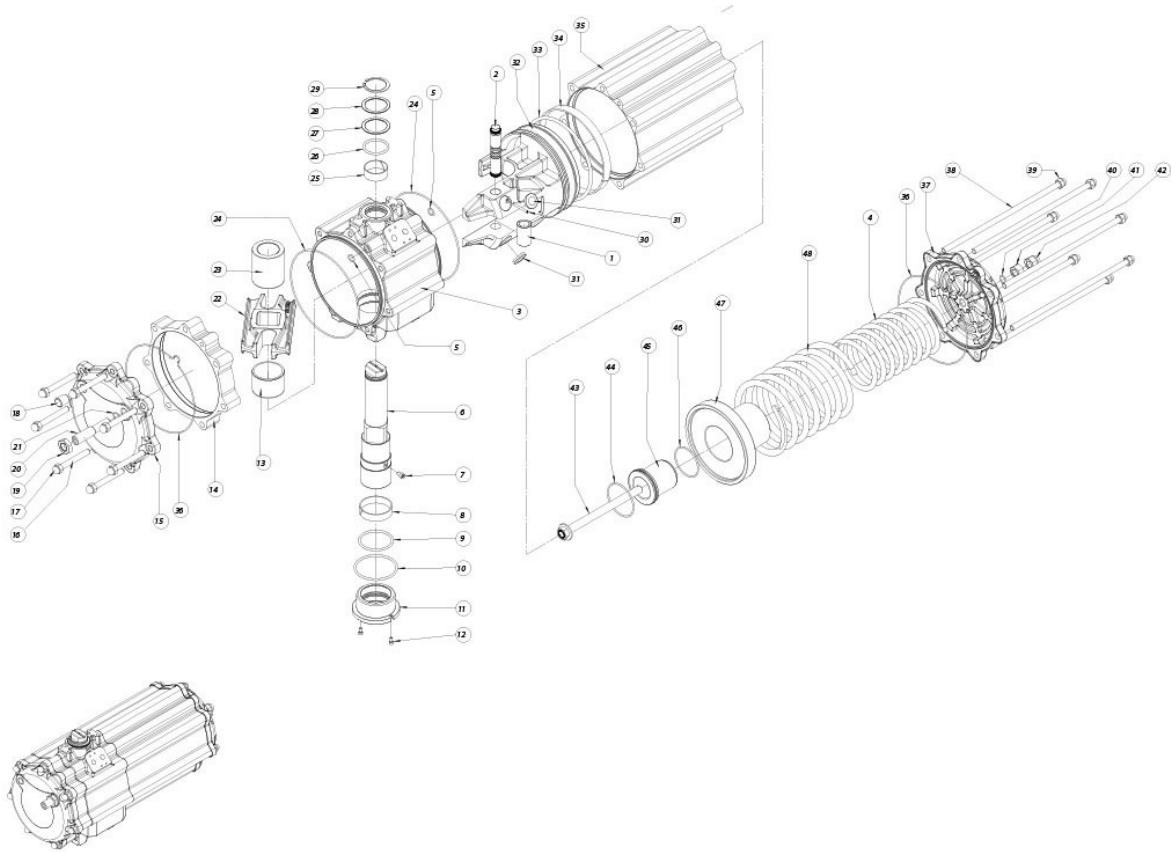
SPRING RETURN PNEUMATIC ACTUATOR COMPONENTS SIZE: SRN15-SRN960			
Pos	Denomination	Q.ty	Material
1	Cylinder	1	Aluminium alloy
2	Piston	2	Aluminium alloy
3	Cap	2	Aluminium alloy
4	Shaft	1	Stainless steel
5	Scotch yoke	1	Steel alloy
6	Support bush	1	Acetalic resin
7	Shaft support	1	Acetalic resin
8	Bush	2	Steel alloy
9	Rotative sleeve	2	Steel alloy
10*	Dynamic seal	2	Polyurethan
11*	Piston's suport	4	P.T.F.E. carbo-graphite filled
12*	O-ring	2	Nitrilic rubber
13	O-ring (upper sealing shaft)	1	FKM
14	External support ring	1	Acetalic resin
15	Ron Washer	1	Stainless steel
16	Seeger	1	Stainless steel
17	O-ring (lower sealing shaft)	1	FKM
18	Nut	2	Aluminium alloy
19*	End-cap O-ring	2	Nitrilic rubber
20	Screws	8	Stainless steel
21	Spring loading screw	2	Steel alloy
22	Spring cap	2	Steel alloy
23	Spring	2	Steel alloy
24*	O-ring	2	Nitrilic rubber
25	External elastic pin of the yoke	1	Steel alloy
26	Internal elastic pin of the yoke	1	Steel alloy
27	Centering ring (OPTIONAL)	1	Aluminium alloy

* Components of spare part kit

materials

SR1440

SPRING RETURN PNEUMATIC ACTUATOR COMPONENTS SIZE: SR1440



materials

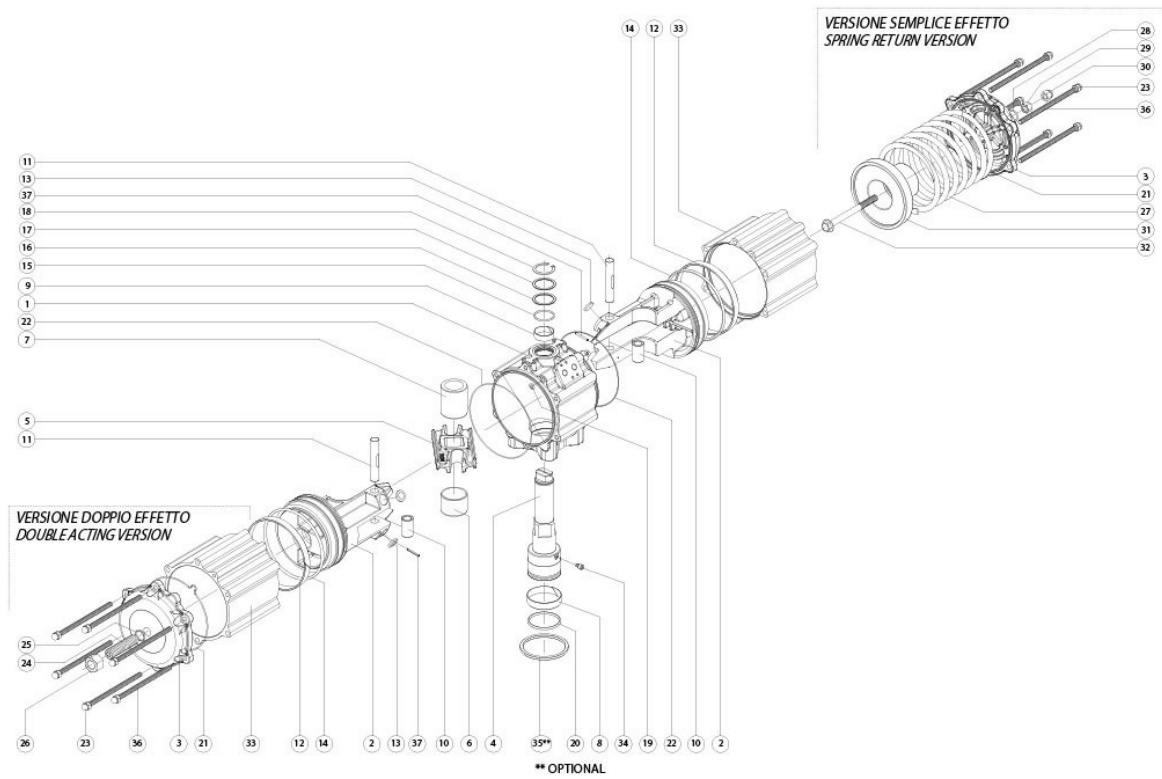
SPRING RETURN PNEUMATIC ACTUATOR COMPONENTS SIZE: SR1440

Pos	Denomination	Q.ty	Material
1	Steel bush	1	Steel alloy
2	Steel pin	1	Steel alloy
3	Body	1	Aluminium
4	Internal spring	1	Steel alloy
5*	O-ring	2	Nitrilic rubber
6	Shaft	1	Steel alloy
7	Screw	1	Steel alloy
8*	Bearing (shaft bottom)	1	P.T.F.E. carbo-graphite filled
9*	O-ring	1	FKM
10*	O-ring	1	FKM
11	Low bearing bush	1	Aluminium
12	Screw	2	Steel alloy
13	Bearing shaft	1	Acetalic resin
14	Spacer	1	Aluminium
15	Cap	1	Aluminium
16	Cap screw	7	Steel alloy
17	Cap nut	7	Steel alloy
18	Grub screw	1	Steel alloy
19	Nut	1	Steel alloy
20	Grub screw	1	Steel alloy
21*	O-ring	1	Nitrilic rubber
22	Scotch yoke	1	Steel alloy
23	Bearing shaft	1	Acetalic resin
24*	O-ring	2	Nitrilic rubber
25*	Bearing (shaft top)	1	P.T.F.E. carbo-graphite filled
26*	O-ring	1	FKM
27*	Thrust bearing	1	Acetalic resin
28	Washer	1	Steel alloy
29	Seeger	1	Steel alloy
30	Spring pin	1	Steel alloy
31*	Bearing (piston back)	2	Acetalic resin
32	Piston	1	Aluminium
33*	O-ring	1	Nitrilic rubber
34*	Bearing (piston head)	1	P.T.F.E. Carbo-Graphite filled
35	Lateral Cylinder	1	Steel alloy
36*	O-ring	2	Nitrilic rubber
37	Cap	1	Steel alloy
38	Cap screws	7	Steel alloy
39	Nut	7	Steel alloy
40*	O-ring	1	Nitrilic rubber
41	Nut	1	Steel alloy
42	Cap Nut	1	Steel alloy
43	Screw	1	Steel alloy
44	O-ring	1	Nitrilic rubber
45	Spring cap	1	Aluminium
46	O-ring	1	Nitrilic rubber
47	Spring cup	1	Aluminium
48	External spring	1	Steel alloy
* Components of spare part kit			

materials

SR1920

SPRING RETURN PNEUMATIC ACTUATOR COMPONENTS SIZE: SR1920



materials

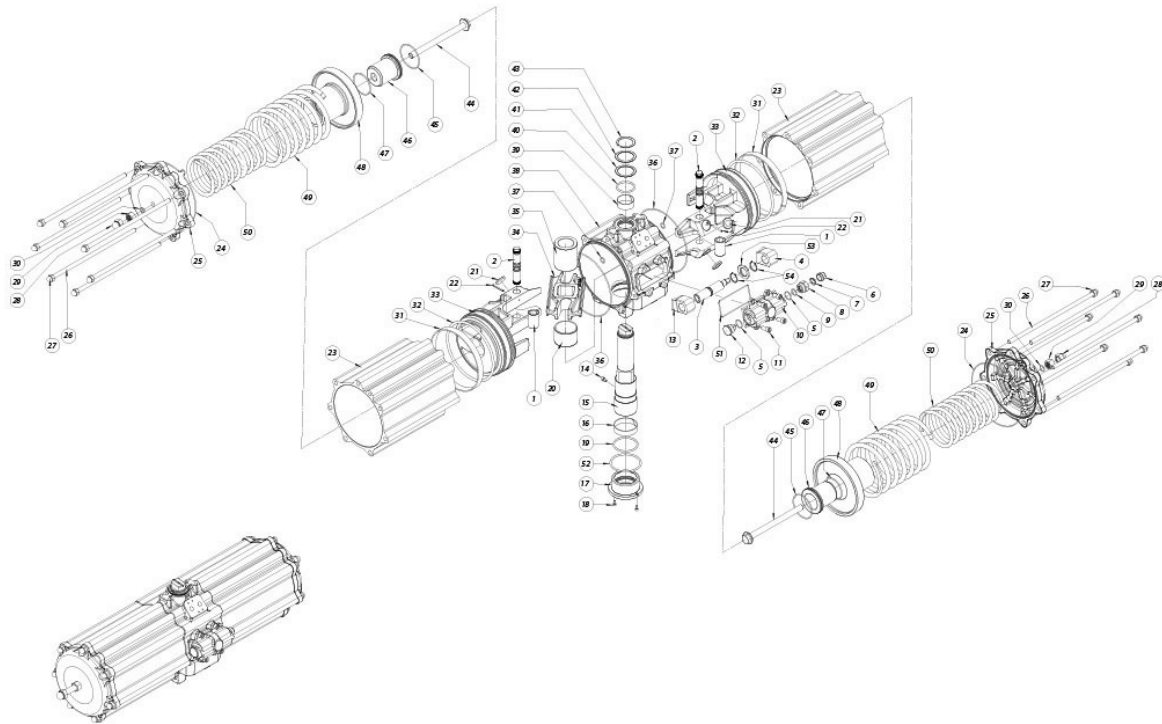
SPRING RETURN PNEUMATIC ACTUATOR COMPONENTS SIZE: SR1920

Pos	Denomination	Q.ty	Material
1	Cylinder	1	Aluminium alloy
2	Piston	2	Aluminium alloy
3	Cap	2	Aluminium alloy
4	Shaft	1	Stainless steel
5	Scotch yoke	1	Steel alloy
6	Bearing shaft	1	Acetalic resins
7	Bearing shaft	1	Acetalic resins
8	Bearing (shaft bottom)	1	P.T.F.E. carbo-graphite filled
9	Bearing (shaft top)	1	P.T.F.E. carbo-graphite filled
10	Steel bush	2	Steel alloy
11	Steel pin	2	Steel alloy
12	Bearing (piston head)	2	P.T.F.E. Carbo-Graphite filled
13*	Bearing (piston back)	4	Acetalic resins
14*	O-ring	2	Nitrilic rubber
15*	O-ring	1	FKM
16	Thrust bearing	1	Acetalic resins
17	Washer	1	Stainless steel
18	Seeger	1	Stainless steel
19*	O-ring	2	Nitrilic rubber
20*	O-ring	1	FKM
21*	O-ring	2	Nitrilic rubber
22*	O-ring	2	Nitrilic rubber
23	Cap nut	12	Stainless steel
24	Grub screws	2	Stainless steel
25*	O-ring	2	Nitrilic rubber
26	Nut	2	Stainless steel
27	Spring	4	Steel alloy
28*	O-ring	2	Nitrilic rubber
29	Nut	2	Stainless steel
30	Cap nut	2	Stainless steel
31	Spring cap	2	Aluminium alloy
32	Screw	2	Stainless steel
33	Cylinder	2	Aluminium alloy
34	Screw	1	Stainless steel
35**	Center ring (OPTIONAL)	1	Aluminium alloy
36	Cap screw	12	Steel alloy
37	Spring pin	2	Steel alloy
* Components of spare part kit			
**OPTIONAL			

materials

SR2880

SPRING RETURN PNEUMATIC ACTUATOR COMPONENTS SIZE: SR2880



materials

SPRING RETURN PNEUMATIC ACTUATOR COMPONENTS SIZE: SR2880

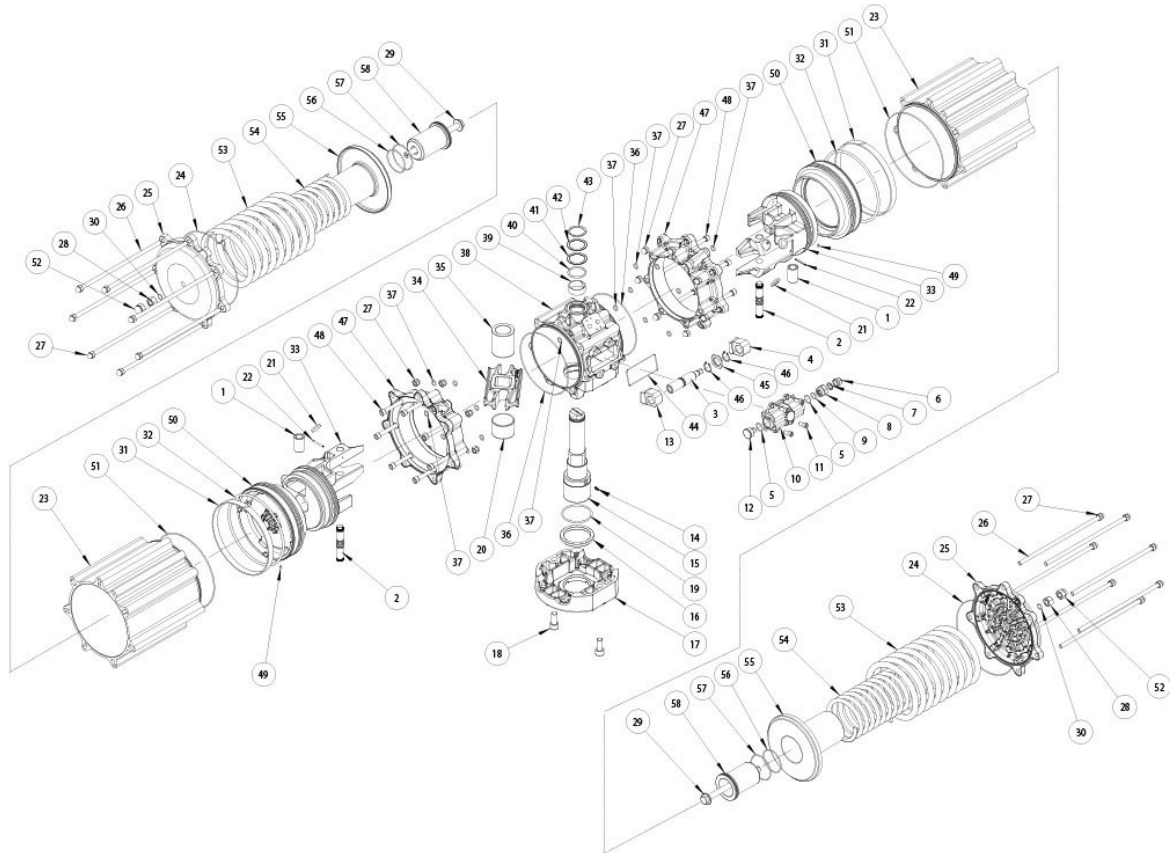
Pos	Denomination	Q.ty	Material
1	Steel bush	2	Steel alloy
2	Steel pin	2	Steel alloy
3	Adjustment screw	1	Steel alloy
4	Left stop	1	Steel alloy
5*	O-ring	2	Nitrilic rubber
6	Protection cap	1	Aluminium
7	Antirotation washer	1	Steel alloy
8	Metal ring	1	Stainless steel
9*	O-ring	1	Nitrilic rubber
10	Carter	1	Aluminium
11	Screw	4	Steel alloy
12	Metal ring	1	Stainless steel
13	Right stop	1	Steel alloy
14	Screw	1	Steel alloy
15	Shaft	1	Steel alloy
16	Bearing (shaft bottom)	1	P.T.F.E. carbo-graphite filled
17	low bearing bush	1	Aluminium
18	Screw	2	Steel alloy
19*	O-ring	1	FKM
20	Bearing shaft	1	Acetalic resins
21*	Bearing (piston back)	4	Acetalic resins
22	Spring pin	2	Steel alloy
23	Lateral cylinder	2	Aluminium
24*	O-ring	2	Nitrilic rubber
25	Cap	2	Aluminium
26	Cap screws	14	Steel alloy
27	Cap nut	14	Steel alloy
28	Cap nut	2	Steel alloy
29	Nut	2	Steel alloy
30*	O-ring	2	Nitrilic rubber
31*	Bearing (piston head)	2	P.T.F.E. Carbo-Graphite filled
32*	O-ring	2	Nitrilic rubber
33	Piston	2	Aluminium
34	Scotch yoke	1	Steel alloy
35	Bearing shaft	1	Acetalic resins
36*	O-ring	2	Nitrilic rubber
37*	O-ring	2	Nitrilic rubber
38	Body	1	Aluminium
39*	Bearing (shaft top)	1	P.T.F.E. carbo-graphite filled
40*	O-ring	1	FKM
41*	Thrust bearing	1	Acetalic resins
42	Washer	1	Steel alloy
43	Seeger	1	Steel alloy
44	Screw	2	Steel alloy
45*	O-ring	2	Nitrilic rubber
46	Spring cap	2	Aluminium
47*	O-ring	2	Nitrilic rubber
48	Spring cap	2	Aluminium
49	External spring	2	Steel alloy
50	Internal spring	2	Steel alloy
51*	Gasket	1	Nitrilic rubber
52*	O-ring	1	FKM
53	Washer	1	Steel alloy
54	Seeger	2	Steel alloy

* Components of spare part kit

materials

SR4000

SPRING RETURN PNEUMATIC ACTUATOR COMPONENTS SIZE: SR4000



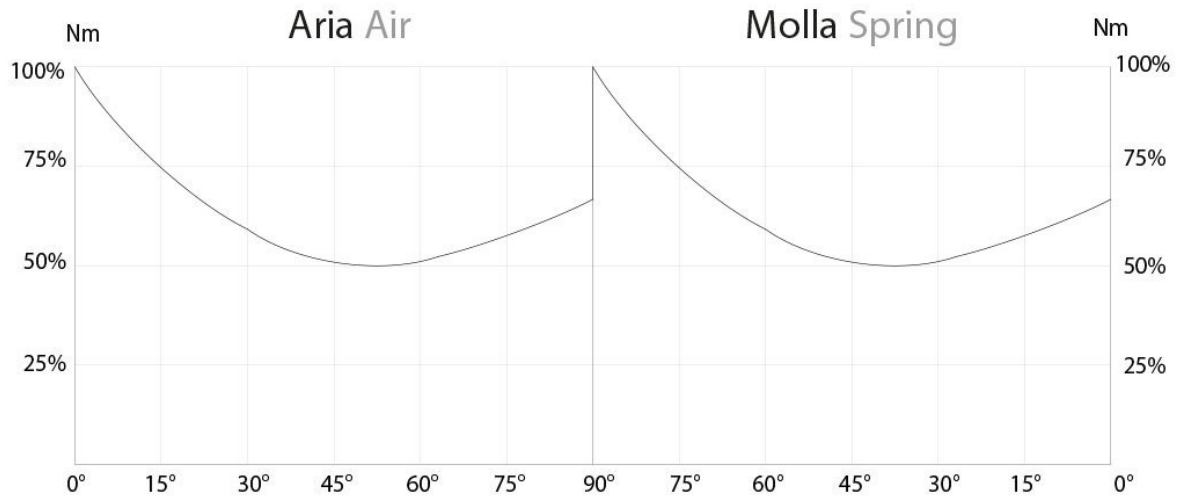
materials

SPRING RETURN PNEUMATIC ACTUATOR COMPONENTS SIZE: SR4000				
Pos	Denomination	Q.ty	Material	
1	Steel bush	2	Steel Alloy	
2	Steel pin	2	Steel Alloy	
3	Regulation screw	1	Steel Alloy	
4	Left stop	1	Steel Alloy	
5*	O-ring	2	Nitrilic rubber	
6	Protection cap	1	Aluminium	
7	Antirotation washer	1	Steel Alloy	
8	Metal ring	1	Stainless steel	
9*	O-ring	1	Nitrilic rubber	
10	Carter	1	Aluminium	
11	Screw	4	Steel Alloy	
12	Metal ring	1	Stainless steel	
13	Right stop	1	Steel Alloy	
14	Screw	1	Steel Alloy	
15	Shaft	1	Steel Alloy	
16	Bearing (shaft bottom)	1	P.T.F.E. carbo-graphite filled	
17	Interface F25	1	Aluminium	
18	Screw	2	Steel Alloy	

19*	O-ring	1	FKM
20	Bearing shaft	1	Acetalic Resins
21*	Bearing (piston back)	4	Acetalic Resins
22	Spring pin	2	Steel Alloy
23	Lateral cylinder	2	Aluminium
24*	O-ring	2	Nitrilic rubber
25	Cap	2	Aluminium
26	Cap screws	14	Steel Alloy
27	Cap nut	28	Steel Alloy
28	Nut	2	Steel Alloy
29	Screw	2	Steel Alloy
30*	O-ring	2	Nitrilic rubber
31*	Bearing (piston head)	2	P.T.F.E. Carbo-Graphite filled
32*	O-ring	2	NBR
33	Piston	2	Aluminium
34	Scotch Yoke	1	Steel alloy
35	Bearing shaft	1	Acetalic Resins
36*	O-ring	2	Nitrilic rubber
37*	O-ring	18	Nitrilic rubber
38	Body	1	Aluminium
39*	Bearing (Shaft top)	1	P.T.F.E. carbo-graphite filled
40*	O-ring	1	FKM
41*	Thrust bearing	1	Acetalic resins
42	Washer	1	Steel alloy
43	Seeger	1	Steel alloy
44*	Gasket	1	Nitrilic rubber
45	Washer	1	Steel alloy
46	Seeger	2	Steel alloy
47	Flange	2	Aluminium
48	Screw	14	Steel alloy
49	Grub screw	2	Steel alloy
50	Flange	2	Aluminium
51*	O-ring	2	Nitrilic rubber
52	Cap nut	2	Steel alloy
53	External spring	2	Steel alloy
54	Internal spring	2	Steel alloy
55	Spring cap	2	Aluminium
56	O-ring	2	Nitrilic rubber
57	O-ring	2	Nitrilic rubber
58	Spring cap	2	Aluminium
* Components of spare part kit			

diagrams and breakaway torque

Output torque diagram related to rotation angle

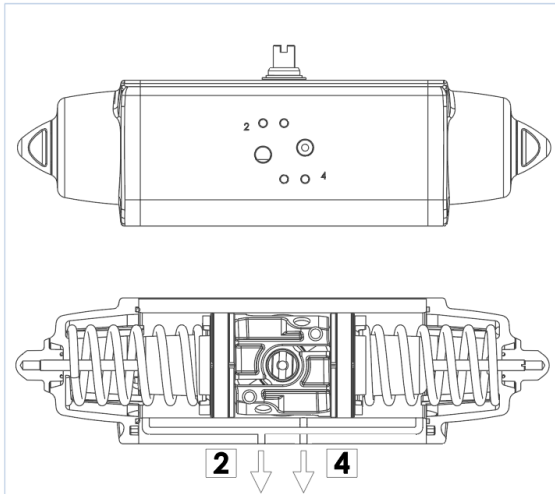


		OUTPUT TORQUE TABLE (Nm)				α° = ROTATION ANGLE			
SIZE	α°	2,8 bar ÷ 40 PSI		3,5 bar ÷ 50 PSI		4,2 bar ÷ 60 PSI		5,6 bar ÷ 80 PSI	
		air	spring	air	spring	air	spring	air	spring
SRN 15	0°	7,5	5	9,4	6,3	11,3	7,5	15	10
	50°	3,7	3,7	4,7	4,7	5,6	5,6	7,5	7,5
	90°	5	7,5	6,3	9,4	7,5	11,3	10	15
SRN 30	0°	15	10	18,8	12,5	22,5	15	30	20
	50°	7,5	7,5	9,4	9,4	11,3	11,3	15	15
	90°	10	15	12,5	18,8	15	22,5	20	30
SRN 53	0°	26,5	17,5	33	22	40	26	53	35
	50°	13	13	16,5	16,5	19,5	19,5	26	26
	90°	17,5	26,5	22	33	26	40	35	53
SRN 60	0°	30	20	37,5	25	45	30	60	40
	50°	15	15	18,8	18,8	22,5	22,5	30	30
	90°	20	30	25	37,5	30	45	40	60
SRN 90	0°	45	30	56,3	37,5	67,5	45	90	60
	50°	22,5	22,5	28,1	28,1	33,9	33,9	45	45
	90°	30	45	37,5	56,3	45	67,5	60	90
SRN 120	0°	60	40	75	50	90	60	120	80
	50°	30	30	37,5	37,5	45	45	60	60
	90°	40	60	50	75	60	90	80	120
SRN 180	0°	90	60	112,5	75	135	90	180	120
	50°	45	45	56,3	56,3	67,5	67,5	90	90
	90°	60	90	75	112,5	90	135	120	180
SRN 240	0°	120	80	150	100	180	120	240	160
	50°	60	60	75	75	90	90	120	120
	90°	80	120	100	150	120	180	160	240
SRN 360	0°	180	120	225	150	270	180	360	240
	50°	90	90	112,5	112,5	135	135	180	180
	90°	120	180	150	225	180	270	240	360
SRN 480	0°	240	160	300	200	360	240	480	320
	50°	120	120	150	150	180	180	240	240
	90°	160	240	200	300	240	360	320	480
SRN 720	0°	360	240	450	300	540	360	720	480
	50°	180	180	225	225	270	270	360	360
	90°	240	360	300	450	360	540	480	720
SRN 960	0°	480	320	600	400	720	480	960	640
	50°	240	240	300	300	360	360	480	480
	90°	320	480	400	600	480	720	640	960
SR 1440	0°	---	---	900	600	---	---	1440	960
	50°	---	---	450	450	---	---	720	720
	90°	---	---	600	900	---	---	960	1440
SR 1920	0°	960	640	1200	800	1440	960	1920	1280
	50°	480	480	600	600	720	720	960	960
	90°	640	960	800	1200	960	1440	1280	1920
SR 2880	0°	1440	960	1800	1200	2160	1440	2880	1920
	50°	720	720	900	900	1080	1080	1440	1440
	90°	960	1440	1200	1800	1440	2160	1920	2880
SR 4000	0°	2000	1333	2500	1666,3	3000	1999,5	4000	2666
	50°	1000	1000	1250	1250	1500	1500	2000	2000
	90°	1333	2000	1666,3	2500	1999,5	3000	2666	4000

specifications

WORKING PLANE PNEUMATIC ACTUATOR "SR" TYPE

SCHEMA FUNZIONAMENTO ATTUATORE PNEUMATICO AGO "SR" WORKING PLANE PNEUMATIC ACTUATOR AGO "SR" TYPE

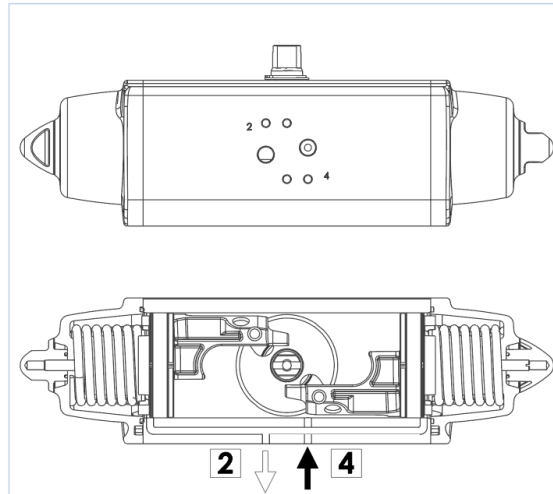


SCHEMA DI FUNZIONAMENTO

Senza pressione di alimentazione, nella versione semplice effetto, l'attuatore torna automaticamente in posizione di riposo compiendo una rotazione oraria e la posizione finale è quella rappresentata nel disegno. Sul foro 2 è consigliato montare un filtrino onde evitare che polvere o particelle solide possano entrare nella camera del cilindro senza tuttavia impedire il passaggio dell'aria.

WORKING PLANE

Without air supply, the spring return actuator returns to its resting position, rotating in a clockwise direction. The drawing shows its final position. We assembling a small filter on the air connection 2 to prevent dust and particles into the cylinder chamber without, however, preventing the passage of air.



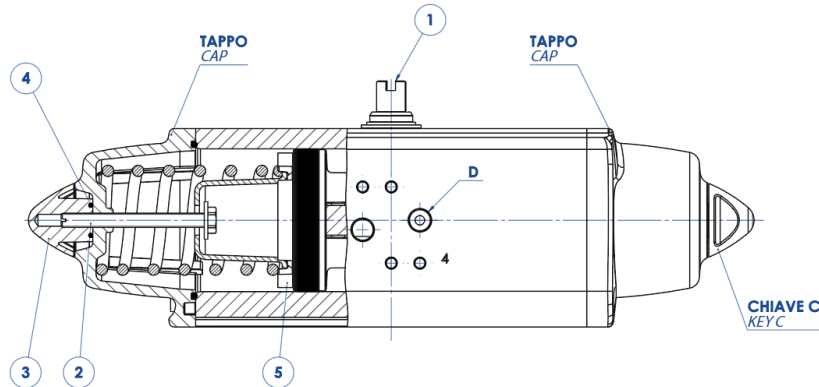
SCHEMA DI FUNZIONAMENTO

Immettendo aria nel foro 4 di alimentazione, i pistoni si muovono verso l'esterno comprimendo le molle, si ha una rotazione antioraria e la posizione finale è quella rappresentata nel disegno.

WORKING PLANE

Supplying air through the air connection 4, the pistons move outwards pressing the spring. An anticlockwise rotation takes place and the final position is shown above.

ATTUATORE REGOLABILE-ISTRUZIONI PER L' UTILIZZO ACTUATOR WITH STROKE ADJUSTMENT-INSTRUCTIONS



A) Verificare che le molle siano in posizione di riposo osservando la chiave dell'albero (part. n°1) come da disegno e controllando che nel foro "D" non ci sia pressione.

B) Togliere i controdadi (part. n°3) agendo sulla chiave C.

C) Con un cacciavite avvitare le viti (part. n°2) in senso orario ed effettuare la limitazione di corsa desiderata.

N.B. La corsa può essere limitata per un massimo di 10° da 80° a 90°

D) Immettere aria nel foro "D" e verificare che entrambe le viti (part. n°2) siano a battuta contro i pistoni (part. n°5).

E) Bloccare i controdadi (part. n°3) muniti di O-ring (part. n°4) per la tenuta tra controdado, tappo e vite.

N.B. queste spiegazioni sono indicative, per le istruzioni operative, vedere il manuale.

A) The springs must be at rest position, the shaft (part. 1) must be as shown in the drawing. Air connection D must not be supplied with air.

B) Remove the counter-nuts (part. 3), acting on C key.

C) By means of a screwdriver turn screws (part. 2) in a clockwise direction until you obtain the requested end-stroke regulation.

Note: maximum adjusting stroke 10°, ranging from 80° to 90°.

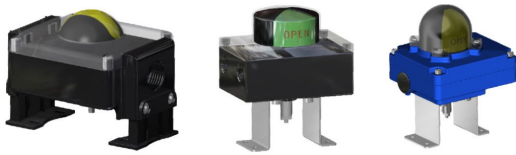
D) Supply connection D with air pressure and check that both adjusting screws (part. 2) stop the pistons (part. 5).

E) Screw the counter-nuts (part. 3) and their O-ring (part. 4) to keep nut and cap tight.

N.B. these explanations are indicative, for operating instructions, see the manual.

accessories

LIMIT SWITCH BOX



MANUAL OVERRIDE WITH HAND WHEEL



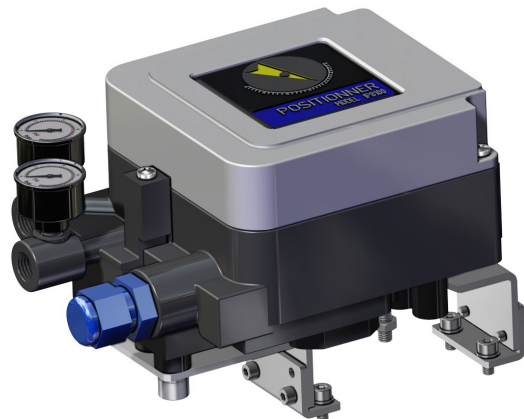
NAMUR SOLENOID VALVES



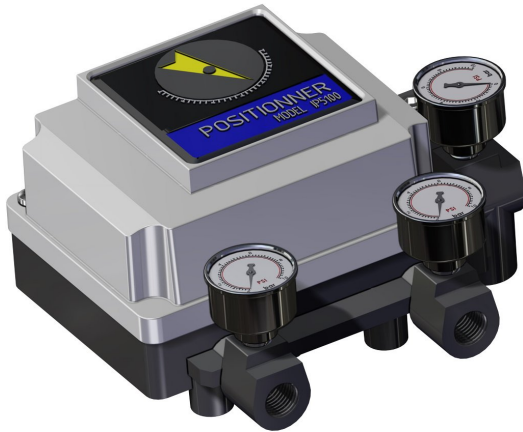
SOLENOID VALVES



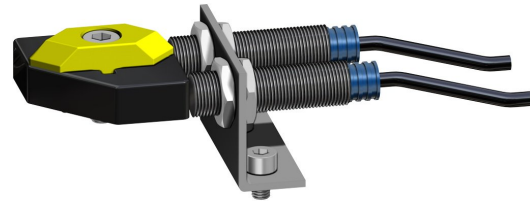
ELECTROPNEUMATIC POSITIONER (INTRINSICALLY SAFE)



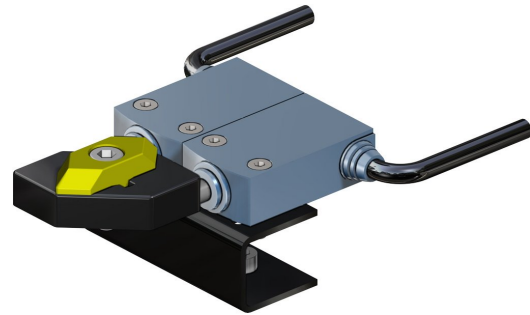
PNEUMATIC POSITIONER



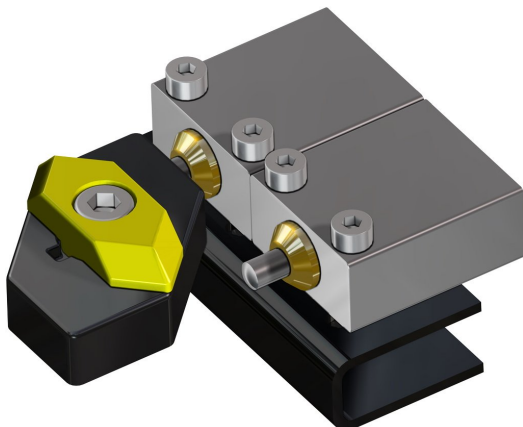
PROXIMITY LIMIT SWITCHES



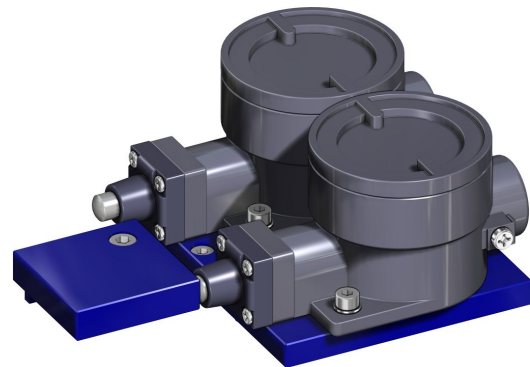
ELECTROMECHANICAL LIMIT SWITCHES



PNEUMATIC LIMIT SWITCHES



EXPLOSION PROOF LIMIT SWITCHES II2GD ExdIIC



documents

Instructions

[ATEX MANUAL UITGOG01ATX](#)
[USER MANUAL UITGOG01](#)

Manuels

1. [MANUAL DAN15-DAN1920 SRN15-SRN960 - UMAAPG00](#)
2. [MANUAL DA2880-DA8000 SR1440-SR4000 - UMA800081C](#)

Certificates

[ATEX - Pneumatic Actuators](#)
[SIL EN 61508 - Actuators: SR, SRN, DA, DAN](#)
[Type Approval Certificate for Marine and machinery systems and equipment](#)