

GD (double acting) pneumatic actuator Heavy Duty carbon steel

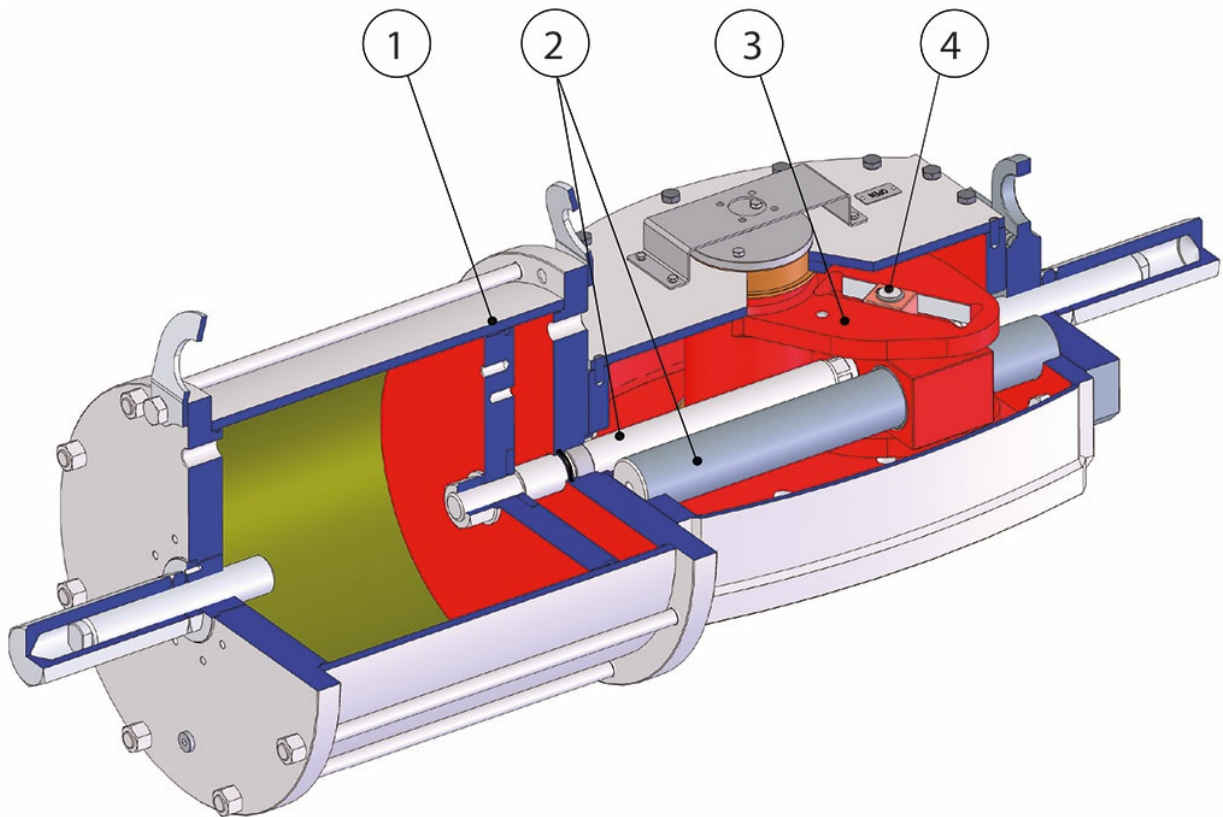
Macro Pneumatic actuators

Category Heavy Duty carbon steel actuators

Nominal torque of the actuator: from 2000 Nm to 32000 Nm



benefits



1 Energized and self-lubricated strips

Less friction between piston and cylinder

It prevents the bonding of the seal to the cylinder even after long periods of inactivity
Reduce the "stick-slip" effect

2 Slots, bushes and pins made i chromed steel with hardness about 200 HB

Higher corrosion's resistance

Less friction between stem, guide bar and sliding bushings with consequently less wear on the relevant parts

3 System motion conversion from linear to rotary separated from the piloting fluid of the actuator.

Ability to power the actuator with gases

It prevents explosive atmospheres

4 Scotch yoke system with rolling friction (conversion of linear motion to rotary system with no gears).

Reduced friction between piston and shaft with consequently less wear on the relevant parts

Empowered Break Away Torque (BTO & BTC)

Bronze bushes

They guarantee less wear than other bushings materials

ATEX Compliance

Installation is allowed in a potential explosive environment

Up to SIL 3 Certified

Guarantee of the high level of functional safety.

features

Technical Data:

Nominal Torque: from 2000 Nm up to 30.000 Nm

Flange according to DIN / ISO 5211, DIN 3337

Rotation angle: 100° (-5°, +95°).

Double adjusting +5° and -5° for each end position (0° and 90°).

Air supply pressure: from 3bar up to 8,5bar (for the Torque, see Tabs)

For Double Acting version, the torque is directly proportional to the air supply pressure of the actuator

For the Spring Return version the "return torque" (no air supply pressure in the actuator) depends only by the Spring and it's not related to the air supply pressure

Available versions: Double Acting, Spring Return Normally Closed (NC), Spring Return Normally Open (NO)

Central body versions: Scotch Yoke "Symmetrical" or Scotch Yoke "Canted"

Working Conditions:

Temperature Range: Standard version: from -20° C a up to +80° C (Seals material: NBR)

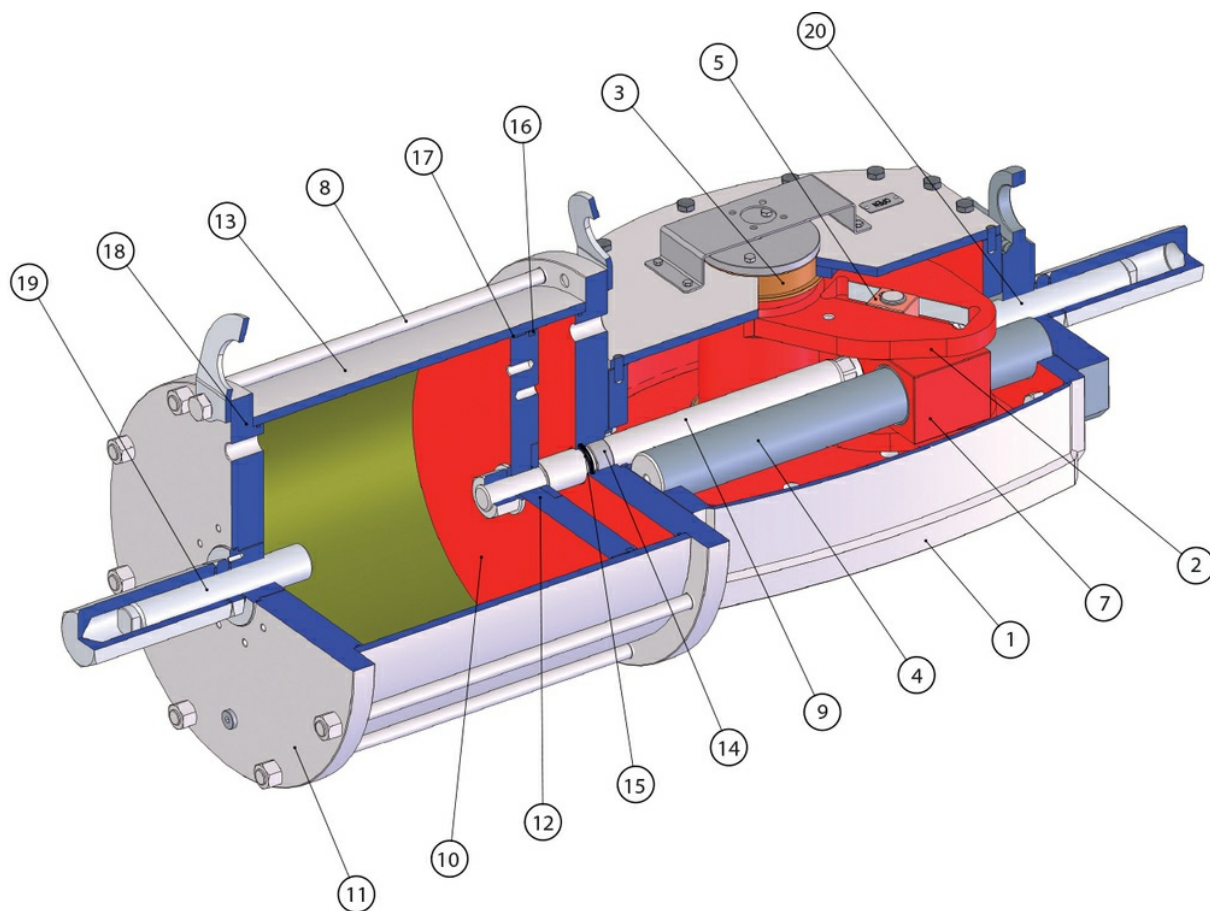
Supply Media: Filtered compressed air, not necessarily lubricated, inert gases, technical gas

For temperature lower than 0°C please use dry air

In case of lubrication use non-detergent oil compatible with the internal materials of the actuator version you are using

Design regulations:

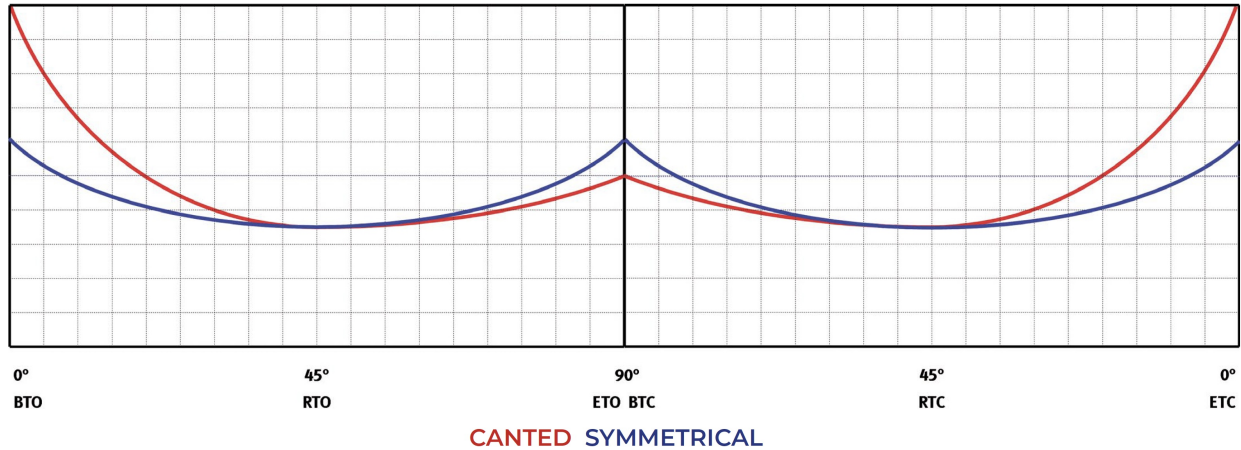
Design according to EN 15714-3, ISO 5211, ISO 12490



Pos	Description	Materials
1	Central body	Carbon steel
2	Yoke	Carbon steel
3	Yoke bushing	Bronze
4	Thrust bar	Steel Alloy (chromium plated)
5	Sliding block	Bronze
6	Vent valve (not shown)	Brass
7	Guide block	Carbon steel
8	Tie rod	Steel Alloy
9	Piston rod	Steel Alloy (chromium plated)
10	Piston	Carbon steel
11	End flange	Carbon steel
12	O-ring	Nitrilic rubber
13	Cylinder tube	Carbon steel (nickel-plated)
14	Rod bushing	Steel+bronze+PTFE
15	Seal	NBR+Polyurethane
16	O-ring	Nitrilic rubber
17	Sliding ring	PTFE + graphite
18	O-ring	Nitrilic rubber
19	Stop setting screw	Steel Alloy
20	Stop setting screw	Steel Alloy

diagrams and breakaway torque

Double Acting - Torque Table



Model Number	Max torque Nm	3 BAR CANTED Torque Output (Nm)					
		BTO	RTO	ETO	BTC	RTC	ETC
GHDP-085C-235A-D1	9.000	2.327	908	1.289	1.229	895	2.528
GHDP-085C-280A-D1	9.000	3.304	1.290	1.830	1.754	1.278	3.607
GHDP-085C-335A-D1	9.000	4.730	1.847	2.620	2.513	1.830	5.167
GHDP-085C-385A-D1	9.000	6.269	2.448	3.472	3.340	2.433	6.867
GHDP-085C-435A-D1	9.000	8.030	3.135	4.448	4.286	3.122	8.812
GHDP-100C-335A-D1	18.000	5.637	2.229	3.122	2.995	2.238	6.157
GHDP-100C-385A-D1	18.000	7.471	2.955	4.138	3.980	2.974	8.183
GHDP-100C-435A-D1	18.000	9.570	3.785	5.300	5.107	3.816	10.502
GHDP-100C-485A-D1	18.000	11.896	4.705	6.589	6.357	4.750	13.071
GHDP-100C-535A-D1	18.000	14.441	5.665	7.921	7.664	5.625	15.794
GHDP-130C-385A-D1	32.000	9.808	3.830	5.433	5.212	3.797	10.715
GHDP-130C-435A-D1	32.000	12.564	4.906	6.960	6.677	4.864	13.728
GHDP-130C-485A-D1	32.000	15.618	6.098	8.651	8.319	6.060	17.102
GHDP-130C-535A-D1	32.000	19.069	7.446	10.563	10.173	7.410	20.914
GHDP-130C-585A-D1	32.000	22.877	8.933	12.672	12.219	8.901	25.121
GHDP-130C-635A-D1	32.000	27.046	10.561	14.982	14.459	10.533	29.725

Model Number	Max torque Nm	3 BAR SYMMETRICAL Torque Output (Nm)					
		BTO	RTO	ETO	BTC	RTC	ETC
GHDP-085S-235A-D1	9.000	1.482	920	1.620	1.457	906	1.593
GHDP-085S-280A-D1	9.000	2.104	1.306	2.300	2.079	1.293	2.273
GHDP-085S-335A-D1	9.000	3.012	1.870	3.293	2.979	1.852	3.256
GHDP-085S-385A-D1	9.000	3.992	2.478	4.364	3.959	2.462	4.327
GHDP-085S-435A-D1	9.000	5.114	3.174	5.590	5.080	3.160	5.553
GHDP-100S-335A-D1	18.000	3.585	2.225	3.918	3.532	2.197	3.861
GHDP-100S-385A-D1	18.000	4.751	2.949	5.193	4.699	2.922	5.136
GHDP-100S-435A-D1	18.000	6.086	3.778	6.652	6.020	3.744	6.580
GHDP-100S-485A-D1	18.000	7.565	4.696	8.269	7.499	4.664	8.197
GHDP-100S-535A-D1	18.000	9.172	5.732	10.116	9.107	5.692	10.044
GHDP-100S-585A-D1	18.000	10.966	6.854	12.095	10.901	6.813	12.024
GHDP-130S-385A-D1	32.000	6.247	3.877	6.828	6.178	3.842	6.753
GHDP-130S-435A-D1	32.000	8.002	4.967	8.746	7.915	4.922	8.651
GHDP-130S-485A-D1	32.000	9.947	6.174	10.873	9.860	6.132	10.777
GHDP-130S-535A-D1	32.000	12.145	7.539	13.275	12.058	7.499	13.180
GHDP-130S-585A-D1	32.000	14.570	9.044	15.926	14.483	9.008	15.831
GHDP-130S-635A-D1	32.000	17.225	10.692	18.828	17.138	10.659	18.733

Model Number	Max torque Nm	3,5 BAR CANTED Torque Output (Nm)					
		BTO	RTO	ETO	BTC	RTC	ETC
GHDP-085C-235A-D1	9.000	2.725	1.064	1.509	1.439	1.048	2.960
GHDP-085C-280A-D1	9.000	3.868	1.510	2.143	2.054	1.496	4.223
GHDP-085C-335A-D1	9.000	5.537	2.162	3.067	2.942	2.143	6.049
GHDP-085C-385A-D1	9.000	7.335	2.864	4.063	3.908	2.847	8.035
GHDP-085C-435A-D1	9.000						
GHDP-100C-335A-D1	18.000	6.589	2.573	3.650	3.489	2.541	7.173
GHDP-100C-385A-D1	18.000	8.729	3.408	4.835	4.638	3.379	9.536
GHDP-100C-435A-D1	18.000	11.176	4.364	6.190	5.940	4.327	12.211
GHDP-100C-485A-D1	18.000	13.879	5.489	7.687	7.417	5.542	15.250
GHDP-100C-535A-D1	18.000						
GHDP-130C-385A-D1	32.000	11.476	4.481	6.357	6.099	4.443	12.538
GHDP-130C-435A-D1	32.000	14.694	5.737	8.139	7.809	5.689	16.055
GHDP-130C-485A-D1	32.000	18.266	7.132	10.118	9.729	7.087	20.001
GHDP-130C-535A-D1	32.000	22.290	8.704	12.347	11.891	8.662	24.447
GHDP-130C-585A-D1	32.000	26.729	10.437	14.806	14.276	10.400	29.350
GHDP-130C-635A-D1	32.000						

Model Number	Max torque Nm	3,5 BAR SYMMETRICAL Torque Output (Nm)					
		BTO	RTO	ETO	BTC	RTC	ETC
GHDP-085S-235A-D1	9.000	1.735	1.077	1.897	1.706	1.061	1.865
GHDP-085S-280A-D1	9.000	2.463	1.529	2.693	2.435	1.514	2.661
GHDP-085S-335A-D1	9.000	3.526	2.189	3.855	3.487	2.169	3.812
GHDP-085S-385A-D1	9.000	4.671	2.900	5.106	4.632	2.881	5.063
GHDP-085S-435A-D1	9.000	5.981	3.712	6.538	5.942	3.695	6.495
GHDP-100S-335A-D1	18.000	4.196	2.605	4.587	4.135	2.572	4.520
GHDP-100S-385A-D1	18.000	5.559	3.451	6.076	5.498	3.419	6.010
GHDP-100S-435A-D1	18.000	7.117	4.418	7.780	7.040	4.379	7.695
GHDP-100S-485A-D1	18.000	8.848	5.492	9.671	8.770	5.455	9.587
GHDP-100S-535A-D1	18.000	10.700	6.688	11.802	10.625	6.641	11.718
GHDP-100S-585A-D1	18.000	12.794	7.996	14.111	12.718	7.949	14.027
GHDP-130S-385A-D1	32.000	7.309	4.537	7.989	7.229	4.496	7.901
GHDP-130S-435A-D1	32.000	9.358	5.809	10.229	9.256	5.757	10.118
GHDP-130S-485A-D1	32.000	11.633	7.221	12.716	11.531	7.172	12.604
GHDP-130S-535A-D1	32.000	14.196	8.812	15.517	14.095	8.766	15.406
GHDP-130S-585A-D1	32.000	17.023	10.567	18.607	16.921	10.524	18.496
GHDP-130S-635A-D1	32.000	20.115	12.486	21.987	20.013	12.448	21.876

Model Number	Max torque Nm	4 BAR CANTED Torque Output (Nm)					
		BTO	RTO	ETO	BTC	RTC	ETC
GHDP-085C-235A-D1	9.000	3.122	1.219	1.729	1.649	1.201	3.391
GHDP-085C-280A-D1	9.000	4.432	1.730	2.455	2.353	1.714	4.839
GHDP-085C-335A-D1	9.000	6.345	2.477	3.514	3.371	2.456	6.931
GHDP-085C-385A-D1	9.000						
GHDP-085C-435A-D1	9.000						
GHDP-100C-335A-D1	18.000	7.561	2.990	4.188	4.017	3.001	8.259
GHDP-100C-385A-D1	18.000	10.012	3.959	5.545	5.334	3.985	10.967
GHDP-100C-435A-D1	18.000	12.813	5.068	7.097	6.839	5.110	14.062
GHDP-100C-485A-D1	18.000	15.928	6.299	8.822	8.512	6.360	17.503
GHDP-100C-535A-D1	18.000						
GHDP-130C-385A-D1	32.000	13.145	5.132	7.281	6.985	5.089	14.361
GHDP-130C-435A-D1	32.000	16.823	6.569	9.319	8.941	6.513	18.383
GHDP-130C-485A-D1	32.000	20.913	8.166	11.584	11.139	8.114	22.900
GHDP-130C-535A-D1	32.000	25.512	9.962	14.132	13.610	9.914	27.980
GHDP-130C-585A-D1	32.000						
GHDP-130C-635A-D1	32.000						

Model Number	Max torque Nm	4 BAR SYMMETRICAL Torque Output (Nm)					
		BTO	RTO	ETO	BTC	RTC	ETC
GHDP-085S-235A-D1	9.000	1.988	1.234	2.173	1.955	1.216	2.137
GHDP-085S-280A-D1	9.000	2.823	1.752	3.085	2.790	1.735	3.049
GHDP-085S-335A-D1	9.000	4.041	2.508	4.417	3.996	2.485	4.368
GHDP-085S-385A-D1	9.000	5.350	3.321	5.848	5.305	3.300	5.799
GHDP-085S-435A-D1	9.000	6.848	4.251	7.485	6.803	4.231	7.436
GHDP-100S-335A-D1	18.000	4.808	2.985	5.256	4.739	2.947	5.180
GHDP-100S-385A-D1	18.000	6.367	3.952	6.960	6.297	3.917	6.883
GHDP-100S-435A-D1	18.000	8.149	5.058	8.907	8.061	5.013	8.811
GHDP-100S-485A-D1	18.000	10.130	6.288	11.073	10.042	6.246	10.976
GHDP-100S-535A-D1	18.000	12.229	7.643	13.488	12.143	7.589	13.392
GHDP-100S-585A-D1	18.000	14.622	9.139	16.127	14.535	9.085	16.031
GHDP-130S-385A-D1	32.000	8.371	5.196	9.150	8.280	5.150	9.050
GHDP-130S-435A-D1	32.000	10.714	6.651	11.711	10.598	6.592	11.584
GHDP-130S-485A-D1	32.000	13.319	8.268	14.558	13.203	8.212	14.431
GHDP-130S-535A-D1	32.000	16.248	10.086	17.760	16.132	10.033	17.633
GHDP-130S-585A-D1	32.000	19.476	12.089	21.288	19.360	12.041	21.161
GHDP-130S-635A-D1	32.000	23.005	14.280	25.146	22.889	14.236	25.019

Model Number	Max torque Nm	4,5 BAR CANTED Torque Output (Nm)					
		BTO	RTO	ETO	BTC	RTC	ETC
GHDP-085C-235A-D1	9.000	3.553	1.394	1.949	1.857	1.363	3.826
GHDP-085C-280A-D1	9.000	5.044	1.978	2.766	2.653	1.947	5.468
GHDP-085C-335A-D1	9.000	7.220	2.832	3.960	3.816	2.801	7.865
GHDP-085C-385A-D1	9.000						
GHDP-085C-435A-D1	9.000						
GHDP-100C-335A-D1	18.000	8.493	3.332	4.659	4.490	3.295	9.253
GHDP-100C-385A-D1	18.000	11.218	4.400	6.153	5.946	4.364	12.254
GHDP-100C-435A-D1	18.000	14.321	5.618	7.855	7.572	5.557	15.605
GHDP-100C-485A-D1	18.000						
GHDP-100C-535A-D1	18.000						
GHDP-130C-385A-D1	32.000	14.833	5.792	8.216	7.883	5.742	16.206
GHDP-130C-435A-D1	32.000	18.974	7.409	10.510	10.085	7.347	20.733
GHDP-130C-485A-D1	32.000	23.586	9.210	13.065	12.563	9.152	25.829
GHDP-130C-535A-D1	32.000	28.701	11.207	15.899	15.311	11.153	31.478
GHDP-130C-585A-D1	32.000						
GHDP-130C-635A-D1	32.000						

Model Number	Max torque Nm	4,5 BAR SYMMETRICAL Torque Output (Nm)					
		BTO	RTO	ETO	BTC	RTC	ETC
GHDP-085S-235A-D1	9.000	2.256	1.410	2.489	2.206	1.379	2.433
GHDP-085S-280A-D1	9.000	3.203	2.002	3.533	3.153	1.971	3.478
GHDP-085S-335A-D1	9.000	4.585	2.866	5.057	4.535	2.834	5.002
GHDP-085S-385A-D1	9.000	6.056	3.785	6.679	6.006	3.754	6.624
GHDP-085S-435A-D1	9.000	7.731	4.832	8.527	7.681	4.801	8.472
GHDP-100S-335A-D1	18.000	5.394	3.371	5.949	5.335	3.335	5.885
GHDP-100S-385A-D1	18.000	7.125	4.453	7.858	7.066	4.416	7.793
GHDP-100S-435A-D1	18.000	9.095	5.685	10.032	8.998	5.624	9.924
GHDP-100S-485A-D1	18.000	11.306	7.067	12.470	11.209	7.006	12.363
GHDP-100S-535A-D1	18.000	13.758	8.599	15.174	13.660	8.538	15.067
GHDP-100S-585A-D1	18.000						
GHDP-130S-385A-D1	32.000	9.446	5.864	10.326	9.344	5.811	10.213
GHDP-130S-435A-D1	32.000	12.084	7.501	13.208	11.954	7.435	13.066
GHDP-130S-485A-D1	32.000	15.022	9.325	16.420	14.891	9.262	16.277
GHDP-130S-535A-D1	32.000	18.316	11.370	20.021	18.185	11.310	19.877
GHDP-130S-585A-D1	32.000	21.944	13.622	23.986	21.813	13.567	23.843
GHDP-130S-635A-D1	32.000	25.907	16.081	28.318	25.776	16.032	28.175

Model Number	Max torque Nm	5 BAR CANTED Torque Output (Nm)					
		BTO	RTO	ETO	BTC	RTC	ETC
GHDP-085C-235A-D1	9.000	3.916	1.529	2.169	2.069	1.507	4.255
GHDP-085C-280A-D1	9.000	5.560	2.171	3.080	2.953	2.151	6.070
GHDP-085C-335A-D1	9.000	7.959	3.108	4.409	4.229	3.081	8.695
GHDP-085C-385A-D1	9.000						
GHDP-085C-435A-D1	9.000						
GHDP-100C-335A-D1	18.000	9.471	3.698	5.246	5.015	3.653	10.311
GHDP-100C-385A-D1	18.000	12.535	4.894	6.943	6.662	4.853	13.696
GHDP-100C-435A-D1	18.000	15.994	6.245	8.860	8.501	6.193	17.476
GHDP-100C-485A-D1	18.000						
GHDP-100C-535A-D1	18.000						
GHDP-130C-385A-D1	32.000	16.481	6.435	9.129	8.759	6.380	18.007
GHDP-130C-435A-D1	32.000	21.082	8.232	11.678	11.205	8.163	23.037
GHDP-130C-485A-D1	32.000	26.207	10.233	14.517	13.959	10.169	28.699
GHDP-130C-535A-D1	32.000						
GHDP-130C-585A-D1	32.000						
GHDP-130C-635A-D1	32.000						

Model Number	Max torque Nm	5 BAR SYMMETRICAL Torque Output (Nm)					
		BTO	RTO	ETO	BTC	RTC	ETC
GHDP-085S-235A-D1	9.000	2.494	1.548	2.726	2.453	1.525	2.681
GHDP-085S-280A-D1	9.000	3.541	2.198	3.870	3.500	2.177	3.825
GHDP-085S-335A-D1	9.000	5.069	3.146	5.541	5.013	3.118	5.479
GHDP-085S-385A-D1	9.000	6.708	4.164	7.333	6.652	4.137	7.271
GHDP-085S-435A-D1	9.000						
GHDP-100S-335A-D1	18.000	6.032	3.744	6.593	5.945	3.697	6.498
GHDP-100S-385A-D1	18.000	7.983	4.955	8.726	7.896	4.911	8.631
GHDP-100S-435A-D1	18.000	10.212	6.339	11.163	10.102	6.283	11.042
GHDP-100S-485A-D1	18.000	12.695	7.880	13.876	12.584	7.827	13.756
GHDP-100S-535A-D1	18.000	15.286	9.554	16.860	15.178	9.486	16.741
GHDP-100S-585A-D1	18.000						
GHDP-130S-385A-D1	32.000	10.496	6.515	11.473	10.382	6.457	11.348
GHDP-130S-435A-D1	32.000	13.427	8.334	14.676	13.282	8.261	14.518
GHDP-130S-485A-D1	32.000	16.691	10.361	18.244	16.546	10.291	18.086
GHDP-130S-535A-D1	32.000	20.351	12.633	22.245	20.206	12.567	22.086
GHDP-130S-585A-D1	32.000	24.382	15.135	26.651	24.237	15.074	26.492
GHDP-130S-635A-D1	32.000	28.785	17.868	31.464	28.640	17.813	31.306

Model Number	Max torque Nm	5,5 BAR CANTED Torque Output (Nm)					
		BTO	RTO	ETO	BTC	RTC	ETC
GHDP-085C-235A-D1	9.000	4.342	1.703	2.382	2.269	1.665	4.677
GHDP-085C-280A-D1	9.000	6.164	2.418	3.381	3.243	2.380	6.684
GHDP-085C-335A-D1	9.000						
GHDP-085C-385A-D1	9.000						
GHDP-085C-435A-D1	9.000						
GHDP-100C-335A-D1	18.000	10.381	4.072	5.694	5.487	4.028	11.309
GHDP-100C-385A-D1	18.000	13.711	5.378	7.521	7.267	5.334	14.977
GHDP-100C-435A-D1	18.000						
GHDP-100C-485A-D1	18.000						
GHDP-100C-535A-D1	18.000						
GHDP-130C-385A-D1	32.000	18.149	7.087	10.053	9.645	7.026	19.830
GHDP-130C-435A-D1	32.000	23.212	9.063	12.858	12.337	8.987	25.364
GHDP-130C-485A-D1	32.000	28.855	11.267	15.984	15.370	11.196	31.598
GHDP-130C-535A-D1	32.000						
GHDP-130C-585A-D1	32.000						
GHDP-130C-635A-D1	32.000						

Model Number	Max torque Nm	5,5 BAR SYMMETRICAL Torque Output (Nm)					
		BTO	RTO	ETO	BTC	RTC	ETC
GHDP-085S-235A-D1	9.000	2.747	1.705	3.003	2.702	1.680	2.953
GHDP-085S-280A-D1	9.000	3.900	2.421	4.263	3.855	2.397	4.213
GHDP-085S-335A-D1	9.000	5.583	3.465	6.102	5.521	3.434	6.035
GHDP-085S-385A-D1	9.000	7.388	4.586	8.075	7.326	4.556	8.008
GHDP-085S-435A-D1	9.000						
GHDP-100S-335A-D1	18.000	6.644	4.124	7.262	6.548	4.072	7.157
GHDP-100S-385A-D1	18.000	8.791	5.457	9.609	8.695	5.408	9.505
GHDP-100S-435A-D1	18.000	11.244	6.979	12.290	11.122	6.918	12.157
GHDP-100S-485A-D1	18.000						
GHDP-100S-535A-D1	18.000						
GHDP-100S-585A-D1	18.000						
GHDP-130S-385A-D1	32.000	11.559	7.175	12.634	11.432	7.111	12.496
GHDP-130S-435A-D1	32.000	14.783	9.176	16.159	14.623	9.095	15.984
GHDP-130S-485A-D1	32.000	18.377	11.407	20.087	18.217	11.330	19.913
GHDP-130S-535A-D1	32.000	22.402	13.906	24.487	22.243	13.834	24.313
GHDP-130S-585A-D1	32.000	26.835	16.657	29.332	26.675	16.591	29.157
GHDP-130S-635A-D1	32.000						

Model Number	Max torque Nm	6 BAR CANTED Torque Output (Nm)					
		BTO	RTO	ETO	BTC	RTC	ETC
GHDP-085C-235A-D1	9.000	4.711	1.839	2.609	2.489	1.813	5.118
GHDP-085C-280A-D1	9.000	6.688	2.611	3.704	3.552	2.587	7.302
GHDP-085C-335A-D1	9.000						
GHDP-085C-385A-D1	9.000						
GHDP-085C-435A-D1	9.000						
GHDP-100C-335A-D1	18.000	11.393	4.448	6.311	6.033	4.395	12.403
GHDP-100C-385A-D1	18.000	15.042	5.873	8.332	7.994	5.824	16.435
GHDP-100C-435A-D1	18.000						
GHDP-100C-485A-D1	18.000						
GHDP-100C-535A-D1	18.000						
GHDP-130C-385A-D1	32.000	19.817	7.738	10.977	10.532	7.672	21.653
GHDP-130C-435A-D1	32.000	25.341	9.895	14.038	13.470	9.812	27.692
GHDP-130C-485A-D1	32.000						
GHDP-130C-535A-D1	32.000						
GHDP-130C-585A-D1	32.000						
GHDP-130C-635A-D1	32.000						

Model Number	Max torque Nm	6 BAR SYMMETRICAL Torque Output (Nm)					
		BTO	RTO	ETO	BTC	RTC	ETC
GHDP-085S-235A-D1	9.000	3.000	1.862	3.279	2.951	1.835	3.225
GHDP-085S-280A-D1	9.000	4.259	2.644	4.656	4.210	2.618	4.602
GHDP-085S-335A-D1	9.000	6.097	3.785	6.664	6.030	3.750	6.591
GHDP-085S-385A-D1	9.000						
GHDP-085S-435A-D1	9.000						
GHDP-100S-335A-D1	18.000	7.256	4.504	7.931	7.151	4.447	7.816
GHDP-100S-385A-D1	18.000	9.599	5.959	10.493	9.495	5.905	10.378
GHDP-100S-435A-D1	18.000	12.275	7.620	13.418	12.143	7.552	13.273
GHDP-100S-485A-D1	18.000						
GHDP-100S-535A-D1	18.000						
GHDP-100S-585A-D1	18.000						
GHDP-130S-385A-D1	32.000	12.621	7.834	13.796	12.483	7.764	13.645
GHDP-130S-435A-D1	32.000	16.139	10.018	17.641	15.965	9.930	17.451
GHDP-130S-485A-D1	32.000	20.063	12.454	21.930	19.889	12.370	21.740
GHDP-130S-535A-D1	32.000	24.454	15.180	26.730	24.280	15.101	26.539
GHDP-130S-585A-D1	32.000	29.288	18.180	32.013	29.113	18.108	31.823
GHDP-130S-635A-D1	32.000						

Model Number	Max torque Nm	7 BAR CANTED Torque Output (Nm)					
		BTO	RTO	ETO	BTC	RTC	ETC
GHDP-085C-235A-D1	9.000	5.505	2.149	3.049	2.909	2.119	5.981
GHDP-085C-280A-D1	9.000	7.816	3.052	4.329	4.151	3.024	8.534
GHDP-085C-335A-D1	9.000						
GHDP-085C-385A-D1	9.000						
GHDP-085C-435A-D1	9.000						
GHDP-100C-335A-D1	18.000	13.333	5.273	7.384	7.084	5.293	14.566
GHDP-100C-385A-D1	18.000						
GHDP-100C-435A-D1	18.000						
GHDP-100C-485A-D1	18.000						
GHDP-100C-535A-D1	18.000						
GHDP-130C-385A-D1	32.000	23.154	9.041	12.826	12.305	8.964	25.298
GHDP-130C-435A-D1	32.000	29.601	11.558	16.397	15.734	11.461	32.346
GHDP-130C-485A-D1	32.000						
GHDP-130C-535A-D1	32.000						
GHDP-130C-585A-D1	32.000						
GHDP-130C-635A-D1	32.000						

Model Number	Max torque Nm	7 BAR SYMMETRICAL Torque Output (Nm)					
		BTO	RTO	ETO	BTC	RTC	ETC
GHDP-085S-235A-D1	9.000	3.506	2.176	3.832	3.448	2.145	3.769
GHDP-085S-280A-D1	9.000	4.978	3.090	5.441	4.920	3.060	5.378
GHDP-085S-335A-D1	9.000	7.125	4.423	7.788	7.047	4.383	7.703
GHDP-085S-385A-D1	9.000						
GHDP-085S-435A-D1	9.000						
GHDP-100S-335A-D1	18.000	8.479	5.263	9.268	8.357	5.198	9.135
GHDP-100S-385A-D1	18.000	11.215	6.962	12.259	11.093	6.900	12.126
GHDP-100S-435A-D1	18.000	14.148	8.843	15.605	13.997	8.748	15.438
GHDP-100S-485A-D1	18.000						
GHDP-100S-535A-D1	18.000						
GHDP-100S-585A-D1	18.000						
GHDP-130S-385A-D1	32.000	14.746	9.153	16.118	14.585	9.072	15.943
GHDP-130S-435A-D1	32.000	18.852	11.702	20.606	18.649	11.599	20.384
GHDP-130S-485A-D1	32.000	23.435	14.547	25.616	23.232	14.449	25.394
GHDP-130S-535A-D1	32.000	28.557	17.727	31.215	28.354	17.635	30.993
GHDP-130S-585A-D1	32.000						
GHDP-130S-635A-D1	32.000						

Model Number	Max torque Nm	8,5 BAR CANTED Torque Output (Nm)					
		BTO	RTO	ETO	BTC	RTC	ETC
GHDP-085C-235A-D1	9.000	6.697	2.615	3.710	3.539	2.578	7.276
GHDP-085C-280A-D1	9.000						
GHDP-085C-335A-D1	9.000						
GHDP-085C-385A-D1	9.000						
GHDP-085C-435A-D1	9.000						
GHDP-100C-335A-D1	18.000	16.190	6.403	8.966	8.602	6.427	17.687
GHDP-100C-385A-D1	18.000						
GHDP-100C-435A-D1	18.000						
GHDP-100C-485A-D1	18.000						
GHDP-100C-535A-D1	18.000						
GHDP-130C-385A-D1	32.000	28.158	10.995	15.598	14.965	10.902	30.767
GHDP-130C-435A-D1	32.000						
GHDP-130C-485A-D1	32.000						
GHDP-130C-535A-D1	32.000						
GHDP-130C-585A-D1	32.000						
GHDP-130C-635A-D1	32.000						

Model Number	Max torque Nm	8,5 BAR SYMMETRICAL Torque Output (Nm)					
		BTO	RTO	ETO	BTC	RTC	ETC
GHDP-085S-235A-D1	9.000	4.265	2.647	4.662	4.195	2.609	4.585
GHDP-085S-280A-D1	9.000	6.055	3.758	6.619	5.985	3.722	6.542
GHDP-085S-335A-D1	9.000						
GHDP-085S-385A-D1	9.000						
GHDP-085S-435A-D1	9.000						
GHDP-100S-335A-D1	18.000	10.315	6.403	11.274	10.166	6.323	11.112
GHDP-100S-385A-D1	18.000	13.458	8.411	14.843	13.346	8.342	14.720
GHDP-100S-435A-D1	18.000						
GHDP-100S-485A-D1	18.000						
GHDP-100S-535A-D1	18.000						
GHDP-100S-585A-D1	18.000						
GHDP-130S-385A-D1	32.000	17.933	11.132	19.602	17.738	11.033	19.389
GHDP-130S-435A-D1	32.000	22.921	14.228	25.054	22.674	14.103	24.784
GHDP-130S-485A-D1	32.000	28.493	17.687	31.145	28.246	17.568	30.875
GHDP-130S-535A-D1	32.000						
GHDP-130S-585A-D1	32.000						
GHDP-130S-635A-D1	32.000						

specifications

ACTUATECH STANDARD PAINT SPECIFICATION

The Painting of the Heavy Duty Actuators (Standard ACTUATECH), mentioned in the Tab, allows the outdoor installation of the actuators; chemical plants, gas pipelines, refineries and Off-Shore applications. On request are available painting cycles according to customer's specifications

SURFACE PREPARATION		SANDBLASTING TO GRADE SA 2.1/2
Coat	Type of paint	DRY FILM THICKNESS
Primer coat	Inorganic zinc primer	75 μ
Intermediate coat	Epoxy	110 μ
Final coat	Polyurethan	40 μ
TOTAL DRY FILM THICKNESS		225 μ
Standard paint: RAL 5010		

CENTRAL BODY - AVAILABLE CONFIGURATION

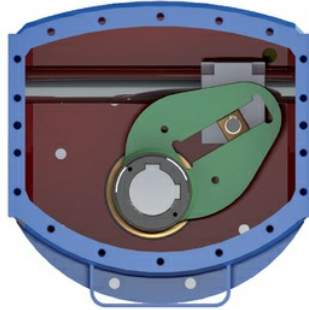
Canted design

Very high Break to Open Torque, with a huge drop during the final step of the opening operation (ETO). Break to Close Torque much lower than the Break to Open Torque.

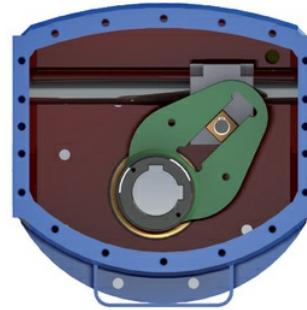
Symmetrical design

The curve of the Torque is more balanced; the BTO (break to open) – ETO (end to open) – BTC (break to close) – ETC (end to close) values are similar.

DESIGN ASIMMETRICO
CANTED DESIGN



DESIGN SIMMETRICO
SYMMETRICAL DESIGN



accessories

For more information check the ACTUATECH Accessories Catalogue.

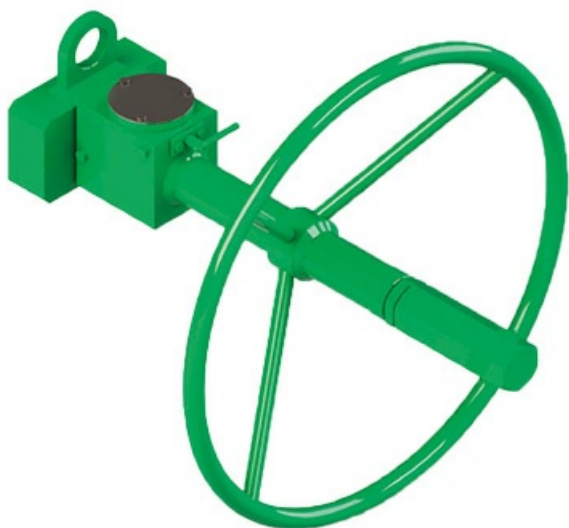
Compact pump
Hydraulic cylinder
Oil tank
Check valve
Relief valve

MANUAL HYDRAULIC OVERRIDE

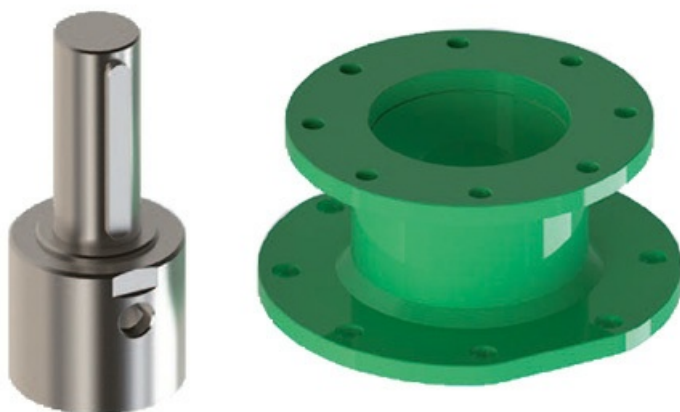


Per attuatore doppio effetto
For double acting actuator

MANUAL HANDWHEEL OVERRIDE DECLUTCHABLE FOR DOUBLE ACTING ACTUATOR (only for versions with 085 body)

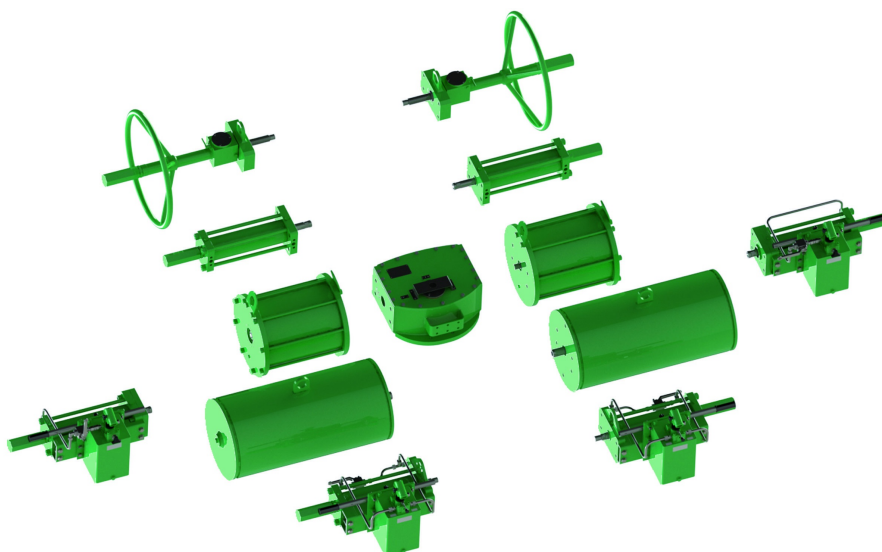


Spool piece – Stem extension



The actuator design has taken into consideration mounting pad connections conforming to the latest international standards for easy and direct assemblage onto valves and ancillaries. Actuatech completes its service with customized mounting kits, spool piece and stem extension.

Modular Construction Design



Heavy Duty Actuatech actuators modular design ensures a complete versatility application. Modular construction allows assembling the components according with the application requirements.

documents

Catalogs

[ATTUATORI HEAVY DUTY](#)

Manuals

[MANUALE GHDP CON COMANDO MANUALE](#)
[MANUALE GHDP CON COMANDO IDRAULICO](#)
[MANUALE GHDP DOPPIO EFFETTO](#)

Certificates

[IP66M-IP67M CERTIFICATE](#)
[SIL CERTIFICATE GHDP](#)

Instructions

[8_1165 Attuatori Heavy Duty - istruzioni ATEX](#)