



Warning: filectime(): stat failed for /var/www/vhost/www.omal.it/htdocs/https://www.omal.it./FilesProdotti/TA-LUFT.pdf in /var/www/vhost/www.omal.it/htdocs/prodotto-printable.php on line 65

Warning: filectime(): stat failed for /var/www/vhost/www.omal.it/htdocs/https://www.omal.it./FilesProdotti/RICEVUTADEPOSITOF.T.ATEXN.VS-19.pdf in /var/www/vhost/www.omal.it/htdocs/prodotto-printable.php on line 65

Warning: filectime(): stat failed for /var/www/vhost/www.omal.it/htdocs/https://www.omal.it./FilesProdotti/Certificate-202053402-OMAL-ValvoleMagnum-Thor-new.pdf in /var/www/vhost/www.omal.it/htdocs/prodotto-printable.php on line 65

Warning: filectime(): stat failed for /var/www/vhost/www.omal.it/htdocs/https://www.omal.it./FilesProdotti/FG-063579-647FUGITIVEEMISSIONDN25CL.600TI-M4.pdf in /var/www/vhost/www.omal.it/htdocs/prodotto-printable.php on line 65

Warning: filectime(): stat failed for /var/www/vhost/www.omal.it/htdocs/https://www.omal.it./FilesProdotti/Cert.C539822.pdf in /var/www/vhost/www.omal.it/htdocs/prodotto-printable.php on line 65

Warning: filectime(): stat failed for /var/www/vhost/www.omal.it/htdocs/https://www.omal.it./FilesProdotti/80486-ValvoleasferaATEX-IT-EN.pdf in /var/www/vhost/www.omal.it/htdocs/prodotto-printable.php on line 65

Warning: filectime(): stat failed for /var/www/vhost/www.omal.it/htdocs/https://www.omal.it./FilesProdotti/UMAH1000-IT-01-21.pdf in /var/www/vhost/www.omal.it/htdocs/prodotto-printable.php on line 65

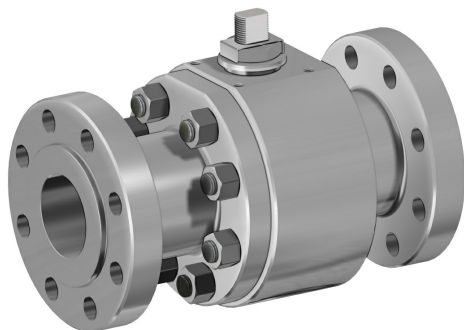
Warning: filectime(): stat failed for /var/www/vhost/www.omal.it/htdocs/https://www.omal.it./FilesProdotti/80844-36-ValvoleasferaThorSplitBodyTIPN63-100-IT-EN-DE-ES-0522.pdf in /var/www/vhost/www.omal.it/htdocs/prodotto-printable.php on line 65

Warning: filectime(): stat failed for /var/www/vhost/www.omal.it/htdocs/https://www.omal.it./PdfProdotti/029/Certificati/FIRE SAFE DN 15-100/Thor Split Body - PN 63-100 ANSI 600 in acciaio inox - FIRE SAFE DN15-100.pdf in /var/www/vhost/www.omal.it/htdocs/prodotto-printable.php on line 65

Warning: filectime(): stat failed for /var/www/vhost/www.omal.it/htdocs/https://www.omal.it./FilesProdotti/Certificate6D-1007.pdf in /var/www/vhost/www.omal.it/htdocs/prodotto-printable.php on line 65

Warning: filectime(): stat failed for /var/www/vhost/www.omal.it/htdocs/https://www.omal.it./FilesProdotti/UKCA-PER-H.pdf in /var/www/vhost/www.omal.it/htdocs/prodotto-printable.php on line 65

THOR Split Body PN 63-100 ANSI 600 stainless steel ball valve



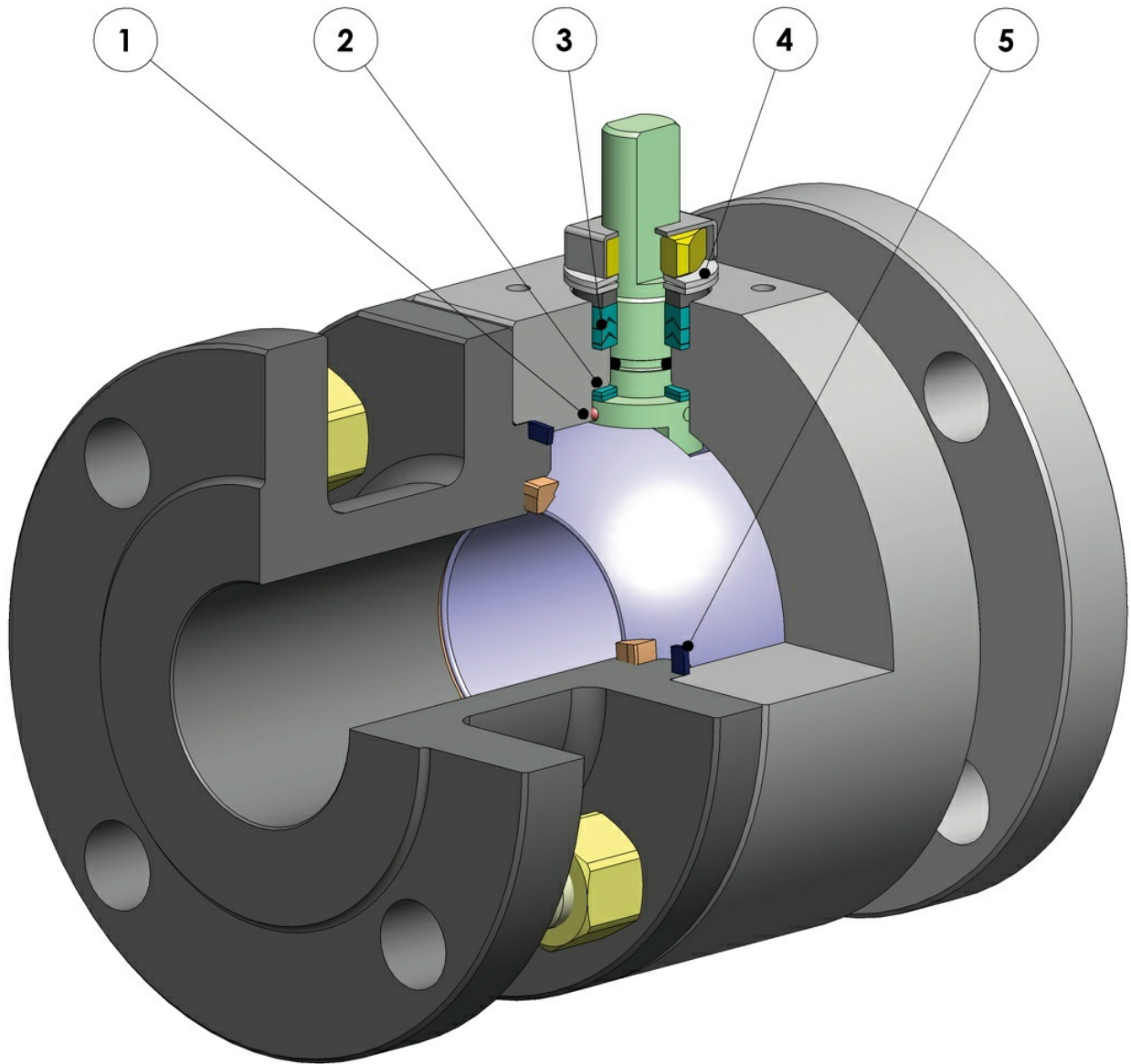
Macro [Ball valves](#)

Category [THOR](#)

Subcategory [THOR Split Body](#)

Family [THOR Split Body PN 63-100 ANSI 600](#)

benefits





1. Antistatic device (electrical continuity between ball, stem and body)

Static electricity is avoided which can cause sparks and fire in an inflammable/explosive environment

Contact safety throughout the entire life of the valve

2. Double antifriction washer

Less Breakaway Torque is granted

Less wear comparing with the execution with the single washer

3. "V" seals pack; 3 seals + o-ring

It ensures a perfect tightness even after a high number of cycles

4. Spring washer on the shaft seal

Guarantee of the recovery of the gap due to the wear caused by the rotational movement of the shaft avoiding leakage towards the outside part.

Allow to maintain energized the "chevron" seals (V), thus avoiding any leakage to the outside, against huge temperature excursions

5. Stretch Graphite seal

Tightness towards outside is granted, independently by the thermal excursions to which the valve is subjected

Greater precision in the alignment of axes due to a unique positioning in the process machining from raw material to finished valve

Longer lifetime of the valve

Less breakaway torque

Easy maintainance directly on site

Reduced maintainance costs

Valve body in carbon steel made with NACE certified material as standard

Greater corrosion resistance

Greater ductility of the material

100% in- house manufacturing process technology

Maximum control and accuracy in all the stages of the manufacturing process

Flexibility in supply quickly special executions requested by customers

"Fire safe" Certificate

Guarantees the tightness of the valve also in case of fire

ATEX Certificate

Installation is possible in a potential explosive environment

TA LUFT fugitive emission Certificate

High level of safety of the tightness towards the outside is granted

PED Certificate

Full compliance with European Safety Standards for Pressure Equipment

UP to SIL 3 certified

Guarantee of the high level of functional safety



features

STANDARD FEATURES

- Floating ball, full bore. Available reduce bore version.
- Soft-seat seal DEVLON
- Standard for connecting flanges: ASME B16.5; EN1092-1
- Operating temperature see temperature pressure diagram
- Pressure class: ANSI 600 / PN63-100
- Tightness Class: EN12266-1 rate A
- Fluid controlled: petroleum products, self-lubricants (liquids and gases), provided they are compatible with the construction materials. For non self-lubricants (water,...) or other applications, contact the sales department.
- Antistatic device EN12266-2
- Stem seal: Modified PTFE V-ring packing
- Additional seal on stem with FKM O-ring
- Anti Blow-out stem
- Actuator connection as per standard ISO 5211
- Closing angle >7°

FEATURES ON REQUEST

- For other flange types please contact our sales department.
- Sealing in: PTFE reinforced with glass (PTFE-GF), PTFE reinforced with carbongraphite (PTFE-CF). For other types of materials please contact our sales department
- Mono-directional version with pressure-relief hole in the ball
- Stainless steel lever
- Stainless steel Stem nuts and springs
- For special versions in materials different from the standard (body, ball, stem), please contact our sales department.
- ATEX marking and certificate ON REQUEST

CERTIFICATIONS

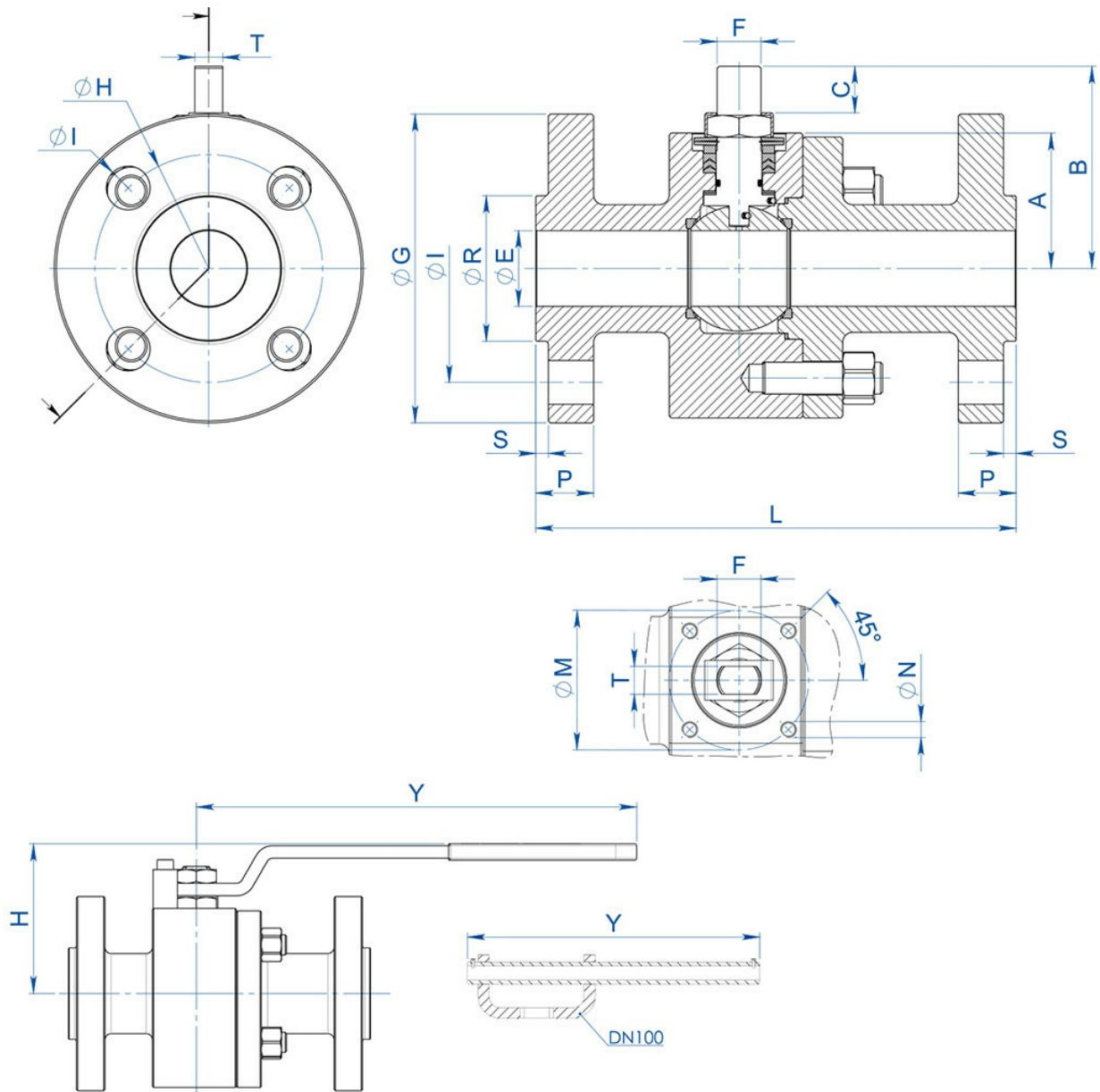
- In compliance with European Directive 2014/68/EU PED; Fugitive Emission ISO 15848 (ISO FE BH-C03-SSA 0); TA-LUFT VDI 2440; FIRE SAFE: ISO 10497 Third ed. 2010 / API 607 Sixth ed. 2010
- In compliance with ATEX 2014/34/EU Directive , ATEX certificate ON REQUEST.

ENGINEERING STANDARD

- Body thickness in compliance with: ASME B16.34, ASME VIII div.1, EN 12516
- API 6D ON REQUEST.
- Materials and rating in compliance with ASME B16.34 for ANSI valves and EN 12516 for PN valves



dimensions





DIMENSIONS -PN-

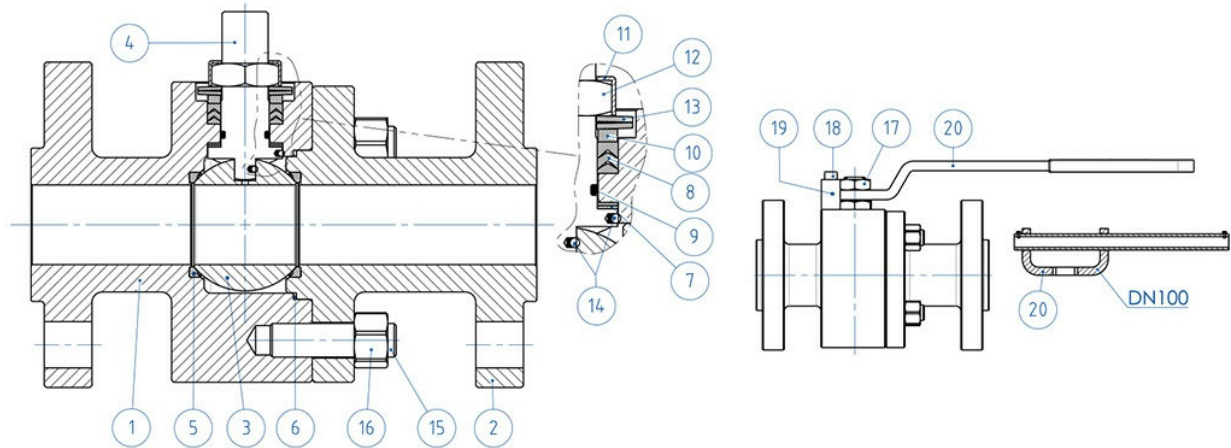
SIZE		PN	øE	A	B	C	ATT. ISO	øM	øN	F/T	øG	øRS	øH	HOLES N°	øI	P	Kg	L	H	Y	LEVER KIT	
DN [mm]	[inch]																					
DN15	1/2"	63-100	13	40	54,5	9,6	F04	42	M5	12/8	105	45	2	75	4	14	20	6,3	165	80	150	KLV580C
DN20	3/4"	63-100	19	45	57,5	9,6	F04	42	M5	12/8	130	58	2	90	4	18	22	7,9	190	83	150	KLV580C
DN25	1"	63-100	25	50	71,5	14,6	F05	50	M6	16/10	140	68	2	100	4	18	24	11,0	216	95	275	KLV580C
DN32	1" 1/4	63-100	32	55	76,5	14,6	F05	50	M6	16/10	155	78	2	110	4	22	24	13,7	229	100	275	KLV580C
DN40	1" 1/2	63-100	38	68	98,5	20,4	F07	70	M8	22/14	170	88	3	125	4	22	26	20,4	241	120	350	KLV5801
DN50	2"	63	51	74	107,5	20,4	F07	70	M8	22/14	180	102	3	135	4	22	26	25,1	292	129	350	KLV5801
DN50	2"	100	51	74	107,5	20,4	F07	70	M8	22/14	195	102	3	145	4	26	28	27,3	292	129	350	KLV5801
DN65	2" 1/2	63	64	94	144	25,1	F10	102	M10	30/18	205	122	3	160	8	22	26	44,0	330	180	450	KLV5801
DN65	2" 1/2	100	64	94	144	25,1	F10	102	M10	30/18	220	122	3	170	8	26	30	47,0	330	180	450	KLV5801
DN80	3"	63	76	101,5	151,5	25,1	F10	102	M10	30/18	215	138	3	170	8	22	28	51,9	356	188	450	KLV5801
DN80	3"	100	76	101,5	151,5	25,1	F10	102	M10	30/18	230	138	3	180	8	26	32	55,3	356	188	450	KLV5801
DN100	4"	63	102	126	196,5	40,5	F14	140	M16	45/30	250	162	3	200	8	26	30	102	432	233	800	KLV5801
DN100	4"	100	102	126	196,5	40,5	F14	140	M16	45/30	265	162	3	210	8	30	36	106	432	233	800	KLV5801

DIMENSIONS -ANSI-

SIZE		ANSI	øE	A	B	C	ATT. ISO	øM	øN	F/T	øG	øR	S	øH	HOLES N°	øI	P	Kg	L	H	Y
DN [mm]	[inch]																				
DN15	1/2"	600	13	40	54,5	9,6	F04	42	M5	12/8	95	35,1	6,4	66,5	4	16	21,0	5,5	165	80	150
DN20	3/4"	600	19	45	57,5	9,6	F04	42	M5	12/8	118	42,9	6,4	82,6	4	19	22,6	6,5	190	83	150
DN25	1"	600	25	50	71,5	14,6	F05	50	M6	16/10	125	50,8	6,4	88,9	4	19	24,4	9,3	216	95	275
DN32	1" 1/4	600	32	55	76,5	14,6	F05	50	M6	16/10	135	63,5	6,4	98,6	4	19	27,4	12,1	229	100	275
DN40	1" 1/2	600	38	68	98,5	20,4	F07	70	M8	22/14	155	73	6,4	114,3	4	22	29,1	18,9	241	120	350
DN50	2"	600	51	74	107,5	20,4	F07	70	M8	22/14	165	91,9	6,4	127	8	19	32,1	23,9	292	129	350
DN65	2" 1/2	600	64	94	144	25,1	F10	102	M10	30/18	190	104,6	6,4	149,4	8	22	36,1	44,3	330	180	450
DN80	3"	600	76	101,5	151,5	25,1	F10	102	M10	30/18	210	127	6,4	168,1	8	22	39,1	54,0	356	188	450
DN100	4"	600	102	126	196,5	40,5	F14	140	M16	45/30	275	157,2	6,4	215,9	8	25,5	45,1	113	432	233	800



materials



MATERIALS		
SPLIT BODY PN63-100 ANSI 600 FROM BAR		
N°	Description	316 Stainless steel
1	Body	ASTM A 182 F316 / A479TP.316 (1.4401 / X5CrNiMo 17-12-2)
2	Connector	
3	Ball	ASTM A351 CF8M (1.4408/Gx5CrNiMo19-12-2)
4	Stem	A564 TP.630 (17-4PH)
5*	Seat	DEVLON
6*	Body-Connector gasket	GRAFOIL
7*	Stem lower sealing	Modified PTFE (.) (I)
8*	Chevron Chevron seals	Modified PTFE (.)
9*	Stem o-ring	FKM (.)
10	Packing gland ring	304 S.S.
11	Stop nut plate	304 S.S.
12	Stem nut	Carbon steel galvanized (xx)
13	prings washer	Carbon steel galvanized (xx)
14	Antistatic device	316 S.S.
15	Stud bolt	ASTM A193-B8
16	Nut	ASTM A194-Gr.8
17	Lock nut	Carbon steel galvanized
18	Holder screw	A2-70 (304 S.S.)
19	Holder screw	Carbon steel galvanized (x)
20	Lever	Fe37 galvanized (x)
* Components of seals kit		

Available on request:

(x): 304 s.s.

(xx): 301 s.s.

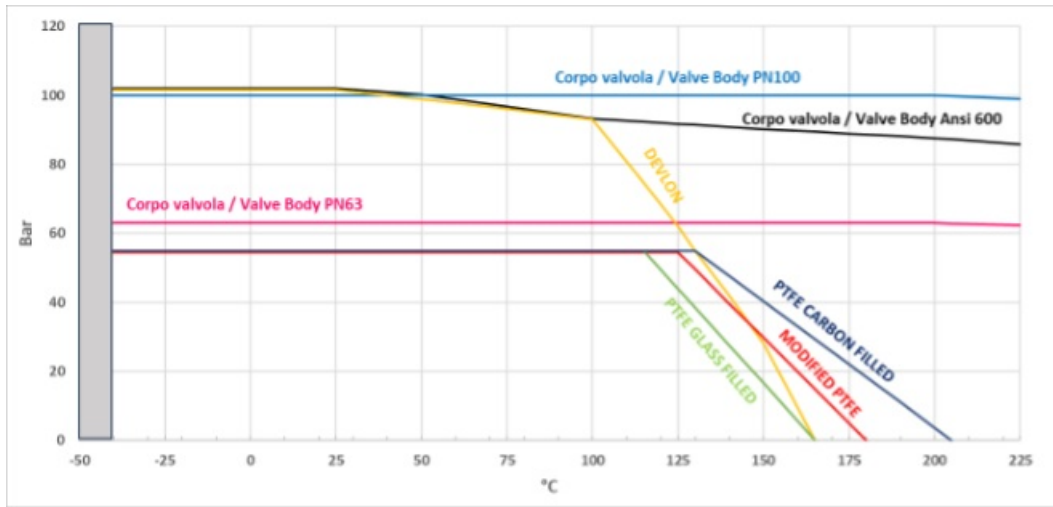
(I): for ≤DN32 available only in DEVLON

(.): Other materials available on request

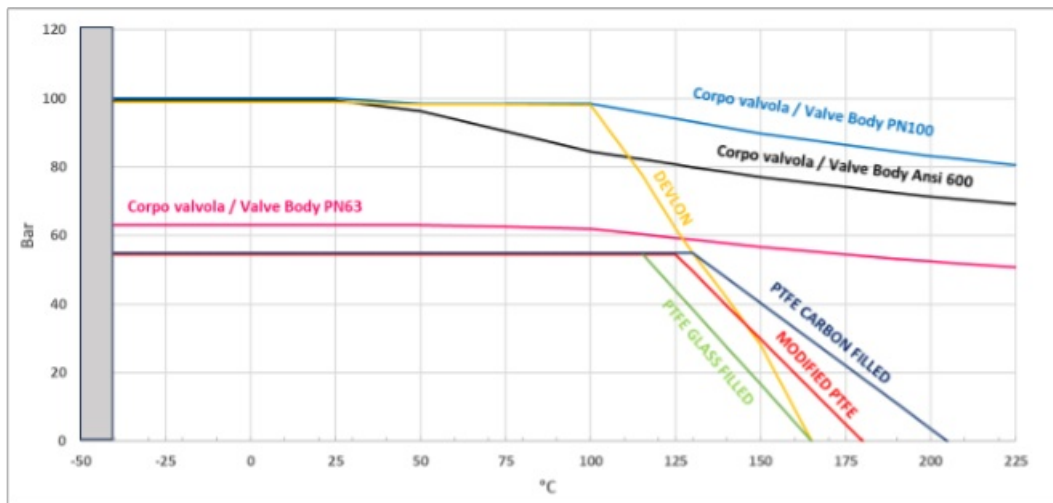


diagrams and breakaway torque

Temperature/pressure diagram for carbon steel valve

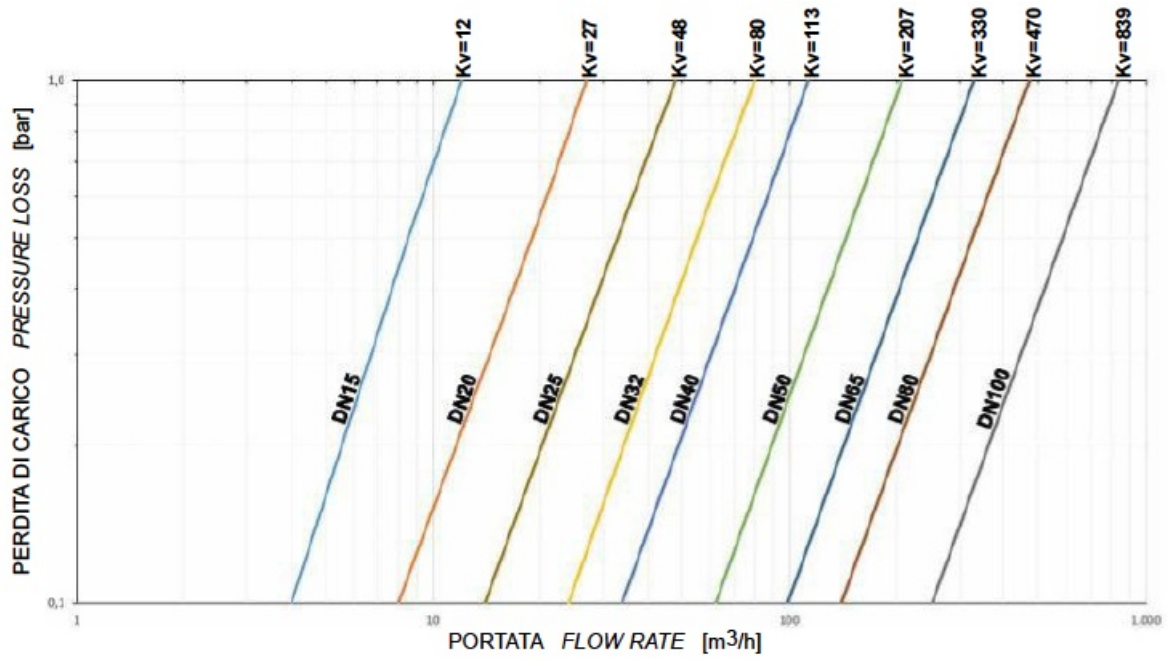


Temperature/pressure diagram for stainless steel valve





Flow/pressure loss diagram and Kv nominal coefficient

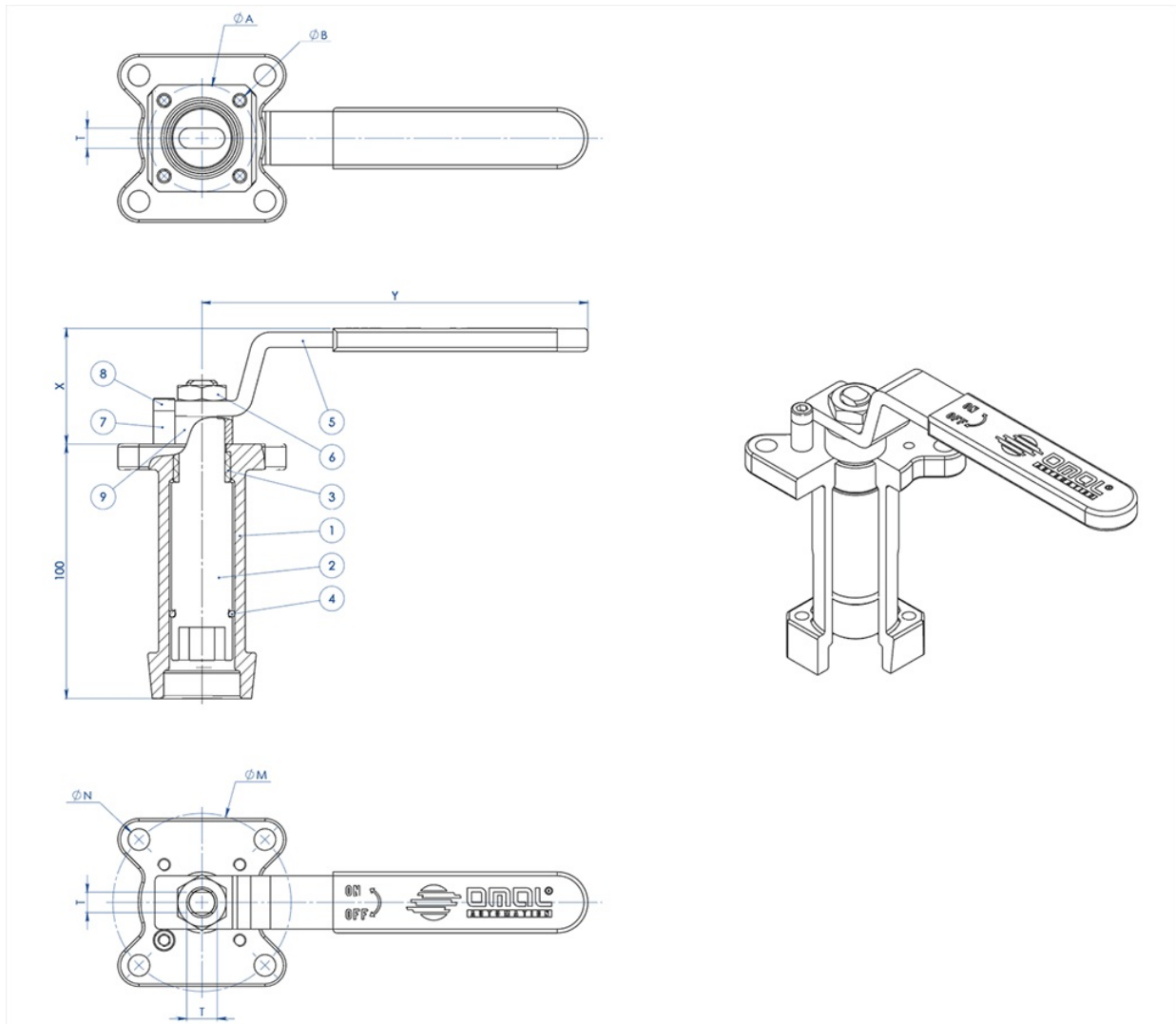


Kv is the coefficient, expressed in m³/h (with water at 15°C) causing a pressure loss of 1 bar.



accessories

CASTING STEM EXTENSION WITH LEVER



MATERIALS

PART. N°	DESCRIPTION	MATERIAL
1	Extension	AISI304 S.S.
2	Pin	AISI 430 F
3	Bush	DELRIN
4	O-RING	NBR
5	Lever	Fe 37 galvanized (*)
6	Nut	galvanized carbon steel (*)
7	Holder Lever	galvanized carbon steel (*)
8	Holder screw	A2-70
9	Spacer	PTFE Carbon Filled

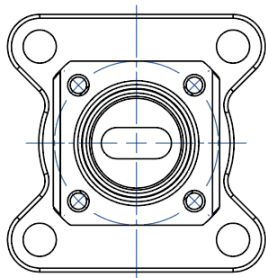
(*): On request available in Aisi 304 s.s.



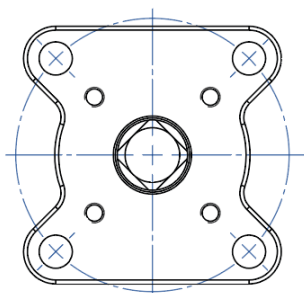
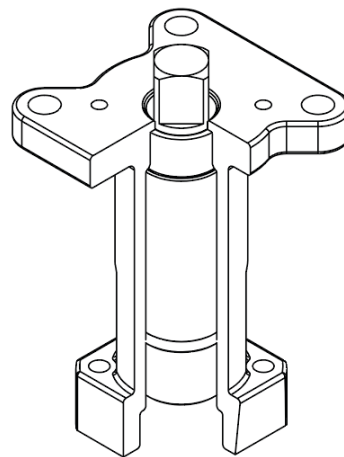
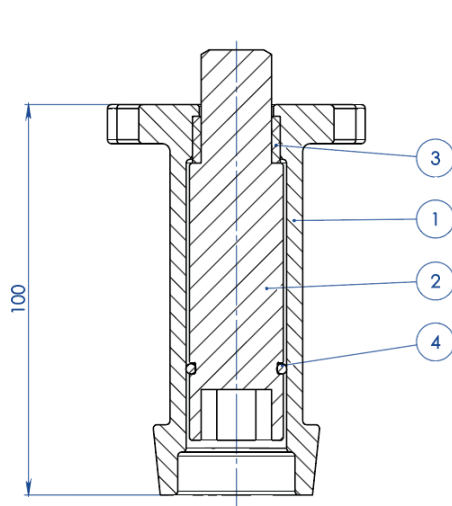
DIMENSIONS							
ISO VALVE	ØA	ØB	ØM	ØN	F/T	X	Y
F03	36	5,5	36	5,5	10/6	38,5	141,5
F04	42	5,5	42	M5	12/8	45,5	151,5
F05	50	6,5	50	6,5	16/10	48,5	276,5
F07	70	8,5	70	8,5	22/14	57,5	351,5
F10	102	11	102	11	30/18	79,5	451,5

NOTE: Code of the spindle extension depending from drive's type and valve's connection; to be requested at the order.

CASTING STEM EXTENSION FOR ACTUATORS



NOTA: Le dimensioni dipendono dalle dimensioni dell'attacco valvola
NOTE: Dimensions depending from valve's connection



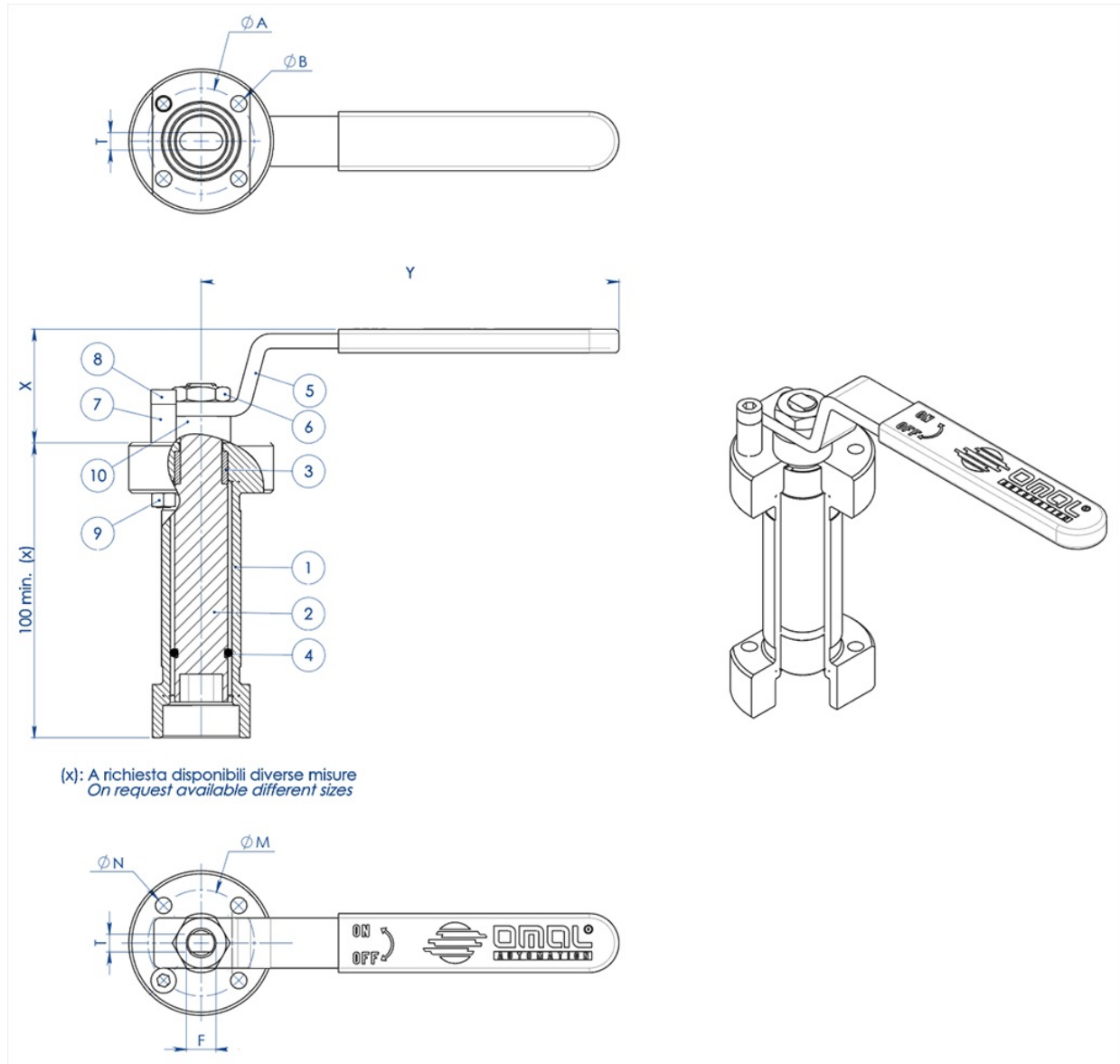
NOTA: Le dimensioni dipendono dalla taglia dell'attuatore
NOTE: Dimensions depending from actuator's size



MATERIALS		
PART. N°	DESCRIPTION	MATERIAL
1	Extension	ASTM A351 CF8M
2	Pin	AISI 430 F
3	Bush	DELTRIN
4	O-RING	NBR

NOTE: Code of the spindle extension depending from drive's type and valve's connection; to be requested at the order

WELDED STEM EXTENSION WITH LEVER





MATERIALS		
PART. N°	DESCRIPTION	MATERIAL
1	Extension	304 s.s.
2	Pin	AISI 430 F
3	Bush	DELTRIN
4	O-Ring	NBR
5	Lever	Fe 37 galvanized (*)
6	Nut	galvanized carbon steel (*)
7	Holder Lever	galvanized carbon steel (*)
8	Holder screw	A2-70
9	Holder nut	A2-70 (**)
10	Spacer	PTFE Carbon Filled

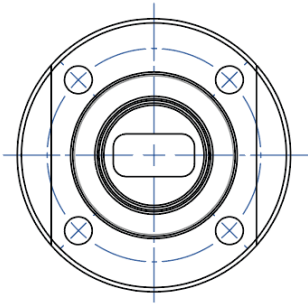
(*): On request available in Aisi 304 s.s.

(**): No available on valves with Iso connection F04

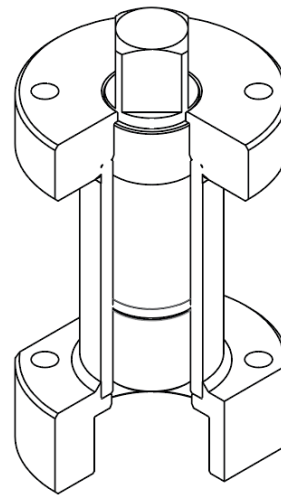
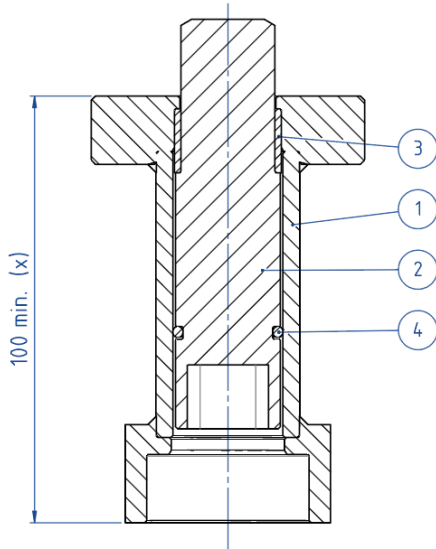
DIMENSIONS							
ISO VALVE	ØA	ØB	ØM	ØN	F/T	X	Y
F03	36	5,5	36	5,5	10/6	38,5	141,5
F04	42	5,5	42	M5	12/8	45,5	151,5
F05	50	6,5	50	6,5	16/10	48,5	276,5
F07	70	9	70	9	22/14	57,5	351,5
F10	102	11	102	11	30/18	79,5	451,5

NOTE: Code of the stem extension depending from drive's type and valve's connection; to be requested at the order.

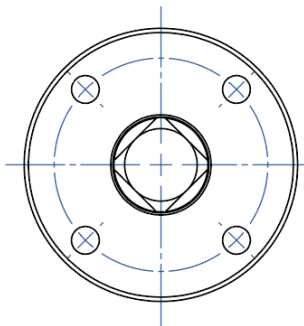
WELDED STEM EXTENSION FOR ACTUATORS



NOTA: Le dimensioni dipendono dalle dimensioni dell'attacco valvola
NOTE: Dimensions depending from valve's connection



(x): A richiesta disponibili diverse misure
On request available different sizes



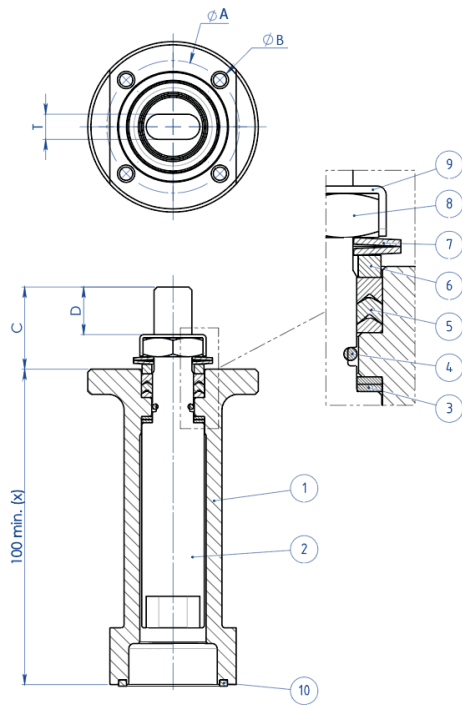
NOTA: Le dimensioni dipendono dalla taglia dell'attuatore
NOTE: Dimensions depending from actuator's size

MATERIALS		
PART. N°	DESCRIPTION	MATERIAL
1	Extension	304 S.S.
2	Pin	AISI 430 F
3	Bush	DELRIN
4	O-RING	NBR

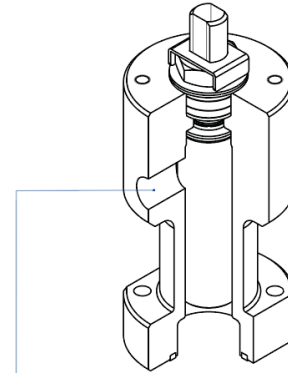
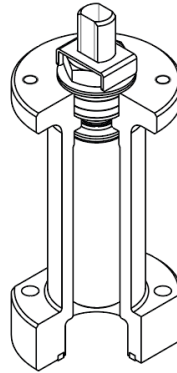
NOTE: Code of the stem extension depending from drive's type and valve's connection; to be requested at the order.



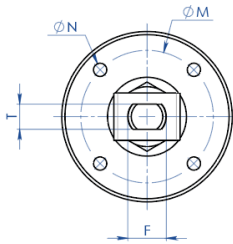
STEM EXTENSION WITH ADDITIONAL SEAL



(x): A richiesta disponibili diverse misure
On request available different sizes



A richiesta disponibile anche la versione con presa per Sniffer
Stem extension with sniffer also available on request



MATERIALS

PART. N°	DESCRIPTION	MATERIAL
1	Extension	304 s.s.
2	Pin	A564 TP.630 (17-4ph)
3	Bottom Sealing	TFM1600
4	O-Ring	FKM
5	Chevron Ring	TFM1600
6	Packing Gland Ring	304 s.s.
7	Spring Washer	50CrV4 Galvanized
8	Stem Nut	UNI 3740-1 6S Galvanized
9	Stop Nut Plate	304 s.s.
10	Gasket	GRAFOIL



DIMENSIONS							
ISO VALVE	ØA	ØB	ØM	ØN	F/T	C	D
F03	36	5,5	36	M5	10/6	20	10,2
F04	42	5,5	42	M5	12/8	26	15,1
F05	50	6,5	50	M6	16/10	35	21,2
F07	70	8,5	70	M8	22/14	47,5	28,4
F10	102	10,5	102	M10	30/18	61	35,2

NOTE: Code of the spindle extension depending from drive's type and valve's connection; to be requested at the order.



documents

Certificati

TA LUFT - MAGNUM & THOR

ATEX - Ball Valves

SIL IEC 61508 - MAGNUM & THOR

FUGITIVE EMISSION DN25 CL.600 TI-M4

PED

FIRE SAFE - SPLIT BODY PN63-100-CL 600 DN15-100 316

API Licence number 6D-1007

UKCA

Istruzioni

ISTRUZIONI ATEX 8_0486

ISTRUZIONI USO 8_0844-36

Manuali

MANUALE UMAH1000