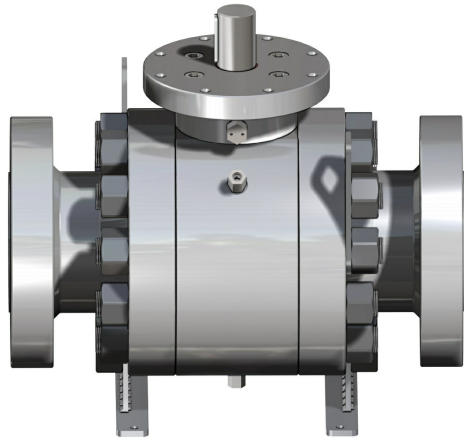


## SUPREME Trunnion ball valve

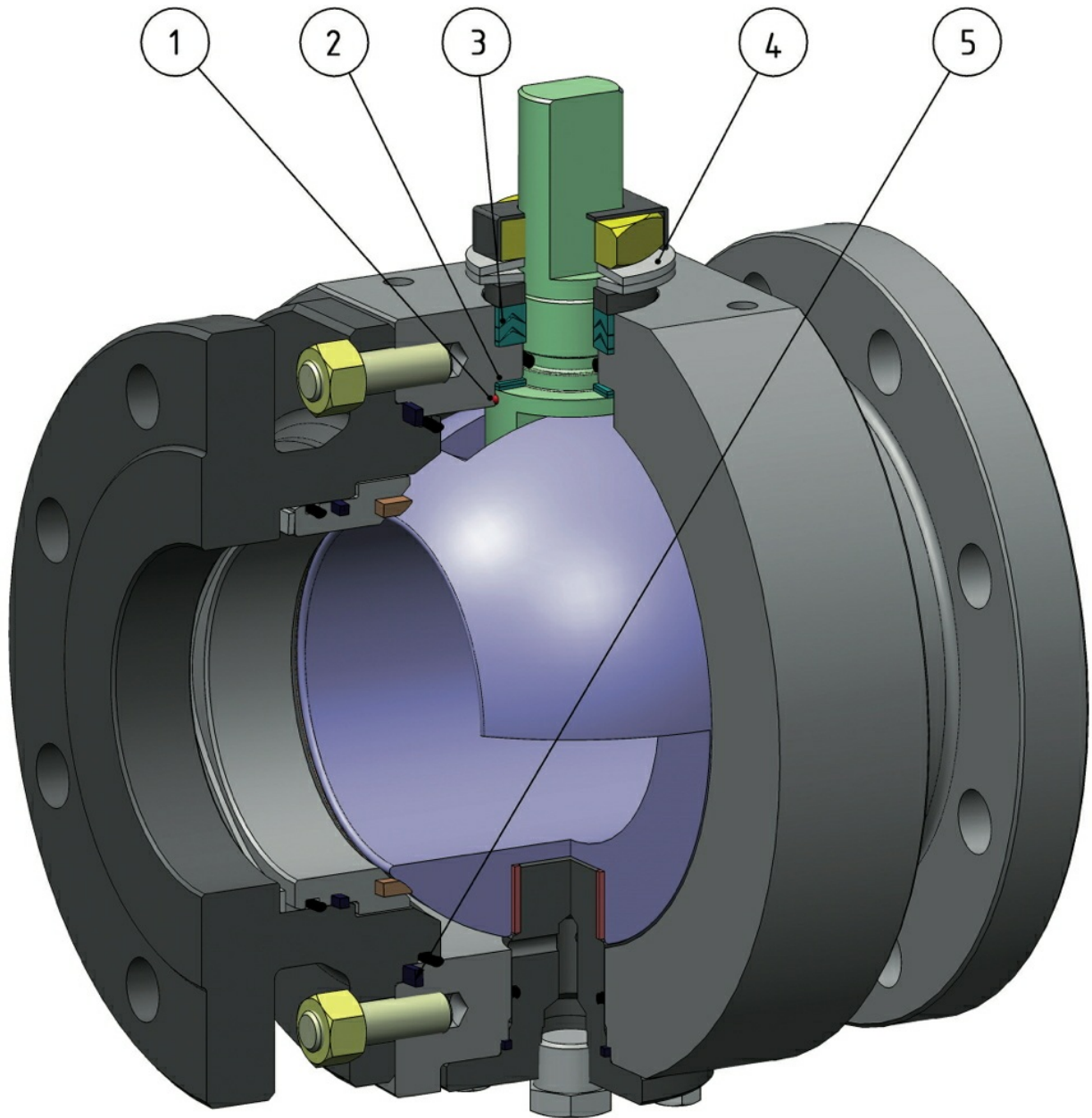


Macro Ball valves

Category SUPREME Trunnion

benefits

**DN ≤ 100 SIZE ≤ 4" – ANSI 150-300**



**1. Antistatic device ((electrical continuity between ball, stem and body)**

Static electricity is avoided which can cause sparks and fire in an inflammable/explosive environment  
Contact safety throughout the entire life of the valve

**2. Double antifriction washer**

Less Break Away Torque is granted  
Less wear comparing with the execution with the single washer

**3. "V" seals pack; 3 seals + o-ring**

It ensures a perfect tightness even after a high number of cycles

**4. Spring washer on the shaft seal**

Guarantee of the recovery of the gap due to the wear caused by the rotational movement of the shaft avoiding leakage towards the outside part.

Allow to maintain energized the "chevron" seals (V), thus avoiding any leakage to the outside, against huge temperature excursions

**5. Stretch Graphite seal**

Tightness towards outside is granted, independently by the thermal excursions to which the valve is subjected

**Greater precision in the alignment of axes due to a unique positioning in the process machining from raw material to finished valve**

Longer lifetime of the valve  
Less break away torque

**Valves in carbon steel made with certified material - NACE as standard**

Greater corrosion resistance  
Greater ductility of the material

**100% in- house manufacturing process technology**

Maximum control and accuracy in all the stages of the manufacturing process  
Flexibility in supply quickly special executions requested by customers

**"Fire safe" Certificate**

Guarantees the tightness of the valve also in case of fire

**ATEX Certificate**

Installation is possible in a potential explosive environment

**TA LUFT fugitive emission Certificate**

High level of safety of the tightness towards the outside is granted

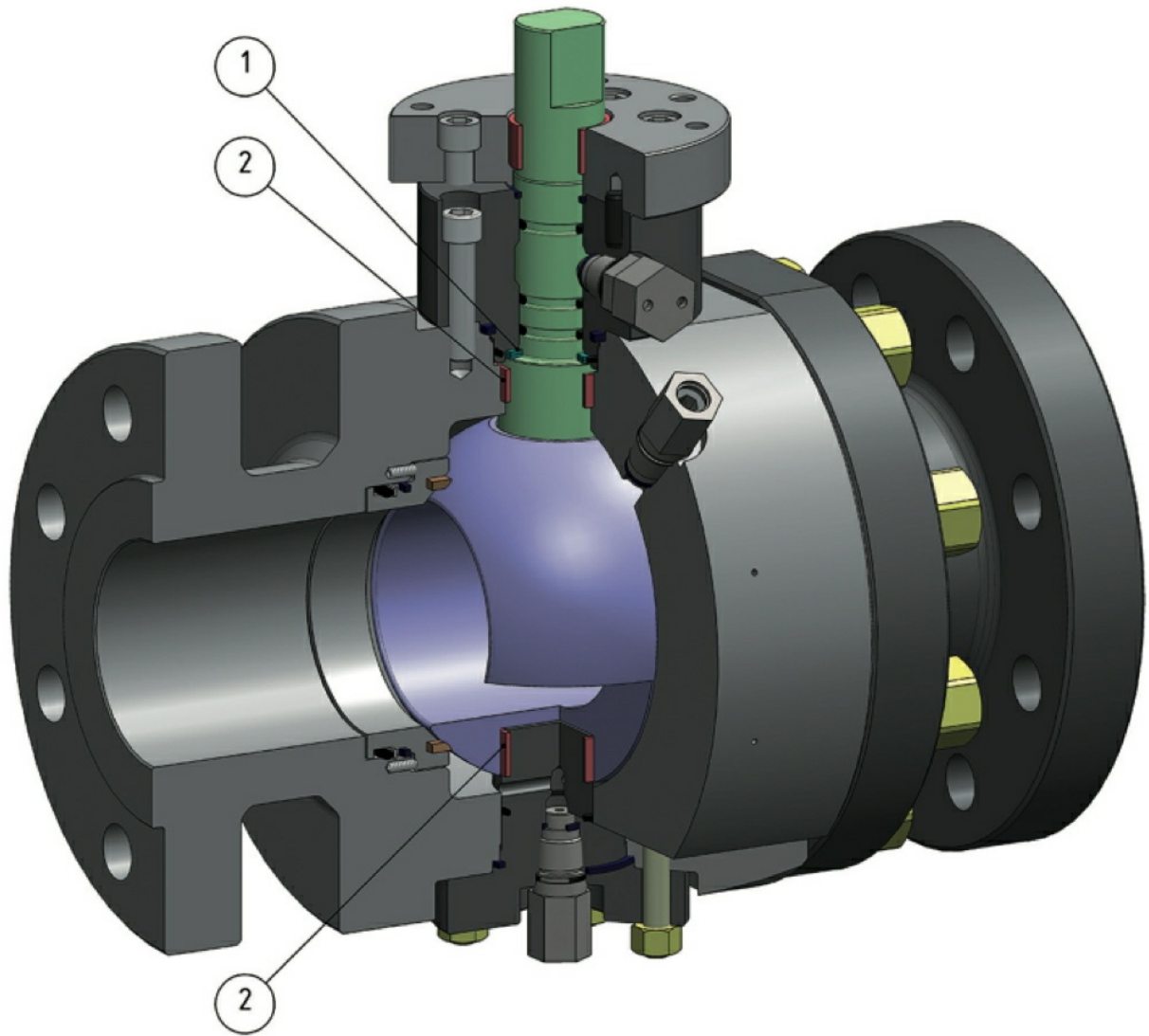
**PED Certificate**

Full compliance with European Safety Standards for Pressure Equipment

**UP to SIL 3 certified**

Guarantee of the high level of functional safety

DN ≤ 100 SIZE ≤ 4" – ANSI ≥ 600



**1. Double antifriction washer**

Less Break Away Torque is granted  
Less wear comparing with the execution with the single washer

**2. Two ball guiding bushings**

Less valve torque

**Antistatic device ((electrical continuity between ball, stem and body)**

Static electricity is avoided which can cause sparks and fire in an inflammable/explosive environment  
Contact safety throughout the entire life of the valve

**Stretch Graphite seal**

Tightness towards outside is granted, independently by the thermal excursions to which the valve is subjected

**Valves in carbon steel made with certified material - NACE as standard**

Greater corrosion resistance  
Greater ductility of the material

**"Fire safe" Certificate**

Guarantees the tightness of the valve also in case of fire

**ATEX Certificate**

Installation is possible in a potential explosive environment

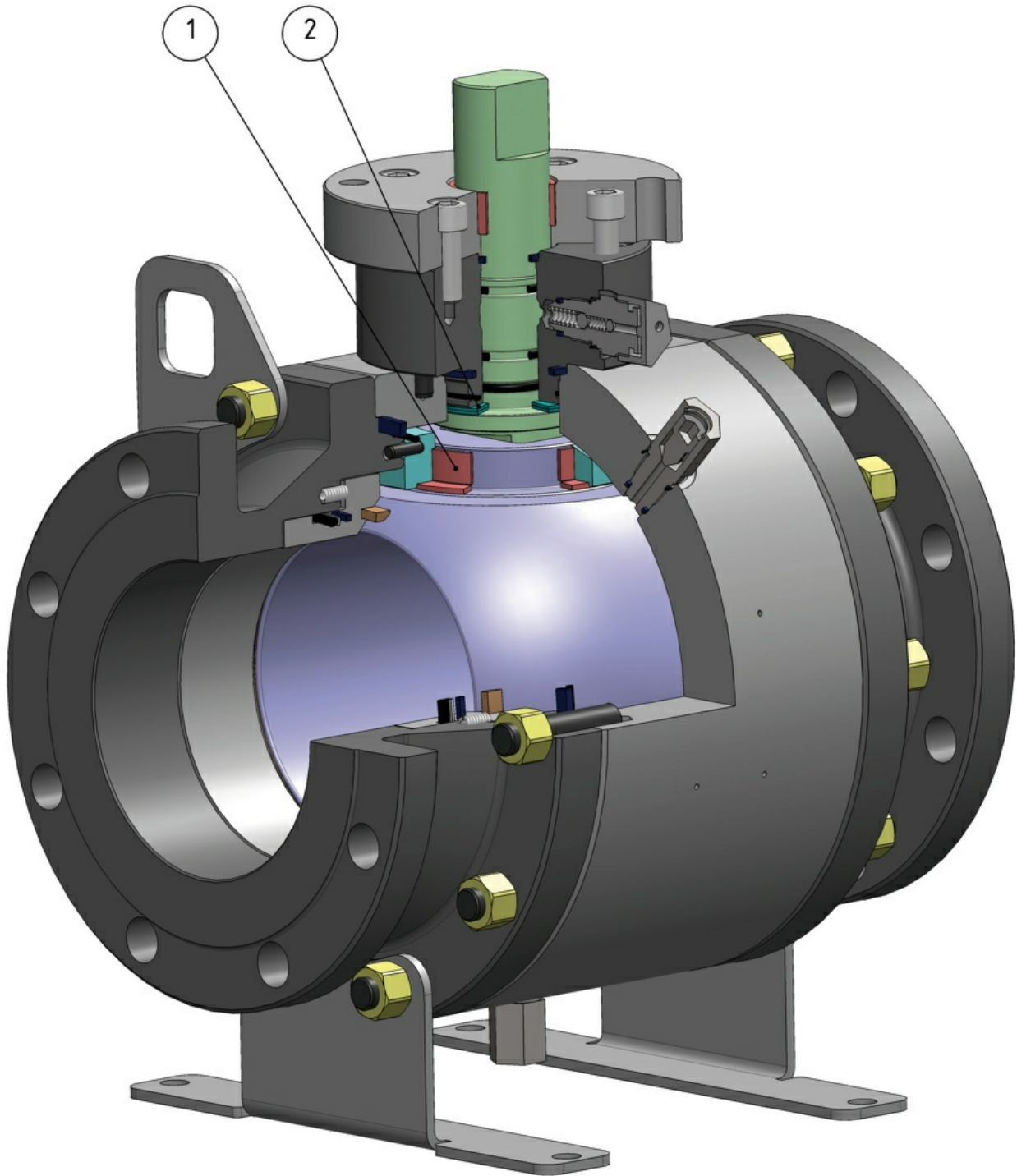
**PED Certificate**

Full compliance with European Safety Standards for Pressure Equipment

**UP to SIL 3 certified**

Guarantee of the high level of functional safety

DN ≥ 150 SIZE ≥ 6"



**1. Double antifriction washer**

Less Break Away Torque is granted  
Less wear comparing with the execution with the single washer

**2. Two ball guiding bushings**

Less valve torque

**Antistatic device ((electrical continuity between ball, stem and body)**

Static electricity is avoided which can cause sparks and fire in an inflammable/explosive environment  
Contact safety throughout the entire life of the valve

**Stretch Graphite seal**

Tightness towards outside is granted, independently by the thermal excursions to which the valve is subjected

**Valves in carbon steel made with certified material - NACE as standard**

Greater corrosion resistance  
Greater ductility of the material

**"Fire safe" Certificate**

Guarantees the tightness of the valve also in case of fire

**ATEX Certificate**

Installation is possible in a potential explosive environment

**PED Certificate**

Full compliance with European Safety Standards for Pressure Equipment

**UP to SIL 3 certified**

Guarantee of the high level of functional safety

**FUGITIVE EMISSION Certificate**

High level of safety of the tightness towards the outside is granted

## features

### STANDARD EXECUTION

- Two or three pieces body
- Resilient seat
- Automatic body cavity relief
- Double Block & Bleed
- Pressure class: ANSI 150÷ANSI 2500
- Applications: chemical and petrochemical plants, oil & gas production, power plants, other process industry applications, liquid, gas and steam, hydrocarbons
- Anti blow out stem

### SPECIAL FEATURES ON REQUEST

- Double piston effect
- Material and special execution according to Customer Specifications
- ATEX marking and certificate ON REQUEST

### CERTIFICATIONS

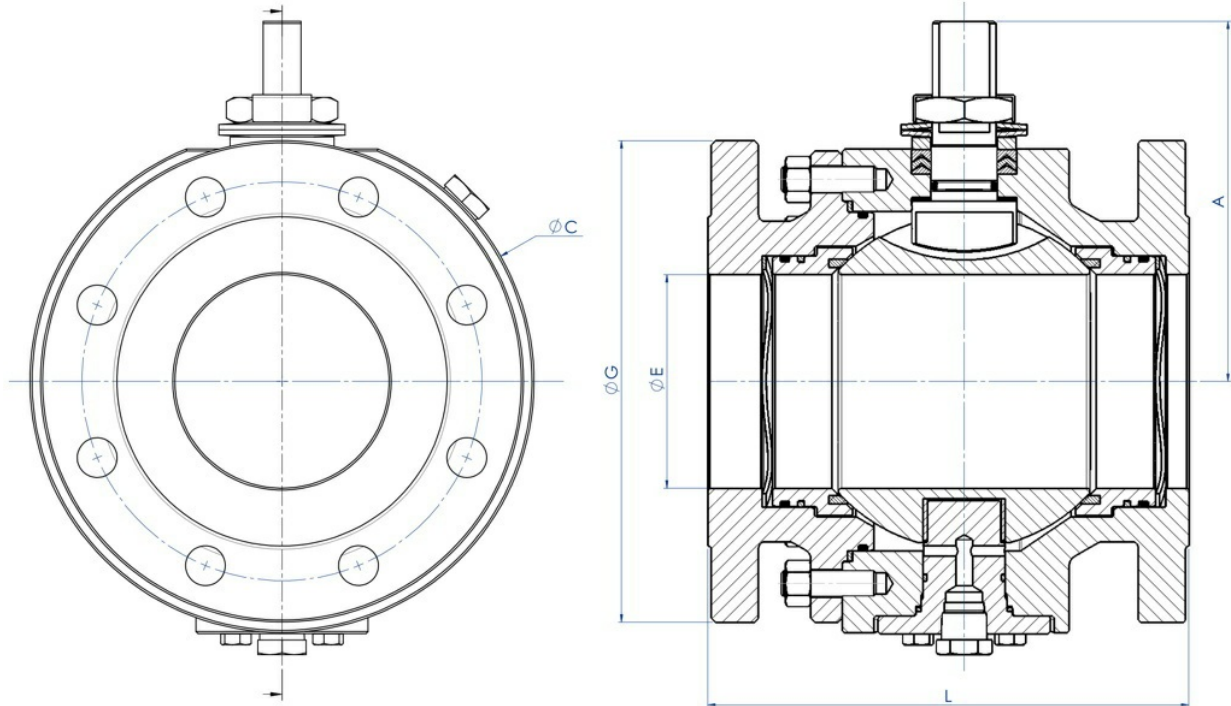
- In compliance with European Directive 2014/68/EU PED.
- In compliance with European Directive 2014/34/EU ATEX (ATEX certificate ON REQUEST).
- Safety integrity level up to SIL 3 according to IEC 61508.
- FIRE SAFE EN ISO 10497- API607.
- Fugitive Emission UNI EN ISO 15848.

### STANDARD DESIGN

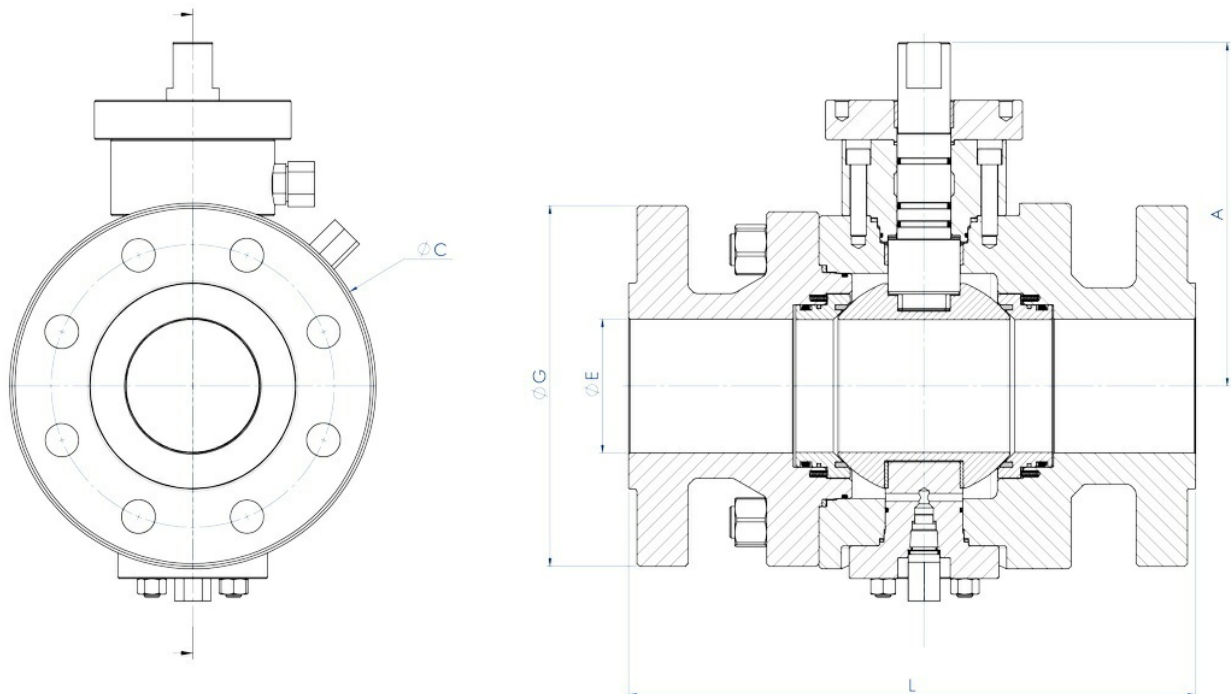
- ASME B16.34
- End connections: ASME B16.5 (RF-RTJ), ASME B16.25 (BW)
- Face to face: ASME B16.10
- Drives mounting flange: ISO5211
- Design API 6D on request.

dimensions

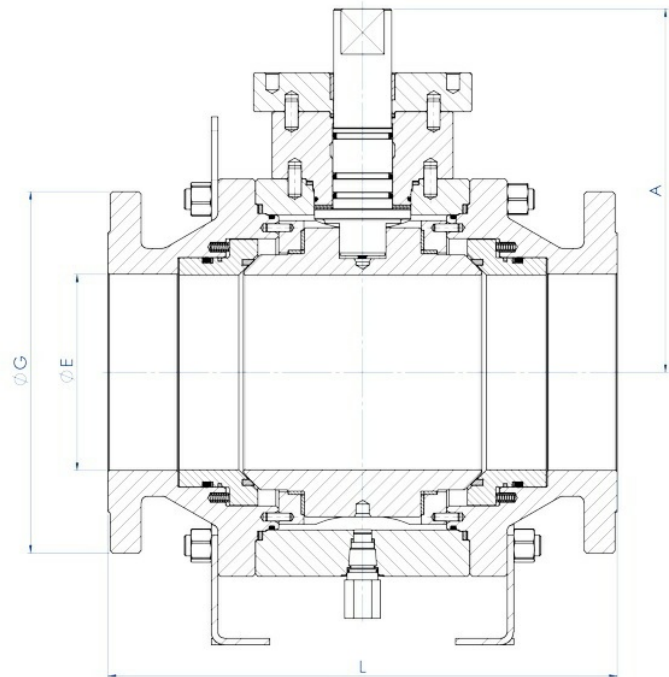
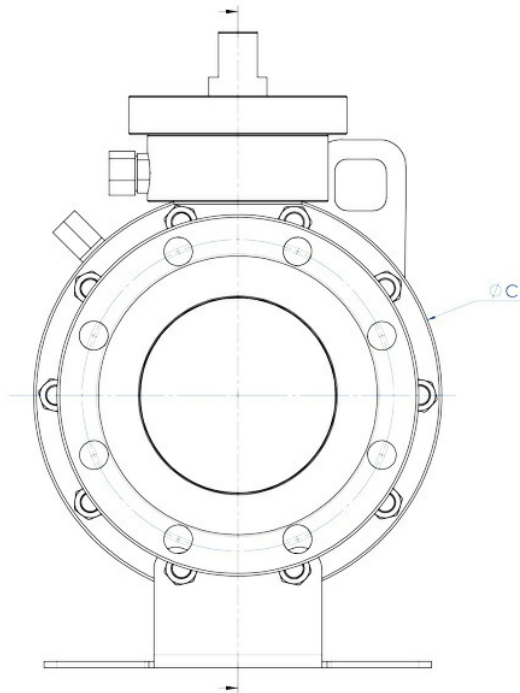
**DN≤100 SIZE ≤4" ANSI 150-300**



**DN≤100 SIZE ≤4" ANSI ≥600**



**DN ≥150 SIZE ≥6"**



	DN	SIZE	L	ØE	ØG	A	ØC
ANSI 150	50	2"	178	51	152	67*	146*
	80	3"	203	76	190	90	190
	100	4"	229	102	230	111	240
	150	6"	394	152	280	232	316
	200	8"	457	203	345	286	400
	250	10"	533	254	408	324	475
	300	12"	610	305	484	355*	580*
	350	14"	686	337	536	402*	626*
	400	16"	762	386	597	441*	700*
	450	18"	864	438	636	484*	779*
	500	20"	914	489*	694	560*	900*
600	24"	1067	591*	814	620*	1020*	

	DN	Size	L	ØE	ØG	A	ØC
ANSI 300	50	2"	216	51	165	67*	156*
	80	3"	282	76	210	90	200
	100	4"	305	102	255	111	240
	150	6"	403	152	320	236	324
	200	8"	502	203	382	286	408
	250	10"	568	254	446	324	475
	300	12"	648	305	522	355*	580*
	350	14"	762	337	585	402*	626*
	400	16"	838	386	649	504*	770*
	450	18"	914	438	712	484*	779*
	500	20"	991	489*	776	560*	900*
600	24"	1143	591*	915	620*	1020*	

	DN	Size	L	ØE	ØG	A	ØC
<b>ANSI 600</b>	50	2"	292	51	165	160*	189*
	80	3"	356	76	210	191	210
	100	4"	432	102	275	218	279
	150	6"	559	152	355	263	355
	200	8"	660	203	420	304	430
	250	10"	787	254	510	352	520
	300	12"	838	305	561	402*	620*
	350	14"	889	337	604	416*	655*
	400	16"	991	386	687	450*	730*
	450	18"	1092	438	744	515*	810*
	500	20"	1194	489*	814	588*	955*
	600	24"	1397	591*	941	645*	1070*

	DN	Size	L	ØE	ØG	A	ØC
<b>ANSI 900</b>	50	2"	368	51	215	120*	189*
	80	3"	381	76	242	204	240
	100	4"	457	102	293	218	279
	150	6"	610	152	382	263	355
	200	8"	737	203	471	304	430
	250	10"	838	254	547	352	520
	300	12"	965	305	612	452	660
	350	14"	1029	322	640	460*	700*
	400	16"	1130	373	706	485*	760*

	DN	Size	L	ØE	ØG	A	ØC
<b>ANSI 1500</b>	50	2"	368	51	215	140*	189*
	80	3"	470	76	268	225	270
	100	4"	546	102	312	240*	300*
	150	6"	705	146	395	285*	390*
	200	8"	832	192	485	340*	460*
	250	10"	991	239	585	390*	555*

	DN	Size	L	ØE	ØG	A	ØC
<b>ANSI 2500</b>	50	2"	451	42	235	160	219
	80	3"	508	63	305	241	318
	100	4"	673	87	357	253	335
	150	6"	914	131	485	340	500

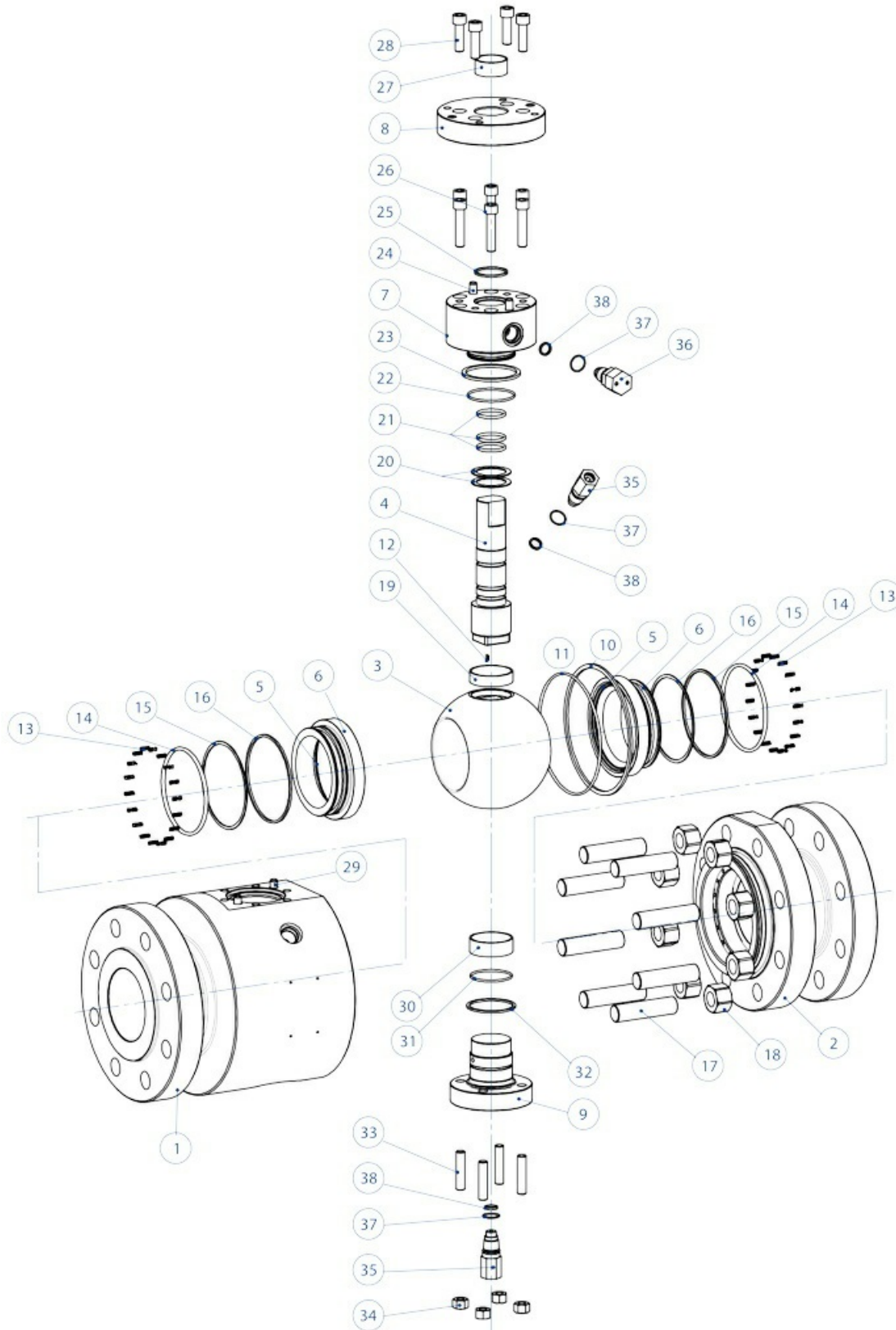
\* Indicative dimensions



1. Body
2. Closure
3. Ball
4. Stem
5. Seat insert
6. Seat holder
7. Lower cover
8. Body O-ring
9. Body gasket
10. Seat O-ring
11. Back-up ring
12. Seat gasket
13. Springs
14. Stud bolt
15. Nut
16. Bottom sealing
17. Stem O-ring
18. Chevron pack
19. Gland nut ring
20. Spring washer
21. Stem nut
22. Stem nut locker
23. Lower cover screws
24. Lower cover gasket
25. Lower cover O-ring
26. Drain cap

**DN≤100 SIZE ≤4" – ANSI ≥600**

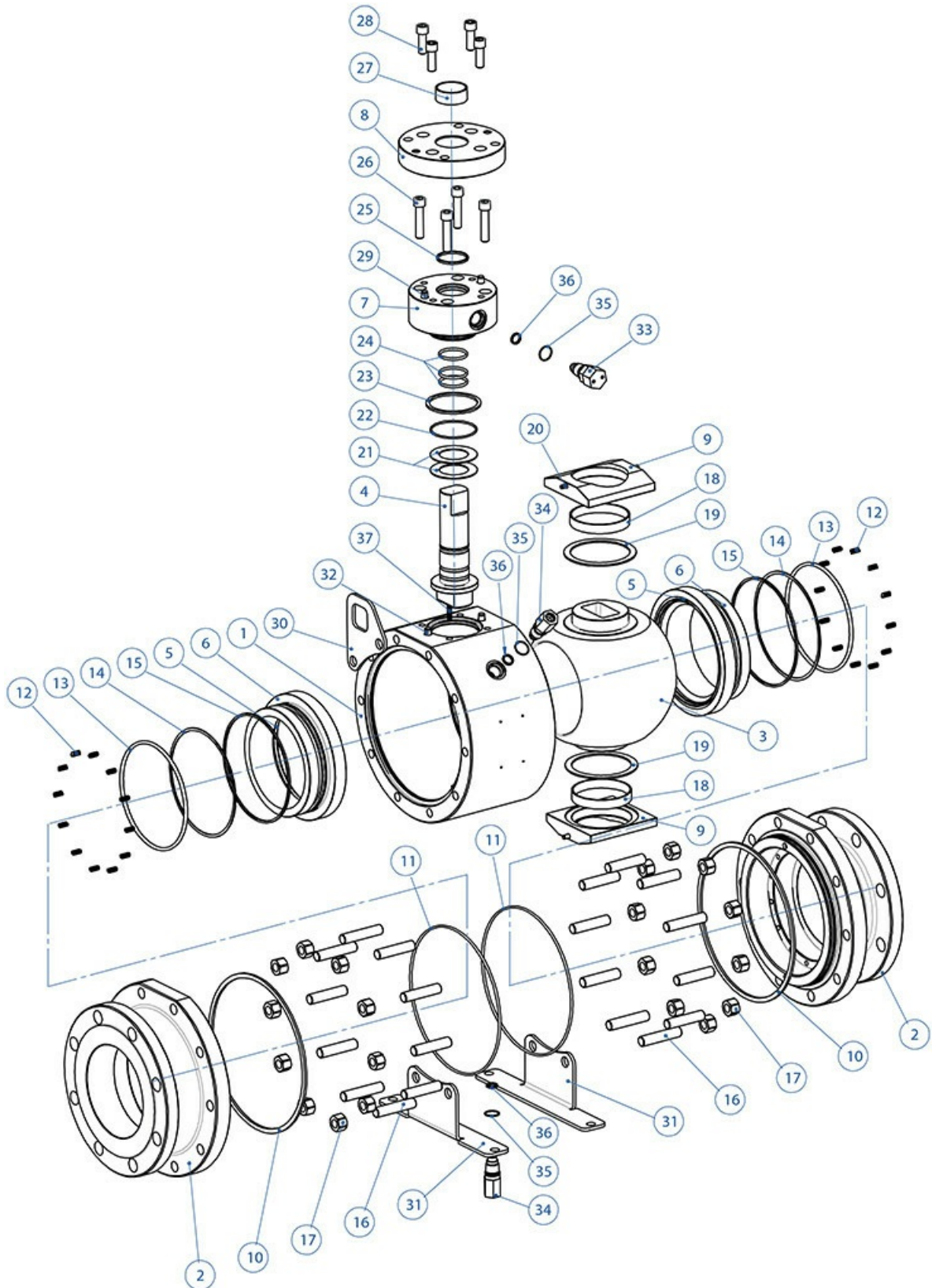
**DN≤100 SIZE ≤4" – ANSI ≥600**



1. Body
2. Closure
3. Ball
4. Stem
5. Seat insert
6. Seat holder
7. Upper cover
8. Flange
9. Lower cover
10. Body gasket
11. Body O-ring
12. Antistatic device Spring
13. Springs
14. Back-up ring
15. Seat O-ring
16. Seat gasket
17. Stud bolt
18. Nut
19. Ball bush
20. Bottom sealing
21. Stem O-ring
22. Upper cover O-ring
23. Upper cover Gasket
24. Upper cover pin
25. Fire safe stem Gasket/antistatic device
26. Upper cover screw
27. Stem bush
28. Flange screw
29. Body pin
30. Ball bush
31. Lower cover O-ring
32. Lower cover gasket
33. Lower cover stud
34. Nut
35. Vent valve
36. Stem grease injector
37. Vent/Greaser O-ring
38. Vent/Greaser Gasket

**DN ≥150 SIZE ≥6"**

**DN ≥150 SIZE ≥6"**



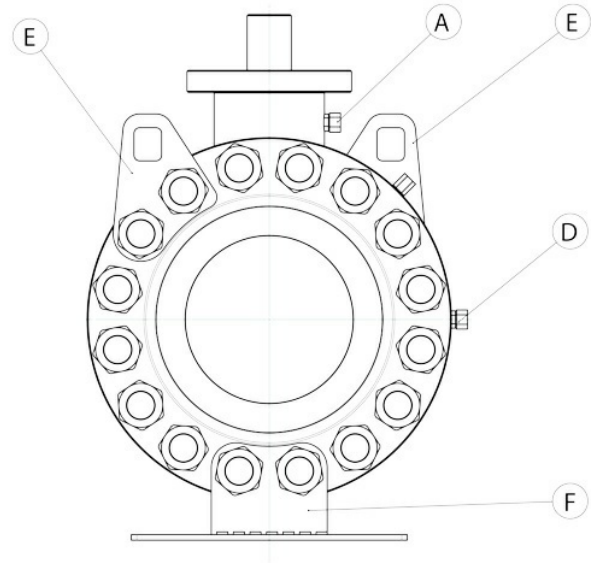
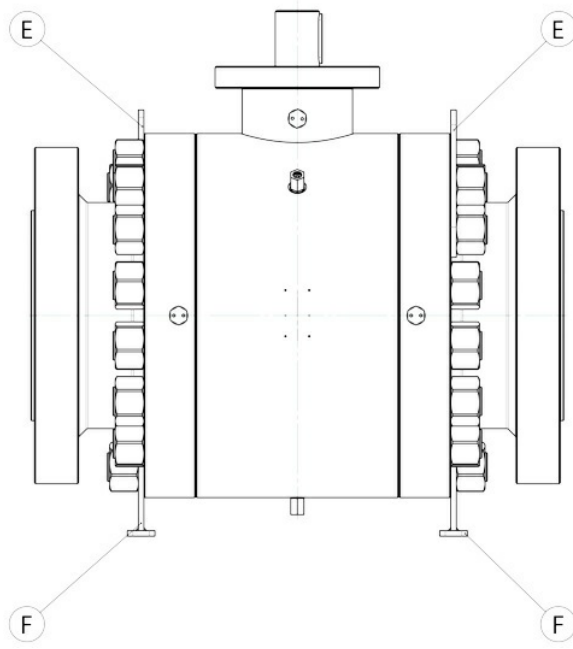
1. Body
2. Closure
3. Ball
4. Stem
5. Seat insert
6. Seat holder
7. Upper cover
8. Flange
9. Support plate
10. Body gasket
11. Body O-ring
12. Springs
13. Seat O-ring
14. Back-up ring
15. Seat gasket
16. Stud bolt
17. Nut
18. Ball bush
19. Thrust bearing
20. Support plate pin
21. Bottom sealing
22. Upper cover O-ring
23. Upper cover Gasket
24. Stem O-ring
25. Fire safe stem Gasket/antistatic device
26. Upper cover screw
27. Stem bush
28. Flange screw
29. Upper cover pin
30. Lifting Lug
31. Support feet
32. Body pin
33. Stem grease injector
34. Vent valve
35. Vent/Greaser O-ring
36. Vent/Greaser Gasket
37. Antistatic device spring

## size and accessories

### Size and Accessories

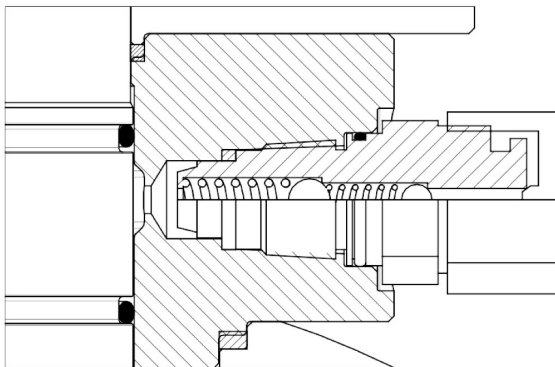
DN	50	80	100	150	200	250	300	350	400	450	500	600
	x 65	x 80	x 100	x 150	x 200	x 250	x 300	x 350	x 400	x 450	x 500	x 600
SIZE	2" x 2 1/2"	3" x 3"	4" x 4"	6" x 4"	8" x 6"	10" x 8"	12" x 10"	14" x 10"	16" x 12"	18" x 14"	20" x 16"	24" x 20"
ANSI 150	A											
	B	•	•	•	•	•	•	•	•	•	•	•
	C											
	D											
	E											
	F											
ANSI 300	A											
	B	•	•	•	•	•	•	•	•	•	•	•
	C											
	D											
	E											
	F											
ANSI 600	A	•	•	•	•	•	•	•	•	•	•	•
	B											
	C	•	•	•	•	•	•	•	•	•	•	•
	D											
	E											
	F											
ANSI 900	A	•	•	•	•	•	•	•	•	•	•	•
	B											
	C	•	•	•	•	•	•	•	•	•	•	•
	D											
	E											
	F											
ANSI 1500	A	•	•	•	•	•	•	•	•	•	•	•
	B											
	C	•	•	•	•	•	•	•	•	•	•	•
	D											
	E											
	F											
ANSI 2500	A	•	•	•	•	•	•	•	•	•	•	•
	B											
	C	•	•	•	•	•	•	•	•	•	•	•
	D											
	E											
	F											

- A) Shaft Sealing Injection
- B) Vent and Drain Plug
- C) Vent and Drain valves
- D) Seats Sealing Injection
- E) Lifting lug
- F) Supporting feet

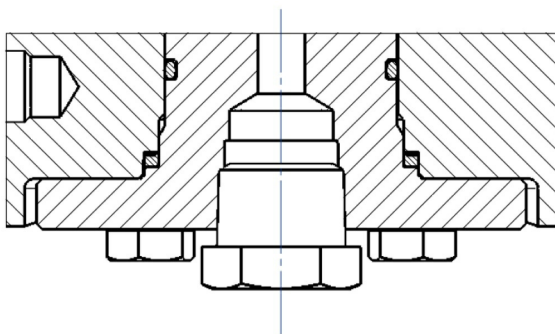


**Accessories**

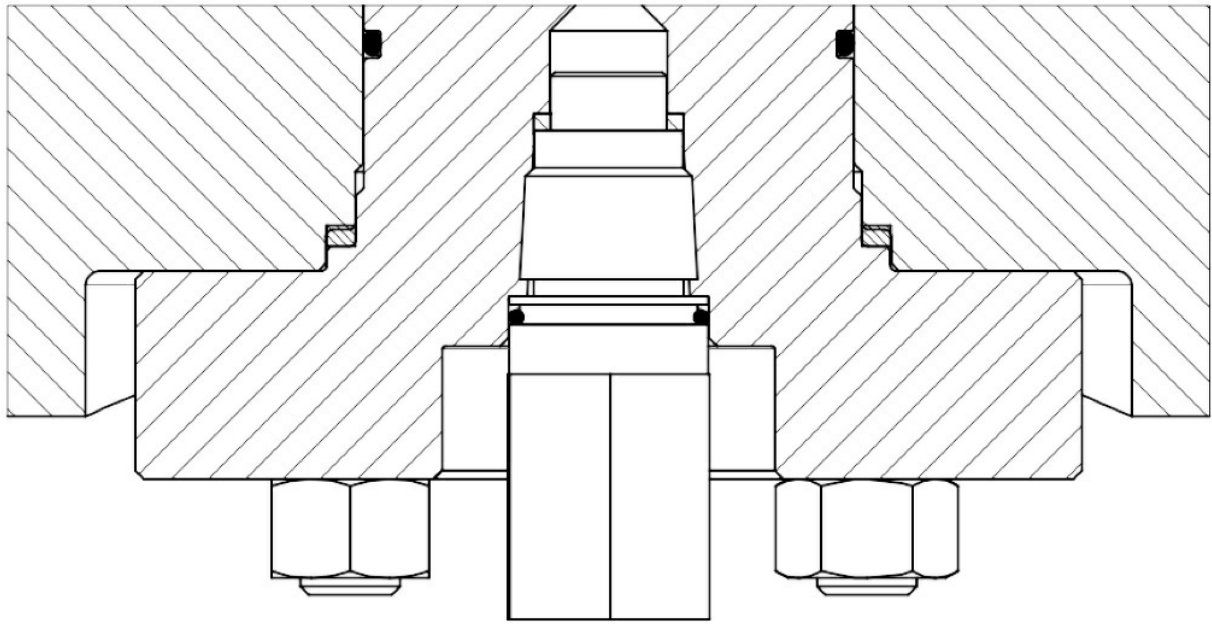
**A. Shaft Stem Injection / Sealant system**



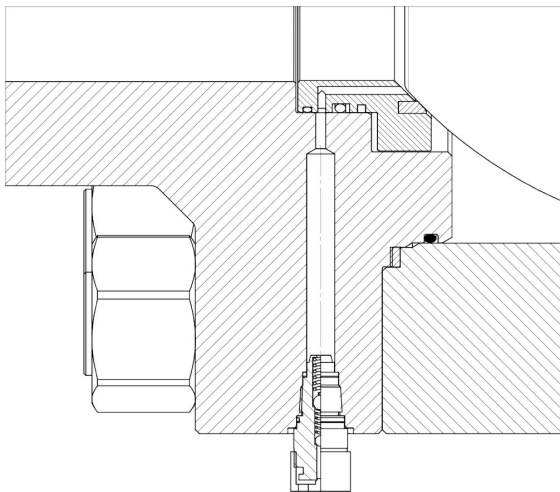
**B. Vent and Drain Plug**



### C. Vent and Drain valves

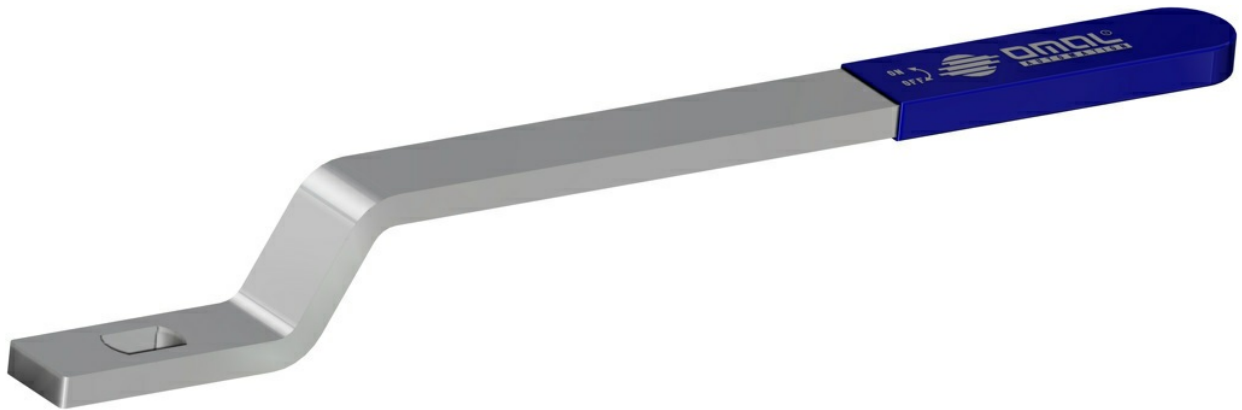


### D. Seat Stem Injection / Sealant system



info drivers

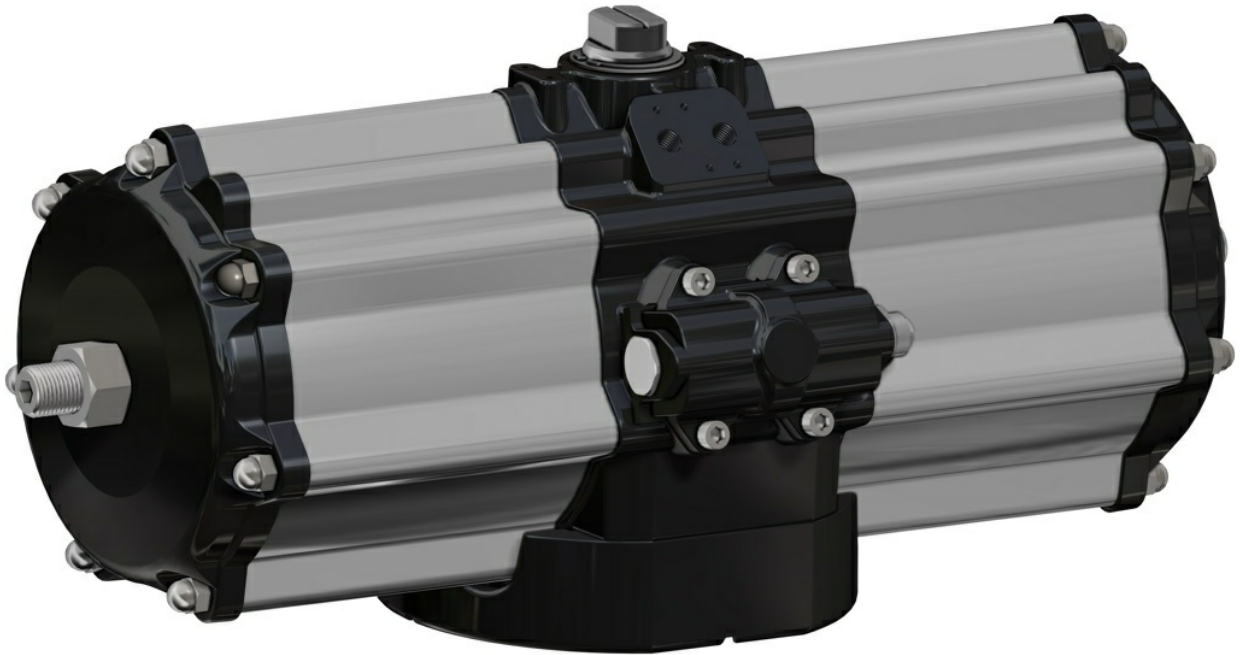
Manual lever



Gear box



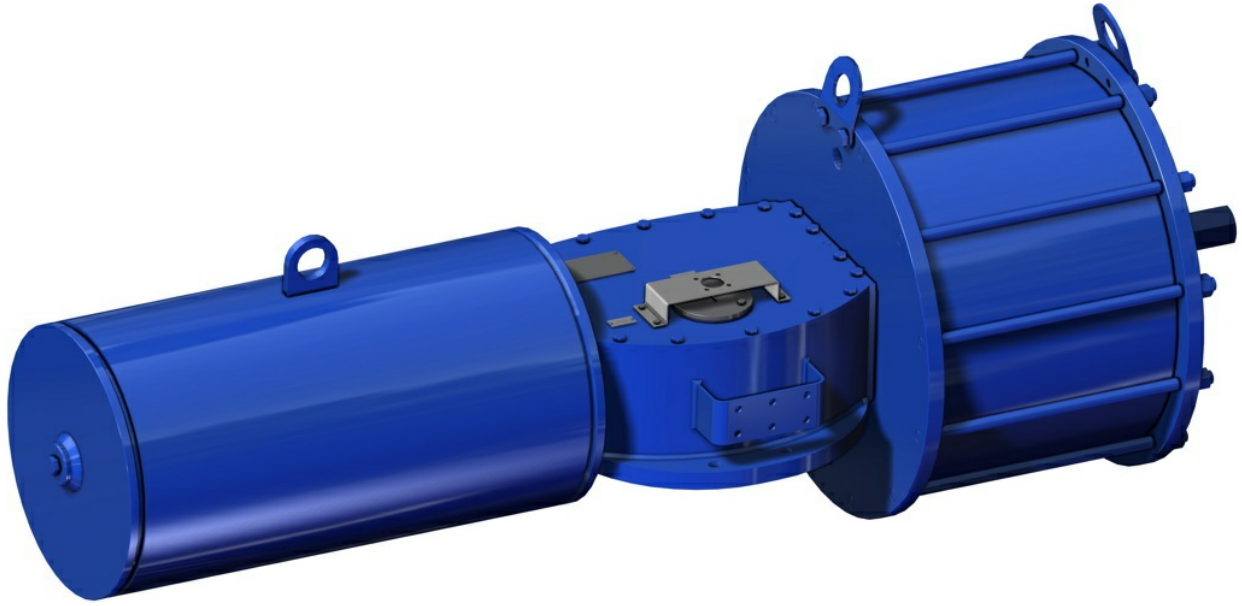
### Pneumatic actuator



### Pneumatic actuator with integrated handwheel



**Heavy duty pneumatic actuator**



## documents

### Certificati

ATEX - Ball Valves

PED

FUGITIVE EMISSION 063579 - 727 FKM

FUGITIVE EMISSION 063579 - 728 HNBR

FIRE SAFE - 063579-581 DN50 FB CL600 A105

FIRE SAFE - 063579-582 DN50 FB CL600 316

FIRE SAFE - 063579-583 DN50 FB CL1500 A105

FIRE SAFE - 063579-319 DN150RB PN16-40 CL150-300 A105

FIRE SAFE - 063579-320 DN200 AND LARGER PN16-40 CL150-300 A105

FIRE SAFE - 063579-450 DN 150-300 CL150-300 PN16-40 A105

FIRE SAFE - 063579-451 DN150-300-CL150-300-PN16-40 316

FIRE SAFE - 063579-452 DN150-300-CL600-900-PN100-150 A105

FIRE SAFE - 063579-453 DN100-150RB-CL600-900-PN100-150 A105

FIRE SAFE - 063579-584 DN50 FB CL1500 316

FIRE SAFE - 063579-585 DN50 FB CL.150 A105

FIRE SAFE - 063579-586 DN50 FB CL.150 316

SIL IEC 61508 - SUPREME

API Licence number 6D-1007

UKCA

### Manuali

MANUALE UMAH1000