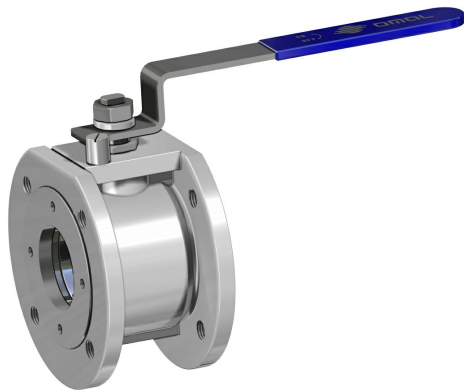


STARK Wafer PN 16-40 stainless steel ball valve

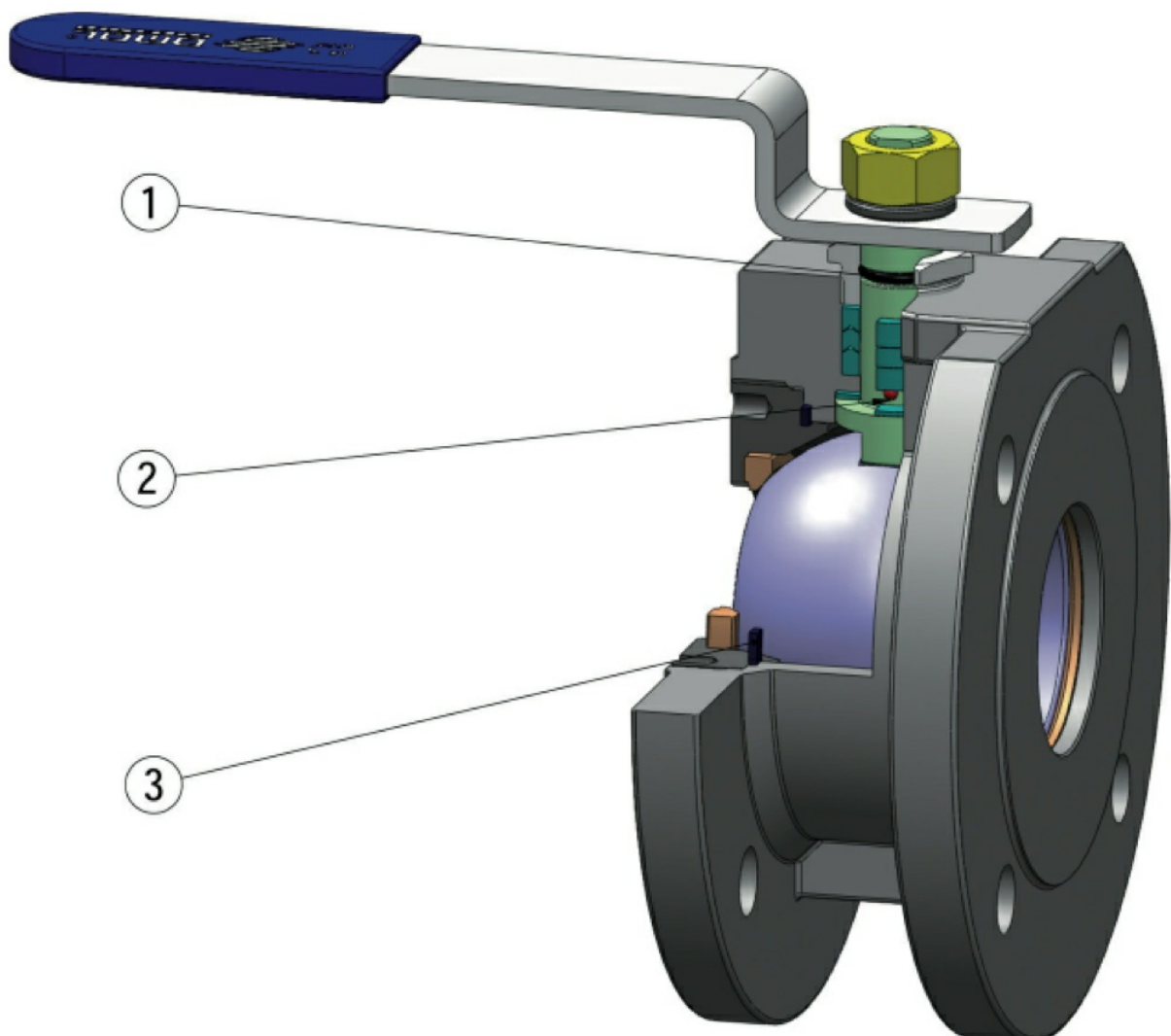


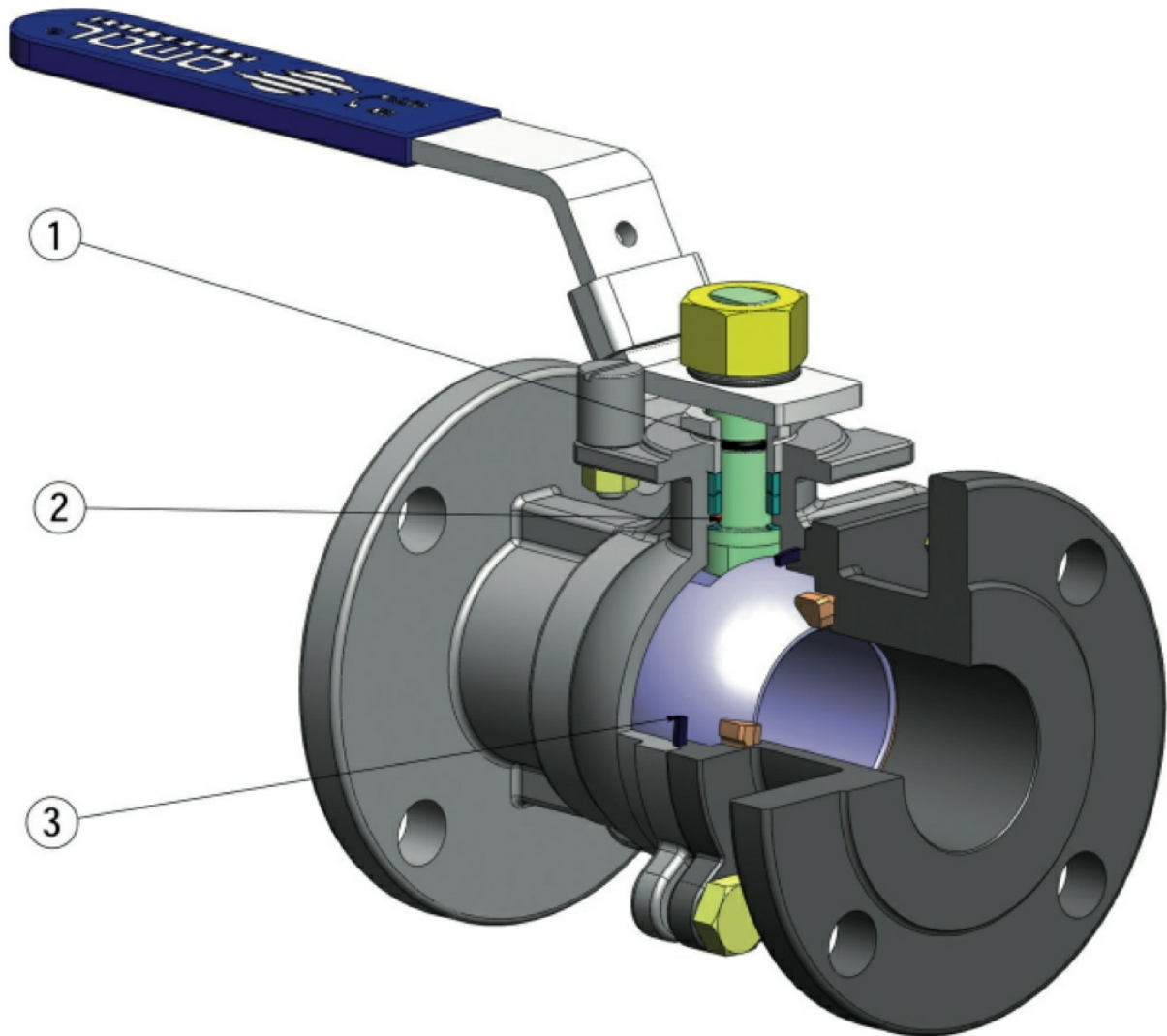
Macro Ball valves

Category STARK & SPARTAN

Subcategory STARK Wafer PN 16-40

benefits





1. Additional Oring on the stem

To grant additional tightness towards outside

2. Antistatic device (electrical continuity between ball, stem and body)

Static electricity is avoided which can cause sparks and fire in an inflammable/ explosive environment
Safety of the contact is granted throughout the entire life of the valve

3. Stretch Graphite seal

Tightness towards outside is granted, independently by the thermal excursions to which the valve is subjected

CASTED line

Lighter Weight

"Fire safe" Certificate

Guarantees the tightness of the valve also in case of fire

ATEX Certificate

Installation is possible in a potential explosive environment

PED Certificate

Compliance with European Safety Standards for Pressure Equipment

features

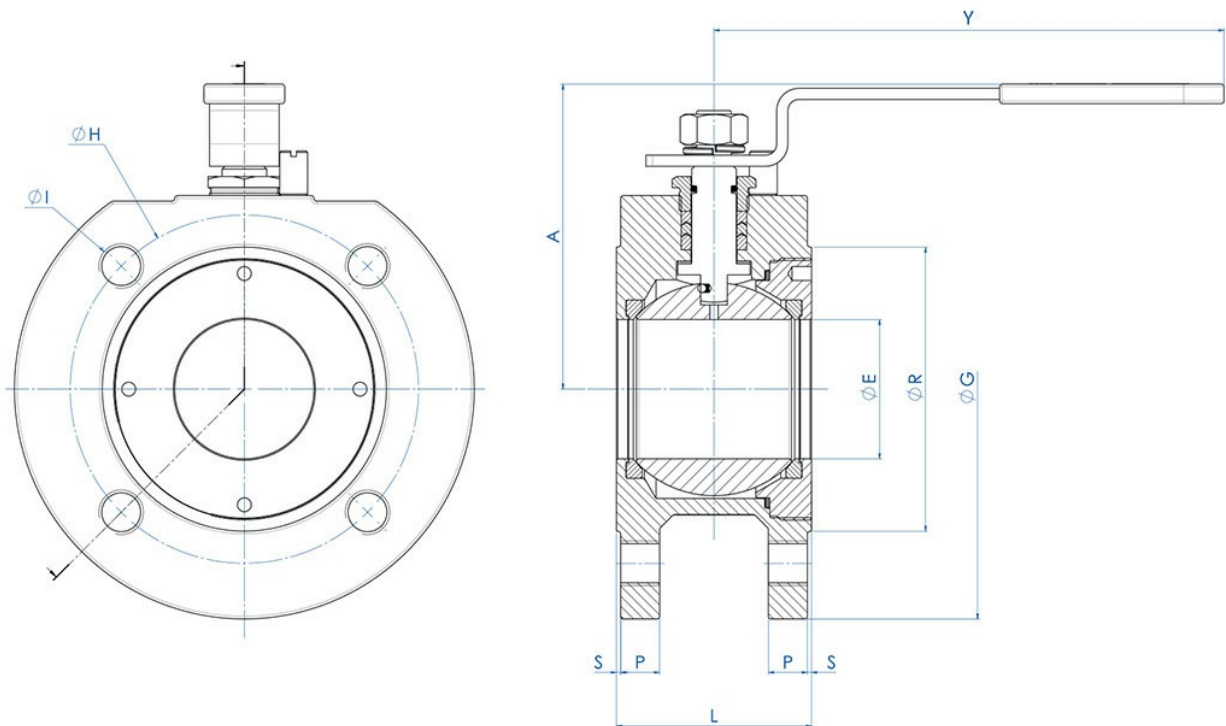
STANDARD FEATURES

- Floating ball, full bore
- Soft-seat seal: PTFE+15% glass filled
- Standard for connecting flanges: EN 1092-1;
- Operating temperature: -20°C / +150°C
- Pressure class: PN16-40
- Intercepted fluid: air, water, gas, petroleum and petrochemical products, aggressive fluids
- Antistatic device EN12266-2
- Stem seal: PTFE V-pack
- Additional seal on stem with FKM O-ring
- Anti Blow-out stem

CERTIFICATIONS

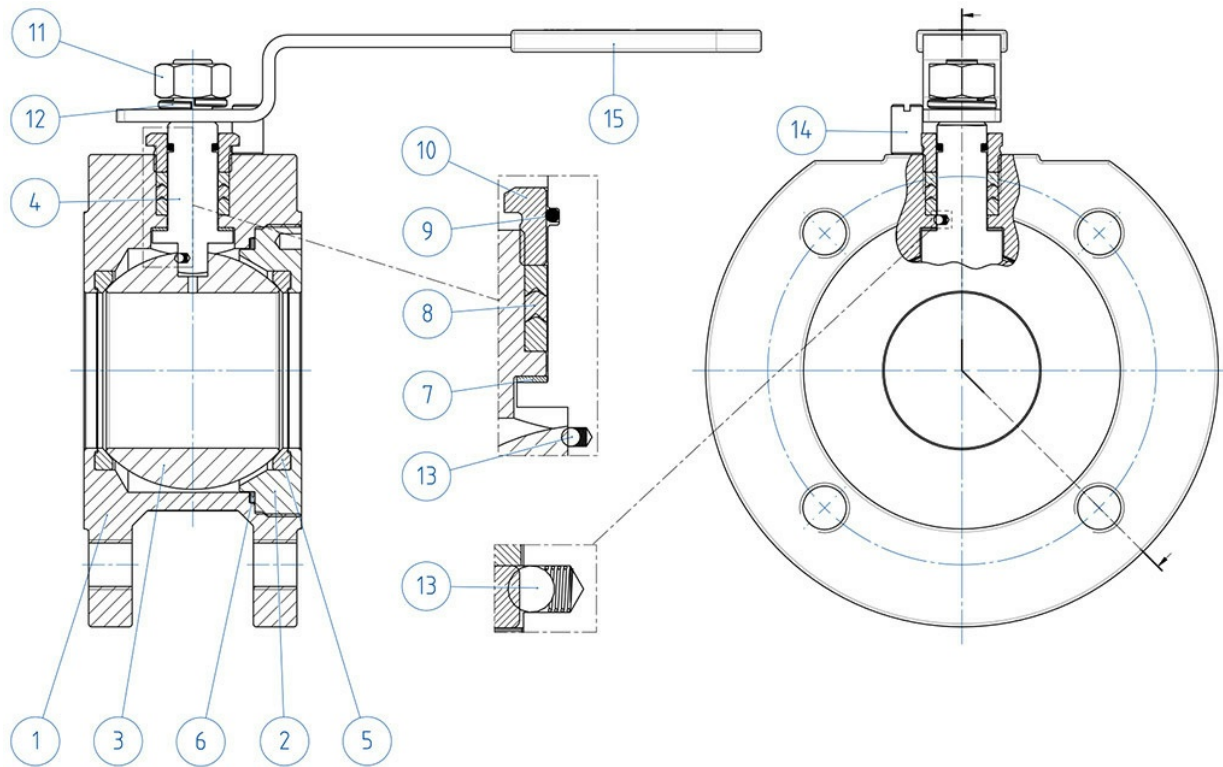
- In compliance with European Directive 2014/68/UE PED;
- In compliance with ATEX 2014/34/EU Directive
- FIRE SAFE: API 607 - EN ISO 10497

dimensions



DIMENSIONS AND CODES

SIZE		PN	Code Carbon Steel A216 WCB	Codice Code Stainless steel CF8M	ØE	A	Y	ØG	ØR	S	P	ØH	N° Holes	ØI	Kg	L
DN [mm]	[inch]															
DN 15	1/2"	PN16-40	LST04F00CC	LST04F00AE	15	70	153	88	45	1	6	65	4	M12	1,2	36
DN 20	3/4"	PN16-40	LST05F00CC	LST05F00AE	20	70	153	98	58	1	6	75	4	M12	1,4	38
DN 25	1"	PN16-40	LST06F00CC	LST06F00AE	25	80	152,5	108	68	1,75	7	85	4	M12	2	43
DN 32	1" 1/4	PN16-40	LST07F00CC	LST07F00AE	32	87	152,5	128	78	1,5	7	100	4	M16	2,9	51
DN 40	1" 1/2	PN16-40	LST08F00CC	LST08F00AE	38	102	181	150	88	1,5	13	110	4	M16	4,4	63
DN 50	2"	PN16-40	LST09F00CC	LST09F00AE	50	108	181	165	102	1,5	14	125	4	M16	5,5	70
DN 65	2" 1/2	PN10-16	LST10E00CC	LST10E00AE	65	143	287,5	186	123	1,5	13,5	145	4	M16	10,1	107
DN 80	3"	PN16-40	LST11F00CC	LST11F00AE	76	152	287,5	200	138	3	21	160	8	M16	13	120
DN100	4"	PN10-16	LST12E00CC	LST12E00AE	96	168	322	220	158	2,5	17	180	8	M16	19,7	152

materials

MATERIALS - B.O.M

N°	Description	Carbon Steel version	Stainless Steel version
1	Body	ASTM A216 WCB	ASTM A351 CF8M (1.4408/GX5CrNiMo19-12-2)
2	Ring nut		
3	Ball	ASTM A351 CF8M (1.4408/GX5CrNiMo19-12-2)	ASTM A351 CF8M (1.4408/GX5CrNiMo19-12-2)
4	Stem	ASTM A276 316	ASTM A276 316
5	Seats	PTFE + 15% GLASS FILLED	PTFE + 15% GLASS FILLED
6	Body-connector gasket	GRAPHITE	GRAPHITE
7	Stem lower sealing	PTFE	PTFE
8	Chevron pack		
9	Stem o-ring	FKM	FKM
10	Gland Nut	304 s.s.	304 s.s.
11	Stem Nut		
12	Grower Spring lock washer		
13	Antistatic device	STAINLESS STEEL	STAINLESS STEEL
14	Stop pin	304 s.s.	304 s.s.
15	Leva Lever	STAINLESS STEEL	STAINLESS STEEL

documents

Certificates

[ATEX - Ball Valves](#)

[EAC TR CU 012/2011 - EX](#)

[EAC TR CU 010/2011 - Ball Valves LST-LSP-424](#)

[EAC TR CU 032/2013 - Ball Valves LST-LSP-424](#)

[PED](#)

Instructions

[ISTRUZIONI ATEX 8_0486](#)