

RP - Double acting DA

Macro DA & SR Pneumatic Actuators

Category Rack & Pinion pneumatic actuators - RP



features

TECHNICAL FEATURES

- Torque from 10 Nm to 474 Nm.
- Mounting flange according to EN ISO 5211: F03 - F04 - F05 - F07 - F10 - F12.
- In accordance with EN 15714-3.
- In conformity with directive ATEX 2014/34/EU.
- Rotation angle: 100° (-5°, +95°).
- Double adjusting +5° and -5° for each end position (0° and 90°).
- Torque: directly proportional to the air supply (see table).
- The code numbers after the RK letters, always correspond to the torque in Nm by 5,6 bar air supply.

WORKING CONDITIONS

- Standard temperature range: -20°C +80°C.
- Special versions:
 - high temperature: -20°C +150°C.
 - low temperature: -50°C +60°C.
- Nominal pressure: 5.5 bar; maximum operating pressure 8 bar.
- Operating medium: filtered compressed air, no lubrication needed according to UNI EN 15714-3:2009.
- In case of lubrication, use non-detergent oil, compatible with the internal seals.

SPECIAL VERSION ON REQUEST, CODING KEY

CHARACTERISTIC		
Actuator Type	RK	
Size	0010, 0020, 0040, 0060, 0080, 00120, 00160, 0240, 0300, 0480	
Customer	VO	ACTUATECH
Rotation Angle [°]	A	90°
	B*	180°
	C*	120°
	D*	135°
Rotation direction	R	Clockwise rotation
	L	Counter-clockwise rotation
Functioning configuration	S	Spring Return N.C.
	O	Spring Return N.O.
	D	Double Acting
Springs	00	No springs
	20	Springs 2,0 bar
	25	Springs 2,5 bar
	30	Springs 3,0 bar
	35	Springs 3,5 bar
	40	Springs 4,0 bar
	45	Springs 4,5 bar
	50	Springs 5,0 bar
	55	Springs 5,5 bar
Flange or smaller flange in case of double flange available	03	F03
	04	F04
	05	F05
	07	F07
	10	F10
	12	F12
Shaft shape	Q	Star shaft
	D*	Flat head shaft
Shaft dimension	09	Shaft dimension 9 mm
	11	Shaft dimension 11 mm
	14	Shaft dimension 14 mm
	17	Shaft dimension 17 mm
	22	Shaft dimension 22 mm
	27	Shaft dimension 27 mm
Air connection	G	Namur plate GAS
	N	Namur plate NPT
	0	Gas Thread on the cylinder (no Namur interface)
	I	Namur interface, integrated Gas threads
Version	-	Standard
	6*	Low temperature
	4*	High temperature

* Only on request.

N.B. For special versions contact ACTUATECH.

CODING EXAMPLE FOR RACKON

Product Code: **RK0040VOARD0005Q1IG**

Product description: RACKON 40 PNEUMATIC ACTUATOR DOUBLE ACTING ISO F05 07 STAR SHAFT 11mm WITH GAS NAMUR PLATE.

Product Code: [RK0300VOARD0007Q22I](#)

Product description: RACKON 300 PNEUMATIC ACTUATOR DOUBLE ACTING ISO F07 10 STAR SHAFT 22mm NAMUR GAS INTERFACE INTEGRATED ON BODY.

Product Code: [RK0040VOARS6005Q11G](#)

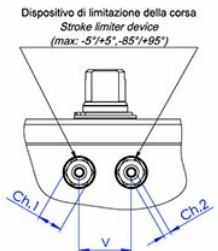
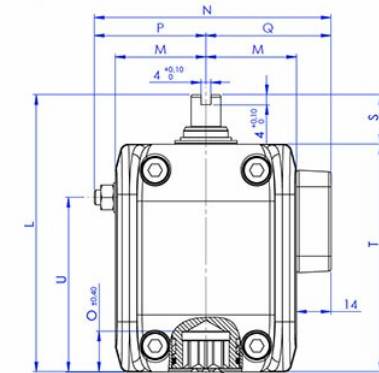
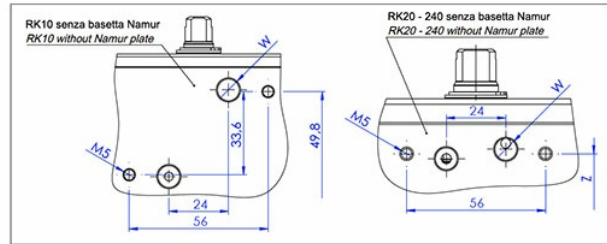
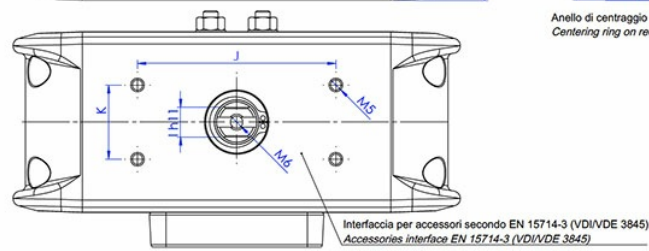
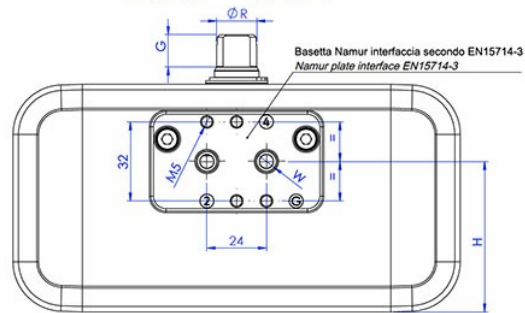
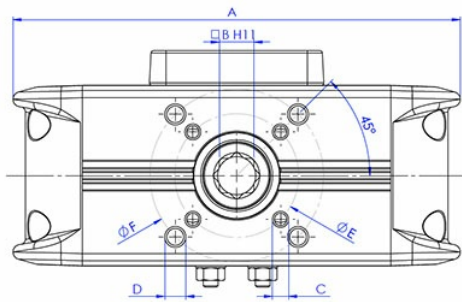
Product description: RACKON 40 PNEUMATIC ACTUATOR SPRING RETURN 6BAR ISO F05 07 STAR SHAFT 11mm WITH GAS NAMUR PLATE.

Product Code: [RK0300VOARS6007Q22I](#)

Product description: RACKON 300 PNEUMATIC ACTUATOR SPRING RETURN 6BAR ISO F07 10 STAR SHAFT 22mm NAMUR GAS INTERFACE INTEGRATED ON BODY.

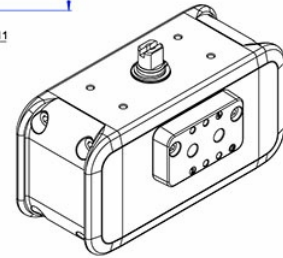
dimensions

RK10 ÷ RK240



Anello di centraggio a richiesta
Centering ring on request

EN ISO 5211

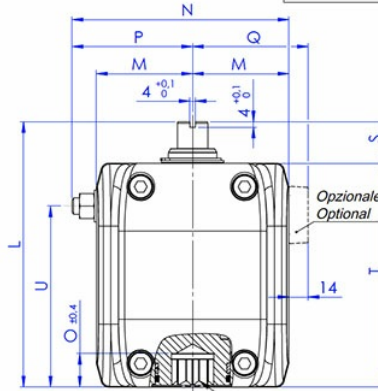
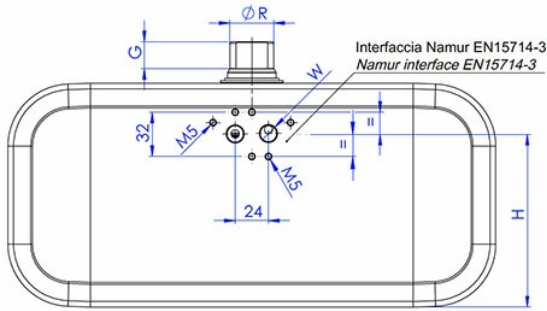
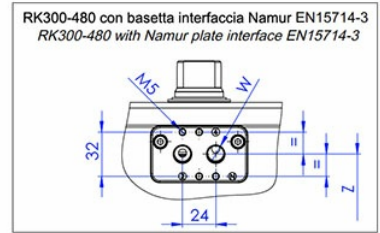
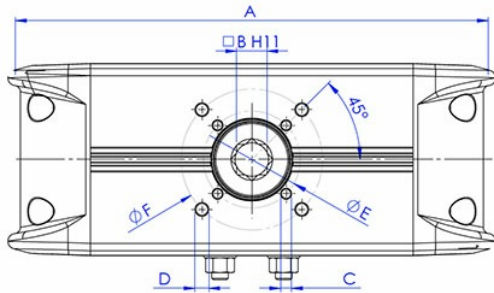


DIMENSIONS [mm]															
Size	RK10	RK10	RK20	RK20	RK20	RK20	RK40	RK40	RK40	RK40	RK60	RK80	RK120	RK160	RK240
ISO	F03	F04	F03/F05	F03/F05	F04	F04	F04	F04	F05/F07	F05/F07	F05/F07	F05/F07	F05/F07	F07/F10	F07/F10
A	121,7	121,7	153,7	153,7	153,7	153,7	180,4	180,4	180,4	180,4	215,4	235,5	265,9	285,9	318,4
B	9	9	9	11	9	11	11	14	11	14	14	17	17	22	22
C x depth	M5x8	M5x8	M5x8	M5x8	M5x8	M5x8	M5x8	M5x8	M6x9	M6x9	M6x9	M6x9	M6x9	M8x12	M8x12
D x depth	-	-	M6x9	M6x9	-	-	-	-	M8x12	M8x12	M8x12	M8x12	M8x12	M10x15	M10x15
E	36	42	36	36	42	42	42	42	50	50	50	50	50	70	70
F	-	-	50	50	-	-	-	-	70	70	70	70	70	102	102
G	10	10	10	10	10	10	13	13	13	13	13	13	13	13	19,5
H	33	33	50,9	50,9	50,9	50,9	60,8	60,8	60,8	60,8	68,7	75,6	87,6	97,5	112
I	9	9	9	9	9	9	12	12	12	12	12	15	15	19	22
J	50	50	80	80	80	80	80	80	80	80	80	80	80	80	80
K	25	25	30	30	30	30	30	30	30	30	30	30	30	30	30
L	80	80	100	100	100	100	112	112	112	112	122	130	143	154	180
M	24,5	24,5	30	30	30	30	36,5	36,5	36,5	36,5	41,5	46	51	56,5	64
N	71*	71*	82,5*	82,5*	82,5*	82,5*	95,5*	95,5*	95,5*	95,5*	107,8*	116,5*	127*	141*	159*
O	10,7	10,7	13,2	13,2	13,2	13,2	16,5	16,5	16,5	16,5	16,5	19,3	19,3	24,3	24,3
P	32,5*	32,5*	38,5*	38,5*	38,5*	38,5*	45*	45*	45*	45*	52,3*	56,5*	62*	70,5*	81*
Q	38,5	38,5	44	44	44	44	50,5	50,5	50,5	50,5	55,5	60	65	70,5	78
R	10,9	10,9	12,7	12,7	12,7	12,7	16,2	16,2	16,2	16,2	18	20,2	22,5	25,5	31,8
S	15	15	20	20	20	20	20	20	20	20	20	20	20	20	30
T	65	65	80	80	80	80	92	92	92	92	102	110	123	134	150
U	49	49	59,75	59,75	59,75	59,75	70,5	70,5	70,5	70,5	70,5	86	97,75	106,25	120,5
V	16	16	19	19	19	19	21	21	21	21	24	26	32	36	41
W standard (GAS)	1/8"	1/8"	1/8"	1/8"	1/8"	1/8"	1/8"	1/8"	1/8"	1/8"	1/8"	1/8"	1/4"	1/4"	1/4"
W special (NPT)	1/8"-27	1/8"-27	1/8"-27	1/8"-27	1/8"-27	1/8"-27	1/8"-27	1/8"-27	1/8"-27	1/8"-27	1/8"-27	1/8"-27	1/4"-18	1/4"-18	1/4"-18
Ch.1	10	10	10	10	10	10	10	10	10	10	13	13	13	16	18
Ch.2	3	3	3	3	3	3	3	3	3	3	4	4	4	5	6
Weight (kg)	0,9	0,9	1,4	1,4	1,4	1,4	2,1	2,1	2,1	2,1	2,9	3,7	5,1	6,5	9
Air (dm³/cycle)	0,12	0,12	0,25	0,25	0,25	0,25	0,48	0,48	0,48	0,48	0,75	1,04	1,48	1,99	2,91
Z	49,8	49,8	59,9	59,9	59,9	59,9	69,8	69,8	69,8	69,8	77,7	84,6	96,6	106,6	121
W	1/8"	1/8"	1/8"	1/8"	1/8"	1/8"	1/8"	1/8"	1/8"	1/8"	1/8"	1/8"	1/4"	1/4"	1/4"

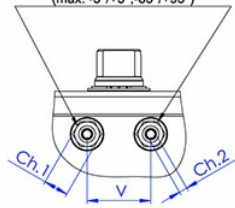
H = CENTER OF PLATE'S FIXING.

* Variable according to adjustment.

RK300 ÷ RK480

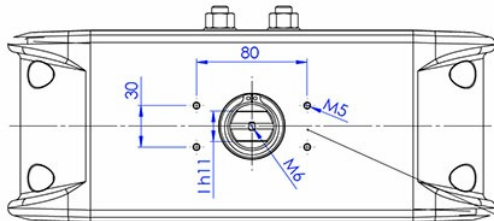


Dispositivo di limitazione della corsa
Stroke limiter device
(max: -5°/+5°, -85°/+85°)

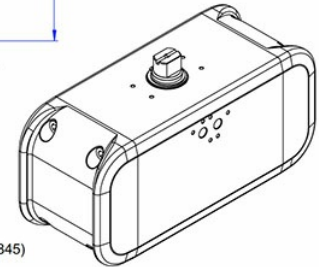


Anello di centraggio a richiesta
Centering ring on request

EN ISO 5211



Interfaccia per accessori secondo EN 15714-3 (VDI/VDE 3845)
Accessories interface EN 15714-3 (VDI/VDE 3845)

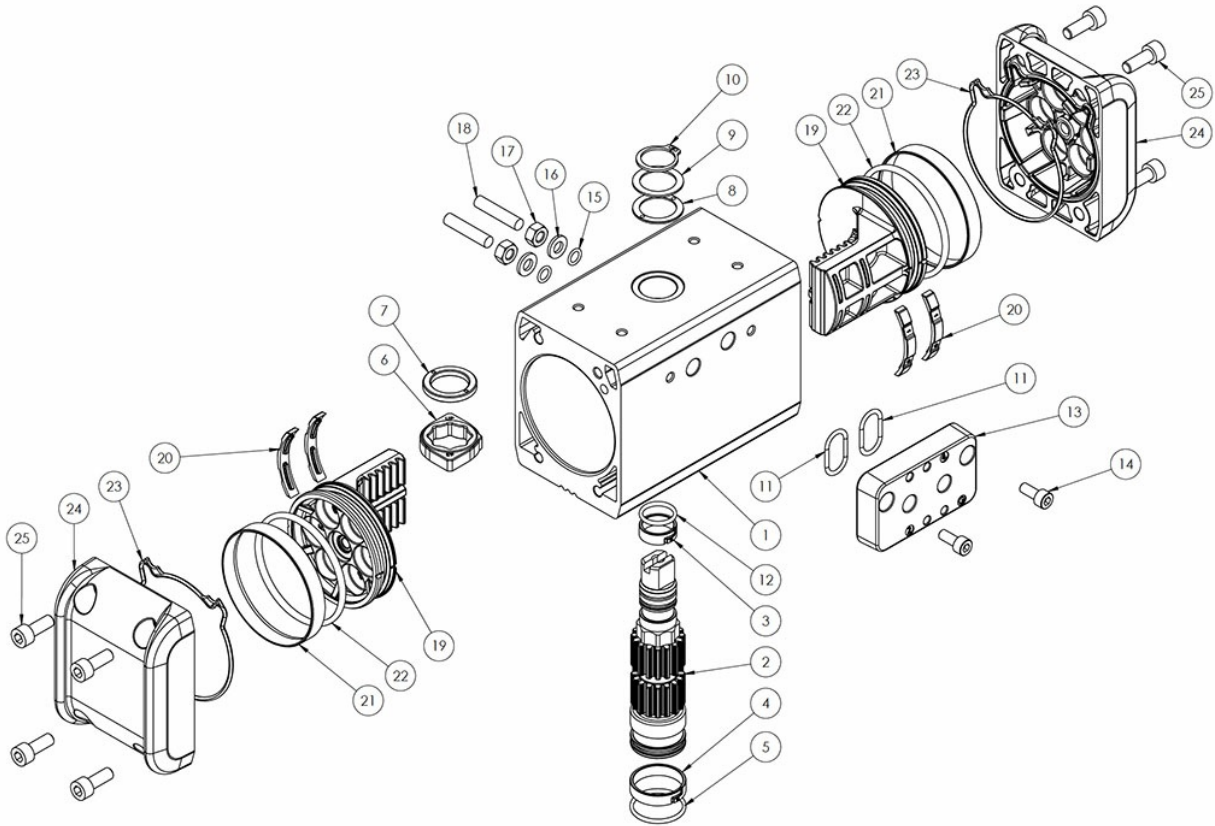


DIMENSIONS [mm]		
Size	RK300	RK480
ISO	F07/F10	F10/F12
A	352,4	393,4
B	22	27
C x depth	M8x12	M10x15
D x depth	M10x15	M12x18
E	70	102
F	102	125
G	19,5	19,5
H	125	145
I	22	27
L	192	214
M	69,5	80
N	156,5*	180*
O	24,3	29,5
P	87*	100*
Q	83,5	94
R	31,8	38
S	30	30
T	162	184
U	131	149,5
V	46	52
W standard (GAS)	1/4"	1/4"
W special (NPT)	1/4"-18	1/4"-18
Ch.1	18	21
Ch.2	6	6
Weight (kg)	11,4	16,3
Air (dm³/cycle)	3,77	5,8
Z	124,5	144,5
W	1/4"	1/4"

H = CENTER OF PLATE'S FIXING.

* Variable according to adjustment.

RK10 ÷ RK480



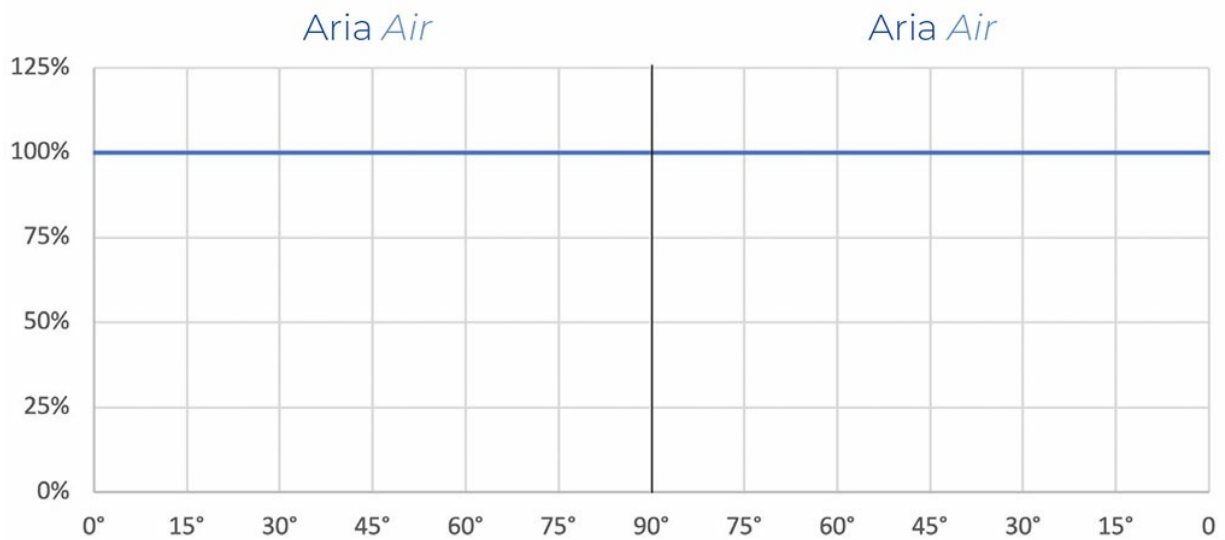
MATERIALS			
Pos.	Description	Q.ty	Material
1	Cylinder	1	Aluminium alloy
2	Shaft	1	Steel alloy
3*	Slide ring (upper shaft support)	1	Acetalic resins
4*	Slide ring (lower shaft support)	1	Acetalic resins
5*	O-Ring (lower shaft sealing)	1	Nitrilic rubber
6	Cam	1	Steel alloy
7*	Internal support ring	1	Acetalic resins
8*	External support ring	1	Acetalic resins
9	Washer	1	Stainless steel
10*	Seeger	1	Stainless steel
11*	O-ring**	2	Nitrilic rubber
12*	O-ring (upper sealing shaft)	1	Nitrilic rubber
13	Namur plate**	1	Aluminium alloy
14	Screws**	2	Stainless steel
15*	O-ring	2	Nitrilic rubber
16*	Washer (limit stroke)	2	Stainless steel
17*	Hexagon nut (limit stroke)	2	Stainless steel
18*	Grub screw (limit stroke)	2	Stainless steel
19	Piston	2	Aluminium alloy
20*	Piston support leg	4	Acetalic resins
21*	Dynamic seal	2	Polyurethan
22*	O-ring	2	Nitrilic rubber
23*	End-cap O-ring	2	Nitrilic rubber
24	Cap	2	Aluminium alloy
25	Screws	8	Stainless steel

* Components of spare part kit.

** Not present for some models, see code table.

diagrams and breakaway torque

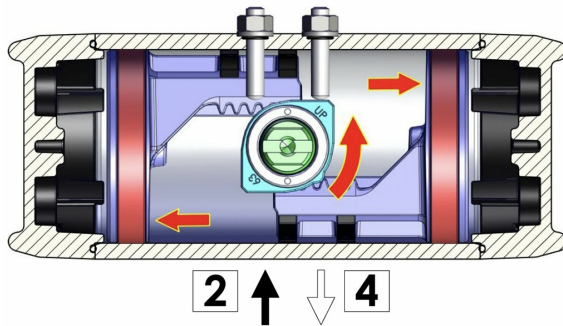
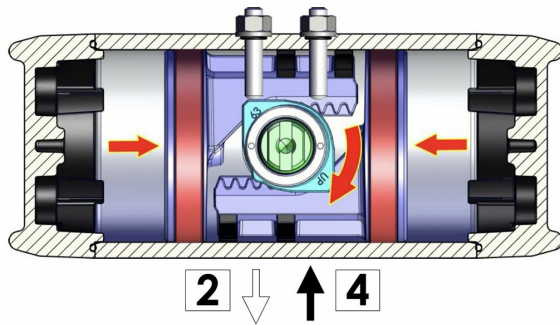
"GD" OUTPUT TORQUE DIAGRAM (Nm)



RACKON "GD" OUTPUT TORQUE TABLE (Nm)												
Size	Air bar											
	2 bar	2,5 bar	3 bar	3,5 bar	4 bar	4,5 bar	5 bar	5,5 bar	5,6 bar	6 bar	7 bar	8 bar
RK10	3,7	4,7	5,6	6,6	7,5	8,4	9,4	10,3	10,5	11,2	13,1	15,0
RK20	7,3	9,1	11,0	12,8	14,6	16,4	18,3	20,1	20,5	21,9	25,6	29,2
RK40	13,9	17,4	20,9	24,4	27,9	31,3	34,8	38,3	39,0	41,8	48,7	55,7
RK60	21,2	26,5	31,9	37,2	42,5	47,8	53,1	58,4	59,5	63,7	74,3	84,9
RK80	30,0	37,5	44,9	52,4	59,9	67,4	74,9	82,4	83,9	89,9	104,9	119,9
RK120	42,7	53,4	64,0	74,7	85,4	96,1	106,7	117,4	119,5	128,1	149,4	170,8
RK160	58,5	73,2	87,8	102,5	117,1	131,7	146,4	161,0	163,9	175,6	204,9	234,2
RK240	85,2	106,5	127,8	149,1	170,4	191,7	213,0	234,3	238,6	255,6	298,2	340,8
RK300	109,8	137,2	164,7	192,1	219,6	247,0	274,5	301,9	307,4	329,3	384,2	439,1
RK480	172,4	215,5	258,5	301,6	344,7	387,8	430,9	474,0	482,6	517,1	603,3	689,5

For output torque at different pressures contact ACTUATECH.

DOUBLE ACTING ACTUATOR WORKING PLANE



WORKING PLANE

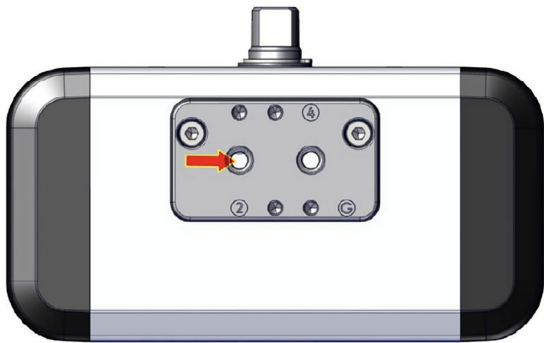
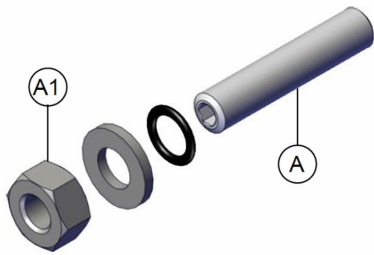
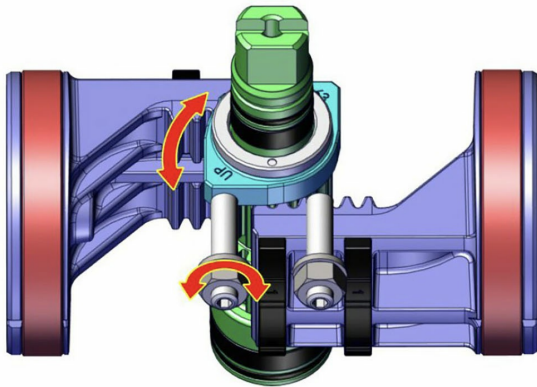
Supplying air through the air connection 4, the pistons move towards the center and shaft rotate in a clockwise direction. The above drawing shows the final position.

WORKING PLANE

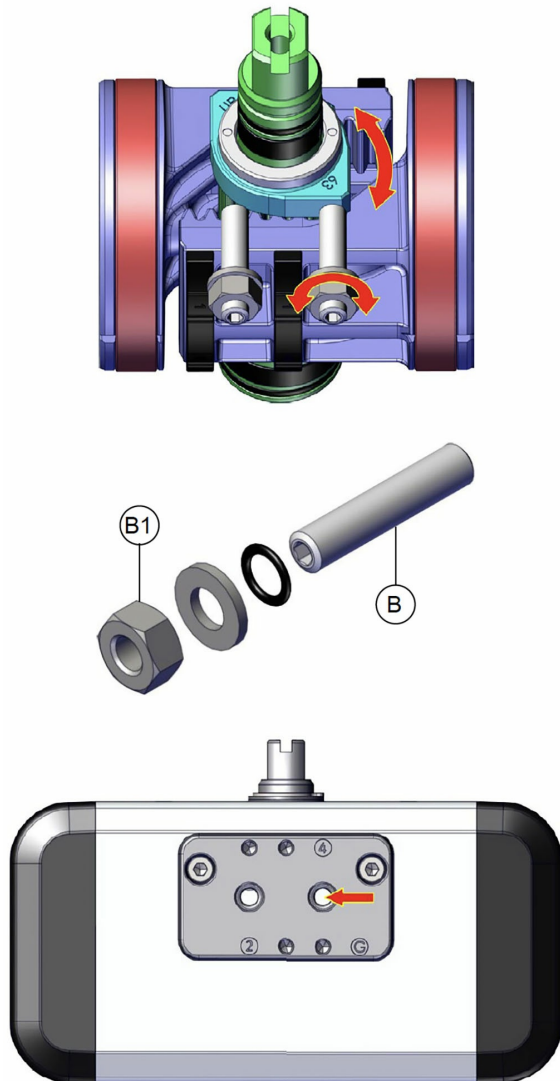
Supplying air through the air connection 2, the pistons move outwards the center and shaft rotate in a counter-clockwise direction. The above drawing shows the final position.

INSTRUCTIONS FOR ADJUSTING THE STROKE OF THE DOUBLE ACTING ACTUATOR

OPENING ADJUSTMENT



CLOSING ADJUSTMENT



- A) Check that there is no pressurized air in the actuator (in both chambers).
- B) Loosen locknut A1.
- C) Supply air to hole "2" (sufficient only for movement) the pistons will be in the end of stroke.
- D) Screw or unscrew the screw A with an Allen key for the desired adjustment (maximum adjustment range $\pm 5^\circ$).
- E) Once the adjustment has been made, with an Allen key stop the screw A, at the same time with a wrench tighten the locknut A1.

N.B. If necessary, repeat the operations until the desired setting is obtained.

- A) Check that there is no pressurized air in the actuator (in both chambers).
- B) Loosen locknut B1.
- C) Supply air to hole "4" (sufficient only for movement) the pistons will be in the end of stroke.
- D) Screw or unscrew the screw B with an Allen key for the desired adjustment (maximum adjustment range $\pm 5^\circ$).
- E) Once the adjustment has been made, with an Allen key stop the screw B, at the same time with a wrench tighten the locknut B1.

N.B. If necessary, repeat the operations until the desired setting is obtained.

documents

Certificates

[ATEX - Rack & Pinion pneumatic actuators](#)

[SIL3 IEC 61508 - RP](#)

[Grado di protezione IP](#)

Manuals

[MAN81566 Attuatore RP](#)

Instructions

[APRP0521 Instruction RP](#)

Catalogs

[RP ACTUATORS](#)

