

Item 464-465 stainless steel ball valves



Macro Ball valves

Category Other stainless steel ball valves

3 way 4 seals, full-bore stainless steel ball valve, "T" or "L" port, DIN 11851 threaded-ends

ITEM 464
Valve "T" port
ITEM 465
Valve "L" port

features

GENERAL FEATURES:

- The valve is manufactured in 316L stainless steel and suggested for particular hygienic conditions (food industry applications).
- Valve with 4 ball seats. Inlet from any of the 3 ends. It can also shut of the flow.
- Ends: as per DIN 11851 specifications.
- Working temperature: from -20°C to +150°C
- Working pressure: see table.
- Fluid range: food industry.
- ISO 5211 flange connection.
- **The manual version (with lever) doesn't have the ISO 5211 flange connection and its therefore not possible to mount on it any kind of actuators.**

ON REQUEST:

- Connection: SMS - MACON - DIN male.
- Seals made of:

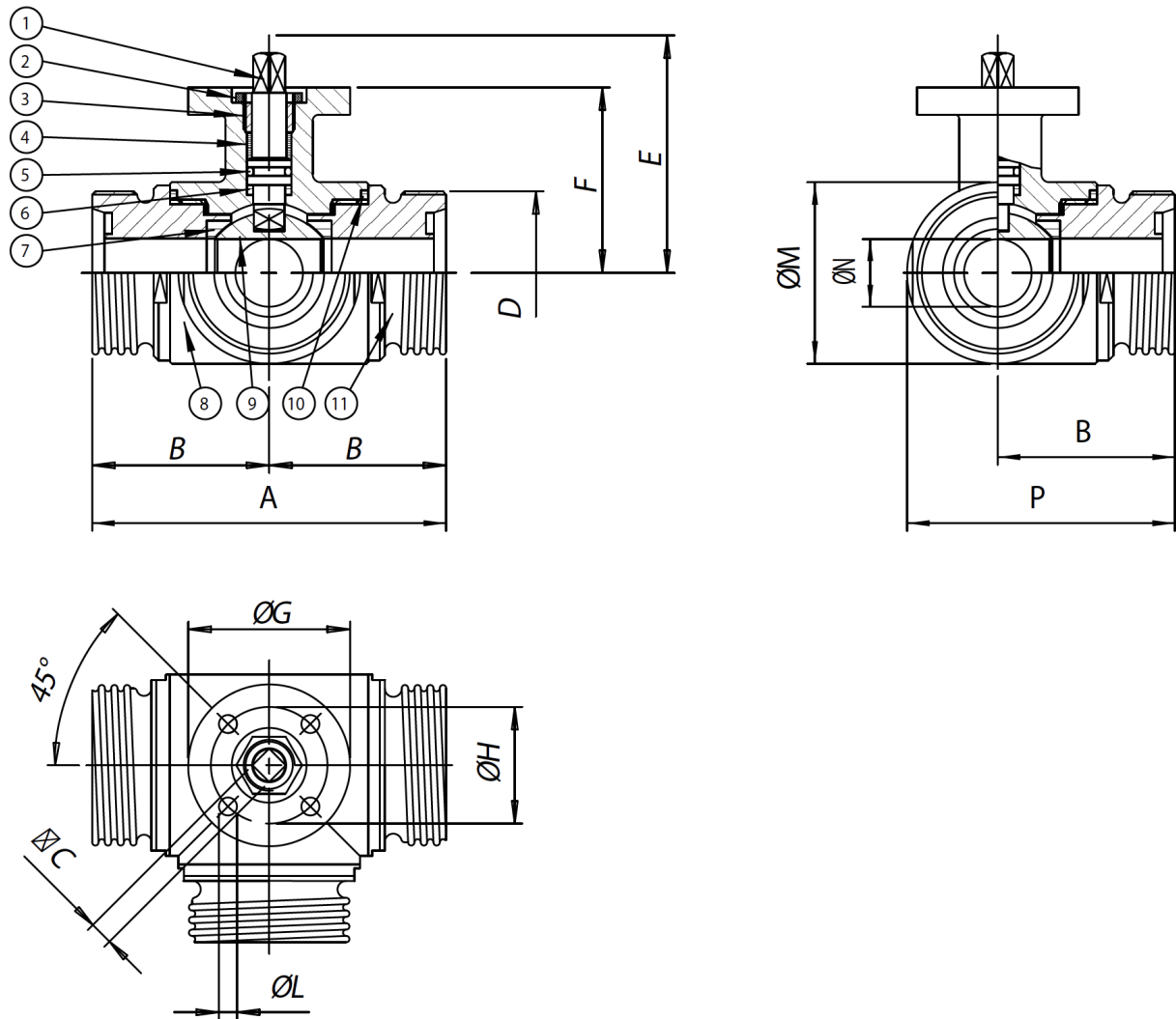
- PTFE glass filled,
- PTFE with carbon graphite,
- High-molecular weight polyethylene.

- For other applications, please contact our sales department.

CERTIFICATIONS:

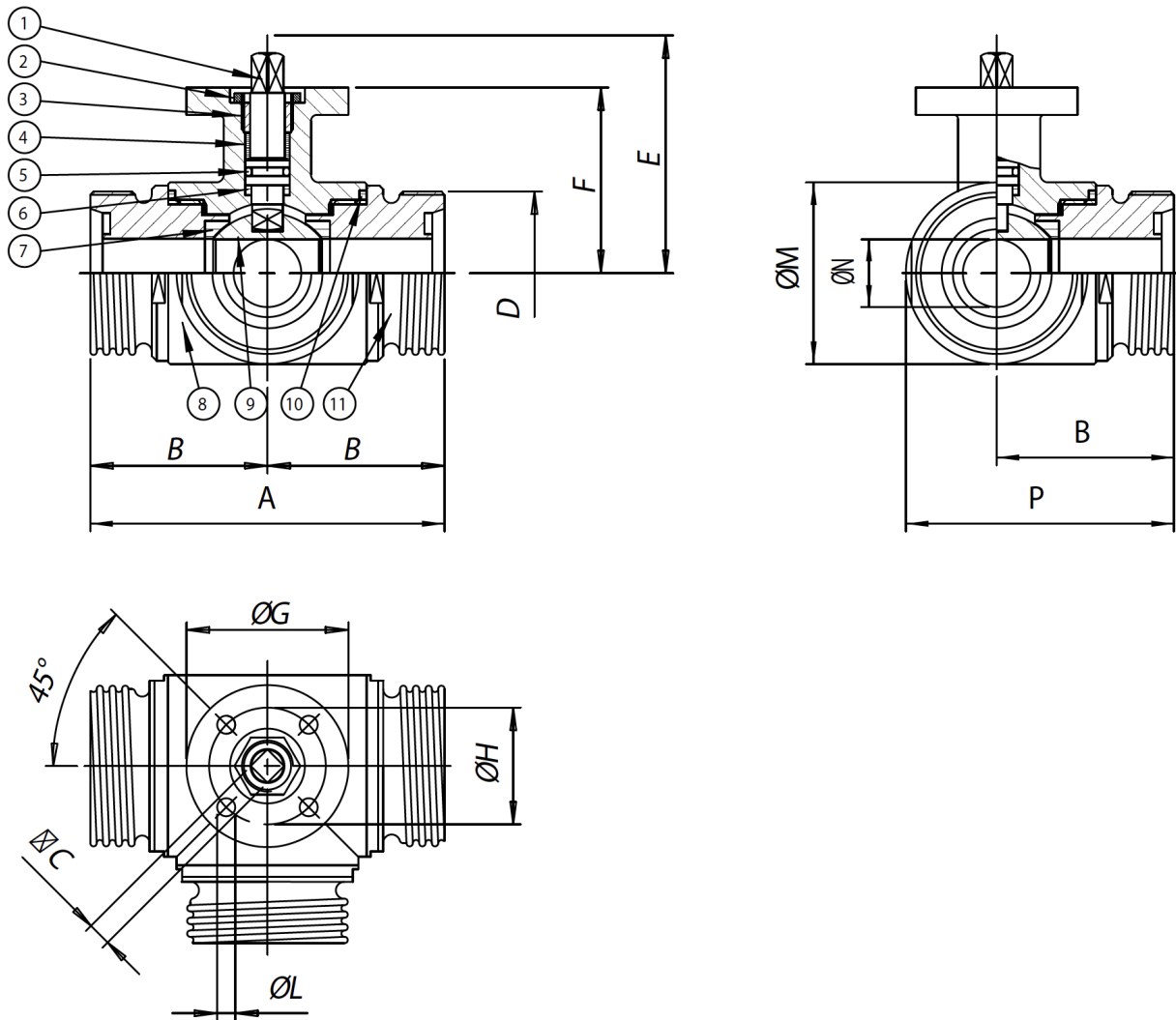
- ATEX version in conformity with European Directive 2014/34/EU.
- ATEX certificate on request.

dimensions



SIZE		DIMENSIONS											
DN [mm]	[inch]	A	B	∅C	D	E	F	∅G	∅H	∅L	∅M	∅N	P
DN 10	3/8"	108	54	6	28	54,5	46,5	46	36	6	45	10	76,5
DN 15	1/2"	118	59	6	34	57	49	54	42	6	52	15	85
DN 20	3/4"	130	65	9	44	69,5	56,5	65	50	7	60	20	95
DN 25	1"	140	70	9	52	74	61	65	50	7	70	25	105
DN 32	1" 1/4	156	78	14	58	94,5	81,5	65	50	7	85	32	120,5
DN 40	1" 1/2	172	86	14	65	102	89	90	70	9	100	40	136
DN 50	2"	182	91	17	78	106,5	91,5	90	70	9	110	50	146
DN 65	2" 1/2	196	98	17	95	116,5	101,5	125	102	11	122	65	159
DN 80	3"	256	128	17	110	134	116	125	102	11	150	80	203
DN 100	4"	286	143	17	130	149	131	125	102	11	192	100	239

materials

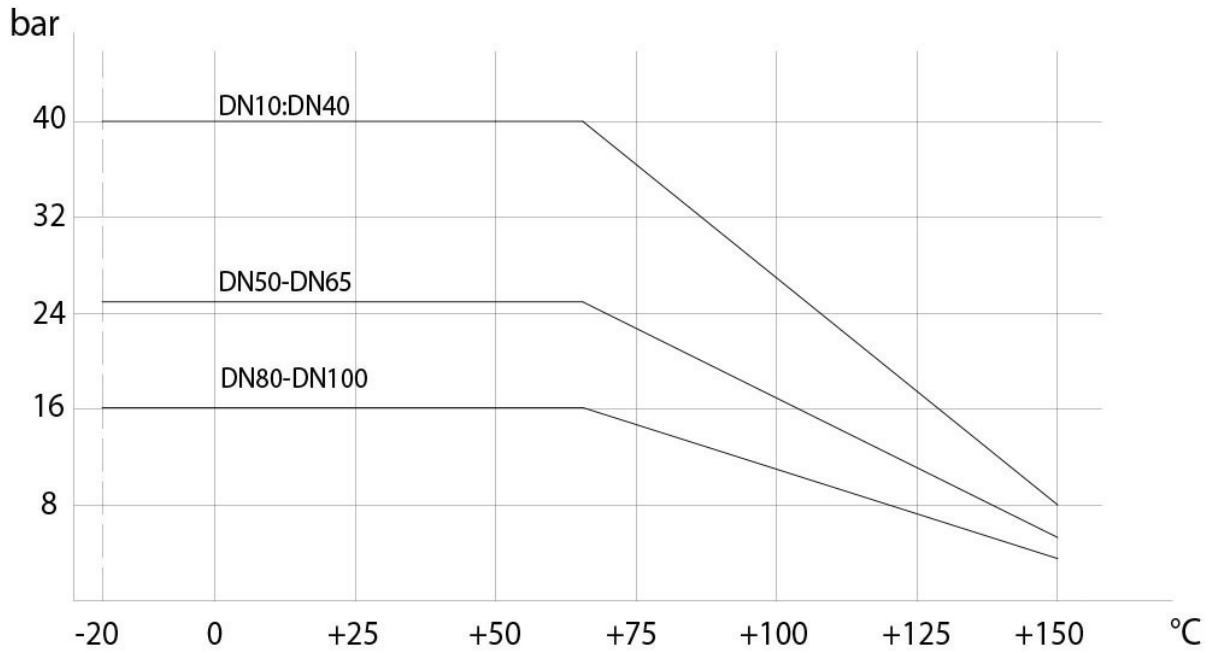


MATERIALS				
1	Shaft	316L S.S.	1.4401	UNI X2CrNiMo 17 12
2	Nut	303 S.S.		
3	Gland nut ring	304L S.S. (303 S.S.)		
4*	Top tight ring	P.T.F.E.		
5*	Shaft o-ring	FKM		
6*	Washer	P.T.F.E.		
7*	Seals	P.T.F.E.		
8	Body	316L S.S.	1.4401	UNI X2CrNiMo 17 12
9	Ball	316L S.S.	1.4401	UNI X2CrNiMo 17 12
10*	End sealings	P.T.F.E.		
11	End	316L S.S.	1.4401	UNI X2CrNiMo 17 12

* Components of spare part kit KGBV48...

diagrams and breakaway torque

Pressure/temperature diagram



BREAKAWAY TORQUES Nm										
SIZE	DN 10 3/8"	DN 15 1/2"	DN 20 3/4"	DN 25 1"	DN 32 1 1/4"	DN 40 1 1/2"	DN 50 2"	DN 65 2 1/2"	DN 80 3"	DN 100 4"
PN 16 bar									212	304
PN 25 bar							83	142		
PN 40 bar	9	18	23	27	36	54				

Torque can vary depending on temperature and type of fluid; a safety factor of 1.4 must be applied. Torque can drop on high frequency of operations. The actuator/valve sizing, indicated on the following pages, are based for valves to be used with liquids or gaseous fluids, clean, and for medium temperatures. For further information, or different uses please contact our sales department.

specifications

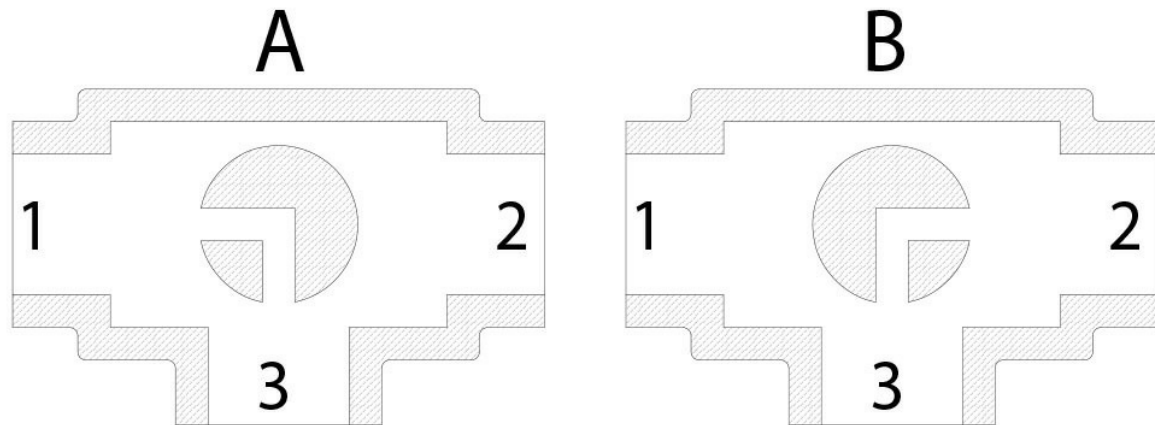
Plan for "L" port

N.B.:

"A" must be the rest position of the ball with **SR FAIL CLOSE** actuator.

"B" must be the rest position of the ball with **SR FAIL OPEN** actuator.

View from above



Plan for "T" port

With actuator 2 positions with 90° rotation are possible only: the configuration of the ball must always be communicated at our sales department.

N.B.:

Choose the rest position of the ball with **SR FAIL CLOSE** actuator; whenever supplied with air, actuator turns in an anticlockwise direction.

Choose the rest position of the ball with **SR FAIL OPEN** actuator; whenever supplied with air, actuator turns in a clockwise direction.

View from above

