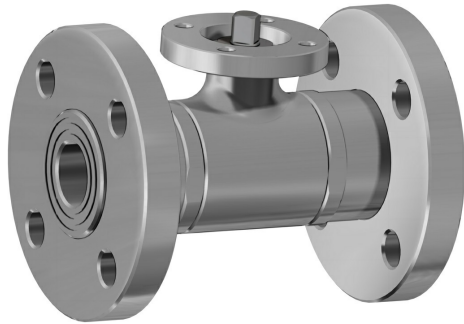




## Item 406 stainless steel ball valves



Macro Ball valves

Category Other stainless steel ball valves

2-way full-bore flanged stainless steel ball valve

### features

#### GENERAL FEATURES:

- The valve is manufactured in 316L stainless steel.
- Flanges as per: EN 1092-1; dimensions as per DIN 3202-F4; turning threaded flanges as per UNI PN 16.
- Working temperature: from -20°C to +150°C
- Working pressure: see table.
- Fluid range: food industry.
- ISO 5211 flange connection.
- **The manual version (with lever) doesn't have the ISO 5211 flange connection and its therefore not possible to mount on it any kind of actuators.**

#### ON REQUEST:

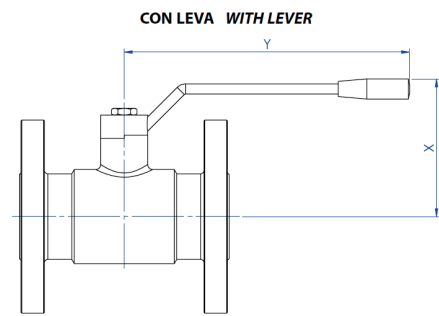
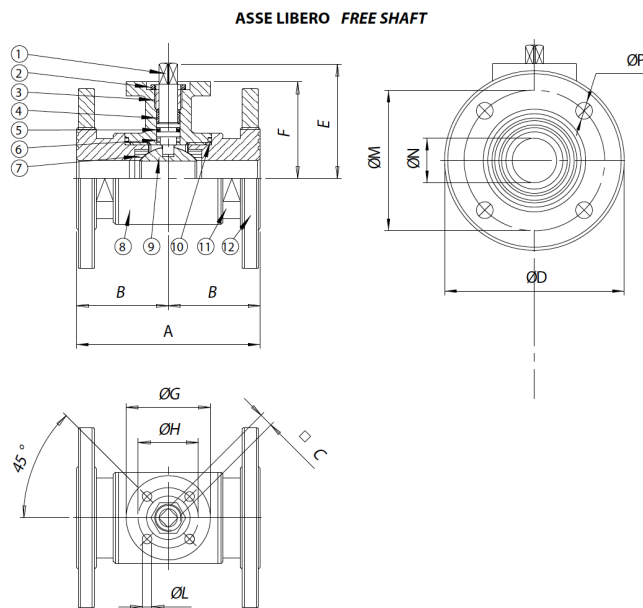
- Zinc plated flanges
- Flanges ASME B16.5 class 150,300.
- Seals made of: PTFE glass filled, PTFE with carbon graphite, High-molecular weight polyethylene.
- For other applications, please contact our sales department.

#### CERTIFICATIONS:

- ATEX version in conformity with European Directive 2014/34/EU.
- ATEX certificate on request



## dimensions



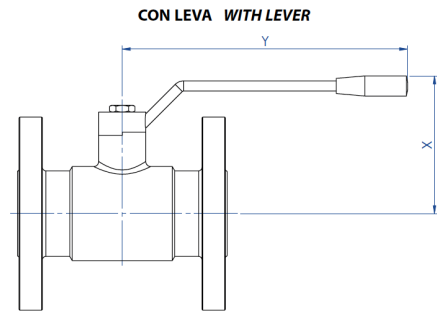
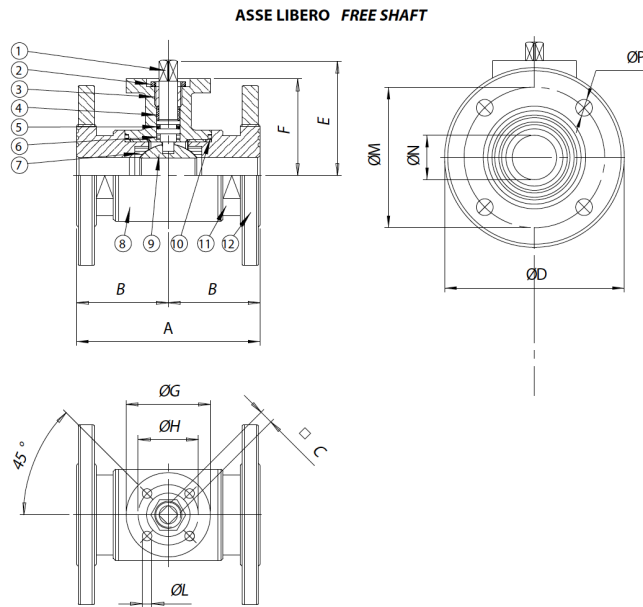
La versione con leva non ha la flangia montaggio attuatore a norma ISO 5211 e non è possibile montare alcun tipo di attuatore.

*The manual version (with lever) doesn't have the ISO 5211 flange connection and its therefore not possible to mount on it any kind of actuators.*

SIZE		DIMENSIONS													
DN [mm]	[inch]	A	B	□C	ØD	E	F	ØG	ØH	ØL	ØM	ØN	n°xØP	X	Y
DN 10	3/8"	110	55	6	90	47	39	46	36	6	60	10	4x14	70	125
DN 15	1/2"	115	57,5	6	95	49,5	41,5	46	36	6	65	15	4x14	75	125
DN 20	3/4"	120	60	6	105	53	45	46	36	6	75	20	4x14	80	125
DN 25	1"	125	62,5	9	115	64,5	51,5	65	50	7	85	25	4x14	100	170
DN 32	1" 1/4	130	65	9	140	69,5	56,5	65	50	7	100	32	4x18	110	170
DN 40	1" 1/2	140	70	14	150	89	76	65	50	7	110	40	4x18	120	240
DN 50	2"	150	75	14	165	97	84	65	50	7	125	50	4x18	130	240
DN 65	2" 1/2	170	85	17	185	109,5	94,5	90	70	9	145	65	4x18	145	260
DN 80	3"	180	90	17	200	121	106	90	70	9	160	80	8x18	160	300
DN 100	4"	190	95	17	220	138	120	125	102	11	180	100	8x18	180	330



materials



La versione con leva non ha la flangia montaggio attuatore a norma ISO 5211 e non è possibile montare alcun tipo di attuatore.

*The manual version (with lever) doesn't have the ISO 5211 flange connection and its therefore not possible to mount on it any kind of actuators.*

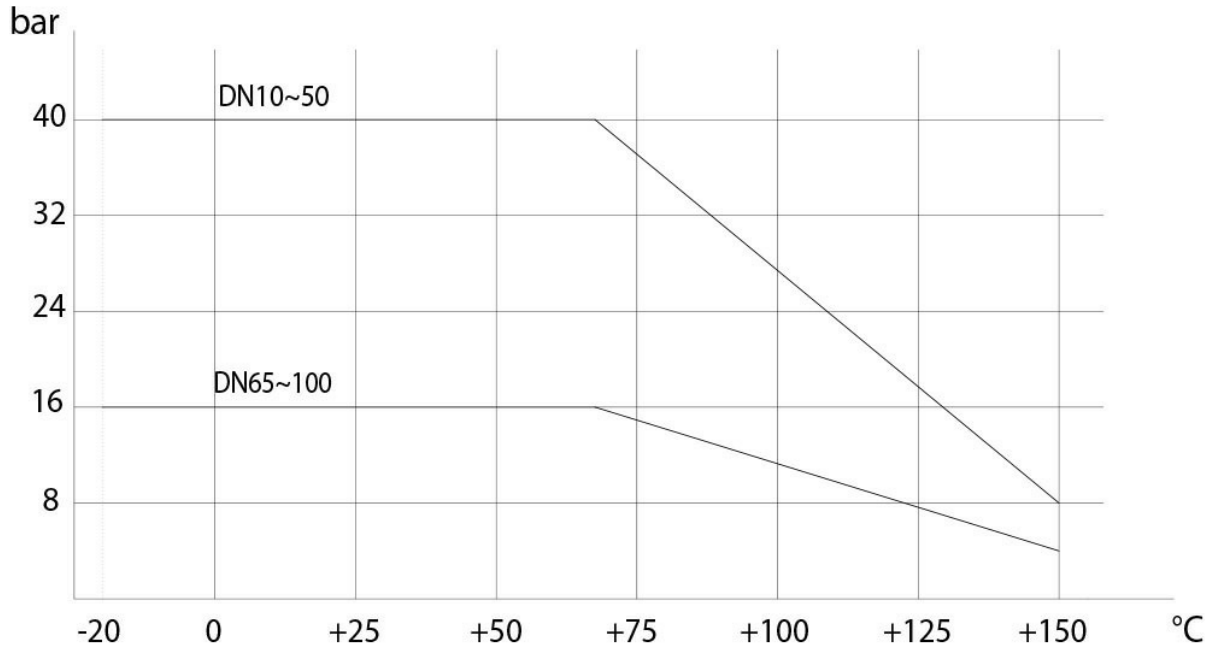
MATERIALS				
1	Shaft	316L S.S.	1.4404	UNI X5CrNiMo 17 12
2	Lock nut	303 S.S.		
3	Gland nut ring	304L S.S. (303 S.S.)		
4*	Top tight ring	P.T.F.E.		
5*	Shaft o-ring	FKM		
6*	Washer	P.T.F.E.		
7*	Seals	P.T.F.E.		
8	Body	316L S.S.	1.4404	UNI X5CrNiMo 17 12
9	Ball	316L S.S.	1.4404	UNI X5CrNiMo 17 12
10*	Threaded sealing	P.T.F.E.		
11	End	316L S.S.	1.4404	UNI X5CrNiMo 17 12
12	Flange	316L S.S.	1.4404	UNI X5CrNiMo 17 12

\* Components of spare part kit KGBV75...

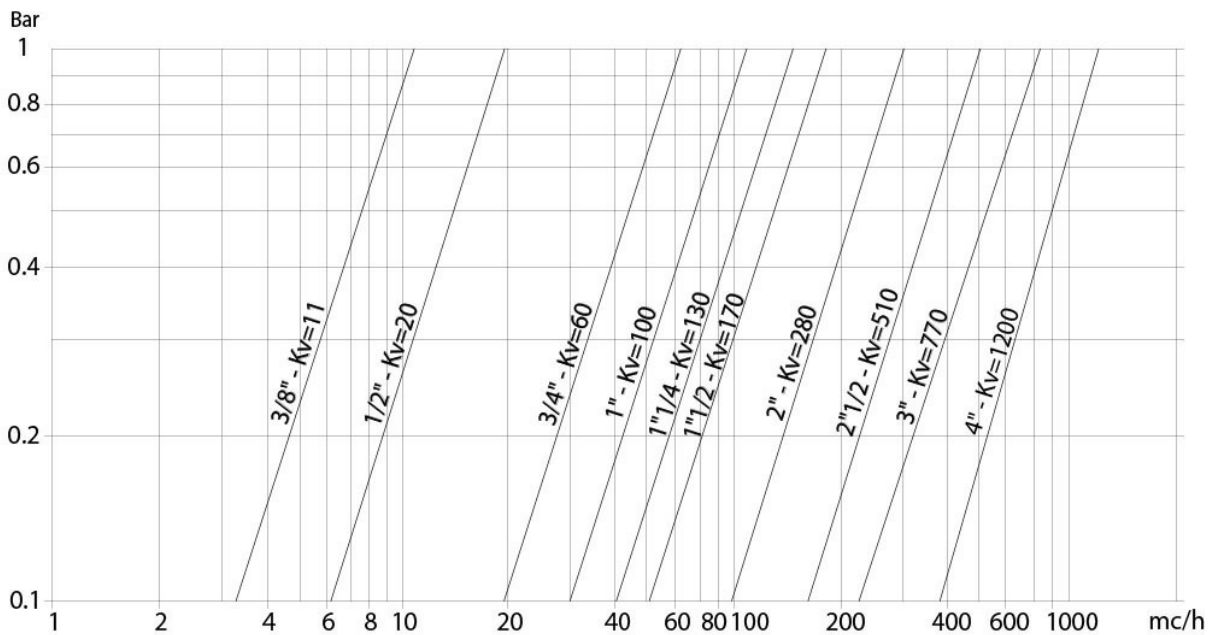


## diagrams and breakaway torque

Pressure/temperature diagram



Flow/pressure loss diagram and Kv nominal coefficient



Kv is the coefficient, expressed in m<sup>3</sup>/h (with water at 15°C) causing a pressure loss of 1 bar.



BREAKAWAY TORQUES Nm										
SIZE	DN 10 3/8"	DN 15 1/2"	DN 20 3/4"	DN 25 1"	DN 32 1"1/4"	DN 40 1"1/2"	DN 50 2"	DN 65 2"1/2"	DN 80 3"	DN 100 4"
PN 16 bar								70	112	166
PN 40 bar	6	8	11	16	22	30	42			

Torque can vary depending on temperature and type of fluid; a safety factor of 1.4 must be applied. Torque can drop on high frequency of operations. The actuator/valve sizing, indicated on the following pages, are based for valves to be used with liquids or gaseous fluids, clean, and for medium temperatures. For further information, or different uses please contact our sales department.