

## Item 615-616 PVC ball valve



Macro Ball valves

Category Other PVC ball valves

2-way full-bore PVC ball valve, threaded or glued ends

ITEM 615

Connection: threaded

ITEM 616

Connection: to be glued

### features

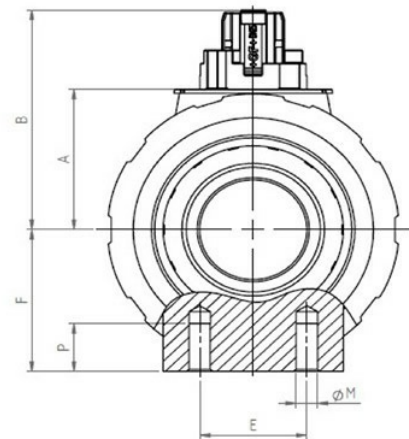
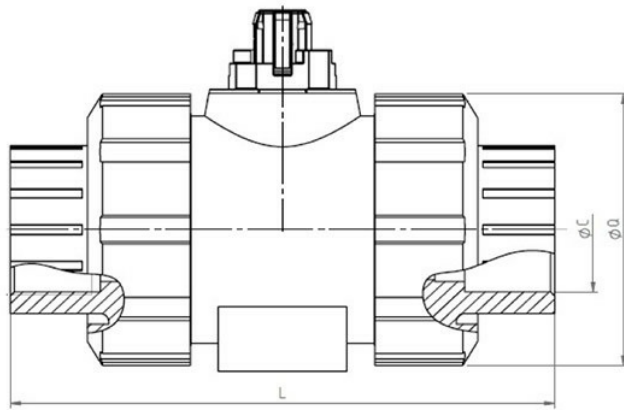
#### GENERAL FEATURES:

- Working temperature: from 0°C to 60°C
- Working pressure: see diagram
- Applications: chemical and all kinds of fluids compatible with PVC
- Connections:
  - Female threaded as per DIN/ISO 228/1;
  - to be glued ISO 727 UNI EN 1452
- PN 16 till 20°C if classified chemical resistant with the used fluid with glued ends, PN10 with threaded ends.

#### ON REQUEST:

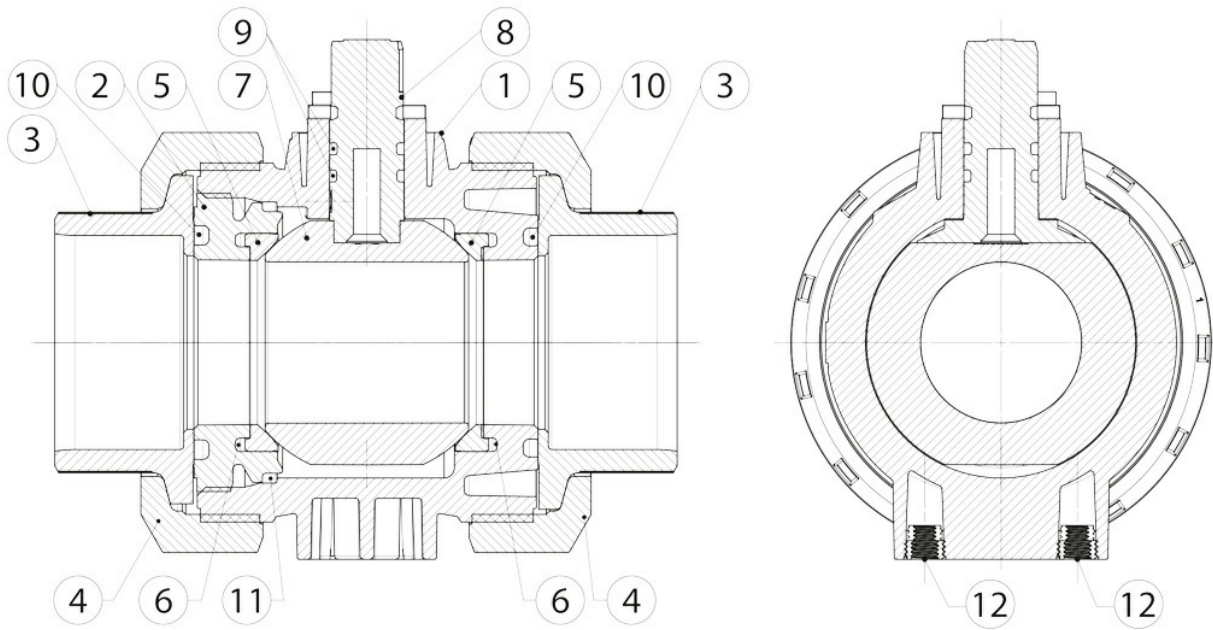
- Please contact our sales department.

## dimensions



SIZE		DIMENSIONS										
DN [mm]	[inch]	L Threaded	L Glued	ØQ	ØC Threaded	ØC Glued	A	B	E	F	ØM	P
DN 10	3/8"	92	95	50	3/8"	16	26,1	41	25	27	6	12
DN 15	1/2"	95	100	50	1/2"	20	26,1	41	25	27	6	12
DN 20	3/4"	110	114	58	3/4"	25	30	48,5	25	30	6	12
DN 25	1"	123	127	68	1"	32	35,2	55	25	36	6	12
DN 32	1" 1/4	146	146	84	1" 1/4	40	44	66,9	45	44	8	15
DN 40	1" 1/2	157	152	97	1" 1/2	50	50,2	73,1	45	51	8	15
DN 50	2"	183	177	124	2"	63	62	89,4	45	64	8	15
DN 65	2" 1/2	233	233	166	2" 1/2	75	84,1	126	70	85	8	15
DN 80	3"	254	254	200	3"	90	95,9	138	70	105	8	15
DN 100	4"	301	301	238	4"	110	109,9	152	120	123	12	22

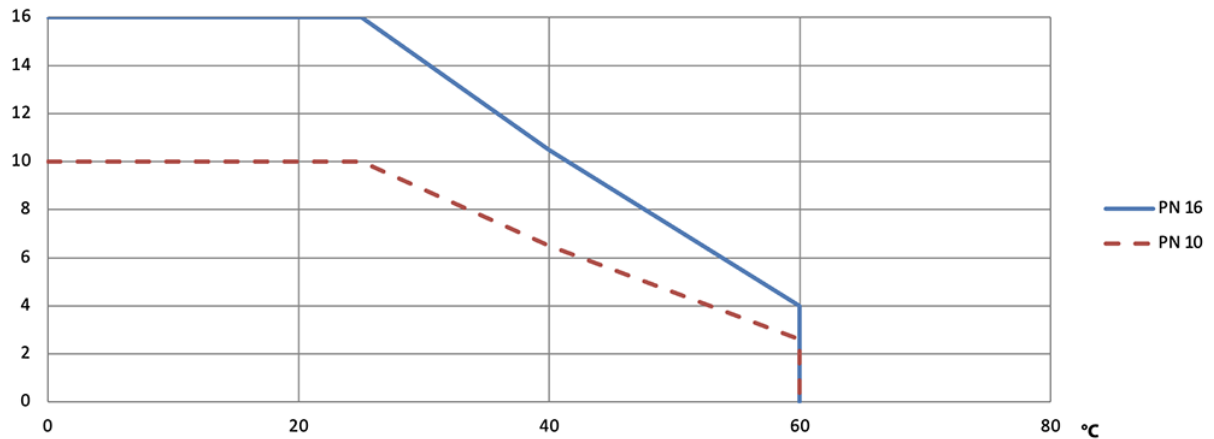
## materials



MATERIALS		
1	Body	PVC-U
2	Ball sealing support	PVC-U
3	End	PVC-U
4	Nut ring	PVC-U
5	Ball sealing	PTFE
6	Backing seal	EPDM
7	Ball	PVC-U
8	Stem	PVC-U
9	Shaft o-ring	EPDM
10	Valve end seal	EPDM
11	Body seal	EPDM
12	Mounting insert	S.S.

## diagrams and breakaway torque

### Pressure/temperature diagram



### Flow-pressure loss diagram and Kv nominal coefficient

	DN10	DN15	DN20	DN25	DN32	DN40	DN50	DN65	DN80	DN100	
Kv100	70	185	350	700	1000	1600	3100	5000	7000	11000	KV100 liters per minute
KV	4,2	11,1	21	42	60	96	186	300	420	660	KV cubic meters / hour

Kv is the coefficient, expressed in m<sup>3</sup>/h (with water at 15°C) causing a pressure loss of 1 bar.

BREAKAWAY TORQUES Nm										
SIZE	DN 10 3/8"	DN 15 1/2"	DN 20 3/4"	DN 25 1"	DN 32 1 1/4"	DN 40 1 1/2"	DN 50 2"	DN 65 2 1/2"	DN 80 3"	DN 100 4"
PN 10/16 bar	2	2	3	4	5,5	7,5	10	15	23	40

Torque can vary depending on temperature and type of fluid; a safety factor of 1.4 must be applied. Torque can drop on high frequency of operations. The actuator/ valve sizing, indicated on the following pages, are based for valves to be used with liquids or gaseous fluids, clean, and for medium temperatures. For further information, or different uses please contact our sales department.