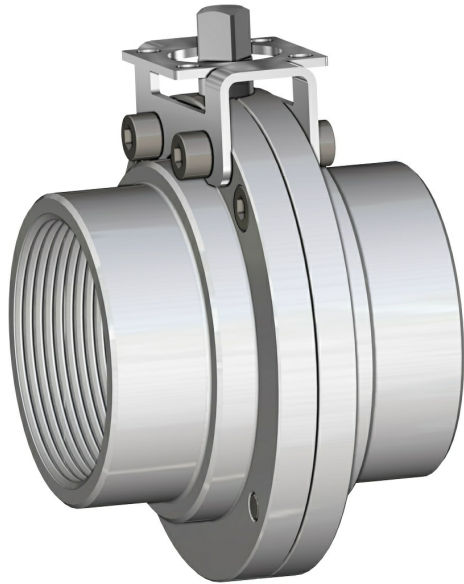


Item 490-492-493 butterfly valve



Macro Butterfly valves

Category Other butterfly valves

Stainless steel butterfly valve with ISO 228/1 threaded, butt welded, DIN 11851 ends

ITEM 490

Connections: Threaded ISO 228/1,
Material: 304 S.S.

ITEM 492

Connections: DIN 11851,
Material: 304 S.S.

ITEM 493

Connections: DIN 11850 serie 1,
Material: 304 S.S.

features

STANDARD EXECUTIONS:

- Valve manufactured in 304 (series 490-492-493) and in 316L (series 494) stainless steel.
- The valve it's suitable for food industries.
- Working temperature: from 0°C to +150°C
- Working pressure: PN 6
- Fluid range: food industry.
- Connections:
 - GAS threads as per DIN/ISO 228/1;
 - DIN 11851 threads for food industry;
 - to be butt-welded as per DIN 11850-1;
 - Clamp BS 4825 (DIN 32676 C serie)

- Surface treatment: polished.

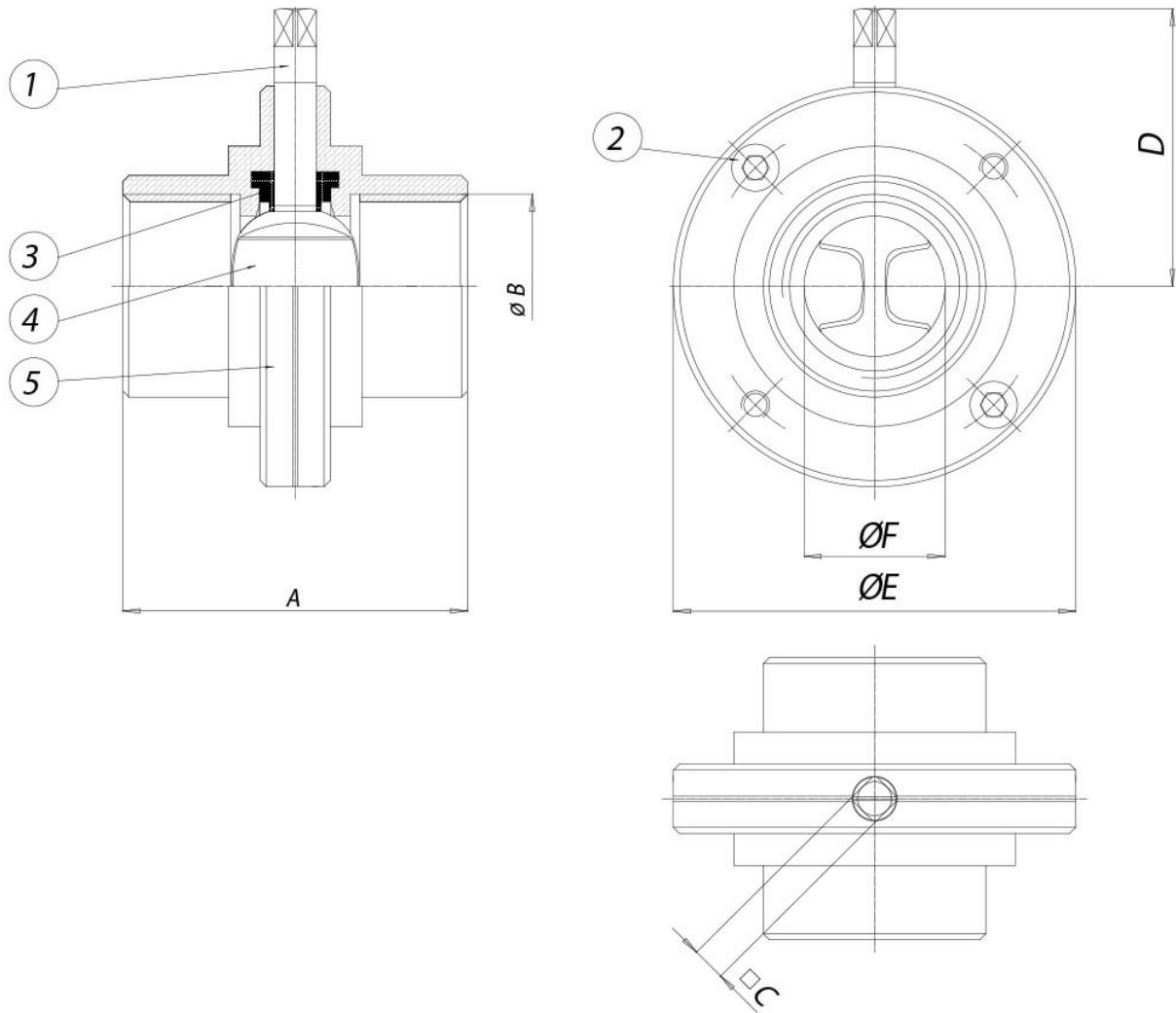
ON REQUEST:

- Threaded SMS 1146
- Threaded MACON
- Clamp DIN 32676 A serie
- Clamp ISO 2852
- For other applications, please contact our sales department.

dimensions

ITEM 490

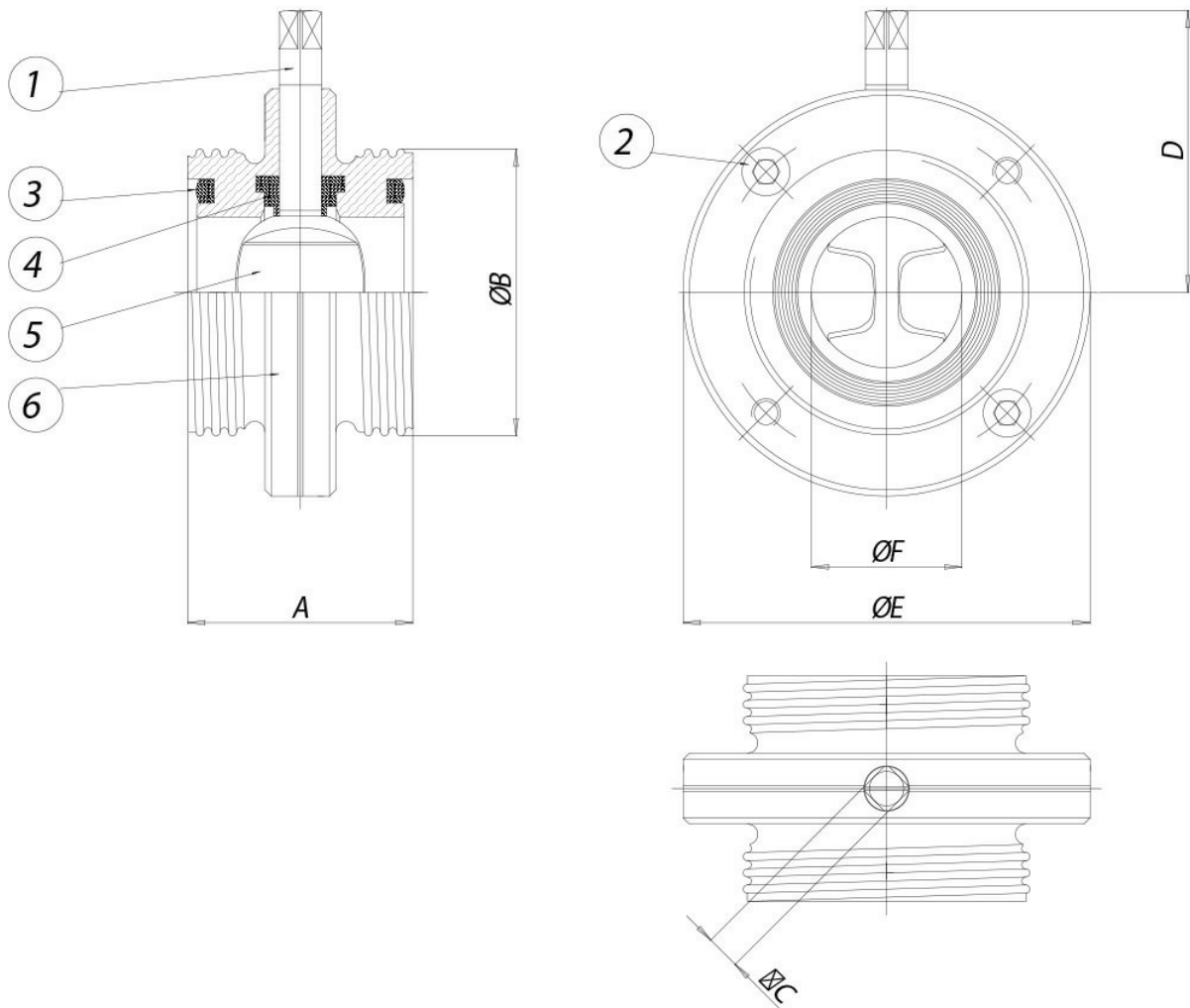
ITEM 490 ISO 228/1



SIZE		DIMENSIONS					
DN [mm]	[inch]	A	ØB	□C	D	ØE	ØF
DN 25	1"	68	28	9	58	79	25
DN 32	1" 1/4	76	34	9	63	85	32
DN 40	1" 1/2	76	40	9	65	92	40
DN 50	2"	80	52	9	71	105	50
DN 65	2" 1/2	82	70	9	81	125	65
DN 80	3"	84	85	11	88	137	80
DN 100	4"	88	104	11	100	157	100

ITEM 492

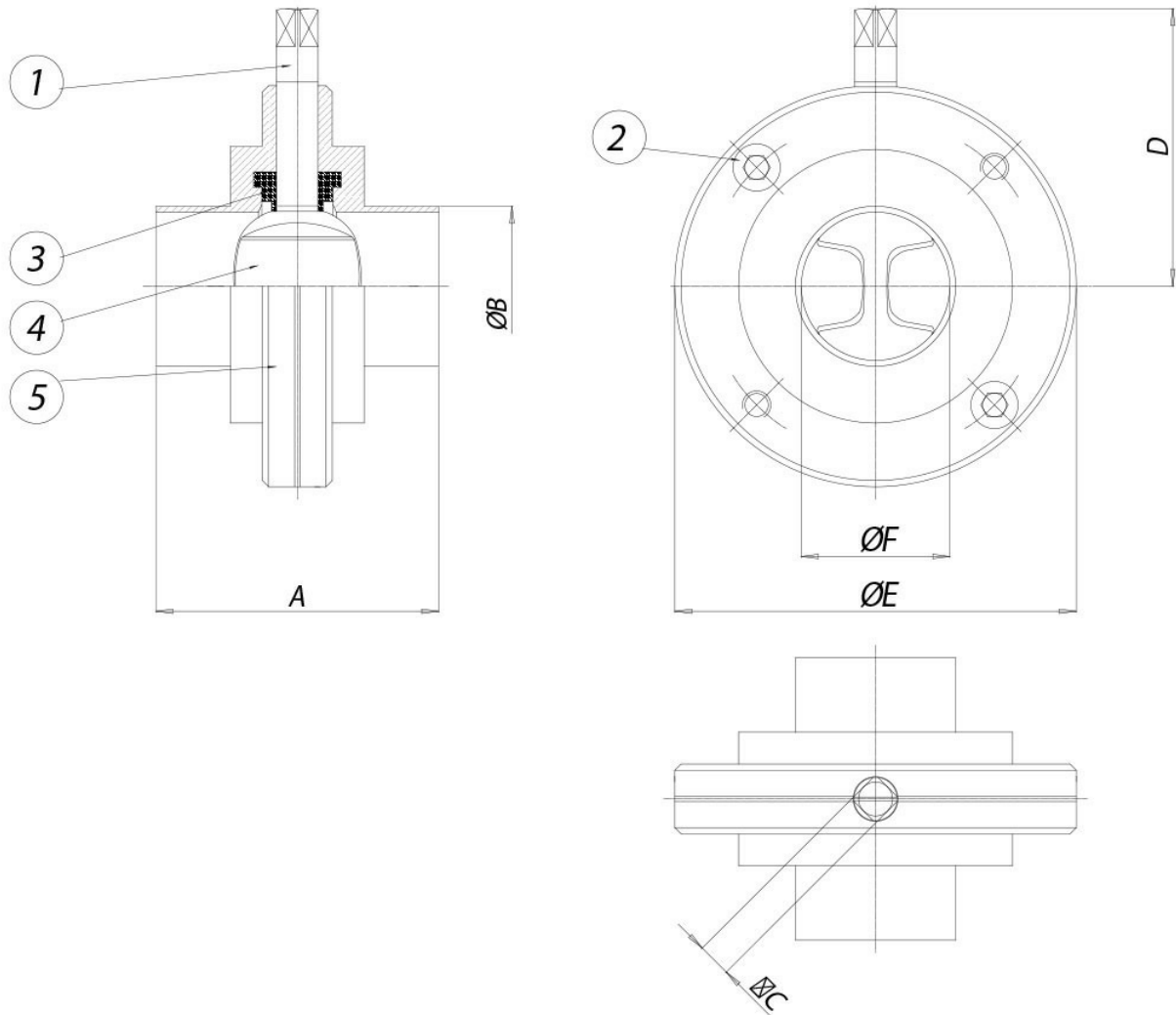
ITEM 492 DIN 11851



SIZE		DIMENSIONS					
DN [mm]	[inch]	A	ØB	□C	D	øE	øF
DN 25	1"	68	52X1/6	9	58	79	25
DN 32	1" 1/4	76	58X1/6	9	63	85	32
DN 40	1" 1/2	76	65X1/6	9	65	92	40
DN 50	2"	80	78X1/6	9	71	105	50
DN 65	2" 1/2	82	95X1/6	9	81	125	65
DN 80	3"	84	110X1/4	11	88	137	80
DN 100	4"	88	130X1/4	11	100	157	100

ITEM 493

ITEM 493 DIN 11850 SERIE 1

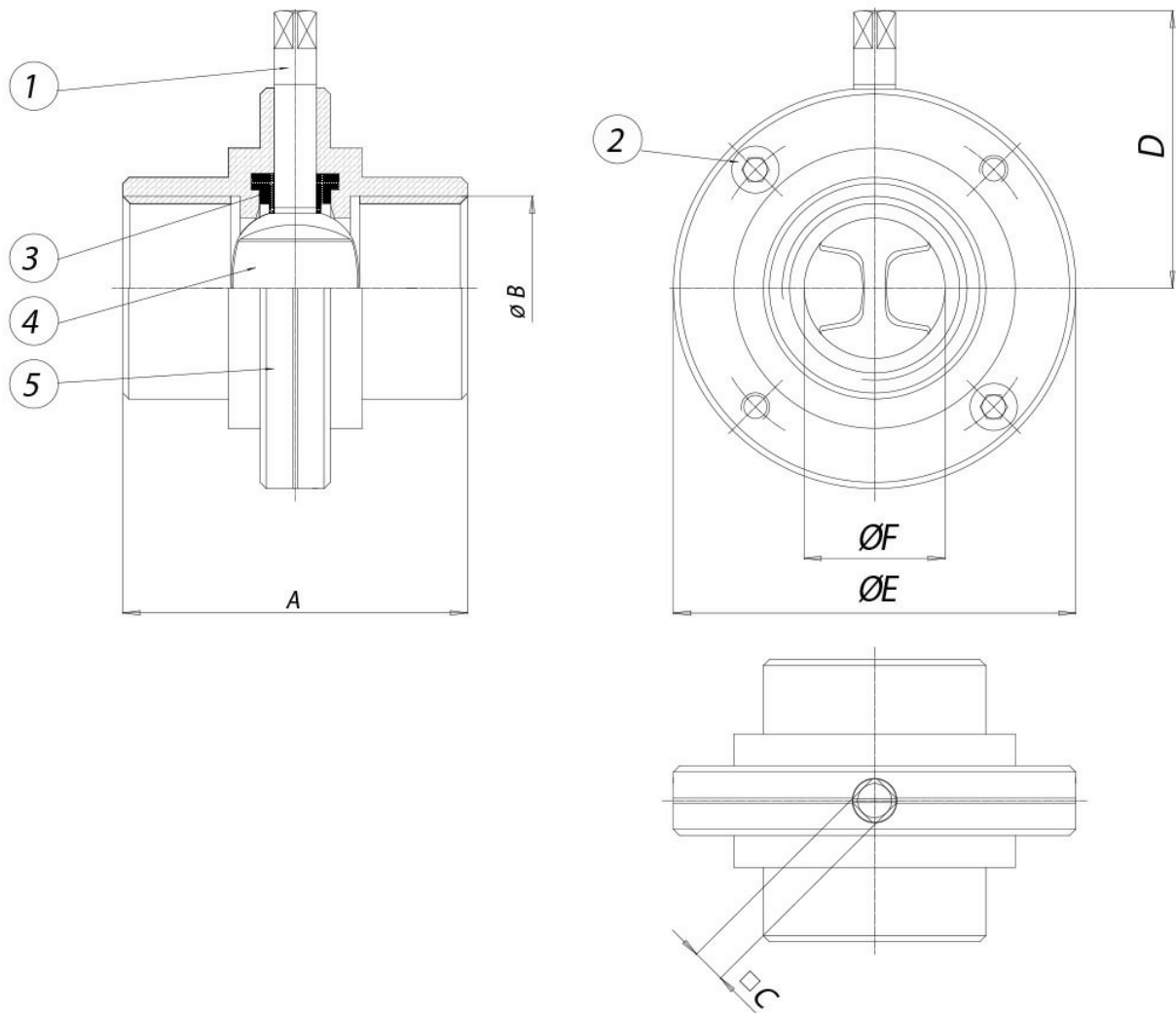


SIZE		DIMENSIONS					
DN [mm]	[inch]	A	ØB	□C	D	øE	øF
DN 25	1"	68	29	9	58	79	25
DN 32	1" 1/4	76	35	9	63	85	31
DN 40	1" 1/2	76	41	9	65	92	37
DN 50	2"	80	53	9	71	105	49
DN 65	2" 1/2	82	70	9	81	125	66
DN 80	3"	84	85	11	88	137	81
DN 100	4"	88	104	11	100	157	100

materials

ITEM 490

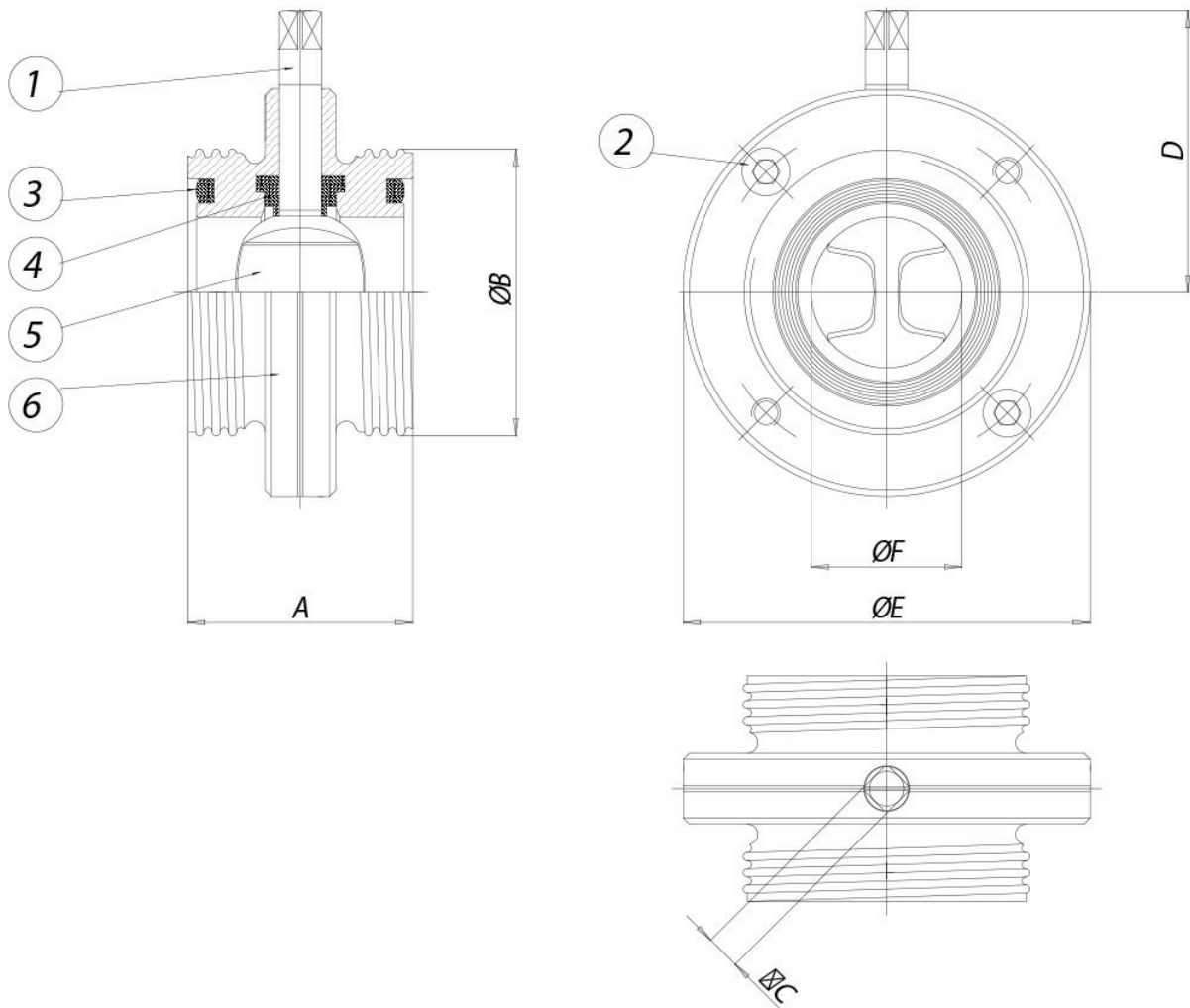
ITEM 490 ISO 228/1



ITEM 490 ISO 228/1 MATERIALS				
1	Shaft	304 S.S.	1.4301	UNI X5CrNi 18 10
2	Screws	304 S.S.	1.4301	UNI X5CrNi 18 10
3*	Internal seals	Silicon		
4	Disc	CF8M	1.4301	UNI X5CrNi 18 10
5	Ends	304 S.S.	1.4301	UNI X5CrNi 18 10
* Components of spare part kit KGBV70...				

ITEM 492

ITEM 492 DIN 11851

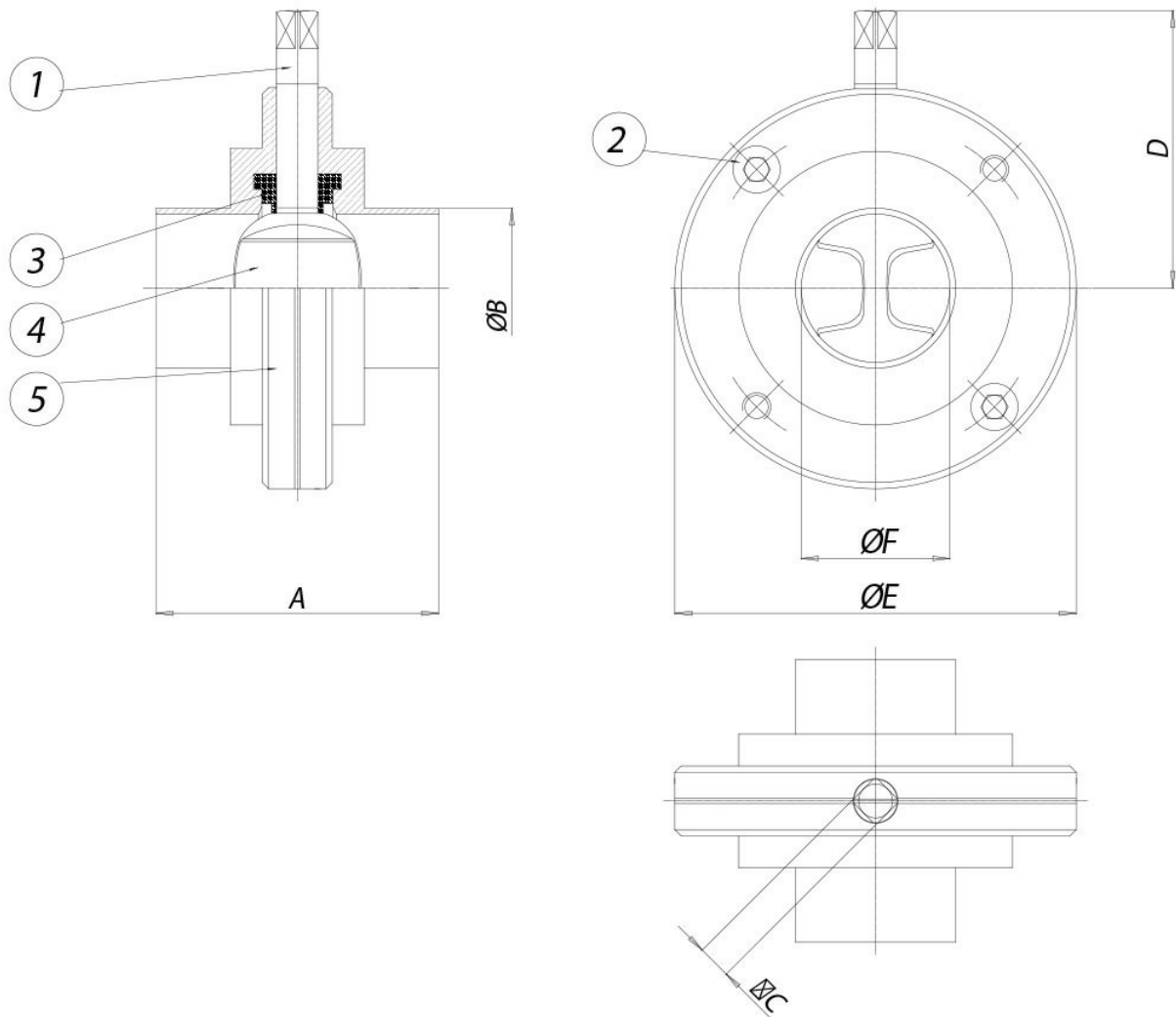


ITEM 492 DIN 11851 MATERIALS

ITEM 492 DIN 11851 MATERIALS				
1	Shaft	304 S.S.	1.4301	UNI X5CrNi 18 10
2	Screws	304 S.S.	1.4301	UNI X5CrNi 18 10
3**	Seals	Silicon		
4*	Internal seals	Silicon		
5	Disc	CF8M	1.4301	UNI X5CrNi 18 10
6	Ends	304 S.S.	1.4301	UNI X5CrNi 18 10
* Main seat spare part				
** Components of complete spare part				

ITEM 493

ITEM 493 DIN 11850 SERIE 1

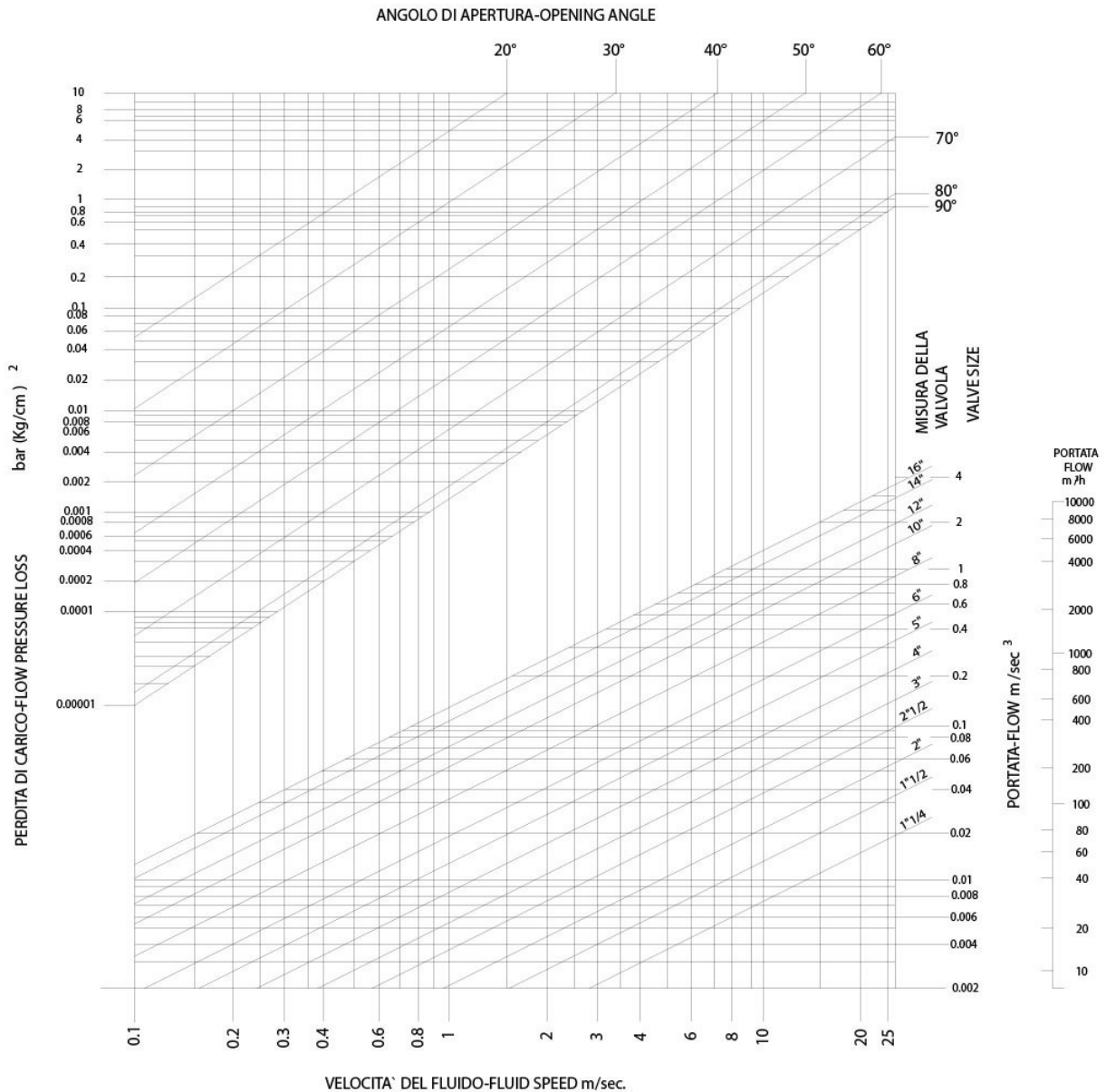


ITEM 493 DIN 11850 SERIE 1 MATERIALS

1	Shaft	304 S.S.	1.4301	UNI X5CrNi 18 10
2	Screws	304 S.S.	1.4301	UNI X5CrNi 18 10
3*	Internal seals	Silicon		
4	Disc	CF8M	1.4301	UNI X5CrNi 18 10
5	Ends	304 S.S.	1.4301	UNI X5CrNi 18 10

* Components of spare part kit KGBV70...

diagrams and breakaway torque



BREAKAWAY TORQUES Nm							
SIZE	DN 25 1"	DN 32 1"1/4	DN 40 1"1/2	DN 50 2"	DN 65 2"1/2	DN 80 3"	DN 100 4"
PN 6 bar	7	9	15	18	29	43	65

Torque can vary depending on temperature and type of fluid; a safety factor of 1.4 must be applied. Torque can drop on high frequency of operations. The actuator/valve sizing, indicated on the following pages, are based for valves to be used with liquids or gaseous fluids, clean, and for medium temperatures. For further information, or different uses please contact our technical department.