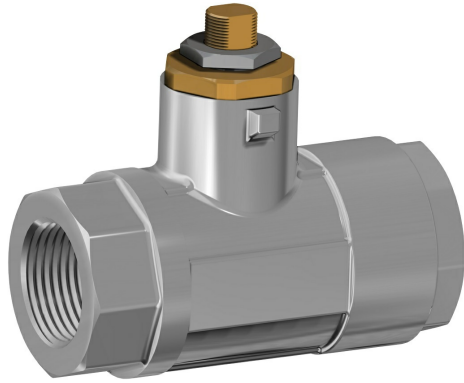


Item 113 brass ball valve



Macro Ball valves

Category Other brass ball valves

features

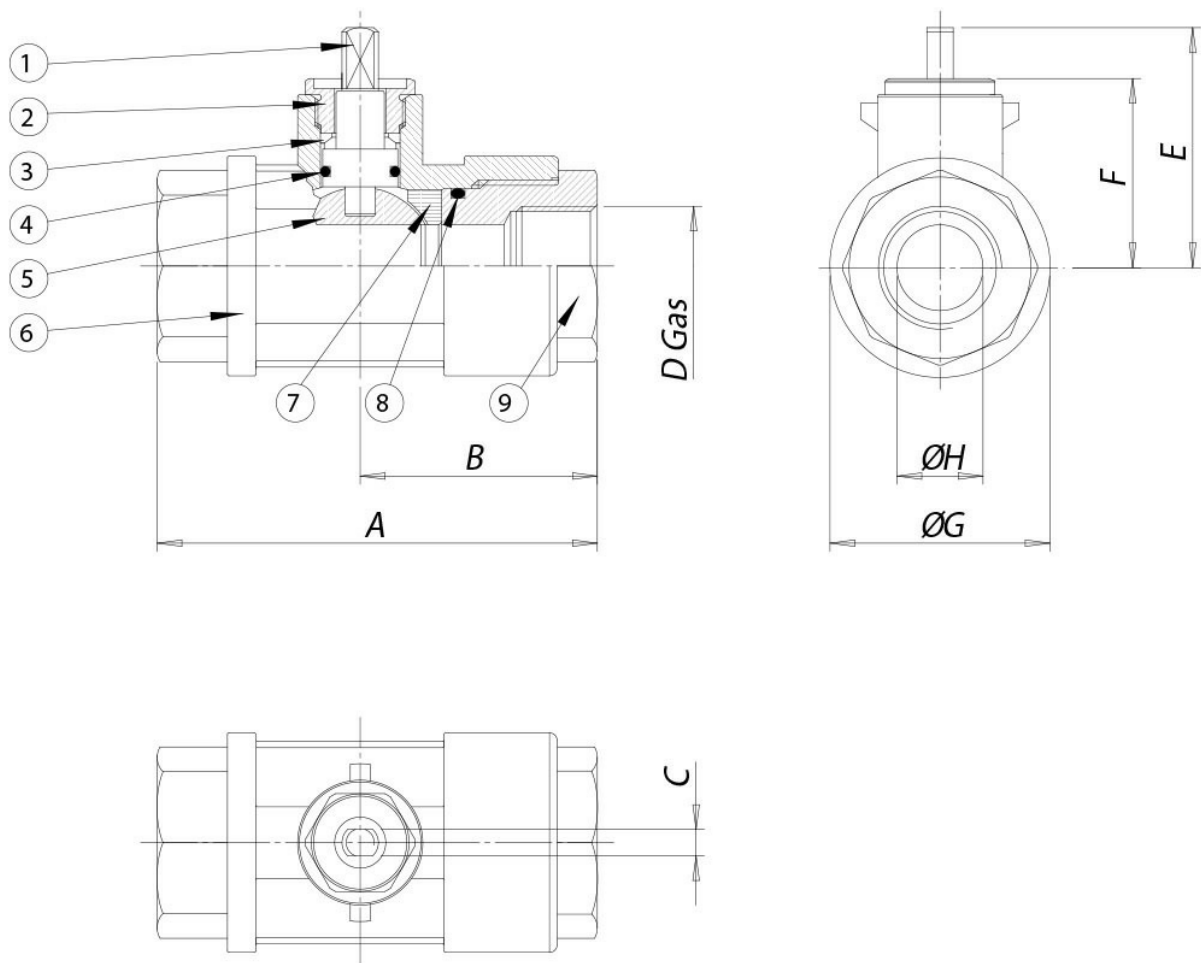
GENERAL FEATURES:

- High pressure ball valve suitable for hydraulic and pneumatic applications, in general.
- Working temperature: from -20°C to + 80°C
- Working pressure: 210 bar, see diagram
- Fluid range: oils, petroleum and petrochemical products.
- Threaded ends as per ISO 7/1 specifications.

ON REQUEST:

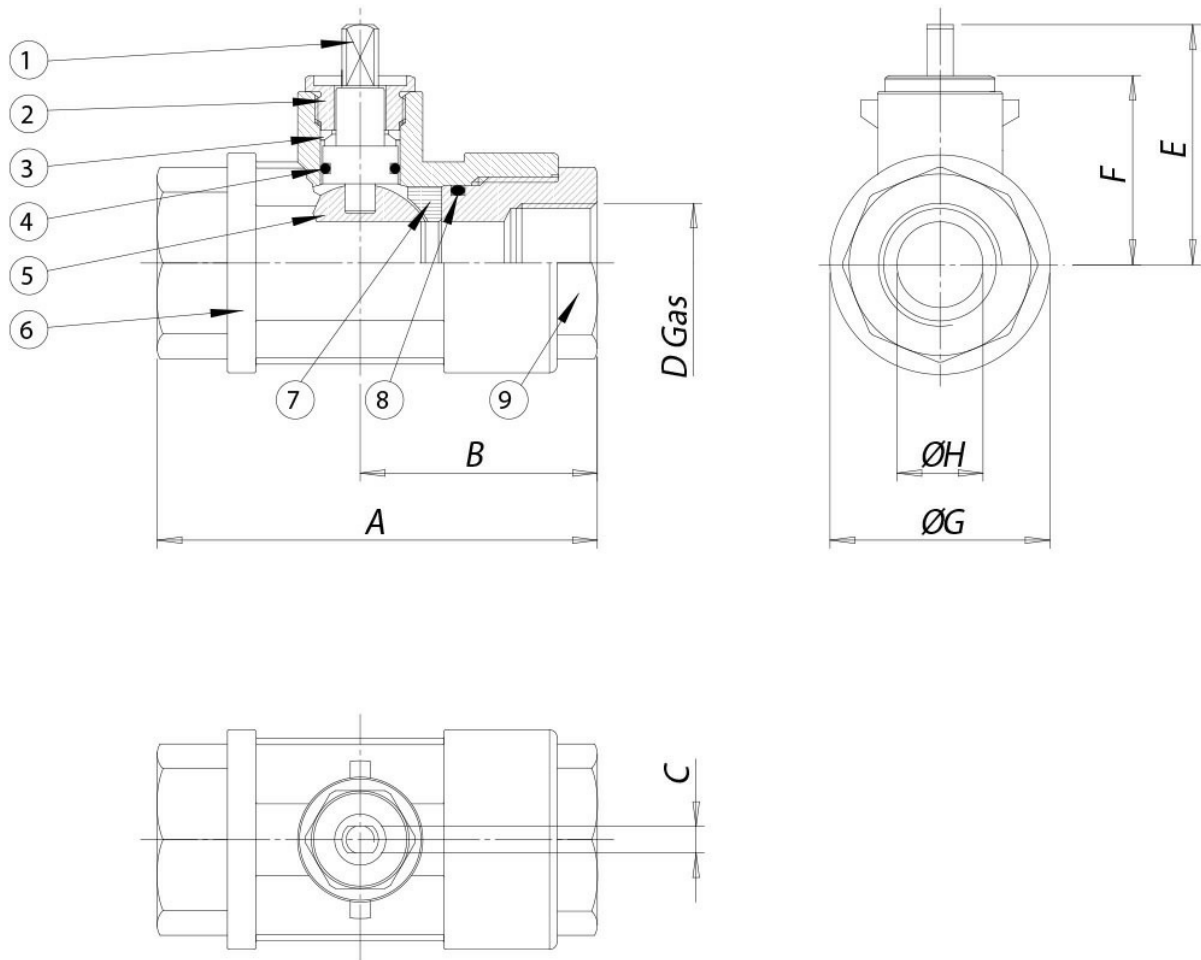
- For other applications, please contact our sales department.

dimensions



SIZE		DIMENSIONS							
DN [mm]	[inch]	A	B	C	ØD	E	F	ØG	ØH
DN 10	3/8"	75	44	7	3/8"	45	35	30	8
DN 15	1/2"	85	47	7	1/2"	47	36,5	36	12
DN 20	3/4"	95	54	10	3/4"	64,5	50,5	45	16
DN 25	1"	105	56	10	1"	66,8	53	53	20

materials

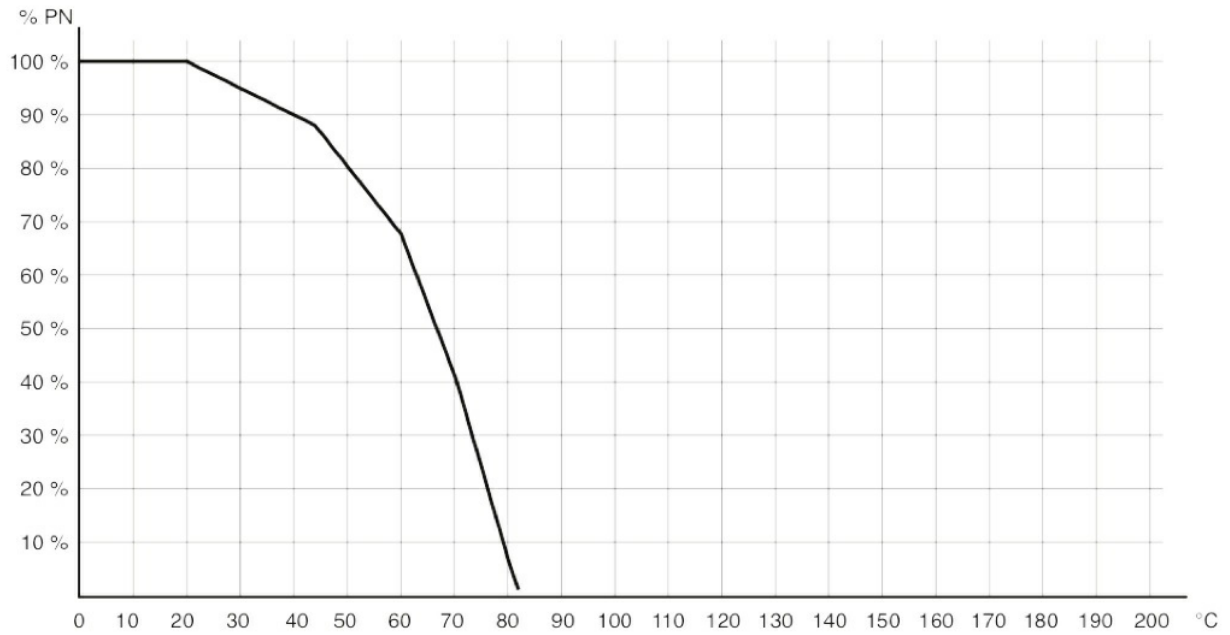


MATERIALS			
1	Shaft*	Brass	EN 12164 CW614N
2	Gland nut*	Brass	EN 12164 CW614N
3	Seals	P.T.F.E.	
4	Shaft o-ring	FKM	
5	Ball	Brass chromium plated	EN 12164 CW614N
6	Body*	Brass	EN 12165 CW617N
7	Seals	Acetalic resin	
8	End o-ring	FKM	
9	Threaded end*	Brass	EN 12165 CW617N

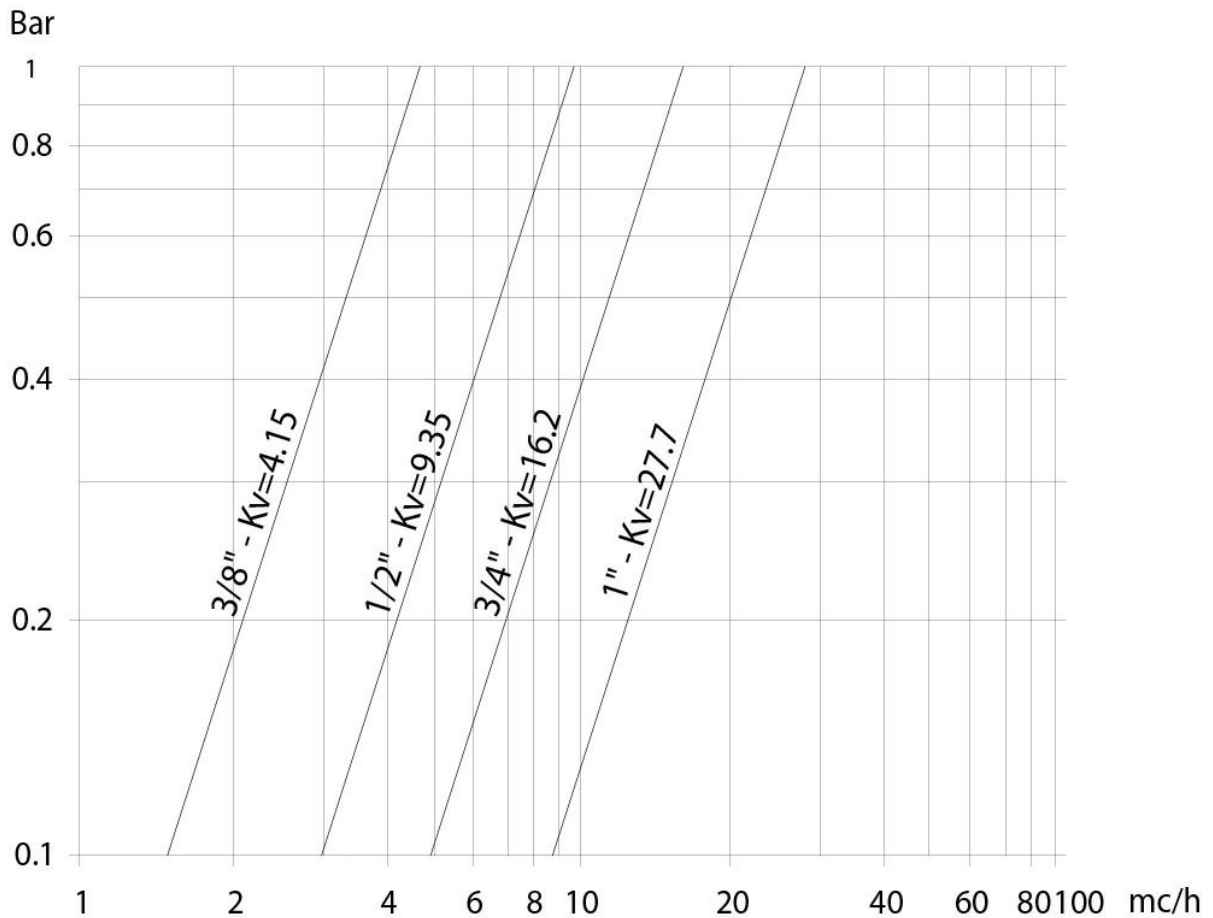
* Surface treatment: bright nickel plating

diagrams and breakaway torque

Pressure/temperature diagram



Flow/pressure loss diagram and Kv nominal coefficient



Kv is the coefficient, expressed in m³/h (with water at 15°C) causing a pressure loss of 1 bar.

BREAKAWAY TORQUES Nm				
SIZE	DN 10 3/8"	DN 15 1/2"	DN 20 3/4"	DN 25 1"
PN 210 bar	7	11	15	20

Torque can vary depending on temperature and type of fluid; a safety factor of 1.4 must be applied. Torque can drop on high frequency of operations. The actuator/ valve sizing, indicated on the following pages, are based for valves to be used with liquids or gaseous fluids, clean, and for medium temperatures. For further information, or different uses please contact our sales department.