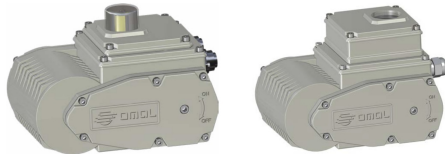




Warning: filectime(): stat failed for
</var/www/vhost/www.omal.it/htdocs/https://www.omal.it./FilesProdotti/UMA80565AttuatoreElettricoON-OFFEA-IT-EN.pdf> in
</var/www/vhost/www.omal.it/htdocs/prodotto-printable.php> on line 65

EA ON-OFF rotary type electric actuator



Macro Electric actuators

features

TECHNICAL DATA

- Nominal working angle: 90°, adjustable between 20° and 95°.
- Type of setting: continuous by means of self-locking cams and electromechanical limit switches.
- Nominal working torque: from 35 to 240 Nm.
- Operation time (0° - 90°): see diagram.
- Service: S3 ED 50% in compliance with CEI 60043.
- Applicable regulations: Low Voltage Directive 2014/35/UE; Electromagnetic Compatibility Directive 2014/30/CE.
- Enclosure: IP67 in compliance with EN60529.
- Working temperature: -25° +60°C.
- Storage temperature: -40° +90°C.
- Motor built-in auto-reset thermostatic protection.
- Motor with Class F insulation (155°C) .
- Rotor supported by ball bearings.
- Connection for emergency manual lever (hexagonal wrench in equipment).
- External visual position indicator with graduated top.
- Space heater (standard).
- IP67 connectors also available, on request with pre-wired cable.
- No. 2 SPDT auxiliary electromechanical limit switches with cams adjustable all along the stroke.
- Maximum working noise: <70 dB (A).
- Supply voltage: 230 Vac ±10%, 50/60 Hz monophasic; 115 Vac ±10%, 50/60 Hz monophasic; 24 V ac/dc ±10%; 24 V dc ±5%.

TORQUE					
MODEL		EA0035	EA0070	EA0130	EA0240
Nominal working torque	Nm	35	70	130	240
Maximum peak torque	Nm	45	85	160	280



ACTUATORS ORDERING CODES

CODICI DI ORDINAZIONE ATTUATORE ACTUATORS ORDERING CODES

EA - - - - - **0**

Coppia Torque
0035 = 35 Nm
0070 = 70 Nm
0130 = 130 Nm
0240 = 240 Nm

Alimentazione elettrica Voltage
A4 = 115 Vac 50/60 Hz
A5 = 230 Vac 50/60 Hz
U2 = 24 V ac/dc
C2 = 24 Vdc

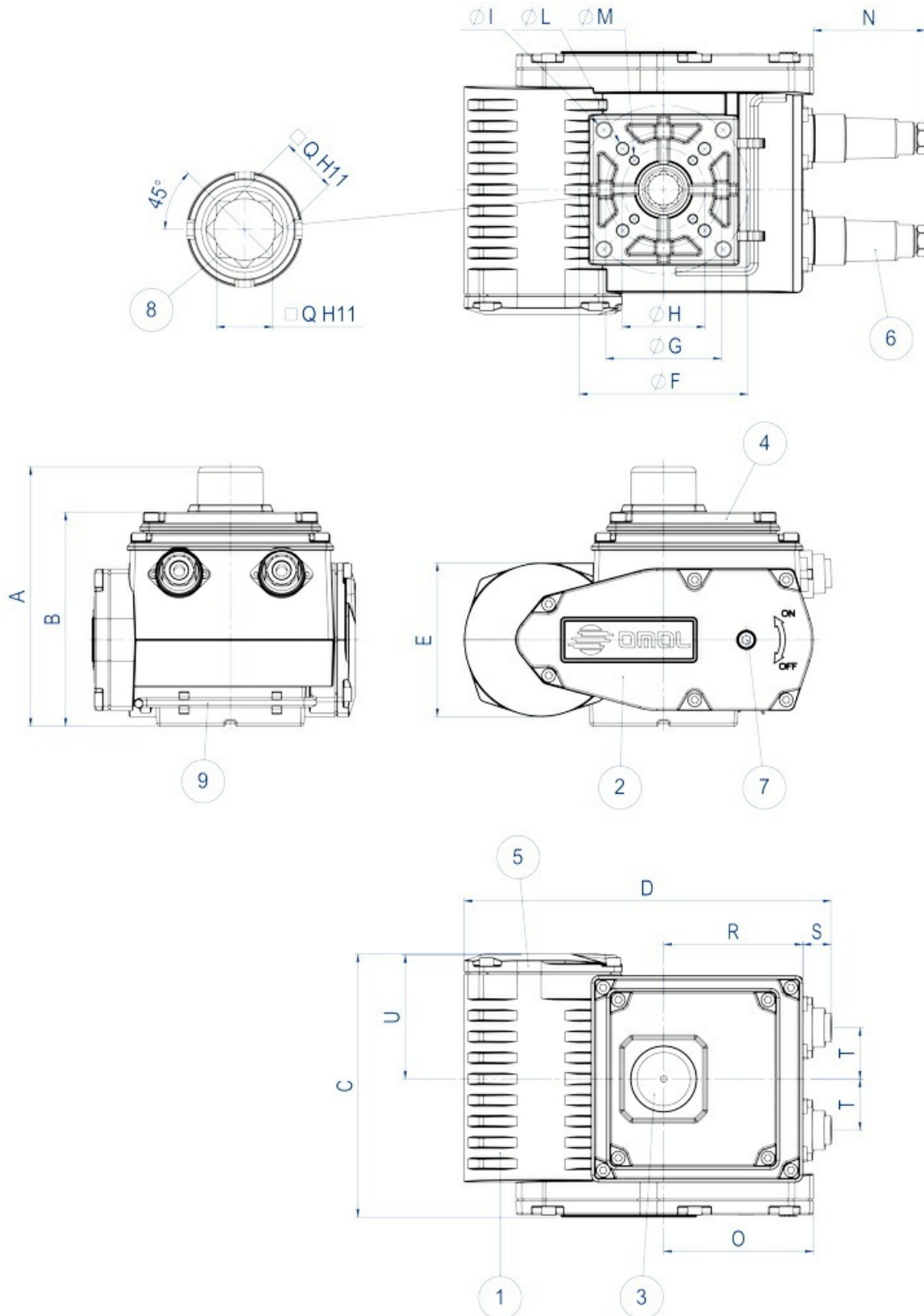
Connettore Connector
C0 = connettore diretto *straight connector*
P0 = connettore a pipa *L shape connector*
V0 = 7 poli a vite *7 screw poles*
00 = Pressacavo solo per versione IP68
Cable gland only for IP68 version

0 = STD (IP67)
B = IP68



dimensions

IP67 VERSION

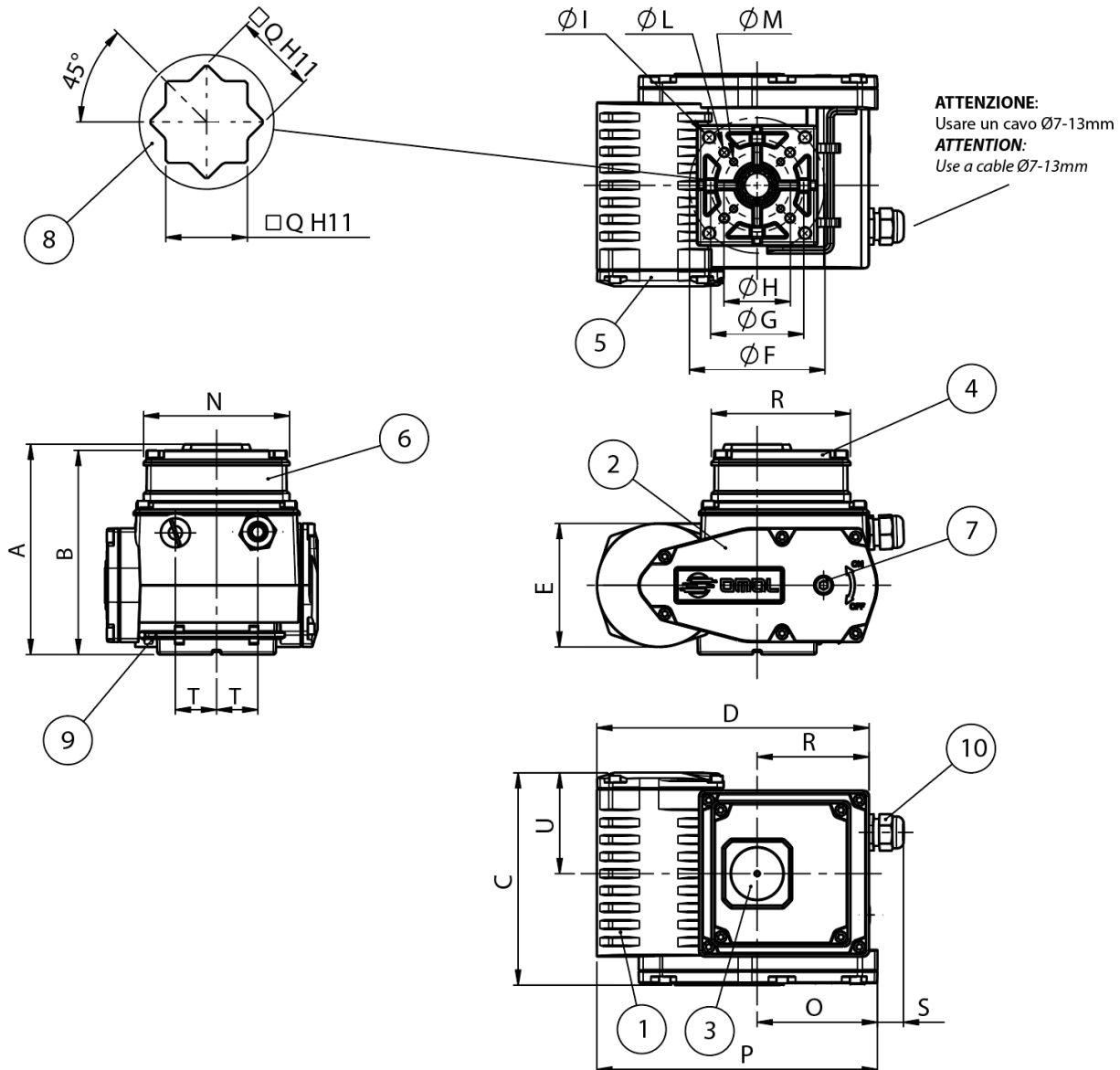




DIMENSIONS

	A	B	C	D	E	øF	øG	øH	øI	øL	øM	N	O	P	□Q	R	S	T	U	Kg
EA0035	137	109	132	190	84	70	50	36	M8x14	M6x11	M5x9	70	74	59	14	69	18	26	67,5	3,6
EA0070	137	109	136	190	84	70	50	--	M8x14	M6x11	--	70	74	59	14	69	18	26	67,5	3,8
EA0130	157,5	129,5	160	221,5	93	102	70	50	M10x17	M8x15	M6x11	67,5	90,5	57	17	84	17	31	76	7,2
EA0240	157,5	129,5	163,5	221,5	93	102	70	--	M10x17	M8x15	--	67,5	90,5	57	22	84	17	31	76	7,5

IP68 VERSION



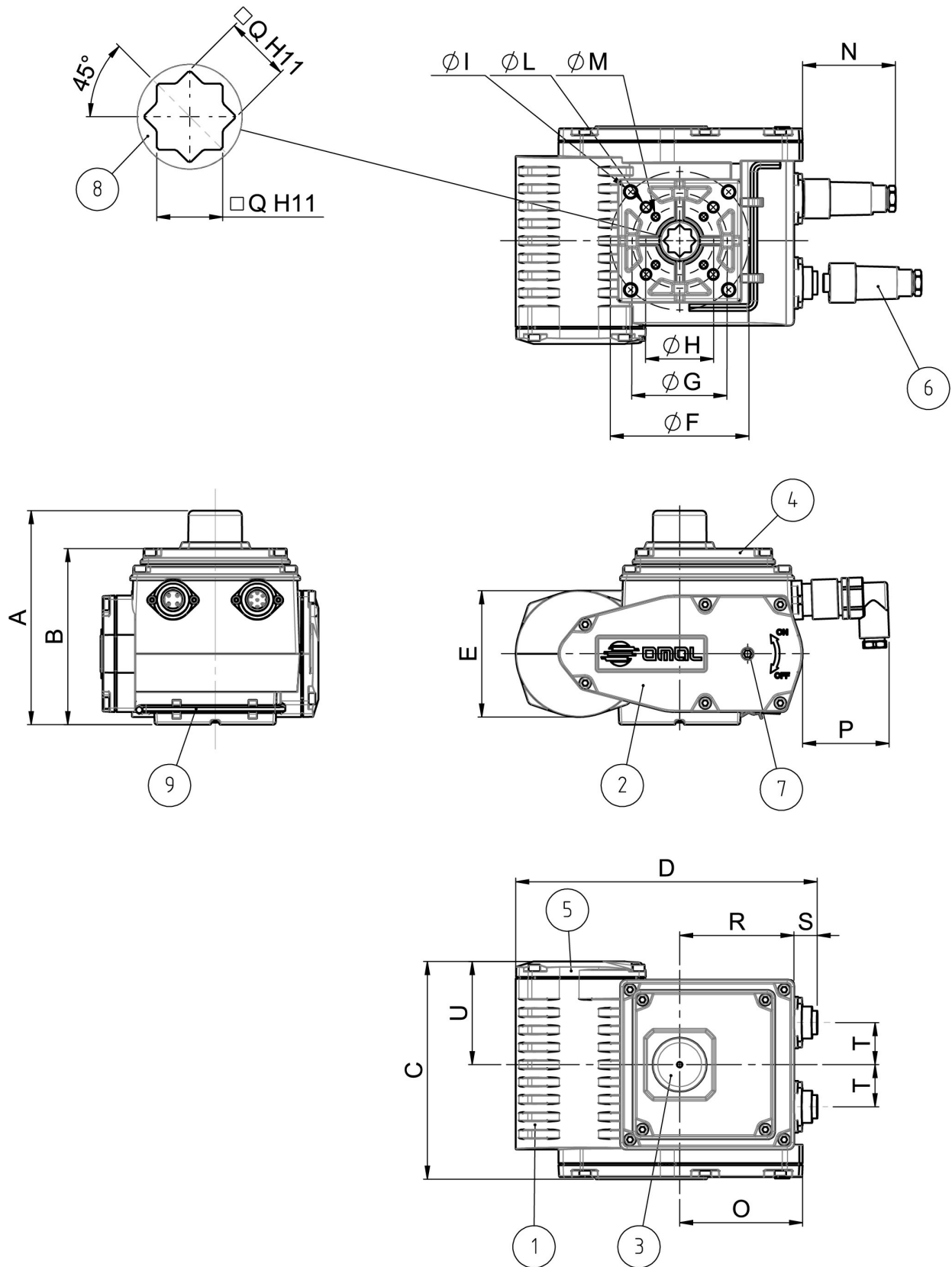
DIMENSIONS

	A	B	C	D	E	øF	øG	øH	øI	øL	øM	N	O	P	□Q	R	S	T	U	Kg
EA0035	142,1	137,5	132	172	84	70	50	36	M8x14	M6x11	M5x9	109,8	74	177,1	14	69	14	26	67,5	3,8
EA0070	142,1	137,5	136	172	84	70	50	--	M8x14	M6x11	--	109,8	74	177,1	14	69	14	26	67,5	4
EA0130	162,8	158,2	160	204,6	93	102	70	50	M10x17	M8x15	M6x11	109,8	90,5	211,1	17	84	12	31	76	7,4
EA0240	162,8	158,2	163,5	204,6	93	102	70	--	M10x17	M8x15	--	109,8	90,5	211,1	22	84	12	31	76	7,7



materials

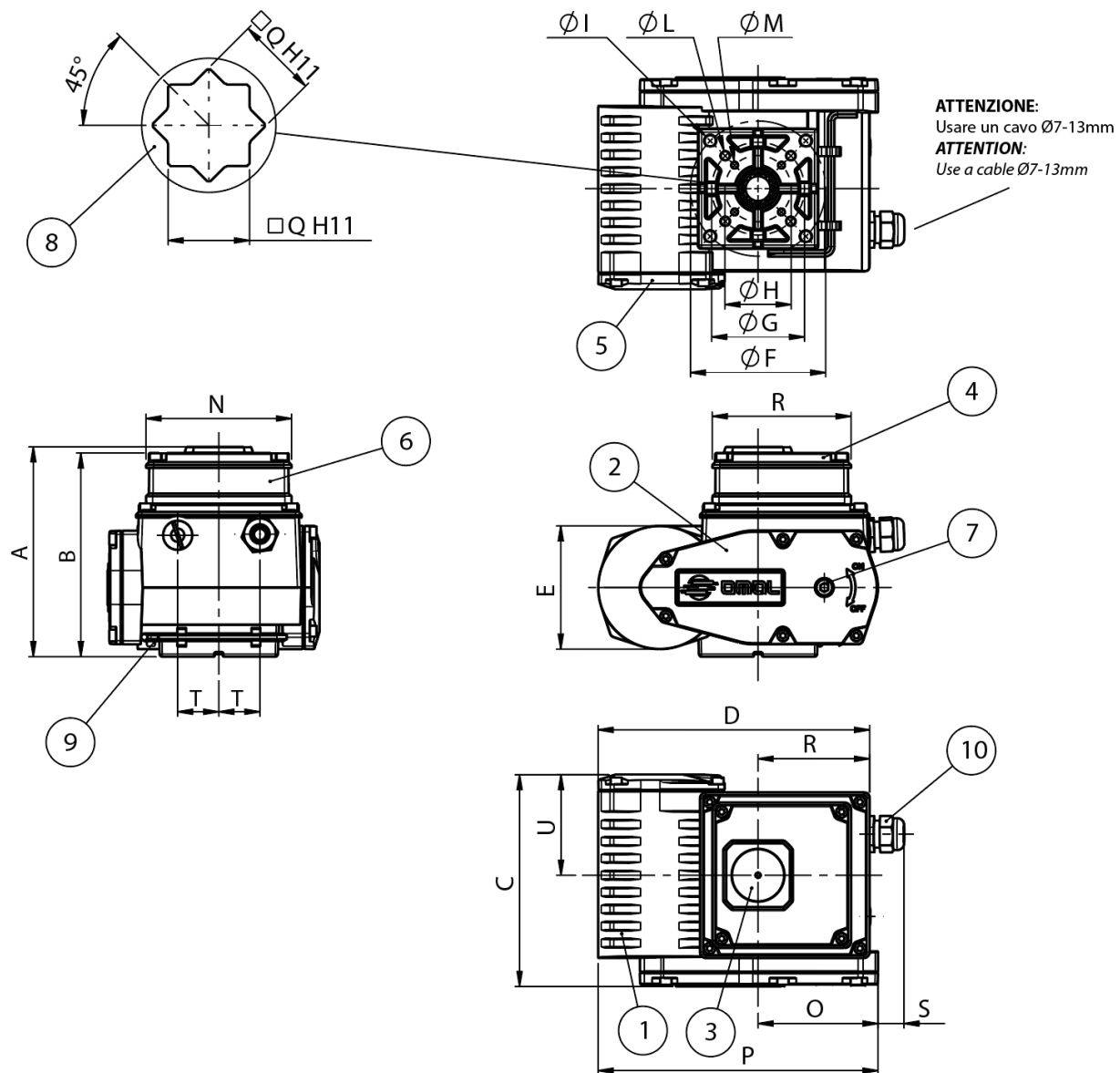
IP67 VERSION





MATERIALS		
1	Body	Aluminium
2	Gear box cap	Aluminium
3	Position indicator	PMMA
4	Electric-set cap	Aluminium
5	Terminal-box cap	Aluminium
6	Connector	PA6 / PBT
7	Lever connection	Steel
8	Female shaft	Stainless steel
9	Lever	Stainless steel

IP68 VERSION





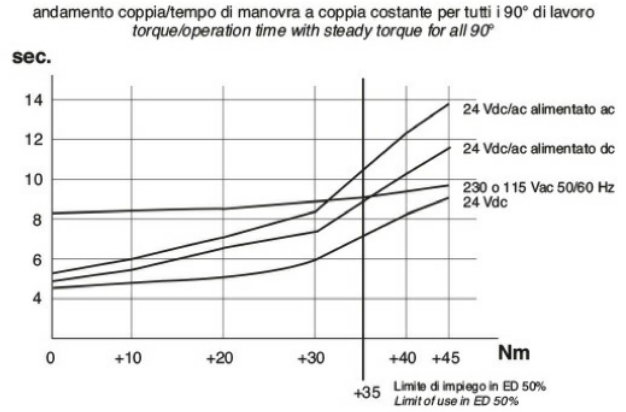
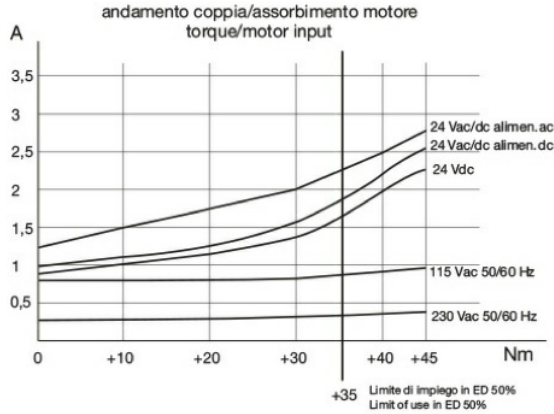
MATERIALS

MATERIALS		
1	Body	Aluminium
2	Gear box cap	Aluminium
3	Position indicator	PMMA
4	Electric-set cap	Aluminium
5	Terminal-box cap	Aluminium
6	Box H27	Aluminium
7	Lever connection	Steel
8	Female shaft	Stainless steel
9	Lever	Stainless steel
10	Cable gland	Brass

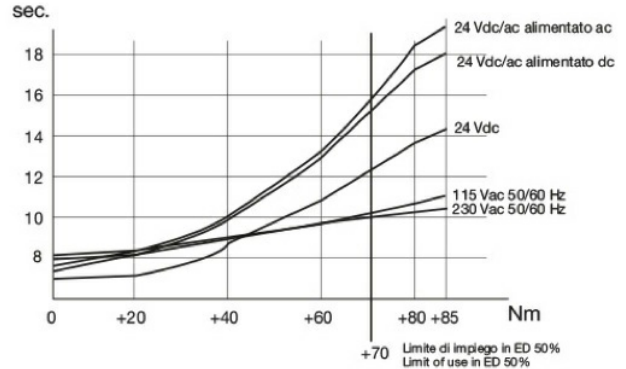
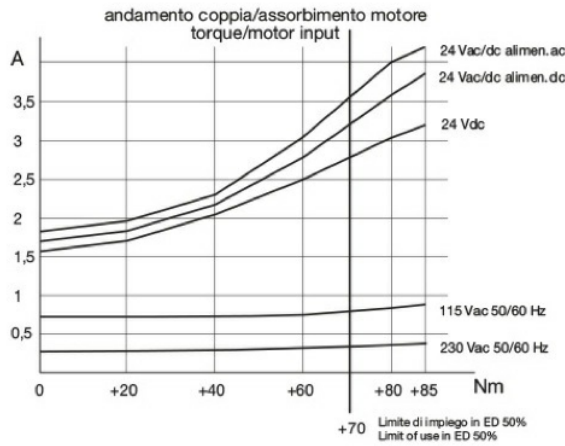


diagrams and breakaway torque

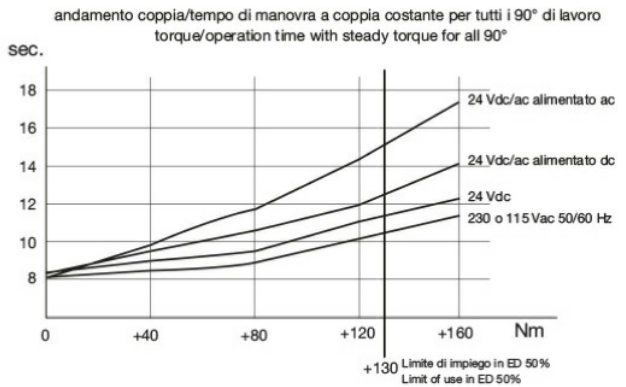
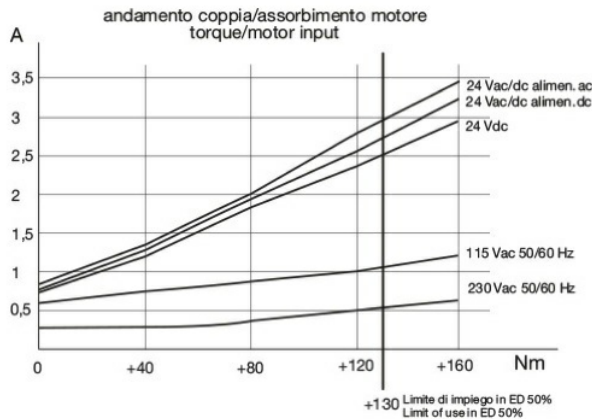
EA0035 WORKING DIAGRAMS



EA0070 WORKING DIAGRAMS

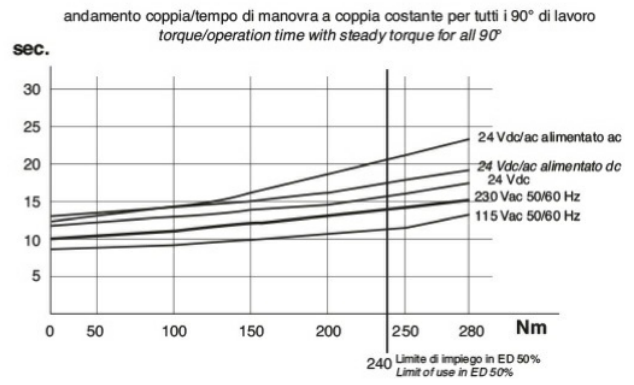
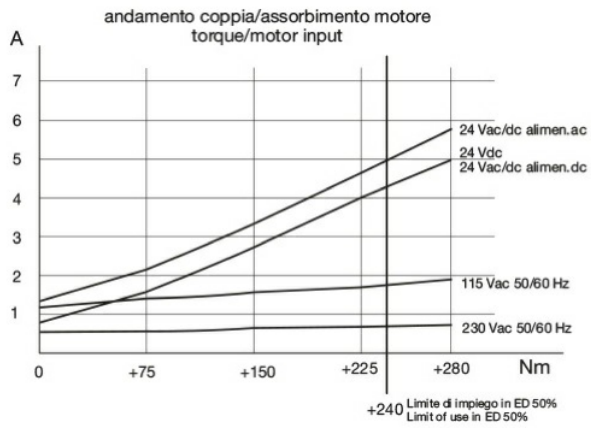


EA0130 WORKING DIAGRAMS



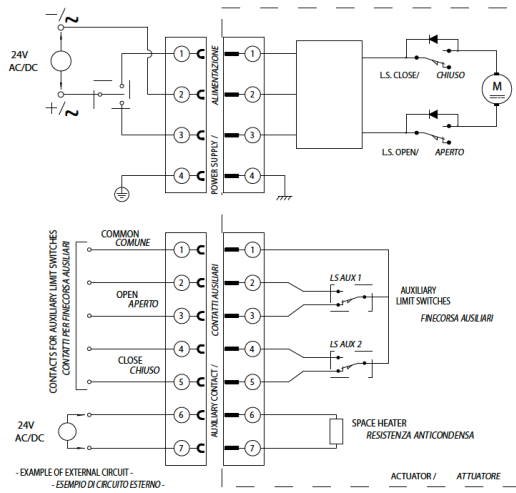


EA0240 WORKING DIAGRAMS

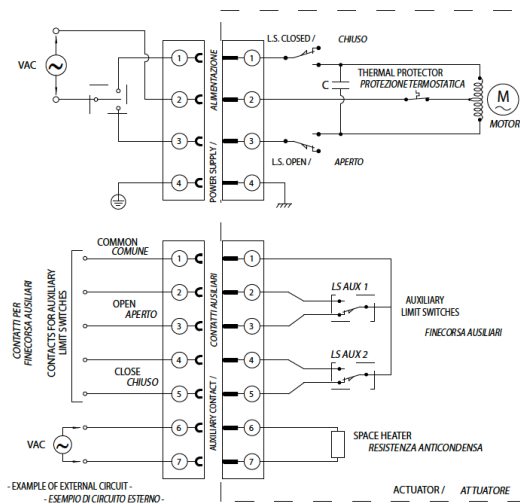


specifications

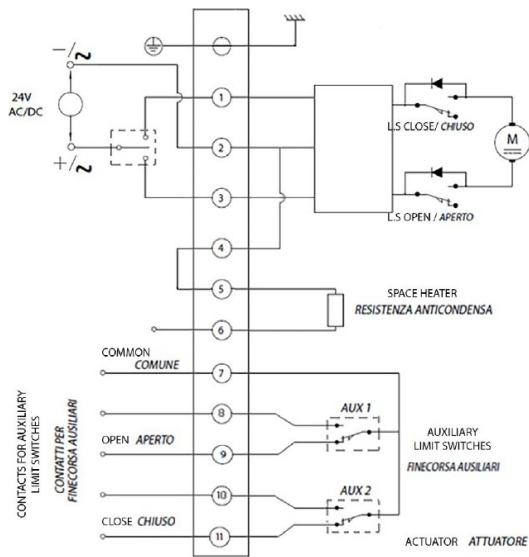
IP67 ELECTRIC WIRING FOR 24 Vac/dc - 24 Vdc SUPPLY



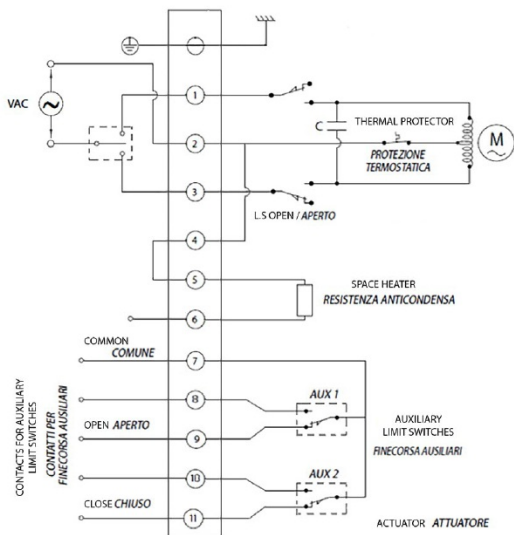
IP67 ELECTRIC WIRING FOR 115 - 230 Vac SUPPLY



**IP68 ELECTRIC WIRING FOR 24 Vac/dc - 24 Vdc
SUPPLY**



IP68 ELECTRIC WIRING FOR 115 - 230 Vac SUPPLY





OMAL[®]
A U T O M A T I O N

OMAL S.p.A. Società Benefit

Headquarters: Via Ponte Nuovo 11, Rodengo Saiano (Brescia) Italy

Production site: Via Brognolo 12, Passirano (Brescia) Italy

Ph +39 0308900145 Fax +39 0308900423

documents

Manuali

MANUALE UMA80565

