

AE ON-OFF rotary type electric actuator

Macro Electric actuators



features

TECHNICAL FEATURES

Actuator ON-OFF; working angle 90° (100° Max.).
Service 50%
Maximum torque from 10 to 1960 Nm. (see the table)
Supply voltage 230 Vac (±10%) 50/60 Hz 1Ph
Insulation resistance 100 M /500 Vdc
Tension insulation 1500 Vac/1 minute
Motor with Class E insulation
Working temperature from -25°C to + 55°C (for use in temperatures below 0°C, we suggest space heater elements)
Protection according to NEMA 4,4X rules (IP65)
Coupling flange for the valve from F03 to F14: ISO 5211.
Auto-reset thermostatic protection in the motor.
Open/close limit switch with cams adjustable along the whole stroke
Auxiliary limit switches with cams adjustable along the whole stroke
Safety adjustable mechanical limit switches.
Graduated visual position indicator
Detachable lever for manual operation
Electric connections with screw terminals
Locking of supply cables by means of cable presses.
Maximum working noise <70 dB (A).

OPTIONAL (MUST BE REQUESTED WHEN PLACING THE ORDER)

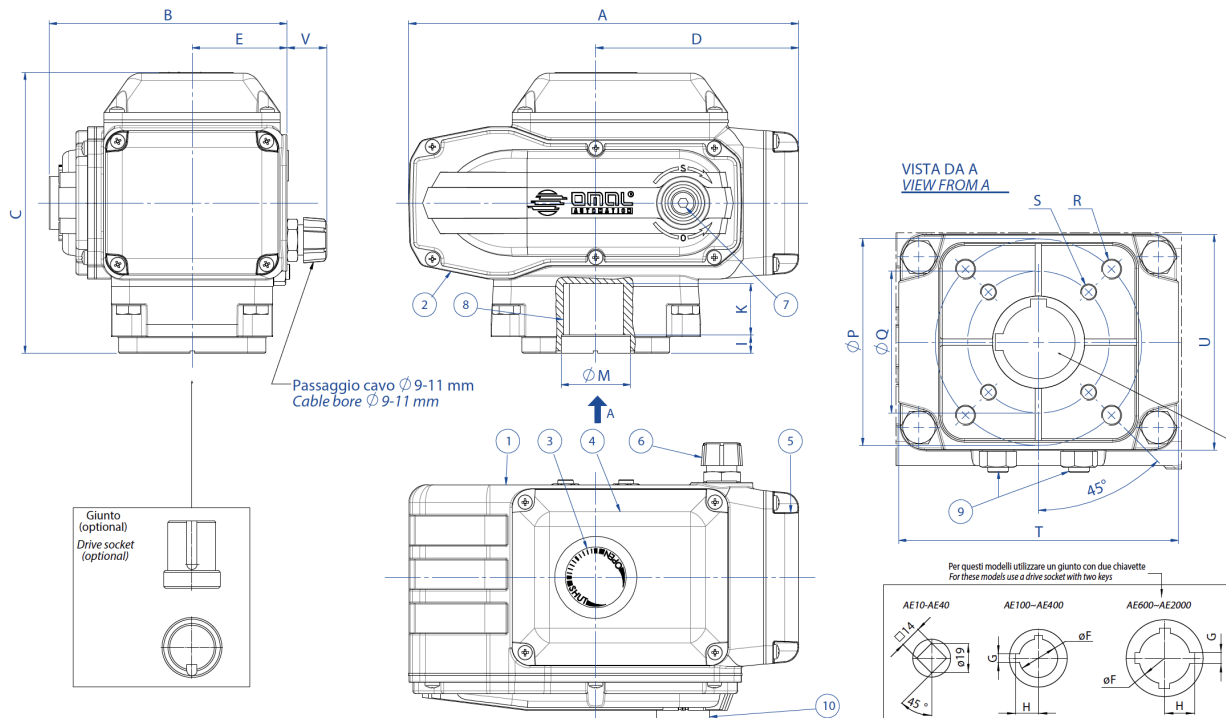
For availability of options on various models, see optional table:

Feeding voltage 115 Vac - 24 Vac - 24 Vdc.
Torque limiters.
Positional potentiometer 135 / 500 / 1K ohms.
Positional converter R/I 4÷20 mA DC.
Speed control unit 30÷240 s.
Space heater.
Emergency gear box (available on AE100 and AE200).
Drive socket.

DATA SHEET										
MODEL		AE 10	AE 40	AE 100	AE 200	AE 400	AE 600	AE 1000	AE 1500	AE 2000
Torque	Nm	20	49	98*	196	390*	590	980	1470	1960
Time of cycle (50 Hz)	sec.	4	15	30	30	30	30	30	45	60
Time of cycle (60 Hz)	sec.	3.3	12.5	25	25	25	25	25	38	50
Time of cycle 24Vdc	sec.	----	9.5	16	30	20	----	----	----	----
Power consumption 230Vac 50/60Hz A		0.25/0.30	0.25/0.30	0.30/0.35	0.50/0.55	0.7/0.9	0.9/1.0	1.3/1.4	1.6/1.7	1.6/1.7
Power consumption 115Vac 50/60Hz A		0.6/0.7	0.6/0.7	0.60/0.65	1.0/1.1	1.6/1.8	1.7/1.9	2.6/2.8	3.2/3.4	3.2/3.4
Power consumption 24Vac 50/60Hz A		1.2/1.3	1.2/1.3	1.7/1.8	2.3/2.4	7	----	----	----	----
Power consumption 24Vdc A		----	2	2.5	2	6.2	----	----	----	----

* Supply 24 Vdc: AE 100 68 Nm; AE 400 290 Nm.

dimensions



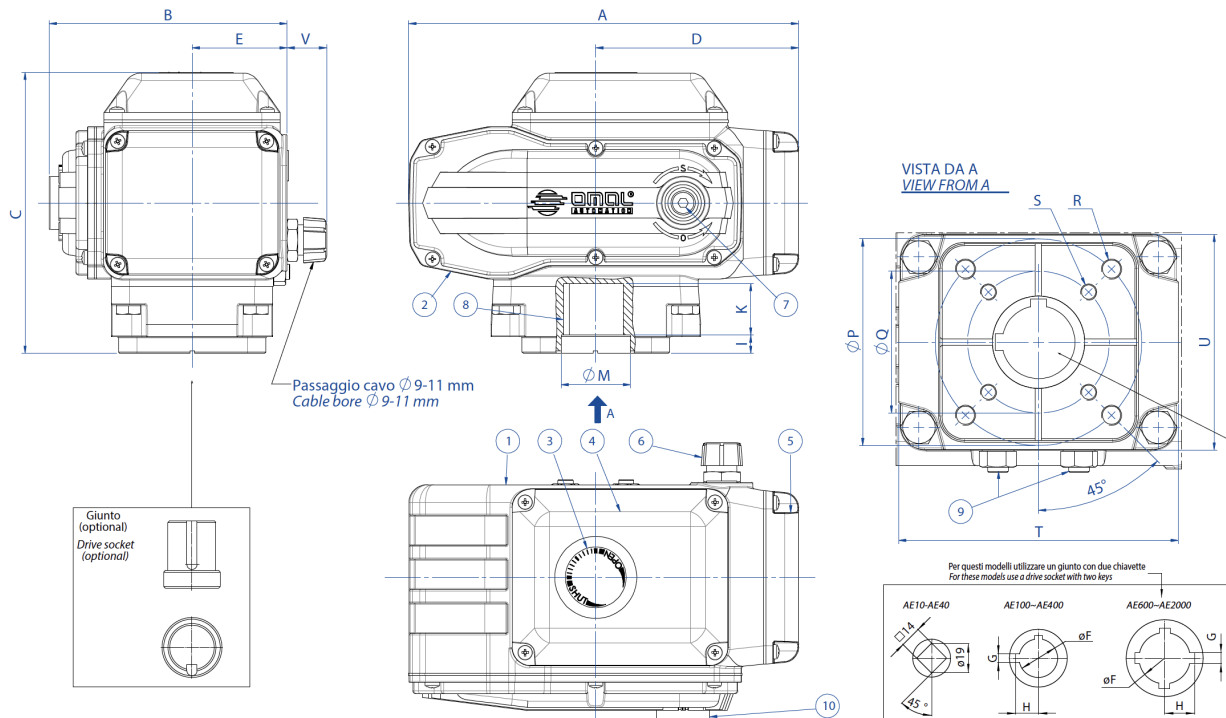
DIMENSIONS

MODEL	AE 10	AE 40	AE 100	AE 200	AE 400	AE 600	AE 1000	AE 1500	AE 2000
A mm.	158,5	158,5	207,5	256,5	256,5	381	381	381	381
B mm.	114,5	114,5	122,5	156,5	156,5	242	242	253,5	253,5
C mm.	119,5	119,5	163,5	185	185	234	234	234	234
D mm.	76	76	110	133,5	133,5	199,5	199,5	199,5	199,5
E mm.	51	51	54,5	62,5	62,5	105	105	105	105
\varnothing F mm.	----	----	28	36	36	56	56	56	56
G mm.	----	----	6	8	8	10	10	10	10
H mm.	----	----	16,5	21,3	21,3	31,3	31,3	31,3	31,3
I mm.	1	1	11,5	12	12	8	8	8	8
K mm.	16	16	29	34	34	54	54	54	54
L mm.	12	12	40,5	46	46	62	62	62	62
\varnothing M mm.	26	26	35	40	40	65	65	65	65
\varnothing P mm.	50 F05*	50 F05*	70 F07	102 F10	102 F10	125 F12 **	125 F12 **	140 F14	140 F14
\varnothing Q mm.	36 F03*	36 F03*	50 F05	70 F07	70 F07	102 F10 **	102 F10 **	----	----
R x prof. depth mm.	M6x12*	M6x12*	M8x12	M10x16	M10x16	M12x20 **	M12x20 **	M16x25	M16x25
S x prof. depth mm.	M5x10*	M5x10*	M6x10	M8x8	M8x8	M10x20 **	M10x20 **	----	----
T mm.	80	80	98	135	135	160	160	160	160
U mm.	72	72	86	106	106	140	140	140	140
V mm.	26	26	26	26	26	----	----	----	----
Weight Kg.	2,7	2,7	4,5	8,5	9	20,5	21,5	22,5	22,5

* On request the flange is available with M5x10 on \varnothing 42 F04 holes

** On request the flange is available with M16x25 on \varnothing 100 F14 holes

materials

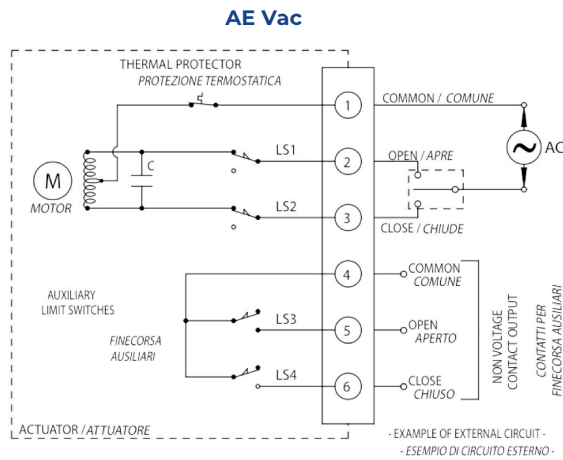


MATERIALS

1	Body	Aluminium
2	Gear box cap	Aluminium
3	Position indicator	Glass
4	Electric-set cap	Aluminium
5	Terminal-box cap	Aluminium
6	Cable gland	Zinc alloy (AE 10 - AE 40: Nylon)
7	Lever connection	Steel
8	Female shaft	Zinc alloy (AE 1500 - AE 2000: Steel)
9	Security stops	Stainless steel
10	Protections for lever connection	NBR
11	Lever (not represented)	Stainless steel

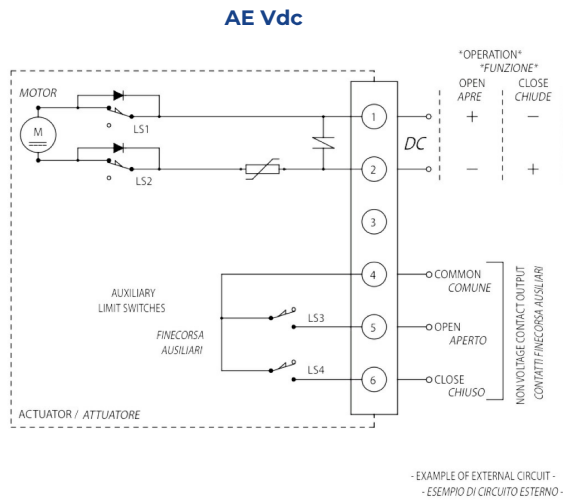
specifications

ELECTRIC PLAN AND CONNECTION EXAMPLES



Electrical actuator ON-OFF AE10-AE40 type

Example of standard connection circuit with alternative tension feeding.



Electrical actuator ON-OFF AE type

Example of standard connection circuit with direct tension feeding.

accessories

EXTRA ACCESSORIES FOR ELECTRICAL ACTUATORS AND CORRESPONDANT IDENTIFICATION																		
ON - OFF	Rated Voltage				Limit switches (2pcs)	Optional Extra												
	AC			DC		Potentiometer (*)			Torque limiter		Space heatera	R/I converter 4-20mA (*)	Speed controller	Declutch type hand wheel				
	230 V	115 V	24 V	24 V		135 ohm	500 ohm	1000 ohm	Close	Open/Close								
Model					AL2	AP1	AP2	AP3	AT1	AT5	AT2	AT6	ASH	ARI	ASC	AHW		
AE 10	•	•	•		STD all models	•	•	•						•		•	•	
AE 40	•	•	•			•	•	•	•						•	•	•	•
AE 40				•		•	•	•	•	•					•	•		•
AE 100	•	•	•			•	•	•	•	•		•			•	•	•	•
AE 100 (68 Nm)				•		•	•	•	•	•		•			•	•		•
AE 200	•	•	•			•	•	•	•	•		•			•	•	•	•
AE 200				•		•	•	•	•	•		•			•	•		•
AE 400	•	•				•	•	•	•	•		•			•	•	•	
AE 400 (294 Nm)				•		•	•	•	•	•		•			•	•		
AE 600	•	•				•	•	•	•		•		•		•	•	•	
AE 1000	•	•				•	•	•	•		•		•		•	•	•	
AE 1500	•	•				•	•	•	•		•		•		•	•	•	
AE 2000	•	•				•	•	•	•		•		•		•	•	•	

(*) Potentiometer and R/I converter not available at same time.

documents

Manuals

[MANUALE 8_0245](#)