

ARES manual drive valve



Macro [Pneumatic valves](#)

Category [Angle seat valves](#)

Subcategory [ARES manual drive](#)

features

GENERAL FEATURES:

Body valve material: A351-CF8M (316 S.S.).

Valve ends: see code plan.

Assembling is possible in all positions: upright, flat or angled.

Range available from DN 10 to DN 50.

Locking device version available

2014/34/EU ATEX configuration to request at time of order.

On request: versions for vacuum and oxygen service

OPERATING MEDIA:

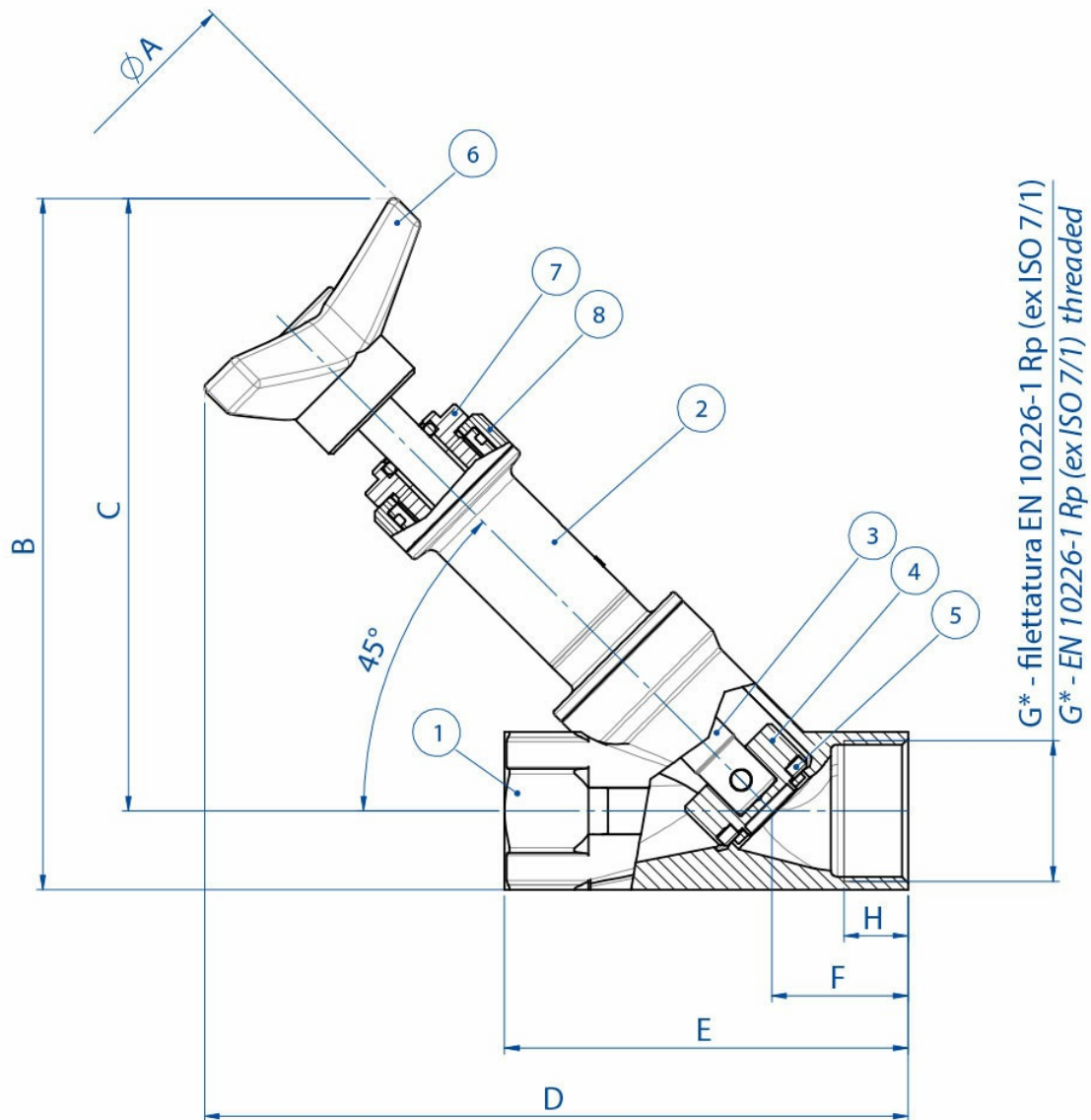
Air, water, alcohol, oil, petroleum products, saline solutions, steam, etc. (as long as compatible with A 351 CF8M(316) e PTFE).

Pressure from 0 to 25 bar (steam from 180°C, from 0 to 10 bar) depending on the model chosen.

Temperature from -10°C to 180°C.

Max. viscosity 600 cst (mm²/s).

dimensions

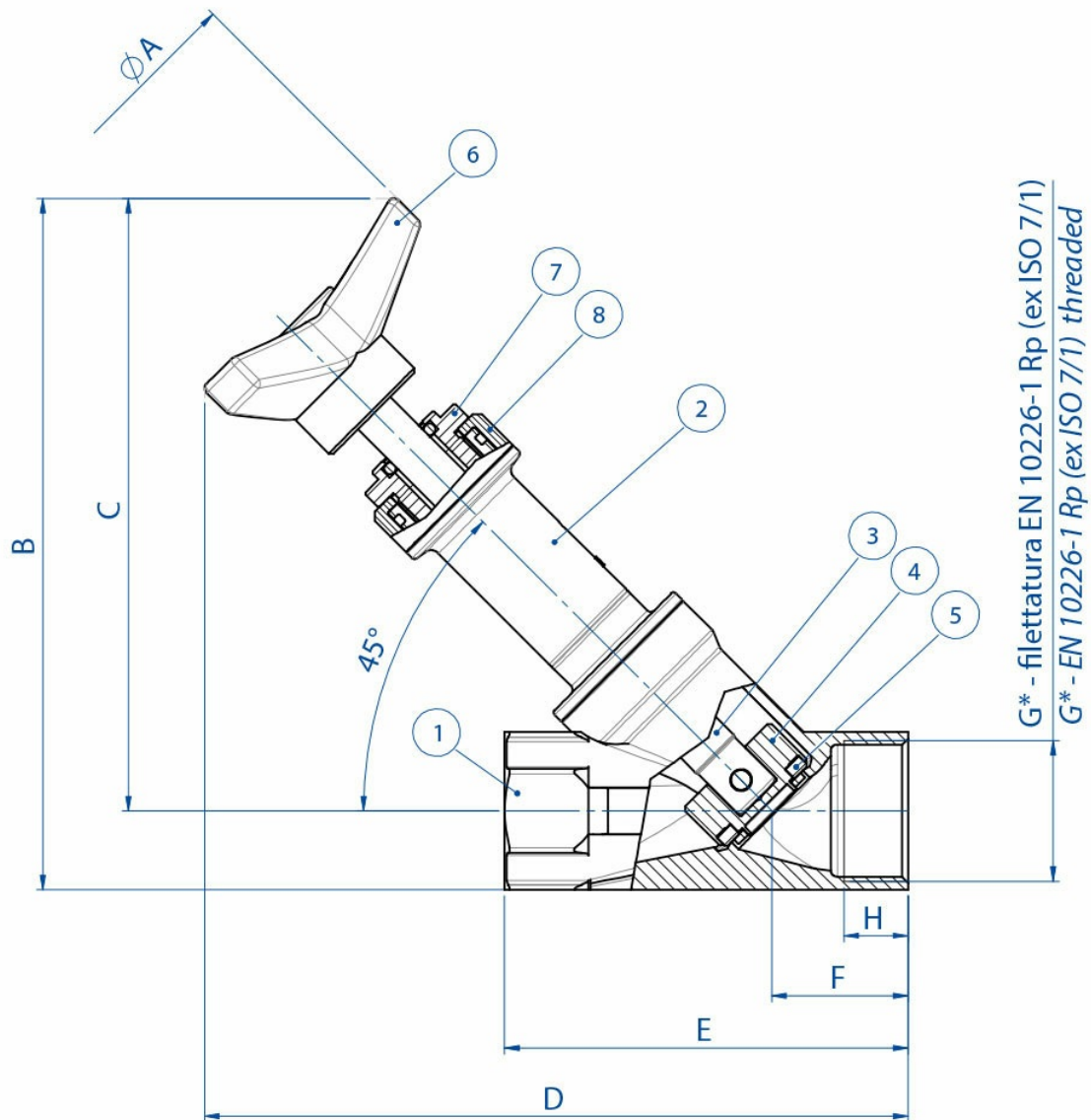


*A richiesta filetto NPT *NPT on request*

DIMENSIONS								
DN [mm]	G* [inch]	∅A	B	C	D	E	F	H
15	3/8"	63	138,5	126	169	85	34,5	12
15	1/2"	63	138,5	126	169	85	34,5	15
20	3/4"	63	148,5	133	176,2	95	34,7	16,3
25	1"	63	152	133	178,1	105	36,6	19,5
32	1 1/4"	100	191,5	168	222,5	120	40,5	19
40	1 1/2"	100	197	170	225	130	41	18
50	2"	100	213	180	239,5	150	45,5	20

* NPT on request

materials



*A richiesta filetto NPT *NPT on request*

MATERIALS			
N°	Description		Materials
1	Valve body		CF8M (316 S.S.)
2	Sleeve		CF8M (316 S.S.)
3	Stem		316L S.S.
4	Plug		316L S.S.
5	Plug seals		PTFE
6	Hand grip		Tecnopolymer
7	Gland Nut		304 S.S.
8	Bush		Aluminium Alloy

documents

Certificati

ATEX - Pneumatic Valves

PED

UKCA

Istruzioni

ISTRUZIONI USO 8_0843