



**Warning:** filectime(): stat failed for /var/www/vhost/www.omal.it/htdocs/https://www.omal.it./FilesProdotti/80843-Angleseatvalves-IT-EN-DE-ES-0522.pdf in /var/www/vhost/www.omal.it/htdocs/prodotto-printable.php on line 65

**Warning:** filectime(): stat failed for /var/www/vhost/www.omal.it/htdocs/https://www.omal.it./FilesProdotti/CE-PEDMod.H.pdf in /var/www/vhost/www.omal.it/htdocs/prodotto-printable.php on line 65

**Warning:** filectime(): stat failed for /var/www/vhost/www.omal.it/htdocs/https://www.omal.it./FilesProdotti/UKCA-PER-H.pdf in /var/www/vhost/www.omal.it/htdocs/prodotto-printable.php on line 65

## ARES manual drive pneumatic valve



Macro [Pneumatic valves](#)

Category [Angle seat valves](#)

Subcategory [ARES manual drive](#)

### features

#### GENERAL FEATURES:

Body valve material: A351-CF8M (316 S.S.).

Valve ends: see code plan.

Assembling is possible in all positions: upright, flat or angled.

Range available from DN 10 to DN 50.

Locking device version available

2014/34/EU ATEX configuration to request at time of order.

On request: versions for vacuum and oxygen service

#### OPERATING MEDIA:

Air, water, alcohol, oil, petroleum products, saline solutions, steam, etc. (as long as compatible with A 351 CF8M(316) e PTFE).

Pressure from 0 to 25 bar (steam from 180°C, from 0 to 10 bar) depending on the model chosen.

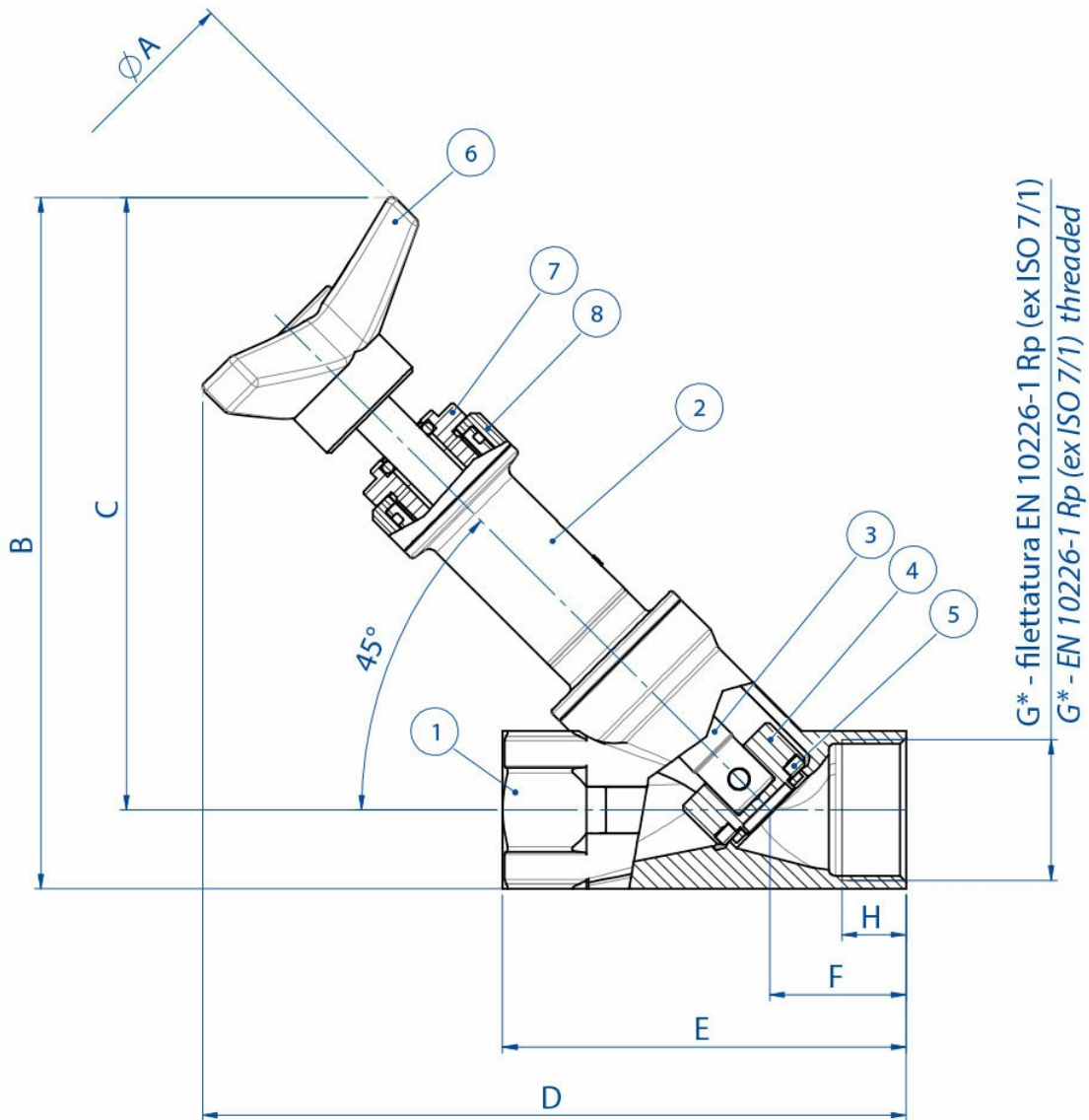
Temperature from -10°C to 180°C.

Max. viscosity 600 cst (mm<sup>2</sup>/s).





dimensions



G\* - filettatura EN 10226-1 Rp (ex ISO 7/1)  
G\* - EN 10226-1 Rp (ex ISO 7/1) threaded

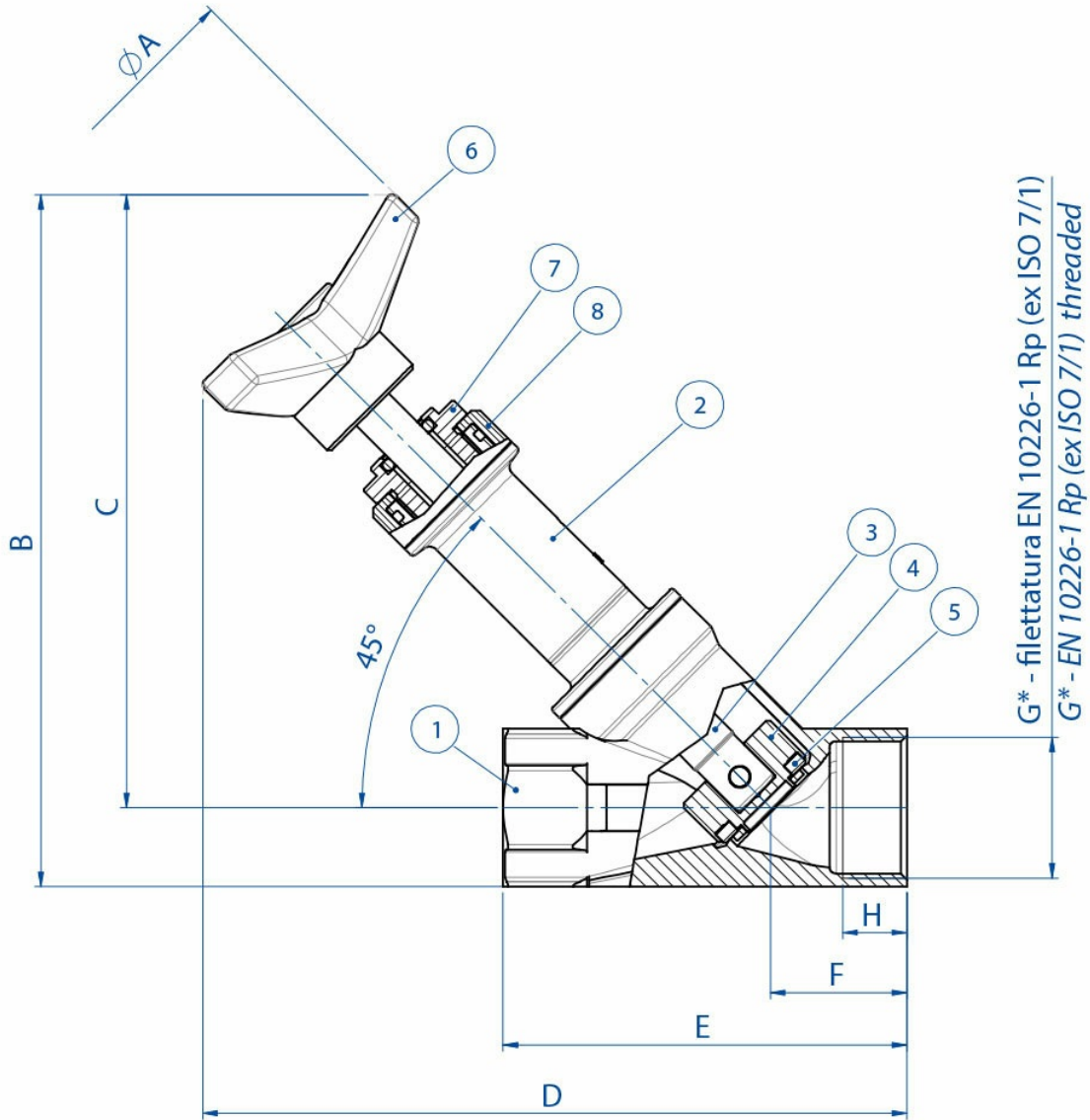
\*A richiesta filetto NPT NPT on request

DIMENSIONS								
DN [mm]	G* [inch]	øA	B	C	D	E	F	H
15	3/8"	63	138,5	126	169	85	34,5	12
15	1/2"	63	138,5	126	169	85	34,5	15
20	3/4"	63	148,5	133	176,2	95	34,7	16,3
25	1"	63	152	133	178,1	105	36,6	19,5
32	1 1/4"	100	191,5	168	222,5	120	40,5	19
40	1 1/2"	100	197	170	225	130	41	18
50	2"	100	213	180	239,5	150	45,5	20

\* NPT on request



materials



G\* - filettatura EN 10226-1 Rp (ex ISO 7/1)  
G\* - EN 10226-1 Rp (ex ISO 7/1) threaded

\*A richiesta filetto NPT    *NPT on request*

MATERIALS		
N°	Description	Materials
1	Valve body	CF8M (316 S.S.)
2	Sleeve	CF8M (316 S.S.)
3	Stem	316L S.S.
4	Plug	316L S.S.
5	Plug seals	PTFE
6	Hand grip	Tecnopolymer
7	Gland Nut	304 S.S.
8	Bush	Aluminium Alloy



**OMAL**<sup>®</sup>  
**A U T O M A T I O N**

**OMAL S.p.A. Società Benefit**

Headquarters: Via Ponte Nuovo 11, Rodengo Saiano (Brescia) Italy

Production site: Via Brognolo 12, Passirano (Brescia) Italy

Ph +39 0308900145 Fax +39 0308900423

## documents

### Istruzioni

[ISTRUZIONI USO 8\\_0843](#)

### Certificati

[PED](#)

[UKCA](#)

