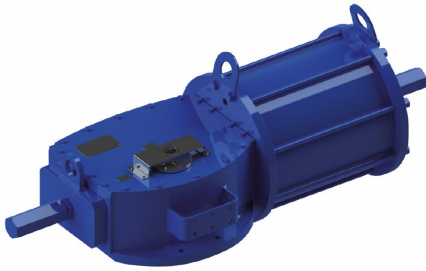


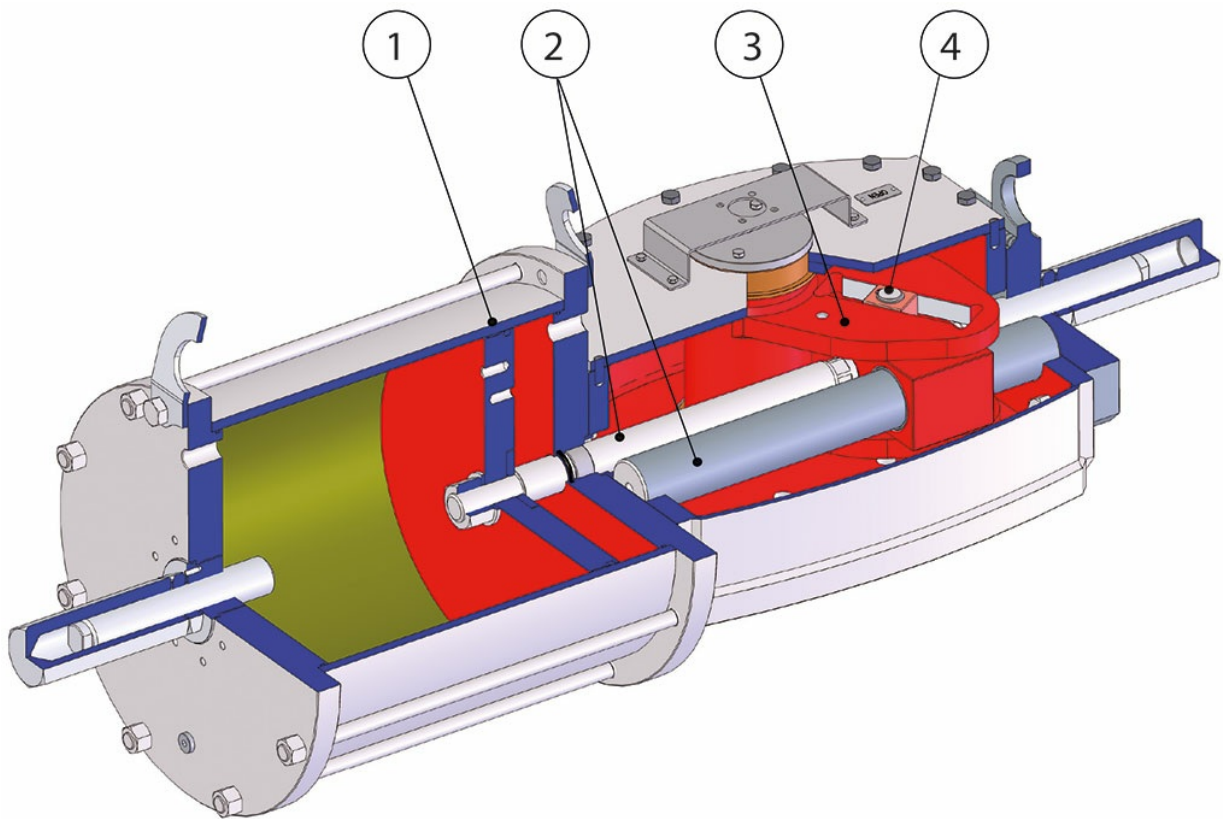
Actionneur pneumatique double effet DA Heavy Duty acier carbone



Macro Actionneurs pneumatiques

Catégorie Actionneurs Heavy Duty acier carbone

avantages



1 Bandes de glissement en PTFE remplies de graphite

Réduction du frottement entre piston et vérin

Évite que les bandes de glissement ne se collent au vérin, même après de longues périodes d'immobilisation

Réduit l'effet « stick-slip »

2 Tige et barre de guidage réalisées en acier chromé avec dureté d'environ 200 HB

Plus grande résistance à la corrosion

Réduction du frottement entre la tige, la barre de guidage et les douilles de guidage, ce qui réduit l'usure des pièces

3 Système de transformation du mouvement linéaire en mouvement rotatif séparé du fluide de commande de l'actionneur.

Possibilité d'alimenter l'actionneur avec des gaz techniques

Les atmosphères explosives sont évitées

4 Bielle-manivelle avec frottement de roulement (transformation du mouvement linéaire en mouvement de rotation par système sans engrenages).

Réduction du frottement entre le piston et l'arbre, ce qui réduit l'usure des pièces

Moment de torsion accru en phase d'ouverture et de fermeture

Douilles en bronze

Garantissent une usure moindre par rapport aux douilles réalisées dans d'autres matériaux.

ATEX Compliance

Permet une installation en présence d'un milieu potentiellement explosif.

Certifié jusqu'à SIL 3

Niveau élevé de sécurité fonctionnelle

caractéristiques

Données techniques:

Couples nominaux: d'environ 2000 Nm à 32 000 Nm.

Brides suivant DIN / ISO 5211, DIN 3337.

Rotation angle: 100° (-5°, +95°).

Double adjusting +5° and -5° for each end position (0° and 90°).

Pression d'alimentation: de 3 bar à 8,5 bar (pour les couples délivrés, voir les tableaux).

Pour la version à double effet, le moment de torsion est directement proportionnel à la pression d'alimentation de l'actionneur.

Pour la version à simple effet, le moment de torsion de rappel (absence d'alimentation dans l'actionneur) dépend uniquement de l'action du ressort, indépendamment de la pression d'alimentation.

Réalisations disponibles: Double effet, rappel à ressort normalement fermé (NF), rappel à ressort normalement ouvert (NO).

Configurations du corps central: Bielle-manivelle symétrique (symmetrical) ou dissymétrique (canted)

Conditions de fonctionnement:

Plage de température: Version standard: -20°C à + 80°C (Matériau garnitures: NBR).

Fluide d'alimentation: air comprimé filtré, pas nécessairement lubrifié, gaz inertes, gaz techniques

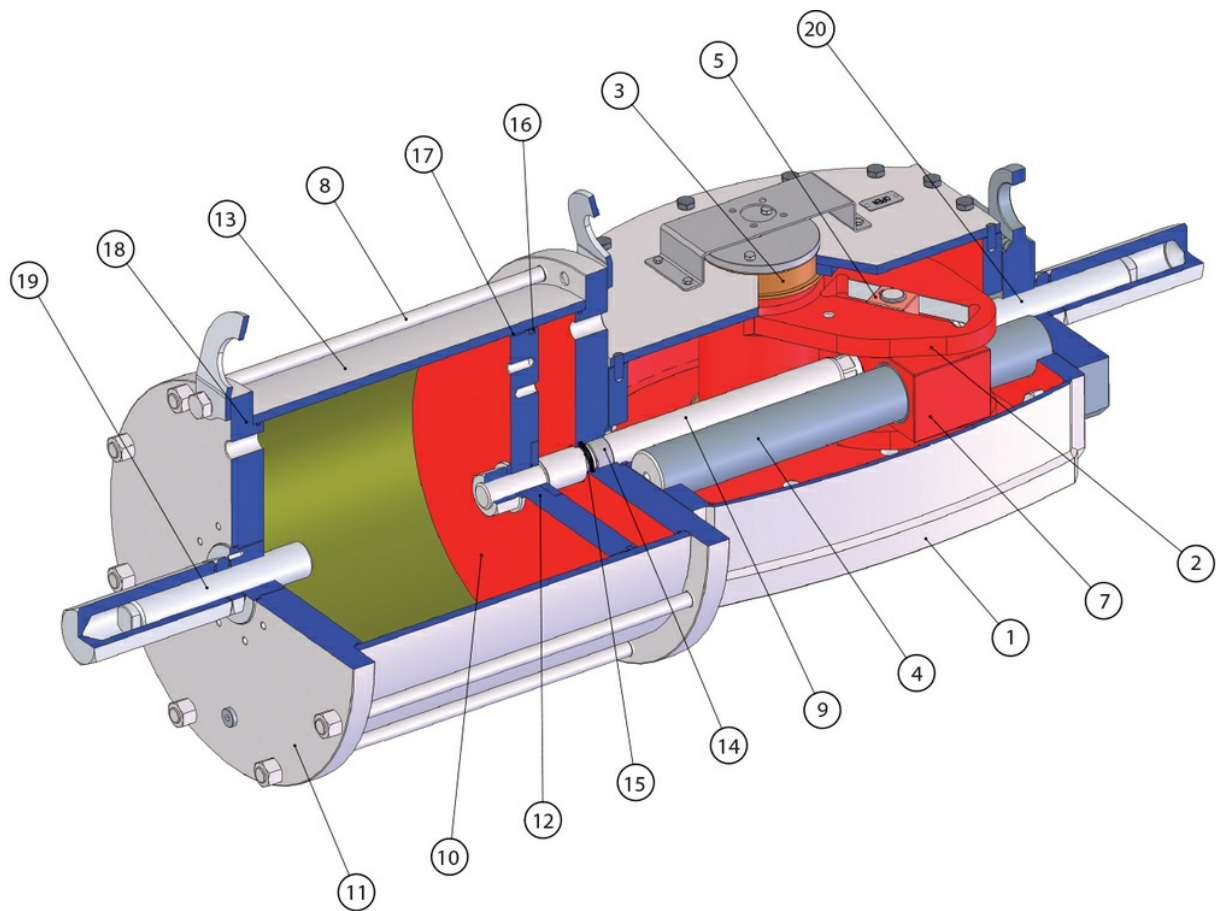
Pour des températures inférieures à 0°C, utilisez de l'air sec.

Si vous utilisez de l'air lubrifié, utilisez une huile non détergente compatible avec le matériau d'étanchéité.

Normes de conception:

Conception conforme aux normes EN 15714-3, ISO 5211, ISO 12490.

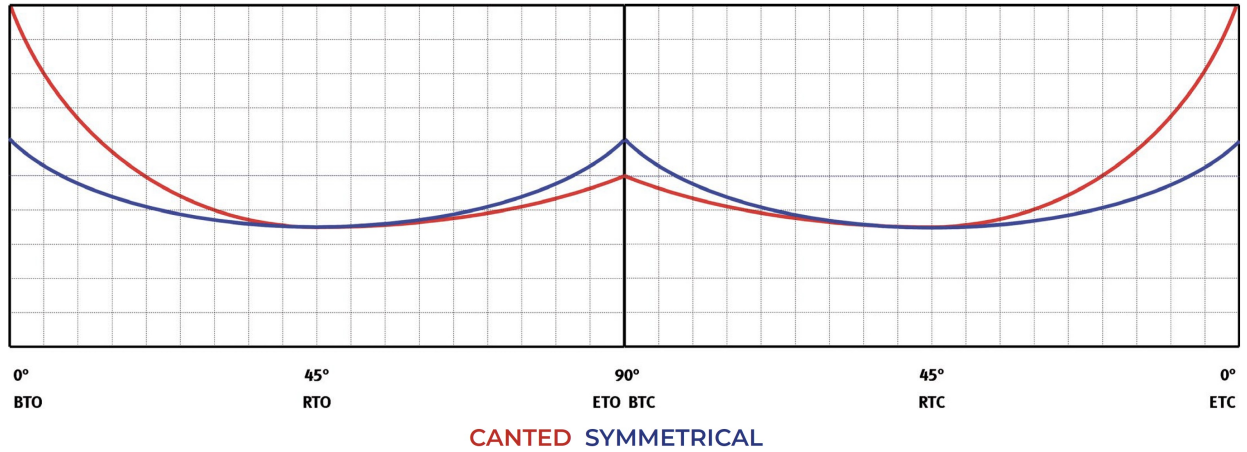
matériaux



Pos	Description	Matériaux
1	Corps central	Acier au carbone
2	Bielle-manivelle	Acier au carbone
3	Douille bielle-manivelle	Bronze
4	Barre de guidage	Alliage d'acier (chromé)
5	Palier de guidage	Bronze
6	Vanne de purge (non montrée)	Laiton
7	Bloc de guidage	Acier au carbone
8	Goujon	Alliage d'acier
9	Tige piston	Alliage d'acier (chromé)
10	Piston	Acier au carbone
11	Bride	Acier au carbone
12	Joint torique	Nitrilic rubber
13	Vérin	Acier au carbone (nickelé)
14	Bague tige piston	Acier+bronze+PTFE
15	Garniture	NBR+polyuréthane
16	Joint torique	Nitrilic rubber
17	Bague de guidage	PTFE + graphite
18	Joint torique	Nitrilic rubber
19	Vis sans tête de réglage	Alliage d'acier
20	Vis sans tête de réglage	Alliage d'acier

diagrammes et couples de démarrage

Double effet - Tableau des couples (moments de torsion)



Numéro de modèle	Couple max. Nm	3 BAR CANTED Torque Output (Nm)					
		BTO	RTO	ETO	BTC	RTC	ETC
DAHG-085C-235A-D1	9.000	2.327	908	1.289	1.229	895	2.528
DAHG-085C-280A-D1	9.000	3.304	1.290	1.830	1.754	1.278	3.607
DAHG-085C-335A-D1	9.000	4.730	1.847	2.620	2.513	1.830	5.167
DAHG-085C-385A-D1	9.000	6.269	2.448	3.472	3.340	2.433	6.867
DAHG-085C-435A-D1	9.000	8.030	3.135	4.448	4.286	3.122	8.812
DAHG-100C-335A-D1	18.000	5.637	2.229	3.122	2.995	2.238	6.157
DAHG-100C-385A-D1	18.000	7.471	2.955	4.138	3.980	2.974	8.183
DAHG-100C-435A-D1	18.000	9.570	3.785	5.300	5.107	3.816	10.502
DAHG-100C-485A-D1	18.000	11.896	4.705	6.589	6.357	4.750	13.071
DAHG-100C-535A-D1	18.000	14.441	5.665	7.921	7.664	5.625	15.794
DAHG-130C-385A-D1	32.000	9.808	3.830	5.433	5.212	3.797	10.715
DAHG-130C-435A-D1	32.000	12.564	4.906	6.960	6.677	4.864	13.728
DAHG-130C-485A-D1	32.000	15.618	6.098	8.651	8.319	6.060	17.102
DAHG-130C-535A-D1	32.000	19.069	7.446	10.563	10.173	7.410	20.914
DAHG-130C-585A-D1	32.000	22.877	8.933	12.672	12.219	8.901	25.121
DAHG-130C-635A-D1	32.000	27.046	10.561	14.982	14.459	10.533	29.725

Numéro de modèle	Couple max. Nm	3 BAR SYMMETRICAL Torque Output (Nm)					
		BTO	RTO	ETO	BTC	RTC	ETC
DAHG-085S-235A-D1	9.000	1.482	920	1.620	1.457	906	1.593
DAHG-085S-280A-D1	9.000	2.104	1.306	2.300	2.079	1.293	2.273
DAHG-085S-335A-D1	9.000	3.012	1.870	3.293	2.979	1.852	3.256
DAHG-085S-385A-D1	9.000	3.992	2.478	4.364	3.959	2.462	4.327
DAHG-085S-435A-D1	9.000	5.114	3.174	5.590	5.080	3.160	5.553
DAHG-100S-335A-D1	18.000	3.585	2.225	3.918	3.532	2.197	3.861
DAHG-100S-385A-D1	18.000	4.751	2.949	5.193	4.699	2.922	5.136
DAHG-100S-435A-D1	18.000	6.086	3.778	6.652	6.020	3.744	6.580
DAHG-100S-485A-D1	18.000	7.565	4.696	8.269	7.499	4.664	8.197
DAHG-100S-535A-D1	18.000	9.172	5.732	10.116	9.107	5.692	10.044
DAHG-100S-585A-D1	18.000	10.966	6.854	12.095	10.901	6.813	12.024
DAHG-130S-385A-D1	32.000	6.247	3.877	6.828	6.178	3.842	6.753
DAHG-130S-435A-D1	32.000	8.002	4.967	8.746	7.915	4.922	8.651
DAHG-130S-485A-D1	32.000	9.947	6.174	10.873	9.860	6.132	10.777
DAHG-130S-535A-D1	32.000	12.145	7.539	13.275	12.058	7.499	13.180
DAHG-130S-585A-D1	32.000	14.570	9.044	15.926	14.483	9.008	15.831
DAHG-130S-635A-D1	32.000	17.225	10.692	18.828	17.138	10.659	18.733

Numéro de modèle	Couple max. Nm	3,5 BAR CANTED Torque Output (Nm)					
		BTO	RTO	ETO	BTC	RTC	ETC
DAHG-085C-235A-D1	9.000	2.725	1.064	1.509	1.439	1.048	2.960
DAHG-085C-280A-D1	9.000	3.868	1.510	2.143	2.054	1.496	4.223
DAHG-085C-335A-D1	9.000	5.537	2.162	3.067	2.942	2.143	6.049
DAHG-085C-385A-D1	9.000	7.335	2.864	4.063	3.908	2.847	8.035
DAHG-085C-435A-D1	9.000						
DAHG-100C-335A-D1	18.000	6.589	2.573	3.650	3.489	2.541	7.173
DAHG-100C-385A-D1	18.000	8.729	3.408	4.835	4.638	3.379	9.536
DAHG-100C-435A-D1	18.000	11.176	4.364	6.190	5.940	4.327	12.211
DAHG-100C-485A-D1	18.000	13.879	5.489	7.687	7.417	5.542	15.250
DAHG-100C-535A-D1	18.000						
DAHG-130C-385A-D1	32.000	11.476	4.481	6.357	6.099	4.443	12.538
DAHG-130C-435A-D1	32.000	14.694	5.737	8.139	7.809	5.689	16.055
DAHG-130C-485A-D1	32.000	18.266	7.132	10.118	9.729	7.087	20.001
DAHG-130C-535A-D1	32.000	22.290	8.704	12.347	11.891	8.662	24.447
DAHG-130C-585A-D1	32.000	26.729	10.437	14.806	14.276	10.400	29.350
DAHG-130C-635A-D1	32.000						

Numéro de modèle	Couple max. Nm	3,5 BAR SYMMETRICAL Torque Output (Nm)					
		BTO	RTO	ETO	BTC	RTC	ETC
DAHG-085S-235A-D1	9.000	1.735	1.077	1.897	1.706	1.061	1.865
DAHG-085S-280A-D1	9.000	2.463	1.529	2.693	2.435	1.514	2.661
DAHG-085S-335A-D1	9.000	3.526	2.189	3.855	3.487	2.169	3.812
DAHG-085S-385A-D1	9.000	4.671	2.900	5.106	4.632	2.881	5.063
DAHG-085S-435A-D1	9.000	5.981	3.712	6.538	5.942	3.695	6.495
DAHG-100S-335A-D1	18.000	4.196	2.605	4.587	4.135	2.572	4.520
DAHG-100S-385A-D1	18.000	5.559	3.451	6.076	5.498	3.419	6.010
DAHG-100S-435A-D1	18.000	7.117	4.418	7.780	7.040	4.379	7.695
DAHG-100S-485A-D1	18.000	8.848	5.492	9.671	8.770	5.455	9.587
DAHG-100S-535A-D1	18.000	10.700	6.688	11.802	10.625	6.641	11.718
DAHG-100S-585A-D1	18.000	12.794	7.996	14.111	12.718	7.949	14.027
DAHG-130S-385A-D1	32.000	7.309	4.537	7.989	7.229	4.496	7.901
DAHG-130S-435A-D1	32.000	9.358	5.809	10.229	9.256	5.757	10.118
DAHG-130S-485A-D1	32.000	11.633	7.221	12.716	11.531	7.172	12.604
DAHG-130S-535A-D1	32.000	14.196	8.812	15.517	14.095	8.766	15.406
DAHG-130S-585A-D1	32.000	17.023	10.567	18.607	16.921	10.524	18.496
DAHG-130S-635A-D1	32.000	20.115	12.486	21.987	20.013	12.448	21.876

Numéro de modèle	Couple max. Nm	4 BAR CANTED Torque Output (Nm)					
		BTO	RTO	ETO	BTC	RTC	ETC
DAHG-085C-235A-D1	9.000	3.122	1.219	1.729	1.649	1.201	3.391
DAHG-085C-280A-D1	9.000	4.432	1.730	2.455	2.353	1.714	4.839
DAHG-085C-335A-D1	9.000	6.345	2.477	3.514	3.371	2.456	6.931
DAHG-085C-385A-D1	9.000						
DAHG-085C-435A-D1	9.000						
DAHG-100C-335A-D1	18.000	7.561	2.990	4.188	4.017	3.001	8.259
DAHG-100C-385A-D1	18.000	10.012	3.959	5.545	5.334	3.985	10.967
DAHG-100C-435A-D1	18.000	12.813	5.068	7.097	6.839	5.110	14.062
DAHG-100C-485A-D1	18.000	15.928	6.299	8.822	8.512	6.360	17.503
DAHG-100C-535A-D1	18.000						
DAHG-130C-385A-D1	32.000	13.145	5.132	7.281	6.985	5.089	14.361
DAHG-130C-435A-D1	32.000	16.823	6.569	9.319	8.941	6.513	18.383
DAHG-130C-485A-D1	32.000	20.913	8.166	11.584	11.139	8.114	22.900
DAHG-130C-535A-D1	32.000	25.512	9.962	14.132	13.610	9.914	27.980
DAHG-130C-585A-D1	32.000						
DAHG-130C-635A-D1	32.000						

Numéro de modèle	Couple max. Nm	4 BAR SYMMETRICAL Torque Output (Nm)					
		BTO	RTO	ETO	BTC	RTC	ETC
DAHG-085S-235A-D1	9.000	1.988	1.234	2.173	1.955	1.216	2.137
DAHG-085S-280A-D1	9.000	2.823	1.752	3.085	2.790	1.735	3.049
DAHG-085S-335A-D1	9.000	4.041	2.508	4.417	3.996	2.485	4.368
DAHG-085S-385A-D1	9.000	5.350	3.321	5.848	5.305	3.300	5.799
DAHG-085S-435A-D1	9.000	6.848	4.251	7.485	6.803	4.231	7.436
DAHG-100S-335A-D1	18.000	4.808	2.985	5.256	4.739	2.947	5.180
DAHG-100S-385A-D1	18.000	6.367	3.952	6.960	6.297	3.917	6.883
DAHG-100S-435A-D1	18.000	8.149	5.058	8.907	8.061	5.013	8.811
DAHG-100S-485A-D1	18.000	10.130	6.288	11.073	10.042	6.246	10.976
DAHG-100S-535A-D1	18.000	12.229	7.643	13.488	12.143	7.589	13.392
DAHG-100S-585A-D1	18.000	14.622	9.139	16.127	14.535	9.085	16.031
DAHG-130S-385A-D1	32.000	8.371	5.196	9.150	8.280	5.150	9.050
DAHG-130S-435A-D1	32.000	10.714	6.651	11.711	10.598	6.592	11.584
DAHG-130S-485A-D1	32.000	13.319	8.268	14.558	13.203	8.212	14.431
DAHG-130S-535A-D1	32.000	16.248	10.086	17.760	16.132	10.033	17.633
DAHG-130S-585A-D1	32.000	19.476	12.089	21.288	19.360	12.041	21.161
DAHG-130S-635A-D1	32.000	23.005	14.280	25.146	22.889	14.236	25.019

Numéro de modèle	Couple max. Nm	4,5 BAR CANTED Torque Output (Nm)					
		BTO	RTO	ETO	BTC	RTC	ETC
DAHG-085C-235A-D1	9.000	3.553	1.394	1.949	1.857	1.363	3.826
DAHG-085C-280A-D1	9.000	5.044	1.978	2.766	2.653	1.947	5.468
DAHG-085C-335A-D1	9.000	7.220	2.832	3.960	3.816	2.801	7.865
DAHG-085C-385A-D1	9.000						
DAHG-085C-435A-D1	9.000						
DAHG-100C-335A-D1	18.000	8.493	3.332	4.659	4.490	3.295	9.253
DAHG-100C-385A-D1	18.000	11.218	4.400	6.153	5.946	4.364	12.254
DAHG-100C-435A-D1	18.000	14.321	5.618	7.855	7.572	5.557	15.605
DAHG-100C-485A-D1	18.000						
DAHG-100C-535A-D1	18.000						
DAHG-130C-385A-D1	32.000	14.833	5.792	8.216	7.883	5.742	16.206
DAHG-130C-435A-D1	32.000	18.974	7.409	10.510	10.085	7.347	20.733
DAHG-130C-485A-D1	32.000	23.586	9.210	13.065	12.563	9.152	25.829
DAHG-130C-535A-D1	32.000	28.701	11.207	15.899	15.311	11.153	31.478
DAHG-130C-585A-D1	32.000						
DAHG-130C-635A-D1	32.000						

Numéro de modèle	Couple max. Nm	4,5 BAR SYMMETRICAL Torque Output (Nm)					
		BTO	RTO	ETO	BTC	RTC	ETC
DAHG-085S-235A-D1	9.000	2.256	1.410	2.489	2.206	1.379	2.433
DAHG-085S-280A-D1	9.000	3.203	2.002	3.533	3.153	1.971	3.478
DAHG-085S-335A-D1	9.000	4.585	2.866	5.057	4.535	2.834	5.002
DAHG-085S-385A-D1	9.000	6.056	3.785	6.679	6.006	3.754	6.624
DAHG-085S-435A-D1	9.000	7.731	4.832	8.527	7.681	4.801	8.472
DAHG-100S-335A-D1	18.000	5.394	3.371	5.949	5.335	3.335	5.885
DAHG-100S-385A-D1	18.000	7.125	4.453	7.858	7.066	4.416	7.793
DAHG-100S-435A-D1	18.000	9.095	5.685	10.032	8.998	5.624	9.924
DAHG-100S-485A-D1	18.000	11.306	7.067	12.470	11.209	7.006	12.363
DAHG-100S-535A-D1	18.000	13.758	8.599	15.174	13.660	8.538	15.067
DAHG-100S-585A-D1	18.000						
DAHG-130S-385A-D1	32.000	9.446	5.864	10.326	9.344	5.811	10.213
DAHG-130S-435A-D1	32.000	12.084	7.501	13.208	11.954	7.435	13.066
DAHG-130S-485A-D1	32.000	15.022	9.325	16.420	14.891	9.262	16.277
DAHG-130S-535A-D1	32.000	18.316	11.370	20.021	18.185	11.310	19.877
DAHG-130S-585A-D1	32.000	21.944	13.622	23.986	21.813	13.567	23.843
DAHG-130S-635A-D1	32.000	25.907	16.081	28.318	25.776	16.032	28.175

Numéro de modèle	Couple max. Nm	5 BAR CANTED					
		Torque Output (Nm)					
		BTO	RTO	ETO	BTC	RTC	ETC
DAHG-085C-235A-D1	9.000	3.916	1.529	2.169	2.069	1.507	4.255
DAHG-085C-280A-D1	9.000	5.560	2.171	3.080	2.953	2.151	6.070
DAHG-085C-335A-D1	9.000	7.959	3.108	4.409	4.229	3.081	8.695
DAHG-085C-385A-D1	9.000						
DAHG-085C-435A-D1	9.000						
DAHG-100C-335A-D1	18.000	9.471	3.698	5.246	5.015	3.653	10.311
DAHG-100C-385A-D1	18.000	12.535	4.894	6.943	6.662	4.853	13.696
DAHG-100C-435A-D1	18.000	15.994	6.245	8.860	8.501	6.193	17.476
DAHG-100C-485A-D1	18.000						
DAHG-100C-535A-D1	18.000						
DAHG-130C-385A-D1	32.000	16.481	6.435	9.129	8.759	6.380	18.007
DAHG-130C-435A-D1	32.000	21.082	8.232	11.678	11.205	8.163	23.037
DAHG-130C-485A-D1	32.000	26.207	10.233	14.517	13.959	10.169	28.699
DAHG-130C-535A-D1	32.000						
DAHG-130C-585A-D1	32.000						
DAHG-130C-635A-D1	32.000						

Numéro de modèle	Couple max. Nm	5 BAR SYMMETRICAL					
		Torque Output (Nm)					
		BTO	RTO	ETO	BTC	RTC	ETC
DAHG-085S-235A-D1	9.000	2.494	1.548	2.726	2.453	1.525	2.681
DAHG-085S-280A-D1	9.000	3.541	2.198	3.870	3.500	2.177	3.825
DAHG-085S-335A-D1	9.000	5.069	3.146	5.541	5.013	3.118	5.479
DAHG-085S-385A-D1	9.000	6.708	4.164	7.333	6.652	4.137	7.271
DAHG-085S-435A-D1	9.000						
DAHG-100S-335A-D1	18.000	6.032	3.744	6.593	5.945	3.697	6.498
DAHG-100S-385A-D1	18.000	7.983	4.955	8.726	7.896	4.911	8.631
DAHG-100S-435A-D1	18.000	10.212	6.339	11.163	10.102	6.283	11.042
DAHG-100S-485A-D1	18.000	12.695	7.880	13.876	12.584	7.827	13.756
DAHG-100S-535A-D1	18.000	15.286	9.554	16.860	15.178	9.486	16.741
DAHG-100S-585A-D1	18.000						
DAHG-130S-385A-D1	32.000	10.496	6.515	11.473	10.382	6.457	11.348
DAHG-130S-435A-D1	32.000	13.427	8.334	14.676	13.282	8.261	14.518
DAHG-130S-485A-D1	32.000	16.691	10.361	18.244	16.546	10.291	18.086
DAHG-130S-535A-D1	32.000	20.351	12.633	22.245	20.206	12.567	22.086
DAHG-130S-585A-D1	32.000	24.382	15.135	26.651	24.237	15.074	26.492
DAHG-130S-635A-D1	32.000	28.785	17.868	31.464	28.640	17.813	31.306

Numéro de modèle	Couple max. Nm	5,5 BAR CANTED					
		Torque Output (Nm)					
		BTO	RTO	ETO	BTC	RTC	ETC
DAHG-085C-235A-D1	9.000	4.342	1.703	2.382	2.269	1.665	4.677
DAHG-085C-280A-D1	9.000	6.164	2.418	3.381	3.243	2.380	6.684
DAHG-085C-335A-D1	9.000						
DAHG-085C-385A-D1	9.000						
DAHG-085C-435A-D1	9.000						
DAHG-100C-335A-D1	18.000	10.381	4.072	5.694	5.487	4.028	11.309
DAHG-100C-385A-D1	18.000	13.711	5.378	7.521	7.267	5.334	14.977
DAHG-100C-435A-D1	18.000						
DAHG-100C-485A-D1	18.000						
DAHG-100C-535A-D1	18.000						
DAHG-130C-385A-D1	32.000	18.149	7.087	10.053	9.645	7.026	19.830
DAHG-130C-435A-D1	32.000	23.212	9.063	12.858	12.337	8.987	25.364
DAHG-130C-485A-D1	32.000	28.855	11.267	15.984	15.370	11.196	31.598
DAHG-130C-535A-D1	32.000						
DAHG-130C-585A-D1	32.000						
DAHG-130C-635A-D1	32.000						

Numéro de modèle	Couple max. Nm	5,5 BAR SYMMETRICAL Torque Output (Nm)					
		BTO	RTO	ETO	BTC	RTC	ETC
DAHG-085S-235A-D1	9.000	2.747	1.705	3.003	2.702	1.680	2.953
DAHG-085S-280A-D1	9.000	3.900	2.421	4.263	3.855	2.397	4.213
DAHG-085S-335A-D1	9.000	5.583	3.465	6.102	5.521	3.434	6.035
DAHG-085S-385A-D1	9.000	7.388	4.586	8.075	7.326	4.556	8.008
DAHG-085S-435A-D1	9.000						
DAHG-100S-335A-D1	18.000	6.644	4.124	7.262	6.548	4.072	7.157
DAHG-100S-385A-D1	18.000	8.791	5.457	9.609	8.695	5.408	9.505
DAHG-100S-435A-D1	18.000	11.244	6.979	12.290	11.122	6.918	12.157
DAHG-100S-485A-D1	18.000						
DAHG-100S-535A-D1	18.000						
DAHG-100S-585A-D1	18.000						
DAHG-130S-385A-D1	32.000	11.559	7.175	12.634	11.432	7.111	12.496
DAHG-130S-435A-D1	32.000	14.783	9.176	16.159	14.623	9.095	15.984
DAHG-130S-485A-D1	32.000	18.377	11.407	20.087	18.217	11.330	19.913
DAHG-130S-535A-D1	32.000	22.402	13.906	24.487	22.243	13.834	24.313
DAHG-130S-585A-D1	32.000	26.835	16.657	29.332	26.675	16.591	29.157
DAHG-130S-635A-D1	32.000						

Numéro de modèle	Couple max. Nm	6 BAR CANTED Torque Output (Nm)					
		BTO	RTO	ETO	BTC	RTC	ETC
DAHG-085C-235A-D1	9.000	4.711	1.839	2.609	2.489	1.813	5.118
DAHG-085C-280A-D1	9.000	6.688	2.611	3.704	3.552	2.587	7.302
DAHG-085C-335A-D1	9.000						
DAHG-085C-385A-D1	9.000						
DAHG-085C-435A-D1	9.000						
DAHG-100C-335A-D1	18.000	11.393	4.448	6.311	6.033	4.395	12.403
DAHG-100C-385A-D1	18.000	15.042	5.873	8.332	7.994	5.824	16.435
DAHG-100C-435A-D1	18.000						
DAHG-100C-485A-D1	18.000						
DAHG-100C-535A-D1	18.000						
DAHG-130C-385A-D1	32.000	19.817	7.738	10.977	10.532	7.672	21.653
DAHG-130C-435A-D1	32.000	25.341	9.895	14.038	13.470	9.812	27.692
DAHG-130C-485A-D1	32.000						
DAHG-130C-535A-D1	32.000						
DAHG-130C-585A-D1	32.000						
DAHG-130C-635A-D1	32.000						

Numéro de modèle	Couple max. Nm	6 BAR SYMMETRICAL Torque Output (Nm)					
		BTO	RTO	ETO	BTC	RTC	ETC
DAHG-085S-235A-D1	9.000	3.000	1.862	3.279	2.951	1.835	3.225
DAHG-085S-280A-D1	9.000	4.259	2.644	4.656	4.210	2.618	4.602
DAHG-085S-335A-D1	9.000	6.097	3.785	6.664	6.030	3.750	6.591
DAHG-085S-385A-D1	9.000						
DAHG-085S-435A-D1	9.000						
DAHG-100S-335A-D1	18.000	7.256	4.504	7.931	7.151	4.447	7.816
DAHG-100S-385A-D1	18.000	9.599	5.959	10.493	9.495	5.905	10.378
DAHG-100S-435A-D1	18.000	12.275	7.620	13.418	12.143	7.552	13.273
DAHG-100S-485A-D1	18.000						
DAHG-100S-535A-D1	18.000						
DAHG-100S-585A-D1	18.000						
DAHG-130S-385A-D1	32.000	12.621	7.834	13.796	12.483	7.764	13.645
DAHG-130S-435A-D1	32.000	16.139	10.018	17.641	15.965	9.930	17.451
DAHG-130S-485A-D1	32.000	20.063	12.454	21.930	19.889	12.370	21.740
DAHG-130S-535A-D1	32.000	24.454	15.180	26.730	24.280	15.101	26.539
DAHG-130S-585A-D1	32.000	29.288	18.180	32.013	29.113	18.108	31.823
DAHG-130S-635A-D1	32.000						

Numéro de modèle	Couple max. Nm	7 BAR CANTED Torque Output (Nm)					
		BTO	RTO	ETO	BTC	RTC	ETC
DAHG-085C-235A-D1	9.000	5.505	2.149	3.049	2.909	2.119	5.981
DAHG-085C-280A-D1	9.000	7.816	3.052	4.329	4.151	3.024	8.534
DAHG-085C-335A-D1	9.000						
DAHG-085C-385A-D1	9.000						
DAHG-085C-435A-D1	9.000						
DAHG-100C-335A-D1	18.000	13.333	5.273	7.384	7.084	5.293	14.566
DAHG-100C-385A-D1	18.000						
DAHG-100C-435A-D1	18.000						
DAHG-100C-485A-D1	18.000						
DAHG-100C-535A-D1	18.000						
DAHG-130C-385A-D1	32.000	23.154	9.041	12.826	12.305	8.964	25.298
DAHG-130C-435A-D1	32.000	29.601	11.558	16.397	15.734	11.461	32.346
DAHG-130C-485A-D1	32.000						
DAHG-130C-535A-D1	32.000						
DAHG-130C-585A-D1	32.000						
DAHG-130C-635A-D1	32.000						

Numéro de modèle	Couple max. Nm	7 BAR SYMMETRICAL Torque Output (Nm)					
		BTO	RTO	ETO	BTC	RTC	ETC
DAHG-085S-235A-D1	9.000	3.506	2.176	3.832	3.448	2.145	3.769
DAHG-085S-280A-D1	9.000	4.978	3.090	5.441	4.920	3.060	5.378
DAHG-085S-335A-D1	9.000	7.125	4.423	7.788	7.047	4.383	7.703
DAHG-085S-385A-D1	9.000						
DAHG-085S-435A-D1	9.000						
DAHG-100S-335A-D1	18.000	8.479	5.263	9.268	8.357	5.198	9.135
DAHG-100S-385A-D1	18.000	11.215	6.962	12.259	11.093	6.900	12.126
DAHG-100S-435A-D1	18.000	14.148	8.843	15.605	13.997	8.748	15.438
DAHG-100S-485A-D1	18.000						
DAHG-100S-535A-D1	18.000						
DAHG-100S-585A-D1	18.000						
DAHG-130S-385A-D1	32.000	14.746	9.153	16.118	14.585	9.072	15.943
DAHG-130S-435A-D1	32.000	18.852	11.702	20.606	18.649	11.599	20.384
DAHG-130S-485A-D1	32.000	23.435	14.547	25.616	23.232	14.449	25.394
DAHG-130S-535A-D1	32.000	28.557	17.727	31.215	28.354	17.635	30.993
DAHG-130S-585A-D1	32.000						
DAHG-130S-635A-D1	32.000						

Numéro de modèle	Couple max. Nm	8,5 BAR CANTED Torque Output (Nm)					
		BTO	RTO	ETO	BTC	RTC	ETC
DAHG-085C-235A-D1	9.000	6.697	2.615	3.710	3.539	2.578	7.276
DAHG-085C-280A-D1	9.000						
DAHG-085C-335A-D1	9.000						
DAHG-085C-385A-D1	9.000						
DAHG-085C-435A-D1	9.000						
DAHG-100C-335A-D1	18.000	16.190	6.403	8.966	8.602	6.427	17.687
DAHG-100C-385A-D1	18.000						
DAHG-100C-435A-D1	18.000						
DAHG-100C-485A-D1	18.000						
DAHG-100C-535A-D1	18.000						
DAHG-130C-385A-D1	32.000	28.158	10.995	15.598	14.965	10.902	30.767
DAHG-130C-435A-D1	32.000						
DAHG-130C-485A-D1	32.000						
DAHG-130C-535A-D1	32.000						
DAHG-130C-585A-D1	32.000						
DAHG-130C-635A-D1	32.000						

Numéro de modèle	Couple max. Nm	8,5 BAR SYMMETRICAL Torque Output (Nm)					
		BTO	RTO	ETO	BTC	RTC	ETC
DAHG-085S-235A-D1	9.000	4.265	2.647	4.662	4.195	2.609	4.585
DAHG-085S-280A-D1	9.000	6.055	3.758	6.619	5.985	3.722	6.542
DAHG-085S-335A-D1	9.000						
DAHG-085S-385A-D1	9.000						
DAHG-085S-435A-D1	9.000						
DAHG-100S-335A-D1	18.000	10.315	6.403	11.274	10.166	6.323	11.112
DAHG-100S-385A-D1	18.000	13.458	8.411	14.843	13.346	8.342	14.720
DAHG-100S-435A-D1	18.000						
DAHG-100S-485A-D1	18.000						
DAHG-100S-535A-D1	18.000						
DAHG-100S-585A-D1	18.000						
DAHG-130S-385A-D1	32.000	17.933	11.132	19.602	17.738	11.033	19.389
DAHG-130S-435A-D1	32.000	22.921	14.228	25.054	22.674	14.103	24.784
DAHG-130S-485A-D1	32.000	28.493	17.687	31.145	28.246	17.568	30.875
DAHG-130S-535A-D1	32.000						
DAHG-130S-585A-D1	32.000						
DAHG-130S-635A-D1	32.000						

spécifications

CYCLE DE PEINTURE OMAL

La peinture des actionneurs Heavy Duty (Standard OMAL), indiquée dans le tableau, permet leur installation à l'extérieur: sites de produits chimiques, gazoducs, raffineries et applications off-shore. Peintures disponibles sur demande selon les spécifications du client.

PRÉPARATION DE LA SURFACE		SABLAGE DEGRÉ SA 2.1/2
Revêtement	Type de peinture	ÉPAISSEUR
Première couche	Galvanisant inorganique	75 µ
Couche intermédiaire	Epoxy	110 µ
Dernière couche	Polyuréthane	40 µ
ÉPAISSEUR TOTALE		225 µ
Peinture standard: RAL 5010		

CORPS CENTRAL - CONFIGURATIONS DISPONIBLES

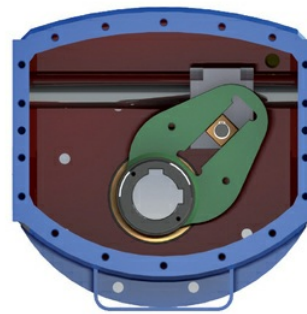
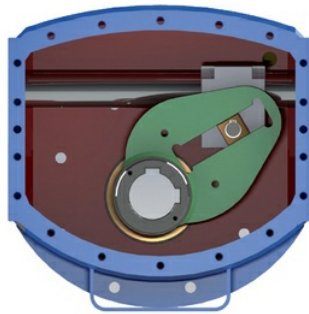
Conception dissymétrique (canted)

Couple de démarrage d'ouverture (BTO) très élevé, avec une forte baisse de la valeur du couple délivré dans la phase finale (ETO) de la manœuvre d'ouverture. Couple de démarrage de fermeture (BTC) nettement inférieur au couple d'ouverture (BTO).

Conception symétrique

Courbe de couple plus équilibrée, les valeurs de BTO-ETO BTC-ETC sont similaires.

DESIGN ASIMMETRICO
CANTED DESIGN



DESIGN SIMMETRICO
SYMMETRICAL DESIGN

accessoires

Pompe
Vérin hydraulique
Réservoir d'huile
Clapet anti-retour
Vanne de sécurité

COMMANDE HYDRAULIQUE MANUELLE D'URGENCE



Per attuatore doppio effetto
For double acting actuator

COMMANDE MANUELLE D'URGENCE DÉBRAYABLE POUR ACTIONNEUR À DOUBLE EFFET (uniquement pour les versions avec corps 085)

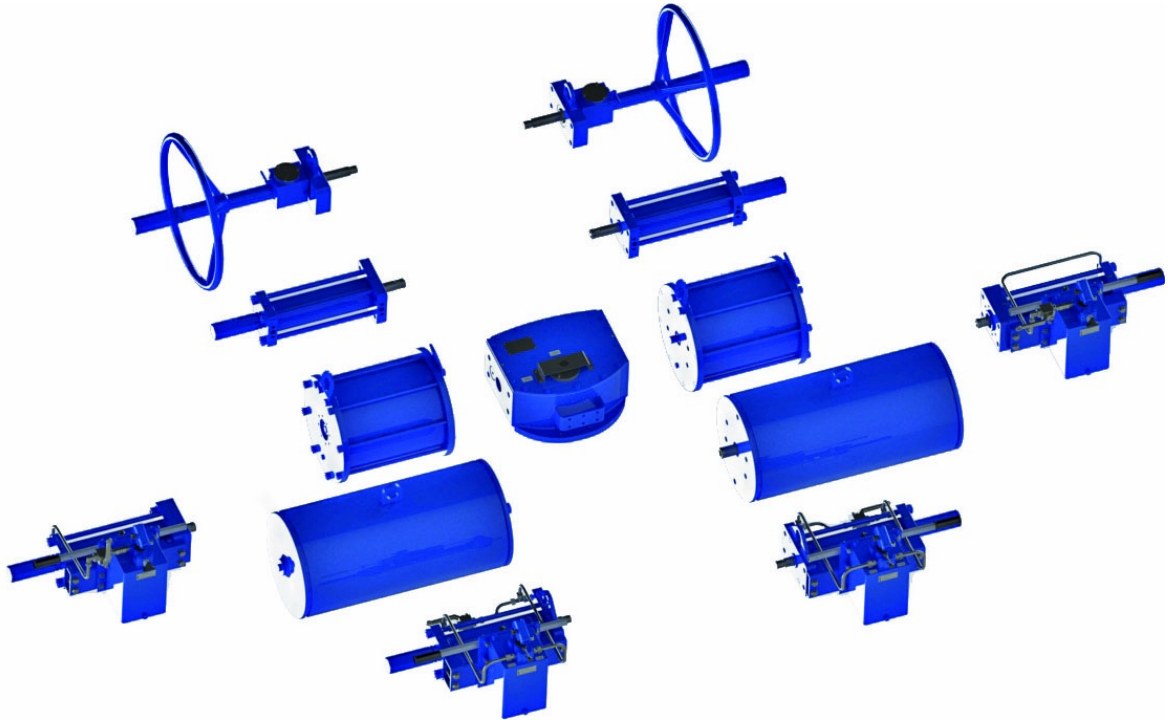


Connecteur - Manchon



L'actionneur a été conçu de manière à prévoir des raccords conformes aux normes internationales les plus récentes pour permettre et faciliter son montage sur les vannes et les accessoires. Omal complète son offre avec des kits de montage, des connecteurs et des manchons sur demande.

Construction modulaire



La conception modulaire des actionneurs HEAVY DUTY Omal garantit des utilisations complètement polyvalentes.
La construction modulaire permet d'assembler les composants en fonction des exigences d'utilisation.

documents

Certificati

Type Approval Certificate for Marine and machinery systems and equipment

SIL IEC 61508 - Heavy Duty SRHG-DAHG

ATEX - Heavy Duty

Istruzioni

ISTRUZIONI ATEX 8_0483-02