

Warning: filectime(): stat failed for /var/www/vhost/www.omal.it/htdocs/https://www.omal.it./FilesProdotti/TA-LUFT.pdf in /var/www/vhost/www.omal.it/htdocs/prodotto-printable.php on line 65

Warning: filectime(): stat failed for /var/www/vhost/www.omal.it/htdocs/https://www.omal.it./FilesProdotti/RICEVUTADEPOSITOF.T.ATEXN.VS-19.pdf in /var/www/vhost/www.omal.it/htdocs/prodotto-printable.php on line 65

Warning: filectime(): stat failed for /var/www/vhost/www.omal.it/htdocs/https://www.omal.it./FilesProdotti/Certificate-202053402-OMAL-ValvoleMagnum-Thor-new.pdf in /var/www/vhost/www.omal.it/htdocs/prodotto-printable.php on line 65

Warning: filectime(): stat failed for /var/www/vhost/www.omal.it/htdocs/https://www.omal.it./FilesProdotti/FG-063579-645FUGITIVEEMISSIONDN25CL.300TI-T2-T3-M1-M4-M5-M6.pdf in /var/www/vhost/www.omal.it/htdocs/prodotto-printable.php on line 65

Warning: filectime(): stat failed for /var/www/vhost/www.omal.it/htdocs/https://www.omal.it./FilesProdotti/FG-063579-646FUGITIVEEMISSIONDN100CL.300THORTI-T2-T3-M1-M4-M5-M6.pdf in /var/www/vhost/www.omal.it/htdocs/prodotto-printable.php on line 65

Warning: filectime(): stat failed for /var/www/vhost/www.omal.it/htdocs/https://www.omal.it./FilesProdotti/Certificato-PED-DNV.pdf in /var/www/vhost/www.omal.it/htdocs/prodotto-printable.php on line 65

Warning: filectime(): stat failed for /var/www/vhost/www.omal.it/htdocs/https://www.omal.it./FilesProdotti/80486-ValvoleasferaATEX-IT-EN.pdf in /var/www/vhost/www.omal.it/htdocs/prodotto-printable.php on line 65

Warning: filectime(): stat failed for /var/www/vhost/www.omal.it/htdocs/https://www.omal.it./FilesProdotti/UMAH1000-IT-01-21.pdf in /var/www/vhost/www.omal.it/htdocs/prodotto-printable.php on line 65

Warning: filectime(): stat failed for /var/www/vhost/www.omal.it/htdocs/https://www.omal.it./PdfProdotti/020/Certificati/FIRE SAFE DN 100-200/Thor Split Body - PN 16-40 ANSI 150-300 in acciaio al carbonio - FIRE SAFE DN100-200.pdf in /var/www/vhost/www.omal.it/htdocs/prodotto-printable.php on line 65

Warning: filectime(): stat failed for /var/www/vhost/www.omal.it/htdocs/https://www.omal.it./PdfProdotti/020/Certificati/FIRE SAFE DN 15-100/Thor Split Body - PN 16-40 ANSI 150-300 in acciaio al carbonio - FIRE SAFE DN15-100.pdf in /var/www/vhost/www.omal.it/htdocs/prodotto-printable.php on line 65

Warning: filectime(): stat failed for /var/www/vhost/www.omal.it/htdocs/https://www.omal.it./FilesProdotti/80844-35-ValvoleasferaThorSplitBodyTIPN16-40-IT-EN-DE-ES-0522.pdf in /var/www/vhost/www.omal.it/htdocs/prodotto-printable.php on line 65

Warning: filectime(): stat failed for /var/www/vhost/www.omal.it/htdocs/https://www.omal.it./FilesProdotti/Certificate6D-1007.pdf in /var/www/vhost/www.omal.it/htdocs/prodotto-printable.php on line 65

THOR分体式碳钢球阀 ANSI 150-300 小口径

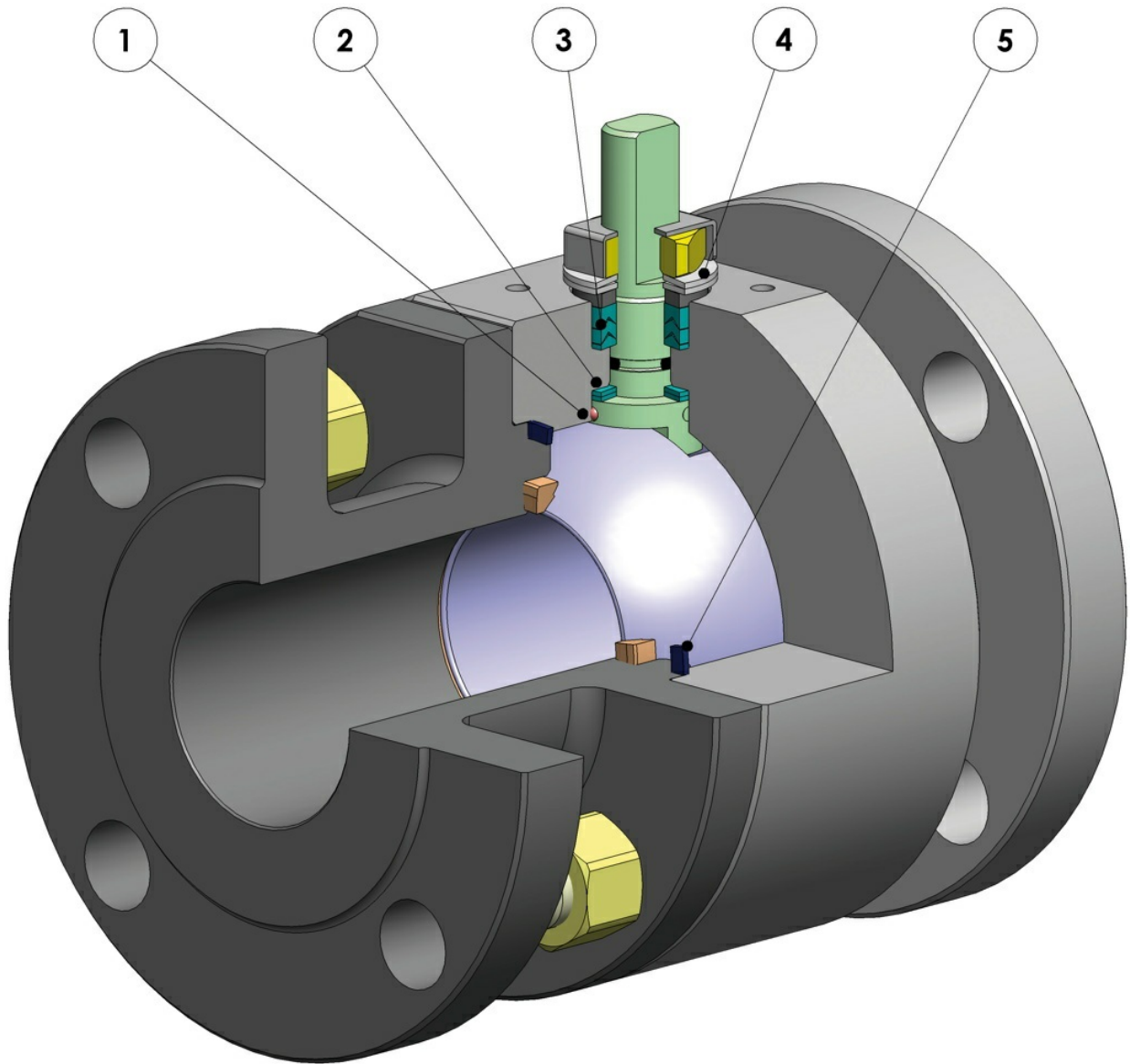


宏 球阀

小类 THOR

子类 THOR Split Body

家族 THOR Split Body ANSI 150-300 减少通过



此装置可以避免在易燃和/或易爆环境中静电荷的聚集
阀门在整个寿命周期中的接触安全均具有保障

2.双抗磨环

借助更低的扭矩即可操纵阀门；
相较于单环装置，双环的磨损在运行中更低

3.3组密封件组成的V形密封套件和+O形圈

在定量的循环过后，该装置仍可确保完美的密封性

4.阀杆密封件上的碟型弹簧

封堵因轴的半周旋转磨损而形成的间隙，避免内容物外泄；
确保雪佛龙密封套件(V形)保持紧致，避免在温差显著的环境中出现内容物外泄。

5.石墨弹性密封件

确保外端密封性不受阀门所在环境的温差影响

得益于粗加工至细加工的单一位置，实现更高的轴向对齐精度

更佳阀门寿命
更小的操纵扭矩

依照执行标准，采用NACE规范认证材料打造的碳钢阀体

更佳的耐腐蚀性保障
更强的材料韧性

在OMAL自有设施内完成全部生产流程

对加工各个阶段的最佳管控
按照客户的需求可快速供货

"Fire Safe"认证

阀门在火灾环境下的密封性保障

ATEX认证

可安装于潜在易爆的环境内

"TA LUFT排放泄漏"认证

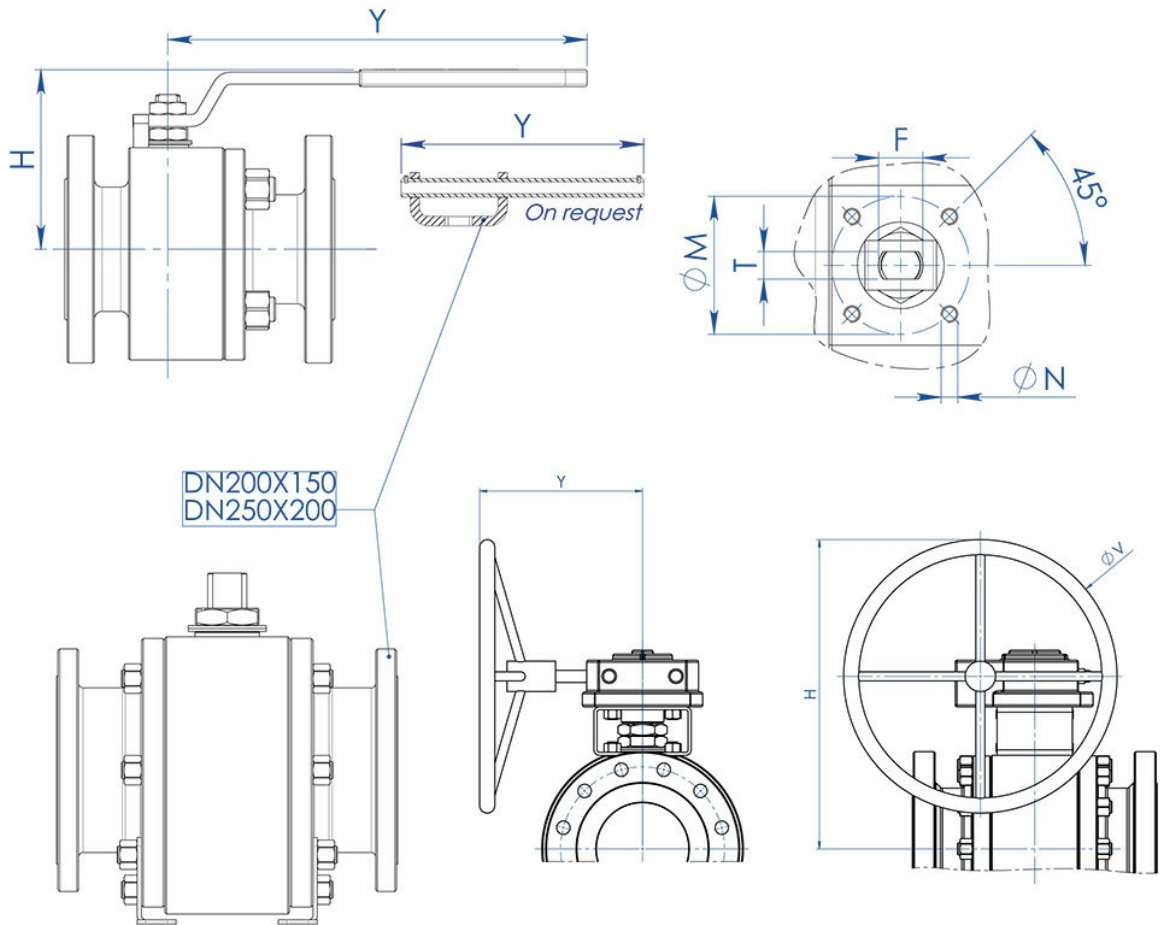
更高的阀杆外端密封性保障

PED认证

完全符合欧盟有关加压装置的安全条例

最高达SIL3等级的认证

更高的运行安全等级

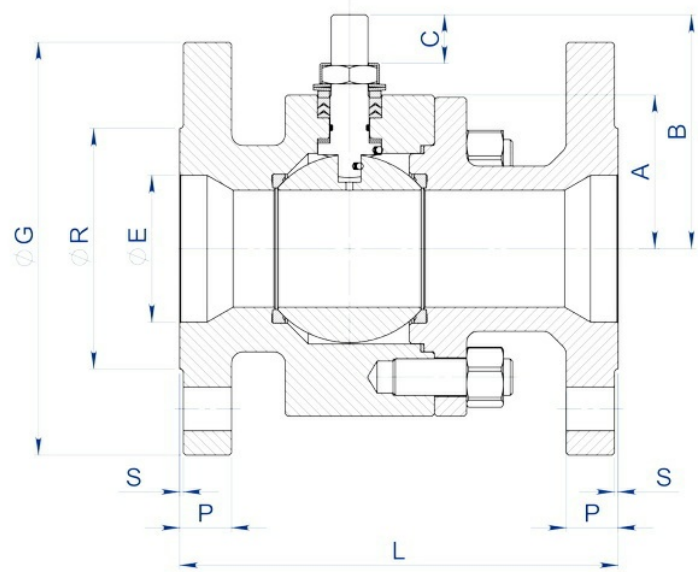
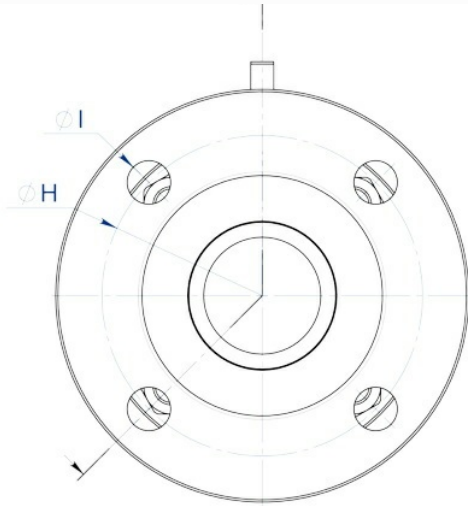


尺寸规格

尺寸		H	Y	øV	øM	øN	F/T	接头ISO	手柄套件
DN [mm]	[inch]								
DN 20x15	3/4" x 1/2"	71	140	---	36	M5	10/6	F03	KLV58004
DN 25x20	1" x 3/4"	73	140	---	36	M5	10/6	F03	KLV58004
DN 32x25	1" 1/4 x 1"	87	150	---	42	M5	12/8	F04	KLV58006
DN 40x32	1" 1/2 x 1" 1/4	91	150	---	42	M5	12/8	F04	KLV58006
DN 50x40	2" x 1" 1/2	108	275	---	50	M6	16/10	F05	KLV58008
DN 65x50	2" 1/2 x 2"	118	275	---	50	M6	16/10	F05	KLV58008
DN 80x65	3" x 2" 1/2	143	350	---	70	M8	22/14	F07	KLV58010
DN 100x80	4" x 3"	150	350	---	70	M8	22/14	F07	KLV58010
DN 125x100	5" x 4"	198	450	---	102	M10	30/18	F10	KLV58012
DN 150x100	6" x 4"	208	450	---	102	M10	30/18	F10	KLV58012
DN 200x150 ANSI 150 (*)	8" x 6"	522	326	400	140	M16	45/30	F14	---
DN 200x150 ANSI 300	8" x 6"	522	347,5	600	140	M16	45/30	F14	---
DN 250x200 ANSI 150 (*)	10" x 8"	516	347	500	140	M16	52/35	F14	---

适用公称直径DN200x150和DN250x200, 配备手动变速器的标准型号。

(*)可选装配备操纵手柄的型号。



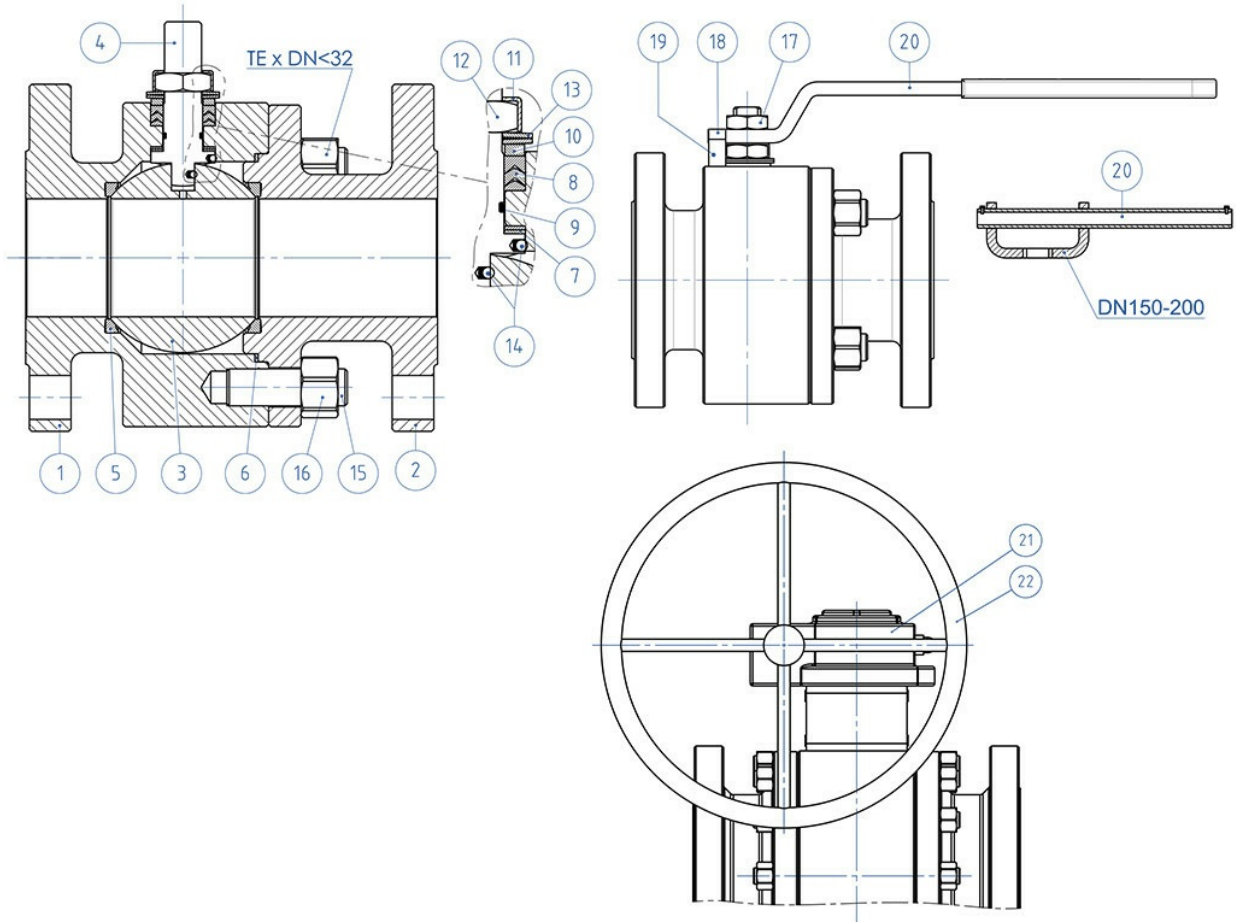
尺寸		ANSI	øE	A	B	C	øG	øR	S	P	øH	孔数	øI	Kg	L	手柄套件
DN [mm]	[inch]															
DN 20x15	3/4" x 1/2"	150	19	32	52	10	100	42,9	1,6	13	69,8	4	16	2,9	117 (3)	KGBV485040
DN 20x15	3/4" x 1/2"	300	19	32	52	10	118	42,9	1,6	16,6	82,6	4	19	4,1	152 (3)	KGBV485040
DN 25x20	1" x 3/4"	150	25	35	55	10	110	50,8	1,6	14,5	79,2	4	16	3,9	127 (3)	KGBV485050
DN 25x20	1" x 3/4"	300	25	35	55	10	125	50,8	1,6	18	88,9	4	19	5,2	165 (3)	KGBV485050
DN 32x25	1" 1/4 x 1"	150	32	42	68	15	118	63,5	1,6	16,1	88,9	4	16	5,1	140 (3)	KGBV485060
DN 32x25	1" 1/4 x 1"	300	32	42	68	15	135	63,5	1,6	19,5	98,6	4	19	7	178 (3)	KGBV485060
DN 40x32	1" 1/2 x 1" 1/4	150	38	47	73	15	128	73	1,6	18	98,6	4	16	7,7	165 (3)	KGBV485070
DN 40x32	1" 1/2 x 1" 1/4	300	38	47	73	15	155	73	1,6	21	114,3	4	22	10,8	190 (3)	KGBV485070
DN 50x40	2" x 1" 1/2	150	51	58	93	21	153	91,9	1,6	19,6	120,6	4	19	11,8	178 (4)	KGBV485080
DN 50x40	2" x 1" 1/2	300	51	58	93	21	165	91,9	1,6	22,6	127	8	19	14,1	216 (4)	KGBV485080
DN 65x50	2" 1/2 x 2"	150	64	67	102	21	180	104,6	1,6	22,6	139,7	4	19	18,3	191 (4)	KGBV485090
DN 65x50	2" 1/2 x 2"	300	64	67	102	21	190	104,6	1,6	26,1	149,4	8	22	21,5	241 (4)	KGBV485090
DN 80x65	3" x 2" 1/2	150	76	83	130,5	28,4	190	127	1,6	24	152,4	4	19	25,6	203 (4)	KGBV485100
DN 80x65	3" x 2" 1/2	300	76	83	130,5	28,4	210	127	1,6	29	168,1	8	22	33,6	282 (4)	KGBV485100
DN 100x80	4" x 3"	150	102	90	137,5	28,4	230	157,2	1,6	24,6	190,5	8	19	35,9	229 (4)	KGBV485110
DN 100x80	4" x 3"	300	102	96	137,5	28,4	255	157,2	1,6	32,6	200,2	8	22	50,5	305 (4)	KGBV485110
DN 125x100	5" x 4"	150	118	111	172	35	255	185,7	1,6	24,6	215,9	8	22	53	254 (3)	KGBV485120
DN 125x100	5" x 4"	300	118	111	172	35	280	185,7	1,6	36,6	215,9	8	22	78,9	381 (3)	KGBV485120
DN 150x100	6" x 4"	150	152	111	172	35	280	215,9	1,6	25,6	241,3	8	22	67,7	394 (4)	KGBV485120
DN 150x100	6" x 4"	300	152	111	172	35	320	215,9	1,6	37,6	269,7	12	22	91,4	403 (4)	KGBV485120
DN 200x150(*)	8" x 6"	150	203	154	227,5	40,5	345	269,7	1,6	29	298,4	8	22	151,5	457 (4)	KGBV485140
DN 200x150	8" x 6"	300	203	154	227,5	40,5	381	269,7	1,6	42,5	330,2	12	25,4	184	502	KGBV48514D
DN 250x200(*)	10" x 8"	150	254	188	274	44,8	407	323,8	1,6	31	362	12	25,4	246	533 (4)	KGBV485150

适用公称直径DN200x150和DN250x200，配备手动变速器的标准型号。

(*)可选装配备操纵手柄的型号。

(3) ANSI B16.10

(4) B16.10 / API6D



分体式 ANSI 150-300 碳钢

编号	介绍	A105 碳钢	A350 LF2 碳钢
1	阀体	ASTM A105	ASTM A350 LF2
2	法兰接口		
3	球体	ASTM A351 CF8 (*) (1.4308/Gx5CrNi19-10)	
4	阀杆	ASTM A182F6A / A479 Tp.410 (**)	
5*	阀座	Modified PTFE (2)	
6*	阀体-法兰接口密封垫	填料石墨	
7*	阀杆下密封件	Modified PTFE (.)	
8*	V形密封套件	Modified PTFE (.)	
9*	内杆O形圈	FKM (.)	
10	密封顶环	镀锌碳钢 (x) (1)	
11	螺母锁片	304 不锈钢	
12	内杆螺母	镀锌碳钢 (x)	
13	碟型弹簧	镀锌碳钢 (xx)	
14	防静电装置	316 不锈钢	
15	双头螺栓	ASTM A193-B7	A320-L7M
16	螺母	ASTM A194-Gr.2H	A194-Gr.7M
17	锁止螺母	镀锌碳钢 (x)	
18	止动螺栓	A2-70 (304 不锈钢)	
19	限位杆	镀锌碳钢 (x)	
20	手柄	镀锌碳钢 (x)	
21	变速器	铸铁 (涂漆)	
22	手轮	Carbon steel painted	

* 密封套件的组件

可选装型号：

(*)：A351 CF8M

(**)：A564 TP.630(17-4PH)

(x)：304不锈钢

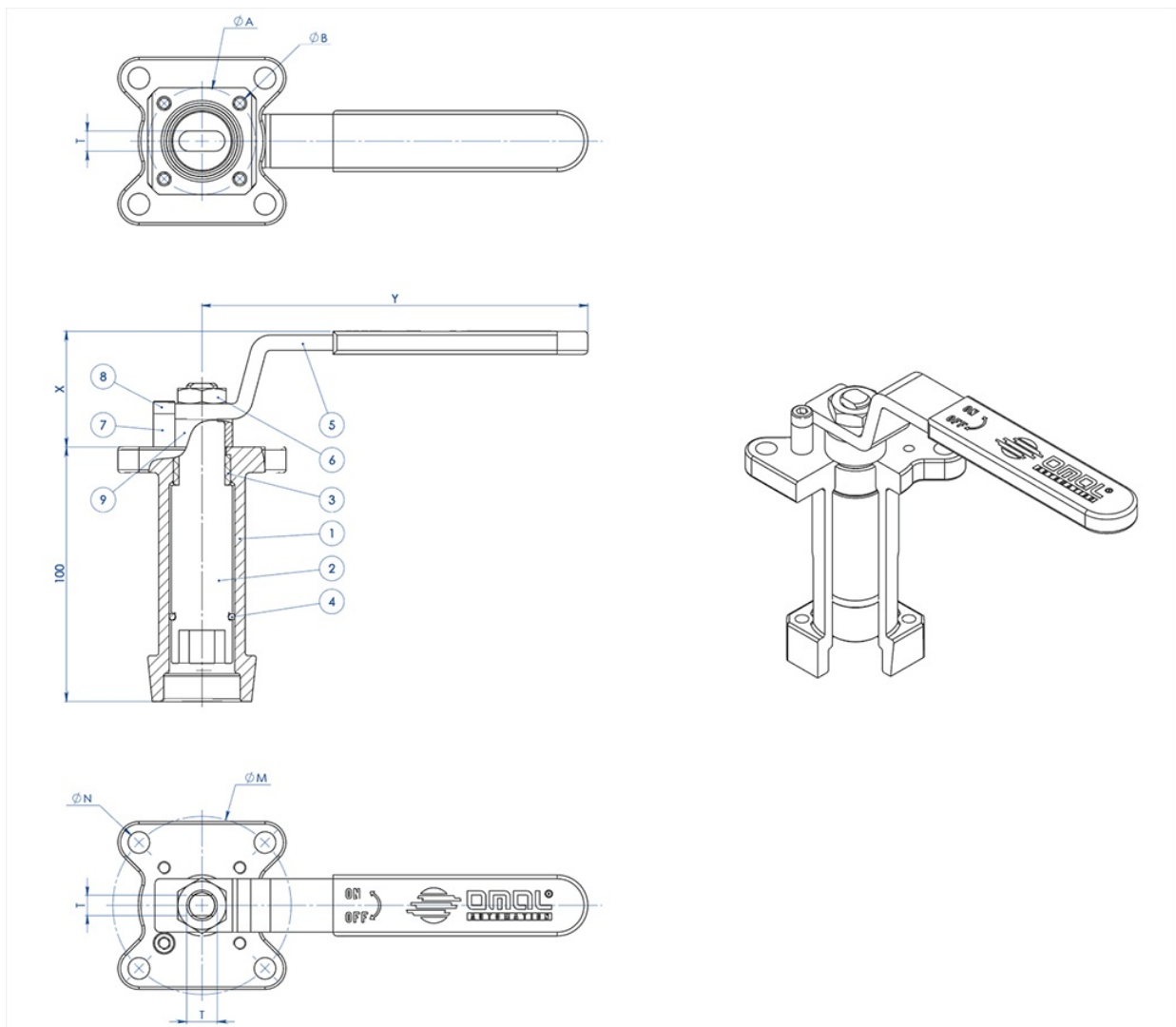
(xx)：301不锈钢

(1)：DN200x150&DN250x200仅提供304不锈钢材质产品

(2) 戴维龙用于：DN200x150 ANSI300

(.)：可根据要求提供其他材料

手柄专用外杆延长套



材质		
组件编号.	介绍	材质
1	延长套	AISI304不锈钢
2	传动轴	AISI 430 F
3	衬套	DELRIN
4	O形圈	NBR
5	手柄	Fe37 镀锌(*)
6	螺母	镀锌碳钢(*)
7	手柄止动杆	镀锌碳钢(*)
8	止动杆螺栓	A2-70
9	定距片	PTFE 碳填充

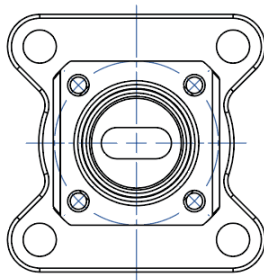
(*): 可选配304不锈钢

尺寸规格

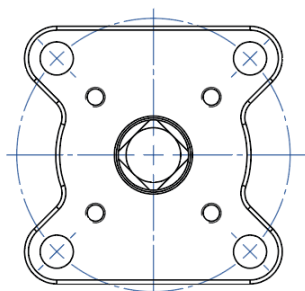
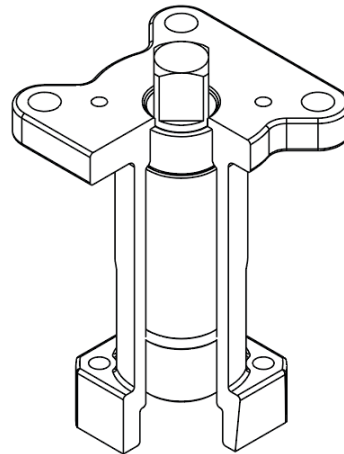
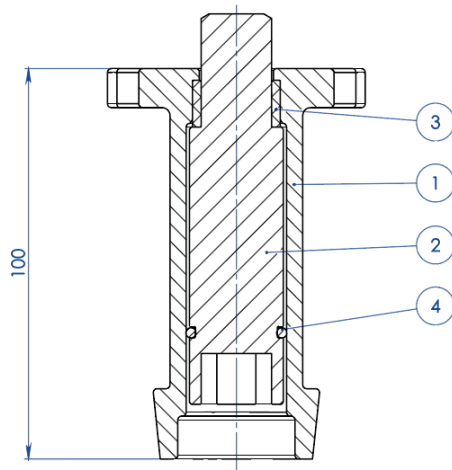
ISO标准阀门	ØA	ØB	ØM	ØN	F/T	X	Y
F03	36	5,5	36	5,5	10/6	38,5	141,5
F04	42	5,5	42	M5	12/8	45,5	151,5
F05	50	6,5	50	6,5	16/10	48,5	276,5
F07	70	8,5	70	8,5	22/14	57,5	351,5
F10	102	11	102	11	30/18	79,5	451,5

注意：延长套的代码取决于驱动类型和阀门接头；请在下订单时询问细节。

执行器专用外杆延长套



NOTA: Le dimensioni dipendono dalle dimensioni dell'attacco valvola
NOTE: Dimensions depending from valve's connection

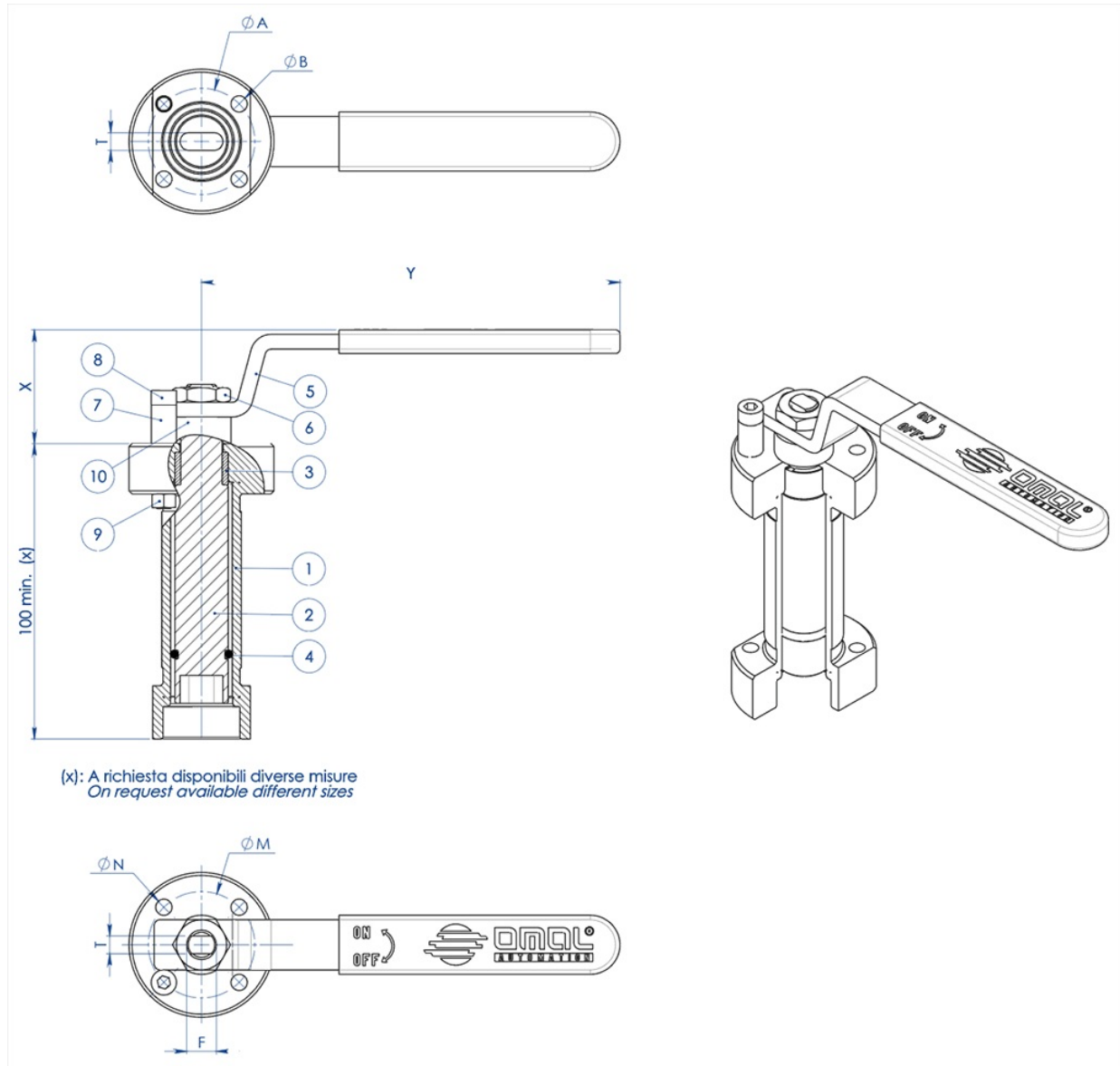


NOTA: Le dimensioni dipendono dalla taglia dell'attuatore
NOTE: Dimensions depending from actuator's size

组件编号.	介绍	材质
1	延长套	ASTM A351 CF8M
2	传动轴	AISI 430 F
3	衬套	DELTRIN
4	O形圈	丁腈橡胶

注意：延长套的代码取决于驱动类型和阀门接头；请在下订单时询问细节

手柄专用焊接外杆延长套



组件编号.	介绍	材质
1	延长套	304 s.s.
2	传动轴	AISI 430 F
3	衬套	DELRIN
4	O形圈	NBR
5	手柄	Fe 37 镀锌碳钢 (*)
6	螺母	镀锌碳钢(*)
7	手柄止动杆	镀锌碳钢(*)
8	止动杆螺栓	A2-70
9	止动杆螺母	A2-70 (**)
10	定距片	PTFE 碳填充

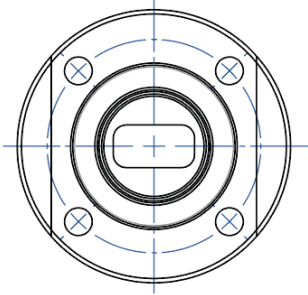
(*) : 可选配304不锈钢

(**): 未存在于ISO F04接头的阀门

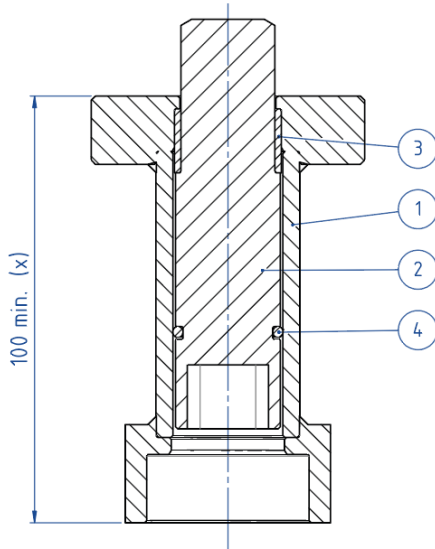
尺寸规格							
ISO标准阀门	ØA	ØB	ØM	ØN	F/T	X	Y
F03	36	5,5	36	5,5	10/6	38,5	141,5
F04	42	5,5	42	M5	12/8	45,5	151,5
F05	50	6,5	50	6,5	16/10	48,5	276,5
F07	70	9	70	9	22/14	57,5	351,5
F10	102	11	102	11	30/18	79,5	451,5

注意：延长套的代码取决于驱动类型和阀门接头；请在下订单时询问细节。

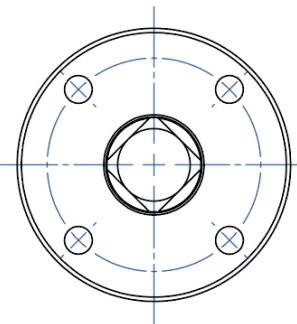
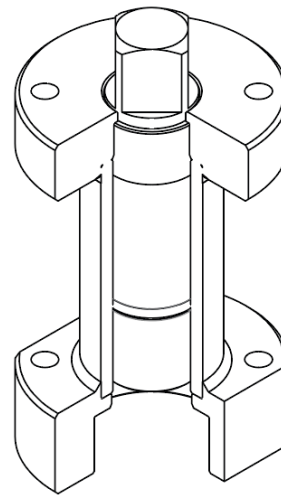
执行器专用外杆延长套



NOTA: Le dimensioni dipendono dalle dimensioni dell'attacco valvola
NOTE: Dimensions depending from valve's connection



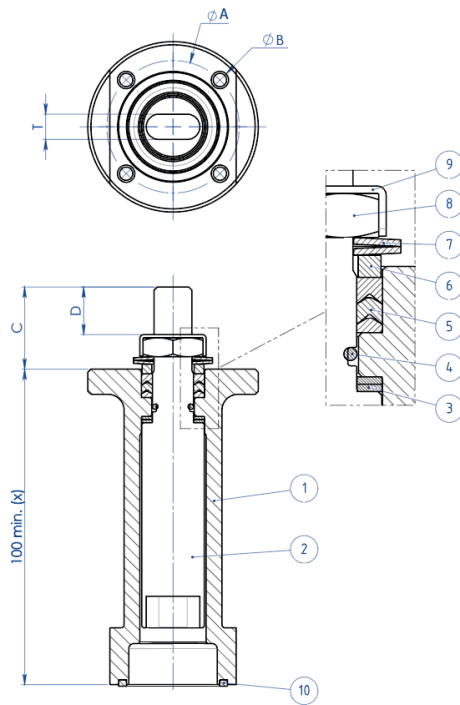
(x): A richiesta disponibili diverse misure
 On request available different sizes



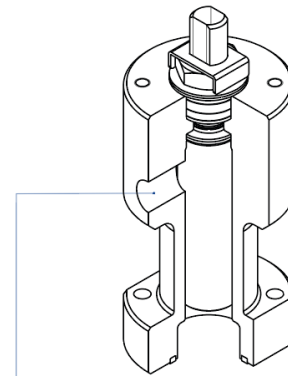
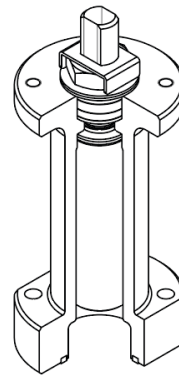
NOTA: Le dimensioni dipendono dalla taglia dell'attuatore
NOTE: Dimensions depending from actuator's size

材质		
组件编号.	介绍	材质
1	延长套	304 S.S.
2	传动轴	AISI 430 F
3	衬套	DELRIN
4	O形圈	NBR

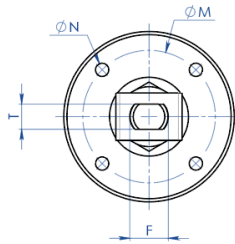
注：延长套的代码取决于驱动类型和阀门接头；请在下订单时询问细节



(X): A richiesta disponibili diverse misure
 On request available different sizes



A richiesta disponibile anche la versione con presa per Sniffer
 Stem extension with sniffer also available on request



材质		
组件编号	介绍	材质
1	延长套	304 s.s
2	传动轴	AA564 TP.630 (17-4ph)
3	抗磨环	TFM1600
4	O形圈	FKM
5	V形密封套件	TFM1600
6	密封顶环	304 s.s
7	碟型弹簧	50CrV4 镀锌
8	内杆螺母	UNI 3740-1 6S 镀锌
9	螺母锁片	304 s.s
10	密封件	天然石墨

尺寸规格

ISO标准阀门	ØA	ØB	ØM	ØN	F/T	C	D
F03	36	5,5	36	M5	10/6	20	10,2
F04	42	5,5	42	M5	12/8	26	15,1
F05	50	6,5	50	M6	16/10	35	21,2
F07	70	8,5	70	M8	22/14	47,5	28,4
F10	102	10,5	102	M10	30/18	61	35,2

注意：延长套的代码取决于驱动类型和阀门接头；请在下订单时询问细节。

Certificati

TA LUFT - MAGNUM & THOR

ATEX - Ball Valves

SIL IEC 61508 - MAGNUM & THOR

FUGITIVE EMISSION DN25 CL.300 T1-T2-T3-M1-M4-M5-M6

FUGITIVE EMISSION DN100 CL.300 T1-T2-T3-M1-M4-M5-M6

PED

FIRE SAFE - SPLIT BODY DN100-200 A105

FIRE SAFE - SPLIT BODY DN15-100 A105

API Licence number 6D-1007

Istruzioni

ISTRUZIONI ATEX 8_0486

ISTRUZIONI USO 8_0844-35

Manuali

MANUALE UMAH1000