

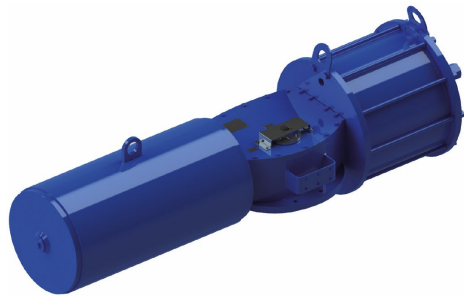
Warning: filectime(): stat failed for /var/www/vhost/www.omal.it/htdocs/https://www.omal.it./FilesProdotti/TAP00001G5-revision1.pdf in /var/www/vhost/www.omal.it/htdocs/prodotto-printable.php on line 65

Warning: filectime(): stat failed for /var/www/vhost/www.omal.it/htdocs/https://www.omal.it./FilesProdotti/Certificate-202053301-OMAL-AttuatoriSRHGDAHG.pdf in /var/www/vhost/www.omal.it/htdocs/prodotto-printable.php on line 65

Warning: filectime(): stat failed for /var/www/vhost/www.omal.it/htdocs/https://www.omal.it./FilesProdotti/80483-02HeavyDutyActuatorsATEXinstruction-IT-EN.pdf in /var/www/vhost/www.omal.it/htdocs/prodotto-printable.php on line 65

Warning: filectime(): stat failed for /var/www/vhost/www.omal.it/htdocs/https://www.omal.it./FilesProdotti/RICEVUTADEPOSITOF.T.ATEXN.HD-18.pdf in /var/www/vhost/www.omal.it/htdocs/prodotto-printable.php on line 65

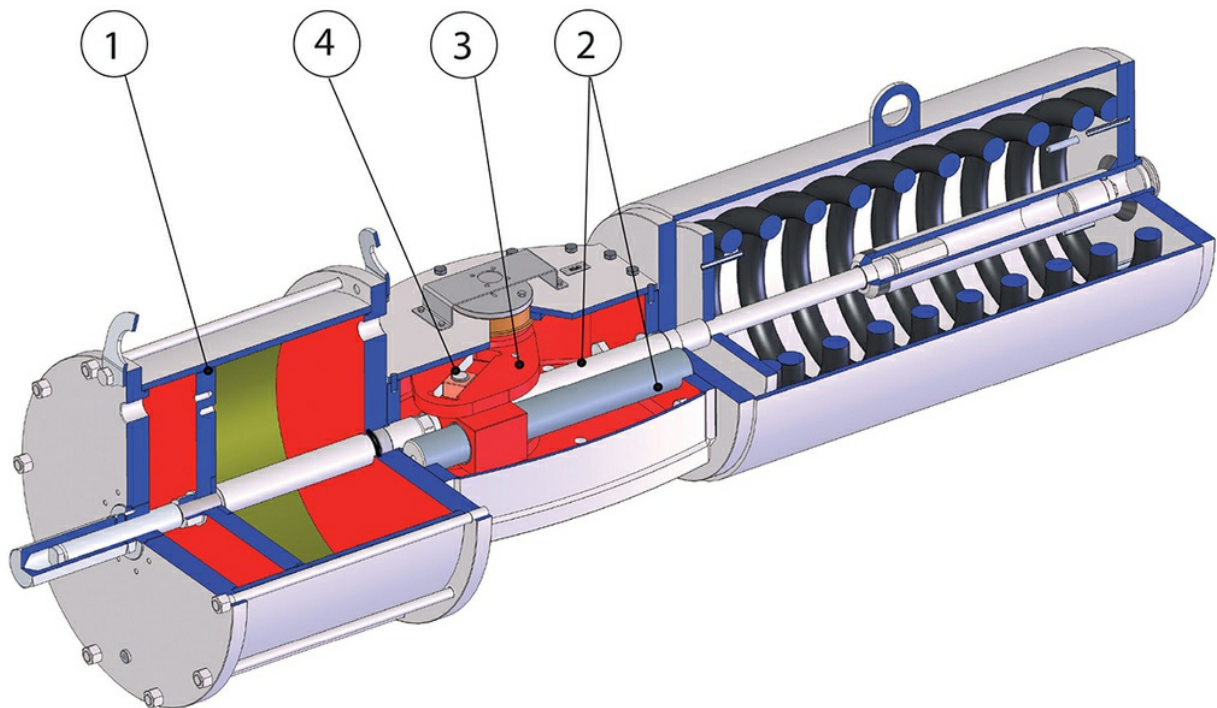
"SR"单效重载碳钢气动执行器



宏 气动执行器

小类 Heavy Duty的碳钢执行器

优点



降低活塞与缸筒之间的摩擦力；
即便长期停用，亦可避免密封件与缸筒发生粘连。
减弱“粘滑” (stick-slip) 效应。

2 传动轴和引导杆采用硬度超过200 HB的镀铬钢材制成
更强的耐腐蚀性能
降低传动轴、引导杆和滑套之间的摩擦力，从而减少组件磨损

3.与执行器控制流分离，将线性运动转换为旋转运动的动力转换系统。
可使用高科技气体驱动执行器
避免爆炸环境

4 滚动摩擦的十字滑块(通过无传动系统将线性运动转换为旋转运动)
活塞和传动轴之间的摩擦力更小，减少零部件磨损
打开和关闭时有着更强的起动扭矩

黄铜衬套
相较于其他材料的衬套，黄铜材料可以降低磨损

ATEX Compliance
可安装于潜在易爆的环境内

最高达SIL3等级的认证
更高的运行安全等级



OMAL S.p.A. Società Benefit

总部地址：意大利共和国布雷西亚省 (BS) 罗登戈·萨伊亚诺 (Rodengo Saiano) ，Via Ponte Nuovo大街11号

制造厂地址：意大利共和国布雷西亚省 (BS) 帕西拉诺 (Passirano) ，Via Brognolo大街12号

电话:+39 0308900145 传真:+39 0308900423

技术参数：

额定扭矩：2,000Nm至32,000Nm。

法兰标准：DIN/ISO 5211, DIN 3337。

Rotation angle: 100° (-5°, +95°)。

Double adjusting +5° and -5° for each end position (0° and 90°)。

供应压力：3bar至8.5bar (输出扭矩参见表格)。

双效型号的起动扭矩与执行器的供应压力成正比；

单效型号在返回时的起动扭矩 (执行器未供应时) 仅取决于弹簧的运动，与供应压力无关。

可用配置：双效，弹簧返回常闭(NC)，弹簧返回常开(NO)。

中央阀体配置：对称或非对称十字滑块

运行条件：

温度范围：标准型号：-20°C~+80°C (密封件材质：NBR)。

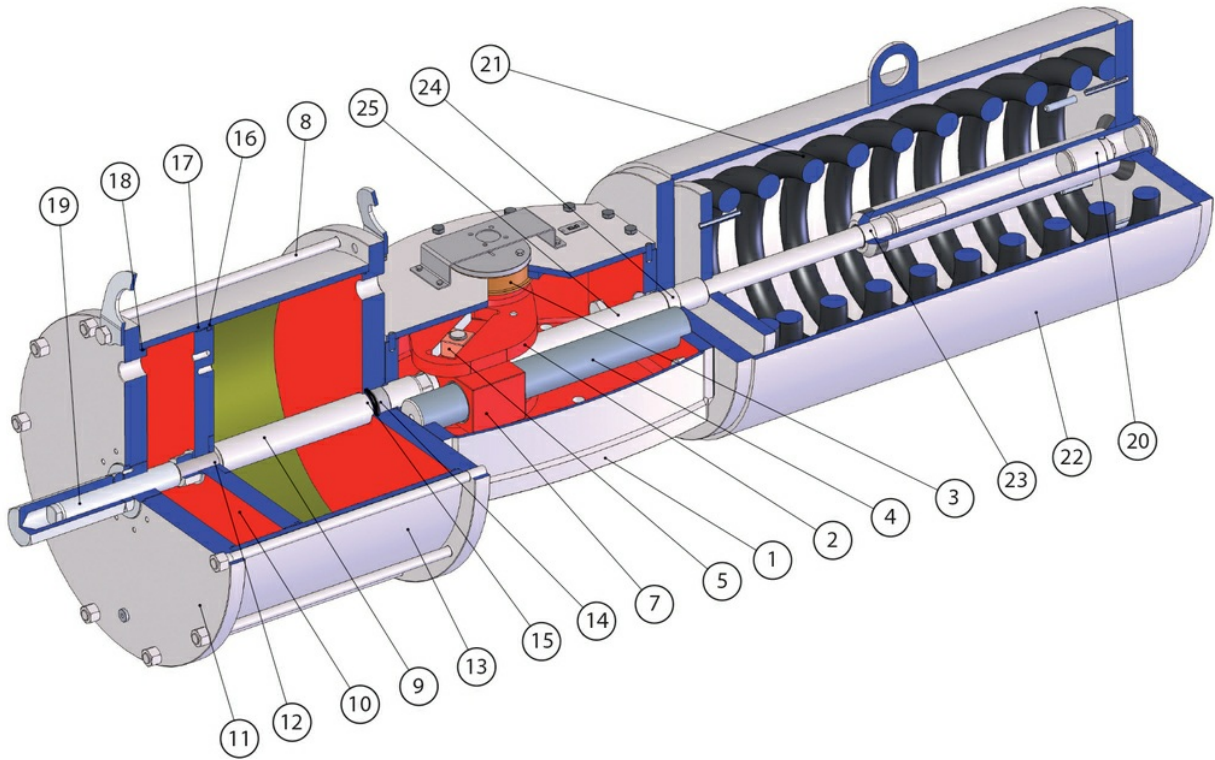
流体源：无需润滑且经过滤的压缩空气，惰性气体，高技术气体。

温度低于0°C时，请使用干燥空气。

需要使用润滑气体时，请使用与密封件材质相兼容的非清洁型油料。

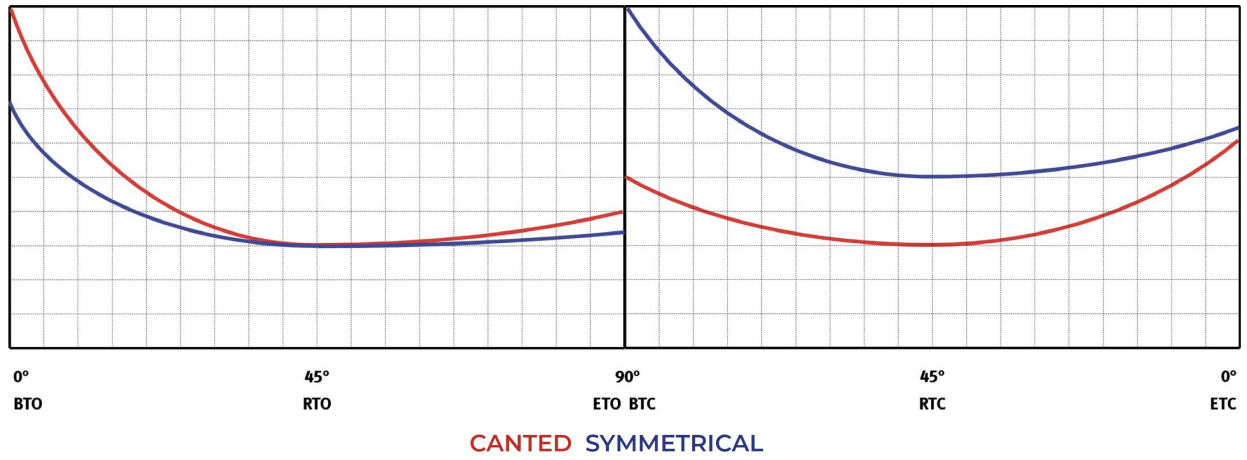
设计准则：

满足EN 15714-3、ISO 5211、ISO 12490。



| 序号 | 名称 | 材料 |
|----|-----------|-----------------|
| 1 | 中央阀体 | 碳钢 |
| 2 | 十字滑块 | 碳钢 |
| 3 | 十字滑块衬套 | 黄铜 |
| 4 | 引导杆 | 合金钢 (镀铬) |
| 5 | 滑动轴承 | 青铜 |
| 6 | 抽气阀 (未绘出) | 黄铜 |
| 7 | 导轨锁 | 碳钢 |
| 8 | 双头螺栓 | 合金钢 |
| 9 | 活塞杆 | 合金钢 (镀铬) |
| 10 | 活塞 | 碳钢 |
| 11 | 法兰 | 碳钢 |
| 12 | O形圈 | Nitrilic rubber |
| 13 | 缸筒 | 碳钢 (镀镍) |
| 14 | 活塞杆衬套 | 钢+青铜+PTFE |
| 15 | G密封件 | NBR+聚氨酯 |
| 16 | O形圈 | Nitrilic rubber |
| 17 | 滑动环 | PTFE + 石墨 |
| 18 | O形圈 | Nitrilic rubber |
| 19 | 调整螺柱 | 合金钢 |
| 20 | 调整螺柱 | 合金钢 |
| 21 | 弹簧 | 合金钢 |
| 22 | 弹簧套件 | 碳钢 |
| 23 | 套箍 | 钢+青铜 + PTFE |
| 24 | 套箍 | 钢+青铜 + PTFE |
| 25 | 弹簧套件杆 | 合金钢 (镀铬) |

单效常闭 - 扭矩图表 (起动扭矩) 单效常闭 - 扭矩图表 (起动扭矩)



| 型号 | 最大扭矩 Nm | 最大扭矩 Nm | | | | | |
|-------------------|---------|---------|-------|-------|--------|-------|--------|
| | | BTO | RTO | ETO | BTC | RTC | ETC |
| SRHG-085C-280A-C2 | 9.000 | | | | | | |
| SRHG-085C-335A-C2 | 9.000 | | | | | | |
| SRHG-085C-385A-C2 | 9.000 | 3.802 | 1.001 | 1.114 | 2.000 | 1.205 | 2.324 |
| SRHG-085C-435A-C2 | 9.000 | 5.563 | 1.704 | 2.090 | 1.996 | 1.202 | 2.315 |
| SRHG-085C-335A-C3 | 9.000 | | | | | | |
| SRHG-085C-385A-C3 | 9.000 | | | | | | |
| SRHG-085C-435A-C3 | 9.000 | | | | | | |
| SRHG-085C-335A-C5 | 9.000 | | | | | | |
| SRHG-085C-385A-C5 | 9.000 | | | | | | |
| SRHG-085C-435A-C5 | 9.000 | | | | | | |
| SRHG-085C-385A-C6 | 9.000 | | | | | | |
| SRHG-085C-435A-C6 | 9.000 | | | | | | |
| SRHG-100C-385A-C1 | 18.000 | | | | | | |
| SRHG-100C-435A-C1 | 18.000 | | | | | | |
| SRHG-100C-485A-C1 | 18.000 | | | | | | |
| SRHG-100C-385A-C2 | 18.000 | | | | | | |
| SRHG-100C-435A-C2 | 18.000 | | | | | | |
| SRHG-100C-485A-C2 | 18.000 | | | | | | |
| SRHG-100C-535A-C2 | 18.000 | | | | | | |
| SRHG-100C-585A-C2 | 18.000 | 10.103 | 2.211 | 2.219 | 6.417 | 3.811 | 7.099 |
| SRHG-100C-535A-C3 | 18.000 | | | | | | |
| SRHG-100C-585A-C3 | 18.000 | | | | | | |
| SRHG-100C-535A-C4 | 18.000 | | | | | | |
| SRHG-100C-585A-C4 | 18.000 | | | | | | |
| SRHG-130C-435A-C1 | 32.000 | | | | | | |
| SRHG-130C-485A-C1 | 32.000 | | | | | | |
| SRHG-130C-535A-C1 | 32.000 | | | | | | |
| SRHG-130C-585A-C1 | 32.000 | 12.419 | 3.055 | 3.258 | 8.138 | 5.017 | 10.196 |
| SRHG-130C-635A-C1 | 32.000 | 16.588 | 4.745 | 5.567 | 8.165 | 5.037 | 10.251 |
| SRHG-130C-385A-C2 | 32.000 | | | | | | |
| SRHG-130C-435A-C2 | 32.000 | | | | | | |
| SRHG-130C-485A-C2 | 32.000 | | | | | | |
| SRHG-130C-535A-C2 | 32.000 | | | | | | |
| SRHG-130C-585A-C2 | 32.000 | | | | | | |
| SRHG-130C-635A-C2 | 32.000 | 15.083 | 3.329 | 3.352 | 10.109 | 6.092 | 11.756 |
| SRHG-130C-485A-C5 | 32.000 | | | | | | |
| SRHG-130C-535A-C5 | 32.000 | | | | | | |
| SRHG-130C-585A-C5 | 32.000 | | | | | | |
| SRHG-130C-635A-C5 | 32.000 | | | | | | |
| SRHG-130C-685A-C5 | 32.000 | 17.075 | 4.457 | 4.931 | 10.859 | 6.780 | 14.156 |
| SRHG-130C-735A-C5 | 32.000 | 21.837 | 6.370 | 7.569 | 10.842 | 6.767 | 14.121 |
| SRHG-130C-535A-C6 | 32.000 | | | | | | |
| SRHG-130C-585A-C6 | 32.000 | | | | | | |
| SRHG-130C-635A-C6 | 32.000 | | | | | | |
| SRHG-130C-685A-C6 | 32.000 | | | | | | |
| SRHG-130C-735A-C6 | 32.000 | | | | | | |

| 型号 | 最大扭矩 Nm | 最大扭矩 (Nm) | | | | | |
|-------------------|------------|-----------|-------|-------|--------|-------|--------|
| | | BTO | RTO | ETO | BTC | RTC | ETC |
| SRHG-085S-280A-C2 | 9.000 | | | | | | |
| SRHG-085S-335A-C2 | 9.000 | 1.441 | 393 | 383 | 2.336 | 1.123 | 1.475 |
| SRHG-085S-385A-C2 | 9.000 | 2.421 | 1.138 | 1.454 | 2.326 | 1.116 | 1.464 |
| SRHG-085S-435A-C2 | 9.000 | 3.543 | 1.848 | 2.681 | 2.321 | 1.113 | 1.459 |
| SRHG-085S-335A-C3 | 9.000 | | | | | | |
| SRHG-085S-385A-C3 | 9.000 | | | | | | |
| SRHG-085S-435A-C3 | 9.000 | 2.652 | 924 | 915 | 3.782 | 1.801 | 2.340 |
| SRHG-085S-335A-C5 | 9.000 | | | | | | |
| SRHG-085S-385A-C5 | 9.000 | | | | | | |
| SRHG-085S-435A-C5 | 9.000 | 2.295 | 544 | 525 | 4.105 | 2.007 | 2.692 |
| SRHG-085S-385A-C6 | 9.000 | | | | | | |
| SRHG-085S-435A-C6 | 9.000 | | | | | | |
| SRHG-100S-385A-C1 | 18.000 | | | | | | |
| SRHG-100S-435A-C1 | 18.000 | | | | | | |
| SRHG-100S-485A-C1 | 18.000 | | | | | | |
| SRHG-100S-535A-C1 | 18.000 | 5.834 | 2.281 | 2.317 | 6.315 | 2.764 | 3.228 |
| SRHG-100S-585A-C1 | 18.000 | 7.679 | 3.511 | 4.333 | 6.327 | 2.773 | 3.242 |
| SRHG-100S-385A-C2 | 18.000 | | | | | | |
| SRHG-100S-435A-C2 | 18.000 | | | | | | |
| SRHG-100S-485A-C2 | 18.000 | | | | | | |
| SRHG-100S-535A-C2 | 18.000 | 4.589 | 998 | 956 | 7.441 | 3.495 | 4.460 |
| SRHG-100S-585A-C2 | 18.000 | 6.434 | 2.694 | 2.972 | 7.454 | 3.503 | 4.474 |
| SRHG-100S-535A-C3 | 18.000 | | | | | | |
| SRHG-100S-585A-C3 | 18.000 | | | | | | |
| SRHG-100S-535A-C4 | 18.000 | | | | | | |
| SRHG-100S-585A-C4 | 18.000 | | | | | | |
| SRHG-130S-435A-C1 | 32.000 | | | | | | |
| SRHG-130S-485A-C1 | 32.000 | | | | | | |
| SRHG-130S-535A-C1 | 32.000 | 5.484 | 1.669 | 1.640 | 9.466 | 4.694 | 6.407 |
| SRHG-130S-585A-C1 | 32.000 | 7.909 | 3.554 | 4.291 | 9.483 | 4.705 | 6.426 |
| SRHG-130S-635A-C1 | 32.000 | 10.564 | 5.253 | 7.193 | 9.515 | 4.725 | 6.460 |
| SRHG-130S-385A-C2 | 32.000 | | | | | | |
| SRHG-130S-435A-C2 | 32.000 | | | | | | |
| SRHG-130S-485A-C2 | 32.000 | | | | | | |
| SRHG-130S-535A-C2 | 32.000 | | | | | | |
| SRHG-130S-585A-C2 | 32.000 | 6.950 | 1.640 | 1.582 | 11.725 | 5.626 | 7.374 |
| SRHG-130S-635A-C2 | 32.000 | 9.605 | 4.040 | 4.484 | 11.757 | 5.646 | 7.409 |
| SRHG-130S-685A-C2 | 32.000 | 12.424 | 5.876 | 7.566 | 11.738 | 5.634 | 7.388 |
| SRHG-130S-485A-C5 | 32.000 | | | | | | |
| SRHG-130S-535A-C5 | 32.000 | | | | | | |
| SRHG-130S-585A-C5 | 32.000 | | | | | | |
| SRHG-130S-635A-C5 | 32.000 | 8.054 | 3.222 | 3.361 | 12.686 | 6.408 | 8.942 |
| SRHG-130S-685A-C5 | 32.000 | 10.874 | 5.081 | 6.443 | 12.668 | 6.396 | 8.922 |
| SRHG-130S-735A-C5 | 32.000 | 13.907 | 7.010 | 9.758 | 12.647 | 6.383 | 8.899 |
| SRHG-130S-535A-C6 | 32.000 | | | | | | |
| SRHG-130S-585A-C6 | 32.000 | | | | | | |
| SRHG-130S-635A-C6 | 32.000 | | | | | | |
| SRHG-130S-685A-C6 | 32.000 | | | | | | |
| SRHG-130S-735A-C6 | 32.000 | 11.983 | 4.588 | 4.569 | 16.943 | 8.179 | 10.802 |

| 型号 | 最大扭矩 Nm | 3,5 BAR 对称 - 常闭输出扭矩 (Nm) | | | | | |
|-------------------|------------|--------------------------|-------|--------|--------|-------|--------|
| | | BTO | RTO | ETO | BTC | RTC | ETC |
| SRHG-085C-280A-C2 | 9.000 | | | | | | |
| SRHG-085C-335A-C2 | 9.000 | 3.070 | 696 | 709 | 2.008 | 1.211 | 2.340 |
| SRHG-085C-385A-C2 | 9.000 | 4.868 | 1.429 | 1.705 | 2.000 | 1.205 | 2.324 |
| SRHG-085C-435A-C2 | 9.000 | 6.925 | 2.241 | 2.844 | 1.996 | 1.202 | 2.315 |
| SRHG-085C-335A-C3 | 9.000 | | | | | | |
| SRHG-085C-385A-C3 | 9.000 | | | | | | |
| SRHG-085C-435A-C3 | 9.000 | 5.526 | 1.336 | 1.411 | 3.254 | 1.950 | 3.713 |
| SRHG-085C-335A-C5 | 9.000 | | | | | | |
| SRHG-085C-385A-C5 | 9.000 | | | | | | |
| SRHG-085C-435A-C5 | 9.000 | 4.966 | 1.094 | 1.101 | 3.526 | 2.151 | 4.272 |
| SRHG-085C-385A-C6 | 9.000 | | | | | | |
| SRHG-085C-435A-C6 | 9.000 | | | | | | |
| SRHG-100C-385A-C1 | 18.000 | | | | | | |
| SRHG-100C-435A-C1 | 18.000 | | | | | | |
| SRHG-100C-485A-C1 | 18.000 | | | | | | |
| SRHG-100C-385A-C2 | 18.000 | | | | | | |
| SRHG-100C-435A-C2 | 18.000 | | | | | | |
| SRHG-100C-485A-C2 | 18.000 | | | | | | |
| SRHG-100C-535A-C2 | 18.000 | 9.656 | 1.976 | 1.971 | 6.406 | 3.803 | 7.076 |
| SRHG-100C-585A-C2 | 18.000 | 13.032 | 3.444 | 3.841 | 6.417 | 3.811 | 7.099 |
| SRHG-100C-535A-C3 | 18.000 | | | | | | |
| SRHG-100C-585A-C3 | 18.000 | | | | | | |
| SRHG-100C-535A-C4 | 18.000 | | | | | | |
| SRHG-100C-585A-C4 | 18.000 | 9.899 | 2.114 | 1.686 | 8.881 | 5.365 | 10.614 |
| SRHG-130C-435A-C1 | 32.000 | | | | | | |
| SRHG-130C-485A-C1 | 32.000 | | | | | | |
| SRHG-130C-535A-C1 | 32.000 | 11.833 | 2.808 | 2.933 | 8.124 | 5.007 | 10.167 |
| SRHG-130C-585A-C1 | 32.000 | 16.271 | 4.618 | 5.391 | 8.138 | 5.017 | 10.196 |
| SRHG-130C-635A-C1 | 32.000 | 21.126 | 6.544 | 8.081 | 8.165 | 5.037 | 10.251 |
| SRHG-130C-385A-C2 | 32.000 | | | | | | |
| SRHG-130C-435A-C2 | 32.000 | | | | | | |
| SRHG-130C-485A-C2 | 32.000 | | | | | | |
| SRHG-130C-535A-C2 | 32.000 | | | | | | |
| SRHG-130C-585A-C2 | 32.000 | 14.765 | 3.178 | 3.176 | 10.082 | 6.073 | 11.701 |
| SRHG-130C-635A-C2 | 32.000 | 19.621 | 5.231 | 5.865 | 10.109 | 6.092 | 11.756 |
| SRHG-130C-485A-C5 | 32.000 | | | | | | |
| SRHG-130C-535A-C5 | 32.000 | | | | | | |
| SRHG-130C-585A-C5 | 32.000 | | | | | | |
| SRHG-130C-635A-C5 | 32.000 | 17.186 | 4.502 | 4.992 | 10.875 | 6.792 | 14.189 |
| SRHG-130C-685A-C5 | 32.000 | 22.356 | 6.576 | 7.856 | 10.859 | 6.780 | 14.156 |
| SRHG-130C-735A-C5 | 32.000 | 27.917 | 8.776 | 10.937 | 10.842 | 6.767 | 14.121 |
| SRHG-130C-535A-C6 | 32.000 | | | | | | |
| SRHG-130C-585A-C6 | 32.000 | | | | | | |
| SRHG-130C-635A-C6 | 32.000 | | | | | | |
| SRHG-130C-685A-C6 | 32.000 | | | | | | |
| SRHG-130C-735A-C6 | 32.000 | 24.897 | 6.220 | 6.696 | 14.563 | 8.808 | 17.139 |

| 型号 | 最大扭矩 Nm | 额定输出扭矩 (Nm) | | | | | |
|-------------------|------------|-------------|-------|--------|--------|-------|--------|
| | | BTO | RTO | ETO | BTC | RTC | ETC |
| SRHG-085S-280A-C2 | 9.000 | | | | | | |
| SRHG-085S-335A-C2 | 9.000 | 1.955 | 835 | 945 | 2.336 | 1.123 | 1.475 |
| SRHG-085S-385A-C2 | 9.000 | 3.100 | 1.569 | 2.197 | 2.326 | 1.116 | 1.464 |
| SRHG-085S-435A-C2 | 9.000 | 4.410 | 2.392 | 3.628 | 2.321 | 1.113 | 1.459 |
| SRHG-085S-335A-C3 | 9.000 | | | | | | |
| SRHG-085S-385A-C3 | 9.000 | | | | | | |
| SRHG-085S-435A-C3 | 9.000 | 3.519 | 1.564 | 1.863 | 3.782 | 1.801 | 2.340 |
| SRHG-085S-335A-C5 | 9.000 | | | | | | |
| SRHG-085S-385A-C5 | 9.000 | | | | | | |
| SRHG-085S-435A-C5 | 9.000 | 3.162 | 1.329 | 1.473 | 4.105 | 2.007 | 2.692 |
| SRHG-085S-385A-C6 | 9.000 | | | | | | |
| SRHG-085S-435A-C6 | 9.000 | | | | | | |
| SRHG-100S-385A-C1 | 18.000 | | | | | | |
| SRHG-100S-435A-C1 | 18.000 | | | | | | |
| SRHG-100S-485A-C1 | 18.000 | 5.445 | 1.908 | 1.891 | 6.311 | 2.762 | 3.225 |
| SRHG-100S-535A-C1 | 18.000 | 7.394 | 3.327 | 4.022 | 6.315 | 2.764 | 3.228 |
| SRHG-100S-585A-C1 | 18.000 | 9.544 | 4.704 | 6.372 | 6.327 | 2.773 | 3.242 |
| SRHG-100S-385A-C2 | 18.000 | | | | | | |
| SRHG-100S-435A-C2 | 18.000 | | | | | | |
| SRHG-100S-485A-C2 | 18.000 | | | | | | |
| SRHG-100S-535A-C2 | 18.000 | 6.149 | 2.501 | 2.661 | 7.441 | 3.495 | 4.460 |
| SRHG-100S-585A-C2 | 18.000 | 8.299 | 3.911 | 5.011 | 7.454 | 3.503 | 4.474 |
| SRHG-100S-535A-C3 | 18.000 | 5.548 | 2.031 | 1.446 | 9.139 | 4.386 | 5.400 |
| SRHG-100S-585A-C3 | 18.000 | 7.550 | 3.186 | 3.386 | 9.139 | 4.386 | 5.400 |
| SRHG-100S-535A-C4 | 18.000 | | | | | | |
| SRHG-100S-585A-C4 | 18.000 | 6.380 | 2.511 | 2.252 | 10.363 | 5.151 | 6.750 |
| SRHG-130S-435A-C1 | 32.000 | | | | | | |
| SRHG-130S-485A-C1 | 32.000 | 4.972 | 1.124 | 1.080 | 9.462 | 4.691 | 6.403 |
| SRHG-130S-535A-C1 | 32.000 | 7.535 | 3.310 | 3.882 | 9.466 | 4.694 | 6.407 |
| SRHG-130S-585A-C1 | 32.000 | 10.362 | 5.125 | 6.972 | 9.483 | 4.705 | 6.426 |
| SRHG-130S-635A-C1 | 32.000 | 13.454 | 7.074 | 10.352 | 9.515 | 4.725 | 6.460 |
| SRHG-130S-385A-C2 | 32.000 | | | | | | |
| SRHG-130S-435A-C2 | 32.000 | | | | | | |
| SRHG-130S-485A-C2 | 32.000 | | | | | | |
| SRHG-130S-535A-C2 | 32.000 | | | | | | |
| SRHG-130S-585A-C2 | 32.000 | 9.403 | 3.905 | 4.263 | 11.725 | 5.626 | 7.374 |
| SRHG-130S-635A-C2 | 32.000 | 12.495 | 5.922 | 7.643 | 11.757 | 5.646 | 7.409 |
| SRHG-130S-685A-C2 | 32.000 | 15.788 | 8.011 | 11.242 | 11.738 | 5.634 | 7.388 |
| SRHG-130S-485A-C5 | 32.000 | | | | | | |
| SRHG-130S-535A-C5 | 32.000 | | | | | | |
| SRHG-130S-585A-C5 | 32.000 | 7.852 | 3.081 | 3.140 | 12.655 | 6.388 | 8.908 |
| SRHG-130S-635A-C5 | 32.000 | 10.945 | 5.126 | 6.520 | 12.686 | 6.408 | 8.942 |
| SRHG-130S-685A-C5 | 32.000 | 14.237 | 7.218 | 10.119 | 12.668 | 6.396 | 8.922 |
| SRHG-130S-735A-C5 | 32.000 | 17.779 | 9.445 | 13.990 | 12.647 | 6.383 | 8.899 |
| SRHG-130S-535A-C6 | 32.000 | | | | | | |
| SRHG-130S-585A-C6 | 32.000 | | | | | | |
| SRHG-130S-635A-C6 | 32.000 | | | | | | |
| SRHG-130S-685A-C6 | 32.000 | 12.313 | 4.834 | 4.930 | 16.963 | 8.192 | 10.824 |
| SRHG-130S-735A-C6 | 32.000 | 15.855 | 7.198 | 8.801 | 16.943 | 8.179 | 10.802 |

| 型号 | 最大扭矩 Nm | 4 BAR 对称 - 常闭输出扭矩 (Nm) | | | | | |
|-------------------|---------|------------------------|--------|--------|--------|-------|--------|
| | | BTO | RTO | ETO | BTC | RTC | ETC |
| SRHG-085C-280A-C2 | 9.000 | | | | | | |
| SRHG-085C-335A-C2 | 9.000 | 3.878 | 1.032 | 1.156 | 2.008 | 1.211 | 2.340 |
| SRHG-085C-385A-C2 | 9.000 | 5.934 | 1.851 | 2.296 | 2.000 | 1.205 | 2.324 |
| SRHG-085C-435A-C2 | 9.000 | 8.286 | 2.775 | 3.598 | 1.996 | 1.202 | 2.315 |
| SRHG-085C-335A-C3 | 9.000 | | | | | | |
| SRHG-085C-385A-C3 | 9.000 | | | | | | |
| SRHG-085C-435A-C3 | 9.000 | 6.887 | 1.893 | 2.165 | 3.254 | 1.950 | 3.713 |
| SRHG-085C-335A-C5 | 9.000 | | | | | | |
| SRHG-085C-385A-C5 | 9.000 | | | | | | |
| SRHG-085C-435A-C5 | 9.000 | 6.327 | 1.667 | 1.855 | 3.526 | 2.151 | 4.272 |
| SRHG-085C-385A-C6 | 9.000 | | | | | | |
| SRHG-085C-435A-C6 | 9.000 | | | | | | |
| SRHG-100C-385A-C1 | 18.000 | | | | | | |
| SRHG-100C-435A-C1 | 18.000 | | | | | | |
| SRHG-100C-485A-C1 | 18.000 | 10.564 | 2.416 | 2.474 | 5.453 | 3.095 | 5.117 |
| SRHG-100C-385A-C2 | 18.000 | | | | | | |
| SRHG-100C-435A-C2 | 18.000 | | | | | | |
| SRHG-100C-485A-C2 | 18.000 | 8.855 | 1.979 | 1.713 | 6.543 | 3.833 | 7.076 |
| SRHG-100C-535A-C2 | 18.000 | 12.106 | 3.066 | 3.329 | 6.406 | 3.803 | 7.076 |
| SRHG-100C-585A-C2 | 18.000 | 15.636 | 4.332 | 5.155 | 6.543 | 3.833 | 7.076 |
| SRHG-100C-535A-C3 | 18.000 | 10.877 | 2.448 | 2.183 | 7.851 | 4.615 | 8.491 |
| SRHG-100C-585A-C3 | 18.000 | 14.426 | 3.680 | 3.984 | 7.851 | 4.615 | 8.491 |
| SRHG-100C-535A-C4 | 18.000 | 9.061 | 1.823 | 1.261 | 8.881 | 5.365 | 10.614 |
| SRHG-100C-585A-C4 | 18.000 | 12.610 | 3.055 | 3.063 | 8.881 | 5.365 | 10.614 |
| SRHG-130C-435A-C1 | 32.000 | | | | | | |
| SRHG-130C-485A-C1 | 32.000 | 10.455 | 2.173 | 2.169 | 8.120 | 5.004 | 10.159 |
| SRHG-130C-535A-C1 | 32.000 | 15.054 | 4.130 | 4.717 | 8.124 | 5.007 | 10.167 |
| SRHG-130C-585A-C1 | 32.000 | 20.122 | 6.148 | 7.525 | 8.138 | 5.017 | 10.196 |
| SRHG-130C-635A-C1 | 32.000 | 25.664 | 8.332 | 10.594 | 8.165 | 5.037 | 10.251 |
| SRHG-130C-385A-C2 | 32.000 | | | | | | |
| SRHG-130C-435A-C2 | 32.000 | | | | | | |
| SRHG-130C-485A-C2 | 32.000 | | | | | | |
| SRHG-130C-535A-C2 | 32.000 | | | | | | |
| SRHG-130C-585A-C2 | 32.000 | 18.617 | 4.822 | 5.309 | 10.082 | 6.073 | 11.701 |
| SRHG-130C-635A-C2 | 32.000 | 24.158 | 7.050 | 8.379 | 10.109 | 6.092 | 11.756 |
| SRHG-130C-485A-C5 | 32.000 | | | | | | |
| SRHG-130C-535A-C5 | 32.000 | | | | | | |
| SRHG-130C-585A-C5 | 32.000 | 16.182 | 4.091 | 4.436 | 10.849 | 6.772 | 14.134 |
| SRHG-130C-635A-C5 | 32.000 | 21.724 | 6.325 | 7.506 | 10.875 | 6.792 | 14.189 |
| SRHG-130C-685A-C5 | 32.000 | 27.636 | 8.666 | 10.781 | 10.859 | 6.780 | 14.156 |
| SRHG-130C-735A-C5 | 32.000 | 33.997 | 11.167 | 14.304 | 10.842 | 6.767 | 14.121 |
| SRHG-130C-535A-C6 | 32.000 | | | | | | |
| SRHG-130C-585A-C6 | 32.000 | | | | | | |
| SRHG-130C-635A-C6 | 32.000 | | | | | | |
| SRHG-130C-685A-C6 | 32.000 | 24.616 | 6.104 | 6.541 | 14.581 | 8.821 | 17.175 |
| SRHG-130C-735A-C6 | 32.000 | 30.977 | 8.688 | 10.064 | 14.563 | 8.808 | 17.139 |

| 型号 | 最大扭矩 Nm | 最大扭矩 (Nm) | | | | | |
|-------------------|------------|-----------|--------|--------|--------|-------|--------|
| | | BTO | RTO | ETO | BTC | RTC | ETC |
| SRHG-085S-280A-C2 | 9.000 | | | | | | |
| SRHG-085S-335A-C2 | 9.000 | 2.469 | 1.169 | 1.507 | 2.336 | 1.123 | 1.475 |
| SRHG-085S-385A-C2 | 9.000 | 3.779 | 1.997 | 2.939 | 2.326 | 1.116 | 1.464 |
| SRHG-085S-435A-C2 | 9.000 | 5.277 | 2.933 | 4.576 | 2.321 | 1.113 | 1.459 |
| SRHG-085S-335A-C3 | 9.000 | | | | | | |
| SRHG-085S-385A-C3 | 9.000 | 2.888 | 1.141 | 1.173 | 3.788 | 1.805 | 2.345 |
| SRHG-085S-435A-C3 | 9.000 | 4.386 | 2.122 | 2.810 | 3.782 | 1.801 | 2.340 |
| SRHG-085S-335A-C5 | 9.000 | | | | | | |
| SRHG-085S-385A-C5 | 9.000 | 2.532 | 796 | 784 | 4.110 | 2.010 | 2.698 |
| SRHG-085S-435A-C5 | 9.000 | 4.029 | 1.894 | 2.421 | 4.105 | 2.007 | 2.692 |
| SRHG-085S-385A-C6 | 9.000 | | | | | | |
| SRHG-085S-435A-C6 | 9.000 | 3.478 | 1.326 | 1.320 | 5.016 | 2.435 | 3.238 |
| SRHG-100S-385A-C1 | 18.000 | | | | | | |
| SRHG-100S-435A-C1 | 18.000 | 4.746 | 1.165 | 1.127 | 6.336 | 2.779 | 3.252 |
| SRHG-100S-485A-C1 | 18.000 | 6.727 | 2.889 | 3.293 | 6.311 | 2.762 | 3.225 |
| SRHG-100S-535A-C1 | 18.000 | 8.955 | 4.329 | 5.728 | 6.315 | 2.764 | 3.228 |
| SRHG-100S-585A-C1 | 18.000 | 11.410 | 5.882 | 8.411 | 6.327 | 2.773 | 3.242 |
| SRHG-100S-385A-C2 | 18.000 | | | | | | |
| SRHG-100S-435A-C2 | 18.000 | | | | | | |
| SRHG-100S-485A-C2 | 18.000 | 5.482 | 1.948 | 1.932 | 7.438 | 3.492 | 4.456 |
| SRHG-100S-535A-C2 | 18.000 | 7.710 | 3.531 | 4.367 | 7.441 | 3.495 | 4.460 |
| SRHG-100S-585A-C2 | 18.000 | 10.165 | 5.097 | 7.050 | 7.454 | 3.503 | 4.474 |
| SRHG-100S-535A-C3 | 18.000 | 7.010 | 2.874 | 2.863 | 9.139 | 4.386 | 5.400 |
| SRHG-100S-585A-C3 | 18.000 | 9.297 | 4.193 | 5.079 | 9.139 | 4.386 | 5.400 |
| SRHG-100S-535A-C4 | 18.000 | 5.840 | 2.199 | 1.729 | 10.363 | 5.151 | 6.750 |
| SRHG-100S-585A-C4 | 18.000 | 8.127 | 3.518 | 3.945 | 10.363 | 5.151 | 6.750 |
| SRHG-130S-435A-C1 | 32.000 | | | | | | |
| SRHG-130S-485A-C1 | 32.000 | 6.658 | 2.725 | 2.923 | 9.462 | 4.691 | 6.403 |
| SRHG-130S-535A-C1 | 32.000 | 9.587 | 4.632 | 6.125 | 9.466 | 4.694 | 6.407 |
| SRHG-130S-585A-C1 | 32.000 | 12.815 | 6.672 | 9.653 | 9.483 | 4.705 | 6.426 |
| SRHG-130S-635A-C1 | 32.000 | 16.344 | 8.884 | 13.511 | 9.515 | 4.725 | 6.460 |
| SRHG-130S-385A-C2 | 32.000 | | | | | | |
| SRHG-130S-435A-C2 | 32.000 | | | | | | |
| SRHG-130S-485A-C2 | 32.000 | | | | | | |
| SRHG-130S-535A-C2 | 32.000 | 8.628 | 3.369 | 3.416 | 11.708 | 5.615 | 7.356 |
| SRHG-130S-585A-C2 | 32.000 | 11.856 | 5.511 | 6.944 | 11.725 | 5.626 | 7.374 |
| SRHG-130S-635A-C2 | 32.000 | 15.385 | 7.757 | 10.802 | 11.757 | 5.646 | 7.409 |
| SRHG-130S-685A-C2 | 32.000 | 19.151 | 10.126 | 14.918 | 11.738 | 5.634 | 7.388 |
| SRHG-130S-485A-C5 | 32.000 | | | | | | |
| SRHG-130S-535A-C5 | 32.000 | 7.077 | 2.322 | 2.293 | 12.638 | 6.377 | 8.889 |
| SRHG-130S-585A-C5 | 32.000 | 10.305 | 4.714 | 5.821 | 12.655 | 6.388 | 8.908 |
| SRHG-130S-635A-C5 | 32.000 | 13.835 | 6.964 | 9.679 | 12.686 | 6.408 | 8.942 |
| SRHG-130S-685A-C5 | 32.000 | 17.600 | 9.333 | 13.795 | 12.668 | 6.396 | 8.922 |
| SRHG-130S-735A-C5 | 32.000 | 21.651 | 11.868 | 18.223 | 12.647 | 6.383 | 8.899 |
| SRHG-130S-535A-C6 | 32.000 | | | | | | |
| SRHG-130S-585A-C6 | 32.000 | | | | | | |
| SRHG-130S-635A-C6 | 32.000 | 11.911 | 4.512 | 4.490 | 16.982 | 8.204 | 10.845 |
| SRHG-130S-685A-C6 | 32.000 | 15.677 | 7.082 | 8.606 | 16.963 | 8.192 | 10.824 |
| SRHG-130S-735A-C6 | 32.000 | 19.728 | 9.677 | 13.034 | 16.943 | 8.179 | 10.802 |

| 型号 | 最大扭矩 Nm | 4,5 BAR 对称 - 常闭输出扭矩 (Nm) | | | | | |
|-------------------|------------|--------------------------|-------|-------|-------|-------|--------|
| | | BTO | RTO | ETO | BTC | RTC | ETC |
| SRHG-085C-280A-C2 | 9.000 | | | | | | |
| SRHG-085C-335A-C2 | 9.000 | 4.743 | 1.321 | 1.589 | 2.082 | 1.246 | 2.406 |
| SRHG-085C-385A-C2 | 9.000 | 6.925 | 2.078 | 2.696 | 2.082 | 1.246 | 2.406 |
| SRHG-085C-435A-C2 | 9.000 | | | | | | |
| SRHG-085C-335A-C3 | 9.000 | | | | | | |
| SRHG-085C-385A-C3 | 9.000 | 5.811 | 1.440 | 1.494 | 3.427 | 2.012 | 3.709 |
| SRHG-085C-435A-C3 | 9.000 | 8.295 | 2.302 | 2.755 | 3.427 | 2.012 | 3.709 |
| SRHG-085C-335A-C5 | 9.000 | | | | | | |
| SRHG-085C-385A-C5 | 9.000 | | | | | | |
| SRHG-085C-435A-C5 | 9.000 | 7.867 | 2.154 | 2.537 | 3.670 | 2.190 | 4.210 |
| SRHG-085C-385A-C6 | 9.000 | | | | | | |
| SRHG-085C-435A-C6 | 9.000 | 6.997 | 1.631 | 1.541 | 4.783 | 2.817 | 5.227 |
| SRHG-100C-385A-C1 | 18.000 | | | | | | |
| SRHG-100C-435A-C1 | 18.000 | 9.053 | 2.040 | 1.813 | 5.627 | 3.169 | 5.189 |
| SRHG-100C-485A-C1 | 18.000 | 12.332 | 3.178 | 3.478 | 5.627 | 3.169 | 5.189 |
| SRHG-100C-385A-C2 | 18.000 | | | | | | |
| SRHG-100C-435A-C2 | 18.000 | | | | | | |
| SRHG-100C-485A-C2 | 18.000 | 10.719 | 2.625 | 2.659 | 6.543 | 3.833 | 7.076 |
| SRHG-100C-535A-C2 | 18.000 | 14.355 | 3.887 | 4.504 | 6.543 | 3.833 | 7.076 |
| SRHG-100C-585A-C2 | 18.000 | | | | | | |
| SRHG-100C-535A-C3 | 18.000 | 13.144 | 3.235 | 3.334 | 7.851 | 4.615 | 8.491 |
| SRHG-100C-585A-C3 | 18.000 | 17.137 | 4.620 | 5.360 | 7.851 | 4.615 | 8.491 |
| SRHG-100C-535A-C4 | 18.000 | 11.329 | 2.610 | 2.412 | 8.881 | 5.365 | 10.614 |
| SRHG-100C-585A-C4 | 18.000 | 15.321 | 3.995 | 4.439 | 8.881 | 5.365 | 10.614 |
| SRHG-130C-435A-C1 | 32.000 | | | | | | |
| SRHG-130C-485A-C1 | 32.000 | | | | | | |
| SRHG-130C-535A-C1 | 32.000 | | | | | | |
| SRHG-130C-585A-C1 | 32.000 | | | | | | |
| SRHG-130C-635A-C1 | 32.000 | | | | | | |
| SRHG-130C-385A-C2 | 32.000 | | | | | | |
| SRHG-130C-435A-C2 | 32.000 | | | | | | |
| SRHG-130C-485A-C2 | 32.000 | | | | | | |
| SRHG-130C-535A-C2 | 32.000 | | | | | | |
| SRHG-130C-585A-C2 | 32.000 | | | | | | |
| SRHG-130C-635A-C2 | 32.000 | | | | | | |
| SRHG-130C-485A-C5 | 32.000 | | | | | | |
| SRHG-130C-535A-C5 | 32.000 | | | | | | |
| SRHG-130C-585A-C5 | 32.000 | | | | | | |
| SRHG-130C-635A-C5 | 32.000 | | | | | | |
| SRHG-130C-685A-C5 | 32.000 | | | | | | |
| SRHG-130C-735A-C5 | 32.000 | | | | | | |
| SRHG-130C-535A-C6 | 32.000 | | | | | | |
| SRHG-130C-585A-C6 | 32.000 | | | | | | |
| SRHG-130C-635A-C6 | 32.000 | | | | | | |
| SRHG-130C-685A-C6 | 32.000 | | | | | | |
| SRHG-130C-735A-C6 | 32.000 | | | | | | |

| 型号 | 最大扭矩 Nm | 最大扭矩 Nm | | | | | |
|-------------------|---------|---------|-------|-------|--------|-------|-------|
| | | BTO | RTO | ETO | BTC | RTC | ETC |
| SRHG-085S-280A-C2 | 9.000 | 1.736 | 715 | 719 | 2.357 | 1.136 | 1.498 |
| SRHG-085S-335A-C2 | 9.000 | 3.057 | 1.477 | 1.999 | 2.336 | 1.123 | 1.475 |
| SRHG-085S-385A-C2 | 9.000 | 4.463 | 2.288 | 3.362 | 2.326 | 1.116 | 1.464 |
| SRHG-085S-435A-C2 | 9.000 | 6.064 | 3.212 | 4.914 | 2.321 | 1.113 | 1.459 |
| SRHG-085S-335A-C3 | 9.000 | 2.339 | 839 | 553 | 3.797 | 1.811 | 2.356 |
| SRHG-085S-385A-C3 | 9.000 | 3.745 | 1.650 | 1.916 | 3.788 | 1.805 | 2.345 |
| SRHG-085S-435A-C3 | 9.000 | 5.346 | 2.574 | 3.468 | 3.782 | 1.801 | 2.340 |
| SRHG-085S-335A-C5 | 9.000 | | | | | | |
| SRHG-085S-385A-C5 | 9.000 | 3.468 | 1.491 | 1.648 | 4.110 | 2.010 | 2.698 |
| SRHG-085S-435A-C5 | 9.000 | 5.070 | 2.415 | 3.200 | 4.105 | 2.007 | 2.692 |
| SRHG-085S-385A-C6 | 9.000 | | | | | | |
| SRHG-085S-435A-C6 | 9.000 | 4.282 | 1.938 | 2.310 | 5.016 | 2.435 | 3.238 |
| SRHG-100S-385A-C1 | 18.000 | | | | | | |
| SRHG-100S-435A-C1 | 18.000 | 5.834 | 2.391 | 2.379 | 6.336 | 2.779 | 3.252 |
| SRHG-100S-485A-C1 | 18.000 | 7.948 | 3.610 | 4.427 | 6.311 | 2.762 | 3.225 |
| SRHG-100S-535A-C1 | 18.000 | 10.291 | 4.962 | 6.698 | 6.315 | 2.764 | 3.228 |
| SRHG-100S-585A-C1 | 18.000 | 12.864 | 6.446 | 9.192 | 6.315 | 2.764 | 3.228 |
| SRHG-100S-385A-C2 | 18.000 | | | | | | |
| SRHG-100S-435A-C2 | 18.000 | 4.794 | 1.791 | 1.371 | 7.463 | 3.508 | 4.483 |
| SRHG-100S-485A-C2 | 18.000 | 6.908 | 3.010 | 3.419 | 7.438 | 3.492 | 4.456 |
| SRHG-100S-535A-C2 | 18.000 | 9.251 | 4.362 | 5.690 | 7.441 | 3.495 | 4.460 |
| SRHG-100S-585A-C2 | 18.000 | 11.824 | 5.846 | 8.184 | 7.454 | 3.503 | 4.474 |
| SRHG-100S-535A-C3 | 18.000 | 8.471 | 3.717 | 4.279 | 9.139 | 4.386 | 5.400 |
| SRHG-100S-585A-C3 | 18.000 | 11.044 | 5.201 | 6.773 | 9.139 | 4.386 | 5.400 |
| SRHG-100S-535A-C4 | 18.000 | 7.301 | 3.042 | 3.145 | 10.363 | 5.151 | 6.750 |
| SRHG-100S-585A-C4 | 18.000 | 9.874 | 4.526 | 5.639 | 10.363 | 5.151 | 6.750 |
| SRHG-130S-435A-C1 | 32.000 | | | | | | |
| SRHG-130S-485A-C1 | 32.000 | | | | | | |
| SRHG-130S-535A-C1 | 32.000 | | | | | | |
| SRHG-130S-585A-C1 | 32.000 | | | | | | |
| SRHG-130S-635A-C1 | 32.000 | | | | | | |
| SRHG-130S-385A-C2 | 32.000 | | | | | | |
| SRHG-130S-435A-C2 | 32.000 | | | | | | |
| SRHG-130S-485A-C2 | 32.000 | | | | | | |
| SRHG-130S-535A-C2 | 32.000 | | | | | | |
| SRHG-130S-585A-C2 | 32.000 | | | | | | |
| SRHG-130S-635A-C2 | 32.000 | | | | | | |
| SRHG-130S-685A-C2 | 32.000 | | | | | | |
| SRHG-130S-485A-C5 | 32.000 | | | | | | |
| SRHG-130S-535A-C5 | 32.000 | | | | | | |
| SRHG-130S-585A-C5 | 32.000 | | | | | | |
| SRHG-130S-635A-C5 | 32.000 | | | | | | |
| SRHG-130S-685A-C5 | 32.000 | | | | | | |
| SRHG-130S-735A-C5 | 32.000 | | | | | | |
| SRHG-130S-535A-C6 | 32.000 | | | | | | |
| SRHG-130S-585A-C6 | 32.000 | | | | | | |
| SRHG-130S-635A-C6 | 32.000 | | | | | | |
| SRHG-130S-685A-C6 | 32.000 | | | | | | |
| SRHG-130S-735A-C6 | 32.000 | | | | | | |

| 型号 | 最大扭矩 Nm | 5 BAR 对称 - 常闭输出扭矩 (Nm) | | | | | |
|-------------------|---------|------------------------|--------|--------|--------|-------|--------|
| | | BTO | RTO | ETO | BTC | RTC | ETC |
| SRHG-085C-280A-C2 | 9.000 | 3.093 | 706 | 722 | 2.026 | 1.224 | 2.378 |
| SRHG-085C-335A-C2 | 9.000 | 5.492 | 1.676 | 2.051 | 2.008 | 1.211 | 2.340 |
| SRHG-085C-385A-C2 | 9.000 | 8.067 | 2.689 | 3.477 | 2.000 | 1.205 | 2.324 |
| SRHG-085C-435A-C2 | 9.000 | | | | | | |
| SRHG-085C-335A-C3 | 9.000 | | | | | | |
| SRHG-085C-385A-C3 | 9.000 | 6.668 | 1.805 | 2.044 | 3.258 | 1.953 | 3.722 |
| SRHG-085C-435A-C3 | 9.000 | | | | | | |
| SRHG-085C-335A-C5 | 9.000 | | | | | | |
| SRHG-085C-385A-C5 | 9.000 | 6.108 | 1.577 | 1.733 | 3.530 | 2.154 | 4.281 |
| SRHG-085C-435A-C5 | 9.000 | 9.049 | 2.754 | 3.363 | 3.526 | 2.151 | 4.272 |
| SRHG-085C-385A-C6 | 9.000 | | | | | | |
| SRHG-085C-435A-C6 | 9.000 | 8.183 | 2.194 | 2.469 | 4.310 | 2.617 | 5.137 |
| SRHG-100C-385A-C1 | 18.000 | 7.304 | 1.433 | 925 | 5.627 | 3.169 | 5.189 |
| SRHG-100C-435A-C1 | 18.000 | 10.692 | 2.472 | 2.545 | 5.474 | 3.110 | 5.160 |
| SRHG-100C-485A-C1 | 18.000 | 14.613 | 4.375 | 4.707 | 5.463 | 3.151 | 5.122 |
| SRHG-100C-385A-C2 | 18.000 | | | | | | |
| SRHG-100C-435A-C2 | 18.000 | 8.938 | 2.007 | 1.755 | 6.543 | 3.833 | 7.076 |
| SRHG-100C-485A-C2 | 18.000 | 12.636 | 3.283 | 3.622 | 6.403 | 3.801 | 7.070 |
| SRHG-100C-535A-C2 | 18.000 | 16.622 | 4.674 | 5.655 | 6.543 | 3.833 | 7.076 |
| SRHG-100C-585A-C2 | 18.000 | | | | | | |
| SRHG-100C-535A-C3 | 18.000 | 15.412 | 4.022 | 4.485 | 7.851 | 4.615 | 8.491 |
| SRHG-100C-585A-C3 | 18.000 | | | | | | |
| SRHG-100C-535A-C4 | 18.000 | 13.596 | 3.397 | 3.563 | 8.881 | 5.365 | 10.614 |
| SRHG-100C-585A-C4 | 18.000 | | | | | | |
| SRHG-130C-435A-C1 | 32.000 | 10.624 | 2.265 | 2.263 | 8.148 | 5.024 | 10.216 |
| SRHG-130C-485A-C1 | 32.000 | 15.750 | 4.409 | 5.102 | 8.120 | 5.004 | 10.159 |
| SRHG-130C-535A-C1 | 32.000 | 21.496 | 6.691 | 8.286 | 8.124 | 5.007 | 10.167 |
| SRHG-130C-585A-C1 | 32.000 | 27.825 | 9.180 | 11.792 | 8.138 | 5.017 | 10.196 |
| SRHG-130C-635A-C1 | 32.000 | 34.740 | 11.892 | 15.622 | 8.165 | 5.037 | 10.251 |
| SRHG-130C-385A-C2 | 32.000 | | | | | | |
| SRHG-130C-435A-C2 | 32.000 | | | | | | |
| SRHG-130C-485A-C2 | 32.000 | 14.244 | 2.894 | 2.887 | 10.064 | 6.059 | 11.664 |
| SRHG-130C-535A-C2 | 32.000 | 19.991 | 5.381 | 6.070 | 10.068 | 6.062 | 11.672 |
| SRHG-130C-585A-C2 | 32.000 | 26.320 | 7.908 | 9.576 | 10.082 | 6.073 | 11.701 |
| SRHG-130C-635A-C2 | 32.000 | 33.234 | 10.637 | 13.407 | 10.109 | 6.092 | 11.756 |
| SRHG-130C-485A-C5 | 32.000 | | | | | | |
| SRHG-130C-535A-C5 | 32.000 | 17.556 | 4.652 | 5.197 | 10.834 | 6.761 | 14.105 |
| SRHG-130C-585A-C5 | 32.000 | 23.885 | 7.183 | 8.703 | 10.849 | 6.772 | 14.134 |
| SRHG-130C-635A-C5 | 32.000 | 30.800 | 9.911 | 12.534 | 10.875 | 6.792 | 14.189 |
| SRHG-130C-685A-C5 | 32.000 | | | | | | |
| SRHG-130C-735A-C5 | 32.000 | | | | | | |
| SRHG-130C-535A-C6 | 32.000 | | | | | | |
| SRHG-130C-585A-C6 | 32.000 | 20.865 | 4.466 | 4.463 | 14.570 | 8.813 | 17.153 |
| SRHG-130C-635A-C6 | 32.000 | 27.780 | 7.400 | 8.293 | 14.596 | 8.833 | 17.207 |
| SRHG-130C-685A-C6 | 32.000 | | | | | | |
| SRHG-130C-735A-C6 | 32.000 | | | | | | |

| 型号 | 最大扭矩 Nm | 最大扭矩 (Nm) | | | | | |
|-------------------|---------|-----------|--------|--------|--------|-------|--------|
| | | BTO | RTO | ETO | BTC | RTC | ETC |
| SRHG-085S-280A-C2 | 9.000 | 1.970 | 845 | 961 | 2.357 | 1.136 | 1.498 |
| SRHG-085S-335A-C2 | 9.000 | 3.498 | 1.820 | 2.631 | 2.336 | 1.123 | 1.475 |
| SRHG-085S-385A-C2 | 9.000 | 5.137 | 2.846 | 4.423 | 2.326 | 1.116 | 1.464 |
| SRHG-085S-435A-C2 | 9.000 | 7.010 | 4.014 | 6.471 | 2.321 | 1.113 | 1.459 |
| SRHG-085S-335A-C3 | 9.000 | 2.826 | 1.120 | 1.025 | 3.797 | 1.811 | 2.356 |
| SRHG-085S-385A-C3 | 9.000 | 4.246 | 2.033 | 2.658 | 3.788 | 1.805 | 2.345 |
| SRHG-085S-435A-C3 | 9.000 | 6.120 | 3.216 | 4.705 | 3.782 | 1.801 | 2.340 |
| SRHG-085S-335A-C5 | 9.000 | 2.250 | 496 | 476 | 4.120 | 2.016 | 2.708 |
| SRHG-085S-385A-C5 | 9.000 | 3.890 | 1.805 | 2.268 | 4.110 | 2.010 | 2.698 |
| SRHG-085S-435A-C5 | 9.000 | 5.763 | 2.992 | 4.316 | 4.105 | 2.007 | 2.692 |
| SRHG-085S-385A-C6 | 9.000 | 3.338 | 1.178 | 1.167 | 5.021 | 2.438 | 3.243 |
| SRHG-085S-435A-C6 | 9.000 | 5.211 | 2.479 | 3.215 | 5.016 | 2.435 | 3.238 |
| SRHG-100S-385A-C1 | 18.000 | 4.580 | 988 | 946 | 6.342 | 2.783 | 3.259 |
| SRHG-100S-435A-C1 | 18.000 | 6.809 | 2.944 | 3.382 | 6.336 | 2.779 | 3.252 |
| SRHG-100S-485A-C1 | 18.000 | 9.292 | 4.544 | 6.096 | 6.311 | 2.762 | 3.225 |
| SRHG-100S-535A-C1 | 18.000 | 12.076 | 6.301 | 9.139 | 6.315 | 2.764 | 3.228 |
| SRHG-100S-585A-C1 | 18.000 | | | | | | |
| SRHG-100S-385A-C2 | 18.000 | | | | | | |
| SRHG-100S-435A-C2 | 18.000 | 5.564 | 2.035 | 2.021 | 7.463 | 3.508 | 4.483 |
| SRHG-100S-485A-C2 | 18.000 | 8.047 | 3.748 | 4.735 | 7.438 | 3.492 | 4.456 |
| SRHG-100S-535A-C2 | 18.000 | 10.831 | 5.517 | 7.778 | 7.441 | 3.495 | 4.460 |
| SRHG-100S-585A-C2 | 18.000 | 13.896 | 7.443 | 11.129 | 7.454 | 3.503 | 4.474 |
| SRHG-100S-535A-C3 | 18.000 | 9.932 | 4.560 | 5.695 | 9.139 | 4.386 | 5.400 |
| SRHG-100S-585A-C3 | 18.000 | 12.791 | 6.209 | 8.466 | 9.139 | 4.386 | 5.400 |
| SRHG-100S-535A-C4 | 18.000 | 8.762 | 3.885 | 4.561 | 10.363 | 5.151 | 6.750 |
| SRHG-100S-585A-C4 | 18.000 | 11.621 | 5.534 | 7.332 | 10.363 | 5.151 | 6.750 |
| SRHG-130S-435A-C1 | 32.000 | 6.766 | 2.799 | 3.041 | 9.495 | 4.712 | 6.439 |
| SRHG-130S-485A-C1 | 32.000 | 10.030 | 4.914 | 6.609 | 9.462 | 4.691 | 6.403 |
| SRHG-130S-535A-C1 | 32.000 | 13.690 | 7.222 | 10.610 | 9.466 | 4.694 | 6.407 |
| SRHG-130S-585A-C1 | 32.000 | 17.721 | 9.744 | 15.016 | 9.483 | 4.705 | 6.426 |
| SRHG-130S-635A-C1 | 32.000 | 22.125 | 12.492 | 19.829 | 9.515 | 4.725 | 6.460 |
| SRHG-130S-385A-C2 | 32.000 | | | | | | |
| SRHG-130S-435A-C2 | 32.000 | | | | | | |
| SRHG-130S-485A-C2 | 32.000 | 9.071 | 3.679 | 3.900 | 11.704 | 5.612 | 7.351 |
| SRHG-130S-535A-C2 | 32.000 | 12.731 | 6.072 | 7.901 | 11.708 | 5.615 | 7.356 |
| SRHG-130S-585A-C2 | 32.000 | 16.762 | 8.626 | 12.307 | 11.725 | 5.626 | 7.374 |
| SRHG-130S-635A-C2 | 32.000 | 21.166 | 11.389 | 17.120 | 11.757 | 5.646 | 7.409 |
| SRHG-130S-685A-C2 | 32.000 | 25.877 | 14.334 | 22.271 | 11.738 | 5.634 | 7.388 |
| SRHG-130S-485A-C5 | 32.000 | 7.521 | 2.793 | 2.777 | 12.633 | 6.374 | 8.884 |
| SRHG-130S-535A-C5 | 32.000 | 11.180 | 5.277 | 6.778 | 12.638 | 6.377 | 8.889 |
| SRHG-130S-585A-C5 | 32.000 | 15.211 | 7.832 | 11.184 | 12.655 | 6.388 | 8.908 |
| SRHG-130S-635A-C5 | 32.000 | 19.615 | 10.595 | 15.997 | 12.686 | 6.408 | 8.942 |
| SRHG-130S-685A-C5 | 32.000 | 24.327 | 13.539 | 21.147 | 12.668 | 6.396 | 8.922 |
| SRHG-130S-735A-C5 | 32.000 | 29.395 | 16.700 | 26.688 | 12.647 | 6.383 | 8.899 |
| SRHG-130S-535A-C6 | 32.000 | | | | | | |
| SRHG-130S-585A-C6 | 32.000 | 13.288 | 5.505 | 5.994 | 16.950 | 8.184 | 10.810 |
| SRHG-130S-635A-C6 | 32.000 | 17.691 | 8.379 | 10.808 | 16.982 | 8.204 | 10.845 |
| SRHG-130S-685A-C6 | 32.000 | 22.403 | 11.370 | 15.958 | 16.963 | 8.192 | 10.824 |
| SRHG-130S-735A-C6 | 32.000 | 27.472 | 14.557 | 21.498 | 16.943 | 8.179 | 10.802 |

| 型号 | 最大扭矩 Nm | 5,5 BAR 非对称 - 常闭输出扭矩 (Nm) | | | | | |
|-------------------|------------|---------------------------|--------|--------|--------|-------|--------|
| | | BTO | RTO | ETO | BTC | RTC | ETC |
| SRHG-085C-280A-C2 | 9.000 | 3.657 | 942 | 1.034 | 2.026 | 1.224 | 2.378 |
| SRHG-085C-335A-C2 | 9.000 | 6.299 | 1.995 | 2.498 | 2.008 | 1.211 | 2.340 |
| SRHG-085C-385A-C2 | 9.000 | 9.133 | 3.107 | 4.067 | 2.000 | 1.205 | 2.324 |
| SRHG-085C-435A-C2 | 9.000 | | | | | | |
| SRHG-085C-335A-C3 | 9.000 | 4.901 | 1.064 | 1.065 | 3.266 | 1.959 | 3.738 |
| SRHG-085C-385A-C3 | 9.000 | 7.734 | 2.232 | 2.634 | 3.258 | 1.953 | 3.722 |
| SRHG-085C-435A-C3 | 9.000 | | | | | | |
| SRHG-085C-335A-C5 | 9.000 | | | | | | |
| SRHG-085C-385A-C5 | 9.000 | 7.175 | 2.008 | 2.324 | 3.530 | 2.154 | 4.281 |
| SRHG-085C-435A-C5 | 9.000 | | | | | | |
| SRHG-085C-385A-C6 | 9.000 | 6.309 | 1.412 | 1.430 | 4.315 | 2.620 | 5.146 |
| SRHG-085C-435A-C6 | 9.000 | | | | | | |
| SRHG-100C-385A-C1 | 18.000 | 8.478 | 1.841 | 1.521 | 5.627 | 3.169 | 5.189 |
| SRHG-100C-435A-C1 | 18.000 | 12.312 | 3.151 | 3.443 | 5.474 | 3.110 | 5.160 |
| SRHG-100C-485A-C1 | 18.000 | 16.059 | 4.472 | 5.370 | 5.627 | 3.169 | 5.189 |
| SRHG-100C-385A-C2 | 18.000 | | | | | | |
| SRHG-100C-435A-C2 | 18.000 | 10.357 | 2.326 | 2.360 | 6.424 | 3.817 | 7.114 |
| SRHG-100C-485A-C2 | 18.000 | | | | | | |
| SRHG-100C-535A-C2 | 18.000 | | | | | | |
| SRHG-100C-585A-C2 | 18.000 | | | | | | |
| SRHG-100C-535A-C3 | 18.000 | | | | | | |
| SRHG-100C-585A-C3 | 18.000 | | | | | | |
| SRHG-100C-535A-C4 | 18.000 | 15.863 | 4.183 | 4.714 | 8.881 | 5.365 | 10.614 |
| SRHG-100C-585A-C4 | 18.000 | | | | | | |
| SRHG-130C-435A-C1 | 32.000 | 12.754 | 3.194 | 3.443 | 8.148 | 5.024 | 10.216 |
| SRHG-130C-485A-C1 | 32.000 | 18.397 | 5.465 | 6.569 | 8.120 | 5.004 | 10.159 |
| SRHG-130C-535A-C1 | 32.000 | 24.718 | 7.959 | 10.070 | 8.124 | 5.007 | 10.167 |
| SRHG-130C-585A-C1 | 32.000 | 31.677 | 10.691 | 13.925 | 8.138 | 5.017 | 10.196 |
| SRHG-130C-635A-C1 | 32.000 | | | | | | |
| SRHG-130C-385A-C2 | 32.000 | | | | | | |
| SRHG-130C-435A-C2 | 32.000 | | | | | | |
| SRHG-130C-485A-C2 | 32.000 | 16.891 | 4.109 | 4.354 | 10.064 | 6.059 | 11.664 |
| SRHG-130C-535A-C2 | 32.000 | 23.212 | 6.673 | 7.855 | 10.068 | 6.062 | 11.672 |
| SRHG-130C-585A-C2 | 32.000 | 30.171 | 9.431 | 11.710 | 10.082 | 6.073 | 11.701 |
| SRHG-130C-635A-C2 | 32.000 | | | | | | |
| SRHG-130C-485A-C5 | 32.000 | 14.457 | 3.367 | 3.480 | 10.830 | 6.758 | 14.097 |
| SRHG-130C-535A-C5 | 32.000 | 20.777 | 5.948 | 6.982 | 10.834 | 6.761 | 14.105 |
| SRHG-130C-585A-C5 | 32.000 | 27.737 | 8.705 | 10.837 | 10.849 | 6.772 | 14.134 |
| SRHG-130C-635A-C5 | 32.000 | | | | | | |
| SRHG-130C-685A-C5 | 32.000 | | | | | | |
| SRHG-130C-735A-C5 | 32.000 | | | | | | |
| SRHG-130C-535A-C6 | 32.000 | | | | | | |
| SRHG-130C-585A-C6 | 32.000 | 24.717 | 6.145 | 6.596 | 14.570 | 8.813 | 17.153 |
| SRHG-130C-635A-C6 | 32.000 | 32.318 | 9.224 | 10.807 | 14.596 | 8.833 | 17.207 |
| SRHG-130C-685A-C6 | 32.000 | | | | | | |
| SRHG-130C-735A-C6 | 32.000 | | | | | | |

| 型号 | 最大扭矩 Nm | 最大扭矩 (Nm) | | | | | |
|-------------------|---------|-----------|--------|--------|--------|-------|--------|
| | | BTO | RTO | ETO | BTC | RTC | ETC |
| SRHG-085S-280A-C2 | 9.000 | 2.329 | 1.079 | 1.354 | 2.357 | 1.136 | 1.498 |
| SRHG-085S-335A-C2 | 9.000 | 4.012 | 2.142 | 3.193 | 2.336 | 1.123 | 1.475 |
| SRHG-085S-385A-C2 | 9.000 | 5.816 | 3.270 | 5.166 | 2.326 | 1.116 | 1.464 |
| SRHG-085S-435A-C2 | 9.000 | 7.877 | 4.554 | 7.418 | 2.321 | 1.113 | 1.459 |
| SRHG-085S-335A-C3 | 9.000 | 3.121 | 1.301 | 1.428 | 3.797 | 1.811 | 2.356 |
| SRHG-085S-385A-C3 | 9.000 | 4.925 | 2.464 | 3.400 | 3.788 | 1.805 | 2.345 |
| SRHG-085S-435A-C3 | 9.000 | 6.986 | 3.760 | 5.653 | 3.782 | 1.801 | 2.340 |
| SRHG-085S-335A-C5 | 9.000 | 2.764 | 1.043 | 1.038 | 4.120 | 2.016 | 2.708 |
| SRHG-085S-385A-C5 | 9.000 | 4.569 | 2.238 | 3.010 | 4.110 | 2.010 | 2.698 |
| SRHG-085S-435A-C5 | 9.000 | 6.630 | 3.536 | 5.263 | 4.105 | 2.007 | 2.692 |
| SRHG-085S-385A-C6 | 9.000 | 4.017 | 1.703 | 1.910 | 5.021 | 2.438 | 3.243 |
| SRHG-085S-435A-C6 | 9.000 | 6.078 | 3.030 | 4.162 | 5.016 | 2.435 | 3.238 |
| SRHG-100S-385A-C1 | 18.000 | 5.388 | 1.848 | 1.829 | 6.342 | 2.783 | 3.259 |
| SRHG-100S-435A-C1 | 18.000 | 7.841 | 3.616 | 4.510 | 6.336 | 2.779 | 3.252 |
| SRHG-100S-485A-C1 | 18.000 | 10.574 | 5.355 | 7.498 | 6.311 | 2.762 | 3.225 |
| SRHG-100S-535A-C1 | 18.000 | 13.636 | 7.280 | 10.844 | 6.315 | 2.764 | 3.228 |
| SRHG-100S-585A-C1 | 18.000 | | | | | | |
| SRHG-100S-385A-C2 | 18.000 | | | | | | |
| SRHG-100S-435A-C2 | 18.000 | 6.596 | 2.802 | 3.149 | 7.463 | 3.508 | 4.483 |
| SRHG-100S-485A-C2 | 18.000 | 9.329 | 4.567 | 6.137 | 7.438 | 3.492 | 4.456 |
| SRHG-100S-535A-C2 | 18.000 | 12.391 | 6.499 | 9.484 | 7.441 | 3.495 | 4.460 |
| SRHG-100S-585A-C2 | 18.000 | 15.318 | 7.862 | 11.571 | 7.441 | 3.495 | 4.460 |
| SRHG-100S-535A-C3 | 18.000 | 11.393 | 5.403 | 7.111 | 9.139 | 4.386 | 5.400 |
| SRHG-100S-585A-C3 | 18.000 | 14.538 | 7.217 | 10.159 | 9.139 | 4.386 | 5.400 |
| SRHG-100S-535A-C4 | 18.000 | 10.223 | 4.728 | 5.977 | 10.363 | 5.151 | 6.750 |
| SRHG-100S-585A-C4 | 18.000 | 13.368 | 6.542 | 9.025 | 10.363 | 5.151 | 6.750 |
| SRHG-130S-435A-C1 | 32.000 | 8.122 | 3.693 | 4.524 | 9.495 | 4.712 | 6.439 |
| SRHG-130S-485A-C1 | 32.000 | 11.716 | 5.981 | 8.452 | 9.462 | 4.691 | 6.403 |
| SRHG-130S-535A-C1 | 32.000 | 15.742 | 8.507 | 12.852 | 9.466 | 4.694 | 6.407 |
| SRHG-130S-585A-C1 | 32.000 | 20.174 | 11.275 | 17.697 | 9.483 | 4.705 | 6.426 |
| SRHG-130S-635A-C1 | 32.000 | 25.015 | 14.293 | 22.988 | 9.515 | 4.725 | 6.460 |
| SRHG-130S-385A-C2 | 32.000 | | | | | | |
| SRHG-130S-435A-C2 | 32.000 | 7.163 | 1.867 | 1.815 | 11.737 | 5.634 | 7.387 |
| SRHG-130S-485A-C2 | 32.000 | 10.757 | 4.800 | 5.743 | 11.704 | 5.612 | 7.351 |
| SRHG-130S-535A-C2 | 32.000 | 14.783 | 7.376 | 10.143 | 11.708 | 5.615 | 7.356 |
| SRHG-130S-585A-C2 | 32.000 | 19.215 | 10.166 | 14.988 | 11.725 | 5.626 | 7.374 |
| SRHG-130S-635A-C2 | 32.000 | 24.056 | 13.196 | 20.280 | 11.757 | 5.646 | 7.409 |
| SRHG-130S-685A-C2 | 32.000 | 29.241 | 16.432 | 25.947 | 11.738 | 5.634 | 7.388 |
| SRHG-130S-485A-C5 | 32.000 | 9.207 | 3.998 | 4.620 | 12.633 | 6.374 | 8.884 |
| SRHG-130S-535A-C5 | 32.000 | 13.232 | 6.583 | 9.020 | 12.638 | 6.377 | 8.889 |
| SRHG-130S-585A-C5 | 32.000 | 17.664 | 9.373 | 13.865 | 12.655 | 6.388 | 8.908 |
| SRHG-130S-635A-C5 | 32.000 | 22.505 | 12.402 | 19.156 | 12.686 | 6.408 | 8.942 |
| SRHG-130S-685A-C5 | 32.000 | 27.690 | 15.637 | 24.824 | 12.668 | 6.396 | 8.922 |
| SRHG-130S-735A-C5 | 32.000 | 33.268 | 19.111 | 30.920 | 12.647 | 6.383 | 8.899 |
| SRHG-130S-535A-C6 | 32.000 | 11.308 | 3.871 | 3.831 | 16.933 | 8.173 | 10.792 |
| SRHG-130S-585A-C6 | 32.000 | 15.741 | 7.123 | 8.676 | 16.950 | 8.184 | 10.810 |
| SRHG-130S-635A-C6 | 32.000 | 20.582 | 10.219 | 13.967 | 16.982 | 8.204 | 10.845 |
| SRHG-130S-685A-C6 | 32.000 | 25.766 | 13.487 | 19.634 | 16.963 | 8.192 | 10.824 |
| SRHG-130S-735A-C6 | 32.000 | 31.344 | 16.982 | 25.731 | 16.943 | 8.179 | 10.802 |

| 型号 | 最大扭矩 Nm | 6 BAR 非对称 - 常闭输出扭矩 (Nm) | | | | | |
|-------------------|------------|-------------------------|--------|--------|--------|-------|--------|
| | | BTO | RTO | ETO | BTC | RTC | ETC |
| SRHG-085C-280A-C2 | 9.000 | 4.221 | 1.171 | 1.347 | 2.026 | 1.224 | 2.378 |
| SRHG-085C-335A-C2 | 9.000 | 7.107 | 2.312 | 2.945 | 2.008 | 1.211 | 2.340 |
| SRHG-085C-385A-C2 | 9.000 | | | | | | |
| SRHG-085C-435A-C2 | 9.000 | | | | | | |
| SRHG-085C-335A-C3 | 9.000 | 5.708 | 1.412 | 1.512 | 3.266 | 1.959 | 3.738 |
| SRHG-085C-385A-C3 | 9.000 | 8.801 | 2.656 | 3.225 | 3.258 | 1.953 | 3.722 |
| SRHG-085C-435A-C3 | 9.000 | | | | | | |
| SRHG-085C-335A-C5 | 9.000 | 5.148 | 1.175 | 1.202 | 3.538 | 2.160 | 4.298 |
| SRHG-085C-385A-C5 | 9.000 | 8.241 | 2.434 | 2.915 | 3.530 | 2.154 | 4.281 |
| SRHG-085C-435A-C5 | 9.000 | | | | | | |
| SRHG-085C-385A-C6 | 9.000 | 7.375 | 1.864 | 2.021 | 4.315 | 2.620 | 5.146 |
| SRHG-085C-435A-C6 | 9.000 | | | | | | |
| SRHG-100C-385A-C1 | 18.000 | 9.730 | 2.016 | 2.012 | 5.479 | 3.114 | 5.171 |
| SRHG-100C-435A-C1 | 18.000 | 13.932 | 3.809 | 4.340 | 5.474 | 3.110 | 5.160 |
| SRHG-100C-485A-C1 | 18.000 | | | | | | |
| SRHG-100C-385A-C2 | 18.000 | 8.038 | 1.695 | 1.298 | 6.543 | 3.833 | 7.076 |
| SRHG-100C-435A-C2 | 18.000 | 11.977 | 3.013 | 3.257 | 6.424 | 3.817 | 7.114 |
| SRHG-100C-485A-C2 | 18.000 | | | | | | |
| SRHG-100C-535A-C2 | 18.000 | | | | | | |
| SRHG-100C-585A-C2 | 18.000 | | | | | | |
| SRHG-100C-535A-C3 | 18.000 | | | | | | |
| SRHG-100C-585A-C3 | 18.000 | | | | | | |
| SRHG-100C-535A-C4 | 18.000 | | | | | | |
| SRHG-100C-585A-C4 | 18.000 | | | | | | |
| SRHG-130C-435A-C1 | 32.000 | 14.884 | 4.061 | 4.623 | 8.148 | 5.024 | 10.216 |
| SRHG-130C-485A-C1 | 32.000 | 21.044 | 6.512 | 8.035 | 8.120 | 5.004 | 10.159 |
| SRHG-130C-535A-C1 | 32.000 | 27.939 | 9.225 | 11.854 | 8.124 | 5.007 | 10.167 |
| SRHG-130C-585A-C1 | 32.000 | | | | | | |
| SRHG-130C-635A-C1 | 32.000 | | | | | | |
| SRHG-130C-385A-C2 | 32.000 | | | | | | |
| SRHG-130C-435A-C2 | 32.000 | | | | | | |
| SRHG-130C-485A-C2 | 32.000 | 19.539 | 5.198 | 5.820 | 10.064 | 6.059 | 11.664 |
| SRHG-130C-535A-C2 | 32.000 | 26.433 | 7.953 | 9.639 | 10.068 | 6.062 | 11.672 |
| SRHG-130C-585A-C2 | 32.000 | 34.023 | 10.947 | 13.843 | 10.082 | 6.073 | 11.701 |
| SRHG-130C-635A-C2 | 32.000 | | | | | | |
| SRHG-130C-485A-C5 | 32.000 | 17.104 | 4.469 | 4.947 | 10.830 | 6.758 | 14.097 |
| SRHG-130C-535A-C5 | 32.000 | 23.999 | 7.228 | 8.766 | 10.834 | 6.761 | 14.105 |
| SRHG-130C-585A-C5 | 32.000 | 31.588 | 10.221 | 12.970 | 10.849 | 6.772 | 14.134 |
| SRHG-130C-635A-C5 | 32.000 | | | | | | |
| SRHG-130C-685A-C5 | 32.000 | | | | | | |
| SRHG-130C-735A-C5 | 32.000 | | | | | | |
| SRHG-130C-535A-C6 | 32.000 | 20.979 | 4.528 | 4.526 | 14.556 | 8.803 | 17.123 |
| SRHG-130C-585A-C6 | 32.000 | 28.568 | 7.719 | 8.730 | 14.570 | 8.813 | 17.153 |
| SRHG-130C-635A-C6 | 32.000 | | | | | | |
| SRHG-130C-685A-C6 | 32.000 | | | | | | |
| SRHG-130C-735A-C6 | 32.000 | | | | | | |

| 型号 | 最大扭矩 Nm | 最大扭矩 (Nm) | | | | | |
|-------------------|------------|-----------|--------|--------|--------|-------|--------|
| | | BTO | RTO | ETO | BTC | RTC | ETC |
| SRHG-085S-280A-C2 | 9.000 | 2.688 | 1.308 | 1.746 | 2.357 | 1.136 | 1.498 |
| SRHG-085S-335A-C2 | 9.000 | 4.526 | 2.464 | 3.755 | 2.336 | 1.123 | 1.475 |
| SRHG-085S-385A-C2 | 9.000 | 6.495 | 3.693 | 5.908 | 2.326 | 1.116 | 1.464 |
| SRHG-085S-435A-C2 | 9.000 | 8.744 | 5.093 | 8.366 | 2.321 | 1.113 | 1.459 |
| SRHG-085S-335A-C3 | 9.000 | 3.635 | 1.640 | 1.990 | 3.797 | 1.811 | 2.356 |
| SRHG-085S-385A-C3 | 9.000 | 5.605 | 2.893 | 4.142 | 3.788 | 1.805 | 2.345 |
| SRHG-085S-435A-C3 | 9.000 | 7.853 | 4.302 | 6.600 | 3.782 | 1.801 | 2.340 |
| SRHG-085S-335A-C5 | 9.000 | 3.278 | 1.406 | 1.600 | 4.120 | 2.016 | 2.708 |
| SRHG-085S-385A-C5 | 9.000 | 5.248 | 2.668 | 3.753 | 4.110 | 2.010 | 2.698 |
| SRHG-085S-435A-C5 | 9.000 | 7.497 | 4.079 | 6.211 | 4.105 | 2.007 | 2.692 |
| SRHG-085S-385A-C6 | 9.000 | 4.696 | 2.148 | 2.652 | 5.021 | 2.438 | 3.243 |
| SRHG-085S-435A-C6 | 9.000 | 6.945 | 3.577 | 5.110 | 5.016 | 2.435 | 3.238 |
| SRHG-100S-385A-C1 | 18.000 | 6.196 | 2.533 | 2.713 | 6.342 | 2.783 | 3.259 |
| SRHG-100S-435A-C1 | 18.000 | 8.872 | 4.277 | 5.638 | 6.336 | 2.779 | 3.252 |
| SRHG-100S-485A-C1 | 18.000 | 11.857 | 6.163 | 8.899 | 6.311 | 2.762 | 3.225 |
| SRHG-100S-535A-C1 | 18.000 | | | | | | |
| SRHG-100S-585A-C1 | 18.000 | | | | | | |
| SRHG-100S-385A-C2 | 18.000 | 4.951 | 1.383 | 1.352 | 7.469 | 3.512 | 4.490 |
| SRHG-100S-435A-C2 | 18.000 | 7.627 | 3.478 | 4.277 | 7.463 | 3.508 | 4.483 |
| SRHG-100S-485A-C2 | 18.000 | 10.612 | 5.379 | 7.539 | 7.438 | 3.492 | 4.456 |
| SRHG-100S-535A-C2 | 18.000 | 13.951 | 7.477 | 11.189 | 7.441 | 3.495 | 4.460 |
| SRHG-100S-585A-C2 | 18.000 | 17.065 | 8.870 | 13.264 | 7.441 | 3.495 | 4.460 |
| SRHG-100S-535A-C3 | 18.000 | 12.854 | 6.246 | 8.528 | 9.139 | 4.386 | 5.400 |
| SRHG-100S-585A-C3 | 18.000 | 16.285 | 8.225 | 11.853 | 9.139 | 4.386 | 5.400 |
| SRHG-100S-535A-C4 | 18.000 | 11.684 | 5.571 | 7.394 | 10.363 | 5.151 | 6.750 |
| SRHG-100S-585A-C4 | 18.000 | 15.115 | 7.550 | 10.719 | 10.363 | 5.151 | 6.750 |
| SRHG-130S-435A-C1 | 32.000 | 9.478 | 4.563 | 6.006 | 9.495 | 4.712 | 6.439 |
| SRHG-130S-485A-C1 | 32.000 | 13.402 | 7.041 | 10.295 | 9.462 | 4.691 | 6.403 |
| SRHG-130S-535A-C1 | 32.000 | 17.793 | 9.790 | 15.095 | 9.466 | 4.694 | 6.407 |
| SRHG-130S-585A-C1 | 32.000 | 22.627 | 12.805 | 20.378 | 9.483 | 4.705 | 6.426 |
| SRHG-130S-635A-C1 | 32.000 | 27.905 | 16.093 | 26.148 | 9.515 | 4.725 | 6.460 |
| SRHG-130S-385A-C2 | 32.000 | | | | | | |
| SRHG-130S-435A-C2 | 32.000 | 8.520 | 3.292 | 3.297 | 11.737 | 5.634 | 7.387 |
| SRHG-130S-485A-C2 | 32.000 | 12.443 | 5.888 | 7.586 | 11.704 | 5.612 | 7.351 |
| SRHG-130S-535A-C2 | 32.000 | 16.834 | 8.671 | 12.386 | 11.708 | 5.615 | 7.356 |
| SRHG-130S-585A-C2 | 32.000 | 21.668 | 11.703 | 17.669 | 11.725 | 5.626 | 7.374 |
| SRHG-130S-635A-C2 | 32.000 | 26.946 | 15.001 | 23.439 | 11.757 | 5.646 | 7.409 |
| SRHG-130S-685A-C2 | 32.000 | 32.604 | 18.529 | 29.623 | 11.738 | 5.634 | 7.388 |
| SRHG-130S-485A-C5 | 32.000 | 10.893 | 5.093 | 6.463 | 12.633 | 6.374 | 8.884 |
| SRHG-130S-535A-C5 | 32.000 | 15.284 | 7.878 | 11.263 | 12.638 | 6.377 | 8.889 |
| SRHG-130S-585A-C5 | 32.000 | 20.117 | 10.909 | 16.546 | 12.655 | 6.388 | 8.908 |
| SRHG-130S-635A-C5 | 32.000 | 25.395 | 14.205 | 22.315 | 12.686 | 6.408 | 8.942 |
| SRHG-130S-685A-C5 | 32.000 | 31.053 | 17.732 | 28.500 | 12.668 | 6.396 | 8.922 |
| SRHG-130S-735A-C5 | 32.000 | | | | | | |
| SRHG-130S-535A-C6 | 32.000 | 13.360 | 5.554 | 6.073 | 16.933 | 8.173 | 10.792 |
| SRHG-130S-585A-C6 | 32.000 | 18.194 | 8.701 | 11.357 | 16.950 | 8.184 | 10.810 |
| SRHG-130S-635A-C6 | 32.000 | 23.472 | 12.044 | 17.126 | 16.982 | 8.204 | 10.845 |
| SRHG-130S-685A-C6 | 32.000 | 29.130 | 15.596 | 23.311 | 16.963 | 8.192 | 10.824 |
| SRHG-130S-735A-C6 | 32.000 | | | | | | |

| 型号 | 最大扭矩 Nm | 7 BAR 非对称 - 常闭输出扭矩 (Nm) | | | | | |
|-------------------|------------|-------------------------|--------|--------|--------|-------|--------|
| | | BTO | RTO | ETO | BTC | RTC | ETC |
| SRHG-085C-280A-C2 | 9.000 | 5.349 | 1.620 | 1.971 | 2.026 | 1.224 | 2.378 |
| SRHG-085C-335A-C2 | 9.000 | 8.721 | 2.946 | 3.839 | 2.008 | 1.211 | 2.340 |
| SRHG-085C-385A-C2 | 9.000 | | | | | | |
| SRHG-085C-435A-C2 | 9.000 | | | | | | |
| SRHG-085C-335A-C3 | 9.000 | 7.323 | 2.068 | 2.406 | 3.266 | 1.959 | 3.738 |
| SRHG-085C-385A-C3 | 9.000 | | | | | | |
| SRHG-085C-435A-C3 | 9.000 | | | | | | |
| SRHG-085C-335A-C5 | 9.000 | 6.763 | 1.843 | 2.096 | 3.538 | 2.160 | 4.298 |
| SRHG-085C-385A-C5 | 9.000 | | | | | | |
| SRHG-085C-435A-C5 | 9.000 | | | | | | |
| SRHG-085C-385A-C6 | 9.000 | | | | | | |
| SRHG-085C-435A-C6 | 9.000 | | | | | | |
| SRHG-100C-385A-C1 | 18.000 | 12.268 | 3.132 | 3.418 | 5.479 | 3.114 | 5.171 |
| SRHG-100C-435A-C1 | 18.000 | | | | | | |
| SRHG-100C-485A-C1 | 18.000 | | | | | | |
| SRHG-100C-385A-C2 | 18.000 | 10.313 | 2.306 | 2.335 | 6.429 | 3.821 | 7.125 |
| SRHG-100C-435A-C2 | 18.000 | | | | | | |
| SRHG-100C-485A-C2 | 18.000 | | | | | | |
| SRHG-100C-535A-C2 | 18.000 | | | | | | |
| SRHG-100C-585A-C2 | 18.000 | | | | | | |
| SRHG-100C-535A-C3 | 18.000 | | | | | | |
| SRHG-100C-585A-C3 | 18.000 | | | | | | |
| SRHG-100C-535A-C4 | 18.000 | | | | | | |
| SRHG-100C-585A-C4 | 18.000 | | | | | | |
| SRHG-130C-435A-C1 | 32.000 | 19.143 | 5.760 | 6.982 | 8.148 | 5.024 | 10.216 |
| SRHG-130C-485A-C1 | 32.000 | 26.339 | 8.597 | 10.968 | 8.120 | 5.004 | 10.159 |
| SRHG-130C-535A-C1 | 32.000 | 34.381 | 11.751 | 15.423 | 8.124 | 5.007 | 10.167 |
| SRHG-130C-585A-C1 | 32.000 | | | | | | |
| SRHG-130C-635A-C1 | 32.000 | | | | | | |
| SRHG-130C-385A-C2 | 32.000 | | | | | | |
| SRHG-130C-435A-C2 | 32.000 | 17.637 | 4.420 | 4.767 | 10.092 | 6.080 | 11.721 |
| SRHG-130C-485A-C2 | 32.000 | 24.833 | 7.318 | 8.753 | 10.064 | 6.059 | 11.664 |
| SRHG-130C-535A-C2 | 32.000 | 32.876 | 10.496 | 13.208 | 10.068 | 6.062 | 11.672 |
| SRHG-130C-585A-C2 | 32.000 | | | | | | |
| SRHG-130C-635A-C2 | 32.000 | | | | | | |
| SRHG-130C-485A-C5 | 32.000 | 22.399 | 6.593 | 7.880 | 10.830 | 6.758 | 14.097 |
| SRHG-130C-535A-C5 | 32.000 | 30.441 | 9.770 | 12.335 | 10.834 | 6.761 | 14.105 |
| SRHG-130C-585A-C5 | 32.000 | | | | | | |
| SRHG-130C-635A-C5 | 32.000 | | | | | | |
| SRHG-130C-685A-C5 | 32.000 | | | | | | |
| SRHG-130C-735A-C5 | 32.000 | | | | | | |
| SRHG-130C-535A-C6 | 32.000 | 27.421 | 7.254 | 8.095 | 14.556 | 8.803 | 17.123 |
| SRHG-130C-585A-C6 | 32.000 | | | | | | |
| SRHG-130C-635A-C6 | 32.000 | | | | | | |
| SRHG-130C-685A-C6 | 32.000 | | | | | | |
| SRHG-130C-735A-C6 | 32.000 | | | | | | |

| 型号 | 最大扭矩 Nm | 最大扭矩 (Nm) | | | | | |
|-------------------|------------|-----------|--------|--------|--------|-------|--------|
| | | BTO | RTO | ETO | BTC | RTC | ETC |
| SRHG-085S-280A-C2 | 9.000 | 3.406 | 1.762 | 2.531 | 2.357 | 1.136 | 1.498 |
| SRHG-085S-335A-C2 | 9.000 | 5.554 | 3.106 | 4.879 | 2.336 | 1.123 | 1.475 |
| SRHG-085S-385A-C2 | 9.000 | 7.854 | 4.539 | 7.392 | 2.326 | 1.116 | 1.464 |
| SRHG-085S-435A-C2 | 9.000 | | | | | | |
| SRHG-085S-335A-C3 | 9.000 | 4.663 | 2.298 | 3.114 | 3.797 | 1.811 | 2.356 |
| SRHG-085S-385A-C3 | 9.000 | 6.963 | 3.745 | 5.627 | 3.788 | 1.805 | 2.345 |
| SRHG-085S-435A-C3 | 9.000 | 9.587 | 5.384 | 8.496 | 3.782 | 1.801 | 2.340 |
| SRHG-085S-335A-C5 | 9.000 | 4.307 | 2.072 | 2.724 | 4.120 | 2.016 | 2.708 |
| SRHG-085S-385A-C5 | 9.000 | 6.606 | 3.521 | 5.237 | 4.110 | 2.010 | 2.698 |
| SRHG-085S-435A-C5 | 9.000 | 9.230 | 5.162 | 8.106 | 4.105 | 2.007 | 2.692 |
| SRHG-085S-385A-C6 | 9.000 | 6.055 | 3.015 | 4.136 | 5.021 | 2.438 | 3.243 |
| SRHG-085S-435A-C6 | 9.000 | 8.679 | 4.665 | 7.005 | 5.016 | 2.435 | 3.238 |
| SRHG-100S-385A-C1 | 18.000 | 7.813 | 3.598 | 4.479 | 6.342 | 2.783 | 3.259 |
| SRHG-100S-435A-C1 | 18.000 | 10.936 | 5.583 | 7.893 | 6.336 | 2.779 | 3.252 |
| SRHG-100S-485A-C1 | 18.000 | | | | | | |
| SRHG-100S-535A-C1 | 18.000 | | | | | | |
| SRHG-100S-585A-C1 | 18.000 | | | | | | |
| SRHG-100S-385A-C2 | 18.000 | 6.567 | 2.783 | 3.118 | 7.469 | 3.512 | 4.490 |
| SRHG-100S-435A-C2 | 18.000 | 9.690 | 4.796 | 6.532 | 7.463 | 3.508 | 4.483 |
| SRHG-100S-485A-C2 | 18.000 | 13.176 | 6.991 | 10.342 | 7.438 | 3.492 | 4.456 |
| SRHG-100S-535A-C2 | 18.000 | 16.557 | 8.577 | 12.771 | 7.438 | 3.492 | 4.456 |
| SRHG-100S-585A-C2 | 18.000 | | | | | | |
| SRHG-100S-535A-C3 | 18.000 | 15.777 | 7.932 | 11.360 | 9.139 | 4.386 | 5.400 |
| SRHG-100S-585A-C3 | 18.000 | | | | | | |
| SRHG-100S-535A-C4 | 18.000 | 14.607 | 7.257 | 10.226 | 10.363 | 5.151 | 6.750 |
| SRHG-100S-585A-C4 | 18.000 | | | | | | |
| SRHG-130S-435A-C1 | 32.000 | 12.191 | 6.280 | 8.971 | 9.495 | 4.712 | 6.439 |
| SRHG-130S-485A-C1 | 32.000 | 16.774 | 9.153 | 13.981 | 9.462 | 4.691 | 6.403 |
| SRHG-130S-535A-C1 | 32.000 | 21.896 | 12.350 | 19.580 | 9.466 | 4.694 | 6.407 |
| SRHG-130S-585A-C1 | 32.000 | 27.533 | 15.861 | 25.740 | 9.483 | 4.705 | 6.426 |
| SRHG-130S-635A-C1 | 32.000 | 33.685 | 19.691 | 32.466 | 9.515 | 4.725 | 6.460 |
| SRHG-130S-385A-C2 | 32.000 | 7.126 | 1.827 | 1.774 | 11.745 | 5.639 | 7.396 |
| SRHG-130S-435A-C2 | 32.000 | 11.232 | 5.109 | 6.262 | 11.737 | 5.634 | 7.387 |
| SRHG-130S-485A-C2 | 32.000 | 15.815 | 8.028 | 11.272 | 11.704 | 5.612 | 7.351 |
| SRHG-130S-535A-C2 | 32.000 | 20.937 | 11.246 | 16.871 | 11.708 | 5.615 | 7.356 |
| SRHG-130S-585A-C2 | 32.000 | 26.574 | 14.768 | 23.032 | 11.725 | 5.626 | 7.374 |
| SRHG-130S-635A-C2 | 32.000 | 32.726 | 18.605 | 29.757 | 11.757 | 5.646 | 7.409 |
| SRHG-130S-685A-C2 | 32.000 | 39.330 | 22.718 | 36.975 | 11.738 | 5.634 | 7.388 |
| SRHG-130S-485A-C5 | 32.000 | 14.265 | 7.235 | 10.149 | 12.633 | 6.374 | 8.884 |
| SRHG-130S-535A-C5 | 32.000 | 19.387 | 10.452 | 15.748 | 12.638 | 6.377 | 8.889 |
| SRHG-130S-585A-C5 | 32.000 | 25.023 | 13.973 | 21.908 | 12.655 | 6.388 | 8.908 |
| SRHG-130S-635A-C5 | 32.000 | 31.176 | 17.808 | 28.634 | 12.686 | 6.408 | 8.942 |
| SRHG-130S-685A-C5 | 32.000 | | | | | | |
| SRHG-130S-735A-C5 | 32.000 | | | | | | |
| SRHG-130S-535A-C6 | 32.000 | 17.463 | 8.233 | 10.558 | 16.933 | 8.173 | 10.792 |
| SRHG-130S-585A-C6 | 32.000 | 23.099 | 11.809 | 16.719 | 16.950 | 8.184 | 10.810 |
| SRHG-130S-635A-C6 | 32.000 | 29.252 | 15.673 | 23.444 | 16.982 | 8.204 | 10.845 |
| SRHG-130S-685A-C6 | 32.000 | | | | | | |
| SRHG-130S-735A-C6 | 32.000 | | | | | | |

| 型号 | 最大扭矩 Nm | 8,5 BAR 对称 - 常闭输出扭矩(Nm) | | | | | |
|-------------------|---------|-------------------------|--------|--------|--------|-------|--------|
| | | BTO | RTO | ETO | BTC | RTC | ETC |
| SRHG-085C-280A-C2 | 9.000 | 7.041 | 2.287 | 2.909 | 2.026 | 1.224 | 2.378 |
| SRHG-085C-335A-C2 | 9.000 | | | | | | |
| SRHG-085C-385A-C2 | 9.000 | | | | | | |
| SRHG-085C-435A-C2 | 9.000 | | | | | | |
| SRHG-085C-335A-C3 | 9.000 | | | | | | |
| SRHG-085C-385A-C3 | 9.000 | | | | | | |
| SRHG-085C-435A-C3 | 9.000 | | | | | | |
| SRHG-085C-335A-C5 | 9.000 | | | | | | |
| SRHG-085C-385A-C5 | 9.000 | | | | | | |
| SRHG-085C-435A-C5 | 9.000 | | | | | | |
| SRHG-085C-385A-C6 | 9.000 | | | | | | |
| SRHG-085C-435A-C6 | 9.000 | | | | | | |
| SRHG-100C-385A-C1 | 18.000 | | | | | | |
| SRHG-100C-435A-C1 | 18.000 | | | | | | |
| SRHG-100C-485A-C1 | 18.000 | | | | | | |
| SRHG-100C-385A-C2 | 18.000 | | | | | | |
| SRHG-100C-435A-C2 | 18.000 | | | | | | |
| SRHG-100C-485A-C2 | 18.000 | | | | | | |
| SRHG-100C-535A-C2 | 18.000 | | | | | | |
| SRHG-100C-585A-C2 | 18.000 | | | | | | |
| SRHG-100C-535A-C3 | 18.000 | | | | | | |
| SRHG-100C-585A-C3 | 18.000 | | | | | | |
| SRHG-100C-535A-C4 | 18.000 | | | | | | |
| SRHG-100C-585A-C4 | 18.000 | | | | | | |
| SRHG-130C-435A-C1 | 32.000 | 25.531 | 8.280 | 10.521 | 8.148 | 5.024 | 10.216 |
| SRHG-130C-485A-C1 | 32.000 | 34.281 | 11.712 | 15.367 | 8.120 | 5.004 | 10.159 |
| SRHG-130C-535A-C1 | 32.000 | | | | | | |
| SRHG-130C-585A-C1 | 32.000 | | | | | | |
| SRHG-130C-635A-C1 | 32.000 | | | | | | |
| SRHG-130C-385A-C2 | 32.000 | 16.195 | 3.815 | 3.968 | 10.099 | 6.085 | 11.735 |

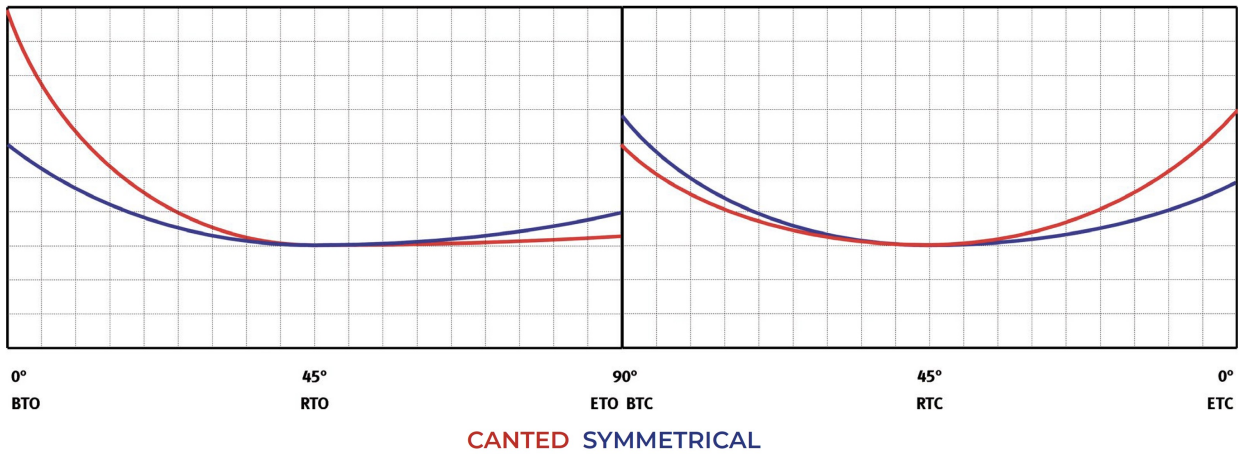
| | | | | | | | |
|-------------------|--------|--------|--------|--------|--------|-------|--------|
| C2 | 32.000 | 24.026 | 6.997 | 8.306 | 10.092 | 6.080 | 11.721 |
| SRHG-130C-485A-C2 | 32.000 | 32.775 | 10.456 | 13.152 | 10.064 | 6.059 | 11.664 |
| SRHG-130C-535A-C2 | 32.000 | | | | | | |
| SRHG-130C-585A-C2 | 32.000 | | | | | | |
| SRHG-130C-635A-C2 | 32.000 | | | | | | |
| SRHG-130C-485A-C5 | 32.000 | 30.340 | 9.730 | 12.279 | 10.830 | 6.758 | 14.097 |
| SRHG-130C-535A-C5 | 32.000 | | | | | | |
| SRHG-130C-585A-C5 | 32.000 | | | | | | |
| SRHG-130C-635A-C5 | 32.000 | | | | | | |
| SRHG-130C-685A-C5 | 32.000 | | | | | | |
| SRHG-130C-735A-C5 | 32.000 | | | | | | |
| SRHG-130C-535A-C6 | 32.000 | | | | | | |
| SRHG-130C-585A-C6 | 32.000 | | | | | | |
| SRHG-130C-635A-C6 | 32.000 | | | | | | |
| SRHG-130C-685A-C6 | 32.000 | | | | | | |
| SRHG-130C-735A-C6 | 32.000 | | | | | | |

| 型号 | 最大扭矩 Nm | 8,5 对称 - 常闭输出扭矩 (Nm) | | | | | |
|-------------------|---------|----------------------|-------|-------|-------|-------|-------|
| | | BTO | RTO | ETO | BTC | RTC | ETC |
| SRHG-085S-280A-C2 | 9.000 | 4.484 | 2.438 | 3.709 | 2.357 | 1.136 | 1.498 |
| SRHG-085S-335A-C2 | 9.000 | 7.096 | 4.067 | 6.565 | 2.336 | 1.123 | 1.475 |
| SRHG-085S-385A-C2 | 9.000 | 9.891 | 5.807 | 9.619 | 2.326 | 1.116 | 1.464 |
| SRHG-085S-435A-C2 | 9.000 | | | | | | |
| SRHG-085S-335A-C3 | 9.000 | 6.206 | 3.270 | 4.799 | 3.797 | 1.811 | 2.356 |
| SRHG-085S-385A-C3 | 9.000 | 9.000 | 5.018 | 7.854 | 3.788 | 1.805 | 2.345 |
| SRHG-085S-435A-C3 | 9.000 | | | | | | |
| SRHG-085S-335A-C5 | 9.000 | 5.849 | 3.046 | 4.410 | 4.120 | 2.016 | 2.708 |
| SRHG-085S-385A-C5 | 9.000 | 8.643 | 4.795 | 7.464 | 4.110 | 2.010 | 2.698 |
| SRHG-085S-435A-C5 | 9.000 | | | | | | |
| SRHG-085S-385A-C6 | 9.000 | 8.092 | 4.297 | 6.363 | 5.021 | 2.438 | 3.243 |
| SRHG-085S-435A-C6 | 9.000 | | | | | | |
| SRHG-100S-385A-C1 | 18.000 | 10.237 | 5.142 | 7.129 | 6.342 | 2.783 | 3.259 |
| SRHG-100S-435A-C1 | 18.000 | | | | | | |

| | | | | | | | |
|-------------------|--------|--------|--------|--------|--------|-------|-------|
| SRHG-100S-485A-C1 | 18.000 | | | | | | |
| SRHG-100S-535A-C1 | 18.000 | | | | | | |
| SRHG-100S-585A-C1 | 18.000 | | | | | | |
| SRHG-100S-385A-C2 | 18.000 | 8.992 | 4.353 | 5.768 | 7.469 | 3.512 | 4.490 |
| SRHG-100S-435A-C2 | 18.000 | 12.785 | 6.746 | 9.915 | 7.463 | 3.508 | 4.483 |
| SRHG-100S-485A-C2 | 18.000 | 16.514 | 8.553 | 12.730 | 7.463 | 3.508 | 4.483 |
| SRHG-100S-535A-C2 | 18.000 | | | | | | |
| SRHG-100S-585A-C2 | 18.000 | | | | | | |
| SRHG-100S-535A-C3 | 18.000 | | | | | | |
| SRHG-100S-585A-C3 | 18.000 | | | | | | |
| SRHG-100S-535A-C4 | 18.000 | | | | | | |
| SRHG-100S-585A-C4 | 18.000 | | | | | | |
| SRHG-130S-435A-C1 | 32.000 | 16.260 | 8.831 | 13.419 | 9.495 | 4.712 | 6.439 |
| SRHG-130S-485A-C1 | 32.000 | 21.832 | 12.310 | 19.509 | 9.462 | 4.691 | 6.403 |
| SRHG-130S-535A-C1 | 32.000 | 28.051 | 16.184 | 26.307 | 9.466 | 4.694 | 6.407 |
| SRHG-130S-585A-C1 | 32.000 | 34.891 | 20.441 | 33.784 | 9.483 | 4.705 | 6.426 |
| SRHG-130S-635A-C1 | 32.000 | | | | | | |
| SRHG-130S-385A-C2 | 32.000 | 10.313 | 4.510 | 5.258 | 11.745 | 5.639 | 7.396 |
| SRHG-130S-435A-C2 | 32.000 | 15.301 | 7.704 | 10.710 | 11.737 | 5.634 | 7.387 |
| SRHG-130S-485A-C2 | 32.000 | 20.873 | 11.206 | 16.801 | 11.704 | 5.612 | 7.351 |
| SRHG-130S-535A-C2 | 32.000 | 27.092 | 15.092 | 23.598 | 11.708 | 5.615 | 7.356 |
| SRHG-130S-585A-C2 | 32.000 | 33.932 | 19.356 | 31.075 | 11.725 | 5.626 | 7.374 |
| SRHG-130S-635A-C2 | 32.000 | | | | | | |
| SRHG-130S-685A-C2 | 32.000 | 49.420 | 28.997 | 48.004 | 11.738 | 5.634 | 7.388 |
| SRHG-130S-485A-C5 | 32.000 | 19.323 | 10.412 | 15.677 | 12.633 | 6.374 | 8.884 |
| SRHG-130S-535A-C5 | 32.000 | 25.541 | 14.296 | 22.475 | 12.638 | 6.377 | 8.889 |
| SRHG-130S-585A-C5 | 32.000 | 32.382 | 18.559 | 29.952 | 12.655 | 6.388 | 8.908 |
| SRHG-130S-635A-C5 | 32.000 | | | | | | |
| SRHG-130S-685A-C5 | 32.000 | | | | | | |

| | | | | | | | |
|-------------------|--------|--------|--------|--------|--------|-------|--------|
| C5 | 32.000 | | | | | | |
| SRHG-130S-535A-C6 | 32.000 | 23.618 | 12.136 | 17.286 | 16.933 | 8.173 | 10.792 |
| SRHG-130S-585A-C6 | 32.000 | 30.458 | 16.429 | 24.763 | 16.950 | 8.184 | 10.810 |
| SRHG-130S-635A-C6 | 32.000 | | | | | | |
| SRHG-130S-685A-C6 | 32.000 | | | | | | |
| SRHG-130S-735A-C6 | 32.000 | | | | | | |

单效常开 - 扭矩图表 (启动扭矩)



| 型号 | 最大扭矩 Nm | 最大扭矩 (Nm) | | | | | |
|-------------------|------------|-----------|-------|-------|--------|-------|--------|
| | | BTO | RTO | ETO | BTC | RTC | ETC |
| SRHG-085C-280A-O2 | 9.000 | | | | | | |
| SRHG-085C-335A-O2 | 9.000 | 3.852 | 1.021 | 1.137 | 1.255 | 530 | 509 |
| SRHG-085C-385A-O2 | 9.000 | 3.836 | 1.015 | 1.129 | 2.107 | 1.207 | 2.158 |
| SRHG-085C-435A-O2 | 9.000 | 3.828 | 1.012 | 1.125 | 3.083 | 1.903 | 4.046 |
| SRHG-085C-385A-O3 | 9.000 | | | | | | |
| SRHG-085C-435A-O3 | 9.000 | 6.243 | 1.633 | 1.805 | 2.307 | 1.125 | 1.271 |
| SRHG-085C-335A-O5 | 9.000 | | | | | | |
| SRHG-085C-385A-O5 | 9.000 | | | | | | |
| SRHG-085C-435A-O5 | 9.000 | 6.765 | 1.839 | 2.078 | 1.997 | 715 | 672 |
| SRHG-085C-385A-O6 | 9.000 | | | | | | |
| SRHG-085C-435A-O6 | 9.000 | | | | | | |
| SRHG-085C-485A-O6 | 9.000 | 8.236 | 2.211 | 2.481 | 2.599 | 1.078 | 1.034 |
| SRHG-100C-385A-O1 | 18.000 | | | | | | |
| SRHG-100C-435A-O1 | 18.000 | | | | | | |
| SRHG-100C-485A-O1 | 18.000 | | | | | | |
| SRHG-100C-385A-O2 | 18.000 | | | | | | |
| SRHG-100C-435A-O2 | 18.000 | | | | | | |
| SRHG-100C-485A-O2 | 18.000 | | | | | | |
| SRHG-100C-535A-O2 | 18.000 | 12.289 | 3.150 | 3.441 | 3.993 | 1.288 | 1.191 |
| SRHG-100C-585A-O2 | 18.000 | 12.310 | 3.158 | 3.452 | 5.597 | 2.960 | 4.294 |
| SRHG-100C-535A-O3 | 18.000 | | | | | | |
| SRHG-100C-585A-O3 | 18.000 | | | | | | |
| SRHG-100C-535A-O4 | 18.000 | | | | | | |
| SRHG-100C-585A-O4 | 18.000 | | | | | | |
| SRHG-130C-435A-O1 | 32.000 | | | | | | |
| SRHG-130C-485A-O1 | 32.000 | | | | | | |
| SRHG-130C-535A-O1 | 32.000 | 15.588 | 4.325 | 4.946 | 4.769 | 2.240 | 2.220 |
| SRHG-130C-585A-O1 | 32.000 | 15.615 | 4.336 | 4.960 | 6.879 | 3.817 | 6.301 |
| SRHG-130C-635A-O1 | 32.000 | 15.667 | 4.356 | 4.987 | 9.188 | 5.480 | 10.767 |
| SRHG-130C-385A-O2 | 32.000 | | | | | | |
| SRHG-130C-435A-O2 | 32.000 | | | | | | |
| SRHG-130C-485A-O2 | 32.000 | | | | | | |
| SRHG-130C-535A-O2 | 32.000 | | | | | | |
| SRHG-130C-585A-O2 | 32.000 | 19.343 | 5.117 | 5.690 | 6.047 | 2.150 | 2.019 |
| SRHG-130C-635A-O2 | 32.000 | 19.394 | 5.137 | 5.717 | 8.356 | 4.433 | 6.485 |
| SRHG-130C-685A-O2 | 32.000 | 19.363 | 5.125 | 5.701 | 10.808 | 6.218 | 11.229 |
| SRHG-130C-485A-O5 | 32.000 | | | | | | |
| SRHG-130C-535A-O5 | 32.000 | | | | | | |
| SRHG-130C-585A-O5 | 32.000 | | | | | | |
| SRHG-130C-635A-O5 | 32.000 | 20.865 | 5.944 | 6.901 | 7.006 | 3.599 | 4.795 |
| SRHG-130C-685A-O5 | 32.000 | 20.835 | 5.932 | 6.885 | 9.459 | 5.394 | 9.538 |
| SRHG-130C-735A-O5 | 32.000 | 20.802 | 5.919 | 6.868 | 12.097 | 7.285 | 14.641 |
| SRHG-130C-535A-O6 | 32.000 | | | | | | |
| SRHG-130C-585A-O6 | 32.000 | | | | | | |
| SRHG-130C-635A-O6 | 32.000 | | | | | | |
| SRHG-130C-685A-O6 | 32.000 | | | | | | |
| SRHG-130C-735A-O6 | 32.000 | 27.940 | 7.457 | 8.335 | 10.425 | 5.223 | 6.442 |

| 型号 | 最大扭矩 Nm | 最大扭矩 (Nm) | | | | | |
|-------------------|------------|-----------|-------|--------|--------|-------|-------|
| | | BTO | RTO | ETO | BTC | RTC | ETC |
| SRHG-085S-280A-O2 | 9.000 | | | | | | |
| SRHG-085S-335A-O2 | 9.000 | 2.335 | 1.122 | 1.474 | 1.442 | 394 | 384 |
| SRHG-085S-385A-O2 | 9.000 | 2.325 | 1.116 | 1.463 | 2.422 | 1.139 | 1.456 |
| SRHG-085S-435A-O2 | 9.000 | 2.320 | 1.113 | 1.458 | 3.544 | 1.849 | 2.682 |
| SRHG-085S-335A-O3 | 9.000 | | | | | | |
| SRHG-085S-385A-O3 | 9.000 | | | | | | |
| SRHG-085S-435A-O3 | 9.000 | 3.782 | 1.801 | 2.339 | 2.653 | 924 | 916 |
| SRHG-085S-335A-O5 | 9.000 | | | | | | |
| SRHG-085S-385A-O5 | 9.000 | | | | | | |
| SRHG-085S-435A-O5 | 9.000 | 4.104 | 2.007 | 2.692 | 2.296 | 545 | 526 |
| SRHG-085S-385A-O6 | 9.000 | | | | | | |
| SRHG-085S-435A-O6 | 9.000 | | | | | | |
| SRHG-100S-385A-O1 | 18.000 | | | | | | |
| SRHG-100S-435A-O1 | 18.000 | | | | | | |
| SRHG-100S-485A-O1 | 18.000 | | | | | | |
| SRHG-100S-535A-O1 | 18.000 | 6.315 | 2.764 | 3.228 | 5.834 | 2.281 | 2.317 |
| SRHG-100S-585A-O1 | 18.000 | 6.327 | 2.773 | 3.242 | 7.679 | 3.511 | 4.333 |
| SRHG-100S-385A-O2 | 18.000 | | | | | | |
| SRHG-100S-435A-O2 | 18.000 | | | | | | |
| SRHG-100S-485A-O2 | 18.000 | | | | | | |
| SRHG-100S-535A-O2 | 18.000 | 7.441 | 3.495 | 4.460 | 4.589 | 998 | 956 |
| SRHG-100S-585A-O2 | 18.000 | 7.454 | 3.503 | 4.474 | 6.434 | 2.694 | 2.972 |
| SRHG-100S-535A-O3 | 18.000 | | | | | | |
| SRHG-100S-585A-O3 | 18.000 | | | | | | |
| SRHG-100S-535A-O4 | 18.000 | | | | | | |
| SRHG-100S-585A-O4 | 18.000 | | | | | | |
| SRHG-130S-435A-O1 | 32.000 | | | | | | |
| SRHG-130S-485A-O1 | 32.000 | | | | | | |
| SRHG-130S-535A-O1 | 32.000 | 9.466 | 4.694 | 6.408 | 5.484 | 1.668 | 1.640 |
| SRHG-130S-585A-O1 | 32.000 | 9.483 | 4.705 | 6.426 | 7.909 | 3.554 | 4.291 |
| SRHG-130S-635A-O1 | 32.000 | 9.515 | 4.725 | 6.461 | 10.564 | 5.253 | 7.193 |
| SRHG-130S-385A-O2 | 32.000 | | | | | | |
| SRHG-130S-435A-O2 | 32.000 | | | | | | |
| SRHG-130S-485A-O2 | 32.000 | | | | | | |
| SRHG-130S-535A-O2 | 32.000 | | | | | | |
| SRHG-130S-585A-O2 | 32.000 | 11.725 | 5.626 | 7.374 | 6.950 | 1.640 | 1.582 |
| SRHG-130S-635A-O2 | 32.000 | 11.757 | 5.646 | 7.409 | 9.605 | 4.040 | 4.484 |
| SRHG-130S-685A-O2 | 32.000 | 11.738 | 5.634 | 7.388 | 12.425 | 5.876 | 7.566 |
| SRHG-130S-485A-O5 | 32.000 | | | | | | |
| SRHG-130S-535A-O5 | 32.000 | | | | | | |
| SRHG-130S-585A-O5 | 32.000 | | | | | | |
| SRHG-130S-635A-O5 | 32.000 | 12.686 | 6.408 | 8.942 | 8.055 | 3.222 | 3.361 |
| SRHG-130S-685A-O5 | 32.000 | 12.668 | 6.396 | 8.922 | 10.874 | 5.081 | 6.443 |
| SRHG-130S-735A-O5 | 32.000 | 12.647 | 6.383 | 8.899 | 13.907 | 7.010 | 9.758 |
| SRHG-130S-535A-O6 | 32.000 | | | | | | |
| SRHG-130S-585A-O6 | 32.000 | | | | | | |
| SRHG-130S-635A-O6 | 32.000 | | | | | | |
| SRHG-130S-685A-O6 | 32.000 | | | | | | |
| SRHG-130S-735A-O6 | 32.000 | 16.942 | 8.179 | 10.801 | 11.984 | 4.589 | 4.569 |

| 型号 | 最大扭矩 Nm | 3,5 BAR 对称 - 常闭输出扭矩 (Nm) | | | | | |
|-------------------|------------|--------------------------|-------|-------|--------|-------|--------|
| | | BTO | RTO | ETO | BTC | RTC | ETC |
| SRHG-085C-280A-O2 | 9.000 | | | | | | |
| SRHG-085C-335A-O2 | 9.000 | 3.852 | 1.021 | 1.137 | 1.702 | 912 | 1.374 |
| SRHG-085C-385A-O2 | 9.000 | 3.836 | 1.015 | 1.129 | 2.698 | 1.630 | 3.301 |
| SRHG-085C-435A-O2 | 9.000 | 3.828 | 1.012 | 1.125 | 3.837 | 2.436 | 5.504 |
| SRHG-085C-385A-O3 | 9.000 | 6.251 | 1.637 | 1.810 | 1.922 | 577 | 527 |
| SRHG-085C-435A-O3 | 9.000 | 6.243 | 1.633 | 1.805 | 3.061 | 1.686 | 2.730 |
| SRHG-085C-335A-O5 | 9.000 | | | | | | |
| SRHG-085C-385A-O5 | 9.000 | | | | | | |
| SRHG-085C-435A-O5 | 9.000 | 6.765 | 1.839 | 2.078 | 2.751 | 1.458 | 2.130 |
| SRHG-085C-385A-O6 | 9.000 | | | | | | |
| SRHG-085C-435A-O6 | 9.000 | | | | | | |
| SRHG-085C-485A-O6 | 9.000 | 8.236 | 2.211 | 2.481 | 3.536 | 1.894 | 2.847 |
| SRHG-100C-385A-O1 | 18.000 | | | | | | |
| SRHG-100C-435A-O1 | 18.000 | | | | | | |
| SRHG-100C-485A-O1 | 18.000 | 10.460 | 2.410 | 2.488 | 4.737 | 2.315 | 2.631 |
| SRHG-100C-385A-O2 | 18.000 | | | | | | |
| SRHG-100C-435A-O2 | 18.000 | | | | | | |
| SRHG-100C-485A-O2 | 18.000 | | | | | | |
| SRHG-100C-535A-O2 | 18.000 | 12.289 | 3.150 | 3.441 | 5.350 | 2.777 | 3.816 |
| SRHG-100C-585A-O2 | 18.000 | 12.310 | 3.158 | 3.452 | 7.220 | 4.142 | 7.433 |
| SRHG-100C-535A-O3 | 18.000 | | | | | | |
| SRHG-100C-585A-O3 | 18.000 | | | | | | |
| SRHG-100C-535A-O4 | 18.000 | | | | | | |
| SRHG-100C-585A-O4 | 18.000 | | | | | | |
| SRHG-130C-435A-O1 | 32.000 | | | | | | |
| SRHG-130C-485A-O1 | 32.000 | 15.581 | 4.323 | 4.942 | 4.324 | 1.459 | 1.359 |
| SRHG-130C-535A-O1 | 32.000 | 15.588 | 4.325 | 4.946 | 6.554 | 3.580 | 5.672 |
| SRHG-130C-585A-O1 | 32.000 | 15.615 | 4.336 | 4.960 | 9.012 | 5.355 | 10.427 |
| SRHG-130C-635A-O1 | 32.000 | 15.667 | 4.356 | 4.987 | 11.702 | 7.264 | 15.630 |
| SRHG-130C-385A-O2 | 32.000 | | | | | | |
| SRHG-130C-435A-O2 | 32.000 | | | | | | |
| SRHG-130C-485A-O2 | 32.000 | | | | | | |
| SRHG-130C-535A-O2 | 32.000 | 19.315 | 5.106 | 5.676 | 5.721 | 1.553 | 1.390 |
| SRHG-130C-585A-O2 | 32.000 | 19.343 | 5.117 | 5.690 | 8.180 | 4.303 | 6.146 |
| SRHG-130C-635A-O2 | 32.000 | 19.394 | 5.137 | 5.717 | 10.869 | 6.262 | 11.348 |
| SRHG-130C-685A-O2 | 32.000 | 19.363 | 5.125 | 5.701 | 13.733 | 8.311 | 16.887 |
| SRHG-130C-485A-O5 | 32.000 | | | | | | |
| SRHG-130C-535A-O5 | 32.000 | | | | | | |
| SRHG-130C-585A-O5 | 32.000 | 20.814 | 5.924 | 6.875 | 6.831 | 3.467 | 4.455 |
| SRHG-130C-635A-O5 | 32.000 | 20.865 | 5.944 | 6.901 | 9.520 | 5.439 | 9.657 |
| SRHG-130C-685A-O5 | 32.000 | 20.835 | 5.932 | 6.885 | 12.384 | 7.489 | 15.197 |
| SRHG-130C-735A-O5 | 32.000 | 20.802 | 5.919 | 6.868 | 15.464 | 9.672 | 21.156 |
| SRHG-130C-535A-O6 | 32.000 | | | | | | |
| SRHG-130C-585A-O6 | 32.000 | | | | | | |
| SRHG-130C-635A-O6 | 32.000 | | | | | | |
| SRHG-130C-685A-O6 | 32.000 | 27.973 | 7.470 | 8.353 | 10.712 | 5.440 | 6.997 |
| SRHG-130C-735A-O6 | 32.000 | 27.940 | 7.457 | 8.335 | 13.793 | 7.708 | 12.956 |

| 型号 | 最大扭矩 Nm | 最大扭矩 (Nm) | | | | | |
|-------------------|------------|-----------|-------|--------|--------|-------|--------|
| | | BTO | RTO | ETO | BTC | RTC | ETC |
| SRHG-085S-280A-O2 | 9.000 | | | | | | |
| SRHG-085S-335A-O2 | 9.000 | 2.335 | 1.122 | 1.474 | 1.956 | 836 | 946 |
| SRHG-085S-385A-O2 | 9.000 | 2.325 | 1.116 | 1.463 | 3.101 | 1.570 | 2.198 |
| SRHG-085S-435A-O2 | 9.000 | 2.320 | 1.113 | 1.458 | 4.411 | 2.392 | 3.629 |
| SRHG-085S-335A-O3 | 9.000 | | | | | | |
| SRHG-085S-385A-O3 | 9.000 | | | | | | |
| SRHG-085S-435A-O3 | 9.000 | 3.782 | 1.801 | 2.339 | 3.519 | 1.565 | 1.863 |
| SRHG-085S-335A-O5 | 9.000 | | | | | | |
| SRHG-085S-385A-O5 | 9.000 | | | | | | |
| SRHG-085S-435A-O5 | 9.000 | 4.104 | 2.007 | 2.692 | 3.163 | 1.329 | 1.474 |
| SRHG-085S-385A-O6 | 9.000 | | | | | | |
| SRHG-085S-435A-O6 | 9.000 | | | | | | |
| SRHG-100S-385A-O1 | 18.000 | | | | | | |
| SRHG-100S-435A-O1 | 18.000 | | | | | | |
| SRHG-100S-485A-O1 | 18.000 | 6.311 | 2.762 | 3.225 | 5.445 | 1.908 | 1.891 |
| SRHG-100S-535A-O1 | 18.000 | 6.315 | 2.764 | 3.228 | 7.394 | 3.327 | 4.022 |
| SRHG-100S-585A-O1 | 18.000 | 6.327 | 2.773 | 3.242 | 9.544 | 4.704 | 6.372 |
| SRHG-100S-385A-O2 | 18.000 | | | | | | |
| SRHG-100S-435A-O2 | 18.000 | | | | | | |
| SRHG-100S-485A-O2 | 18.000 | | | | | | |
| SRHG-100S-535A-O2 | 18.000 | 7.441 | 3.495 | 4.460 | 6.149 | 2.501 | 2.661 |
| SRHG-100S-585A-O2 | 18.000 | 7.454 | 3.503 | 4.474 | 8.299 | 3.911 | 5.011 |
| SRHG-100S-535A-O3 | 18.000 | 8.736 | 4.386 | 5.400 | 5.378 | 2.031 | 1.492 |
| SRHG-100S-585A-O3 | 18.000 | 8.736 | 4.386 | 5.400 | 7.317 | 3.186 | 3.494 |
| SRHG-100S-535A-O4 | 18.000 | | | | | | |
| SRHG-100S-585A-O4 | 18.000 | 9.906 | 5.151 | 6.750 | 6.183 | 2.511 | 2.324 |
| SRHG-130S-435A-O1 | 32.000 | | | | | | |
| SRHG-130S-485A-O1 | 32.000 | 9.462 | 4.692 | 6.403 | 4.972 | 1.124 | 1.080 |
| SRHG-130S-535A-O1 | 32.000 | 9.466 | 4.694 | 6.408 | 7.535 | 3.310 | 3.882 |
| SRHG-130S-585A-O1 | 32.000 | 9.483 | 4.705 | 6.426 | 10.362 | 5.125 | 6.972 |
| SRHG-130S-635A-O1 | 32.000 | 9.515 | 4.725 | 6.461 | 13.454 | 7.074 | 10.352 |
| SRHG-130S-385A-O2 | 32.000 | | | | | | |
| SRHG-130S-435A-O2 | 32.000 | | | | | | |
| SRHG-130S-485A-O2 | 32.000 | | | | | | |
| SRHG-130S-535A-O2 | 32.000 | | | | | | |
| SRHG-130S-585A-O2 | 32.000 | 11.725 | 5.626 | 7.374 | 9.403 | 3.905 | 4.263 |
| SRHG-130S-635A-O2 | 32.000 | 11.757 | 5.646 | 7.409 | 12.495 | 5.922 | 7.643 |
| SRHG-130S-685A-O2 | 32.000 | 11.738 | 5.634 | 7.388 | 15.788 | 8.011 | 11.242 |
| SRHG-130S-485A-O5 | 32.000 | | | | | | |
| SRHG-130S-535A-O5 | 32.000 | | | | | | |
| SRHG-130S-585A-O5 | 32.000 | 12.655 | 6.388 | 8.908 | 7.853 | 3.081 | 3.140 |
| SRHG-130S-635A-O5 | 32.000 | 12.686 | 6.408 | 8.942 | 10.945 | 5.126 | 6.520 |
| SRHG-130S-685A-O5 | 32.000 | 12.668 | 6.396 | 8.922 | 14.237 | 7.218 | 10.119 |
| SRHG-130S-735A-O5 | 32.000 | 12.647 | 6.383 | 8.899 | 17.779 | 9.445 | 13.990 |
| SRHG-130S-535A-O6 | 32.000 | | | | | | |
| SRHG-130S-585A-O6 | 32.000 | | | | | | |
| SRHG-130S-635A-O6 | 32.000 | | | | | | |
| SRHG-130S-685A-O6 | 32.000 | 16.962 | 8.192 | 10.823 | 12.314 | 4.834 | 4.930 |
| SRHG-130S-735A-O6 | 32.000 | 16.942 | 8.179 | 10.801 | 15.856 | 7.198 | 8.802 |

| 型号 | 最大扭矩 Nm | 4 BAR 非对称 - 常开输出扭矩 (Nm) | | | | | |
|-------------------|---------|-------------------------|-------|-------|--------|--------|--------|
| | | BTO | RTO | ETO | BTC | RTC | ETC |
| SRHG-085C-280A-O2 | 9.000 | | | | | | |
| SRHG-085C-335A-O2 | 9.000 | 3.852 | 1.021 | 1.137 | 2.149 | 1.237 | 2.239 |
| SRHG-085C-385A-O2 | 9.000 | 3.836 | 1.015 | 1.129 | 3.288 | 2.048 | 4.443 |
| SRHG-085C-435A-O2 | 9.000 | 3.828 | 1.012 | 1.125 | 4.591 | 2.968 | 6.962 |
| SRHG-085C-385A-O3 | 9.000 | 6.251 | 1.637 | 1.810 | 2.513 | 1.281 | 1.669 |
| SRHG-085C-435A-O3 | 9.000 | 6.243 | 1.633 | 1.805 | 3.815 | 2.231 | 4.188 |
| SRHG-085C-335A-O5 | 9.000 | | | | | | |
| SRHG-085C-385A-O5 | 9.000 | 6.773 | 1.842 | 2.082 | 2.202 | 1.044 | 1.069 |
| SRHG-085C-435A-O5 | 9.000 | 6.765 | 1.839 | 2.078 | 3.505 | 2.008 | 3.589 |
| SRHG-085C-385A-O6 | 9.000 | | | | | | |
| SRHG-085C-435A-O6 | 9.000 | 8.270 | 2.225 | 2.498 | 3.025 | 1.514 | 1.859 |
| SRHG-085C-485A-O6 | 9.000 | 8.236 | 2.211 | 2.481 | 4.473 | 2.575 | 4.660 |
| SRHG-100C-385A-O1 | 18.000 | | | | | | |
| SRHG-100C-435A-O1 | 18.000 | 10.501 | 2.427 | 2.509 | 4.129 | 1.539 | 1.455 |
| SRHG-100C-485A-O1 | 18.000 | 10.460 | 2.410 | 2.488 | 5.853 | 3.148 | 4.788 |
| SRHG-100C-385A-O2 | 18.000 | | | | | | |
| SRHG-100C-435A-O2 | 18.000 | | | | | | |
| SRHG-100C-485A-O2 | 18.000 | 12.284 | 3.148 | 3.438 | 4.770 | 2.340 | 2.693 |
| SRHG-100C-535A-O2 | 18.000 | 12.289 | 3.150 | 3.441 | 6.707 | 3.772 | 6.441 |
| SRHG-100C-585A-O2 | 18.000 | 12.310 | 3.158 | 3.452 | 8.843 | 5.306 | 10.572 |
| SRHG-100C-535A-O3 | 18.000 | | | | | | |
| SRHG-100C-585A-O3 | 18.000 | | | | | | |
| SRHG-100C-535A-O4 | 18.000 | | | | | | |
| SRHG-100C-585A-O4 | 18.000 | 16.317 | 4.928 | 5.286 | 7.154 | 3.859 | 6.317 |
| SRHG-130C-435A-O1 | 32.000 | | | | | | |
| SRHG-130C-485A-O1 | 32.000 | 15.581 | 4.323 | 4.942 | 5.791 | 3.018 | 4.196 |
| SRHG-130C-535A-O1 | 32.000 | 15.588 | 4.325 | 4.946 | 8.338 | 4.871 | 9.123 |
| SRHG-130C-585A-O1 | 32.000 | 15.615 | 4.336 | 4.960 | 11.146 | 6.870 | 14.554 |
| SRHG-130C-635A-O1 | 32.000 | 15.667 | 4.356 | 4.987 | 14.216 | 9.041 | 20.492 |
| SRHG-130C-385A-O2 | 32.000 | | | | | | |
| SRHG-130C-435A-O2 | 32.000 | | | | | | |
| SRHG-130C-485A-O2 | 32.000 | | | | | | |
| SRHG-130C-535A-O2 | 32.000 | 19.315 | 5.106 | 5.676 | 7.506 | 3.800 | 4.842 |
| SRHG-130C-585A-O2 | 32.000 | 19.343 | 5.117 | 5.690 | 10.314 | 5.861 | 10.273 |
| SRHG-130C-635A-O2 | 32.000 | 19.394 | 5.137 | 5.717 | 13.383 | 8.062 | 16.210 |
| SRHG-130C-685A-O2 | 32.000 | 19.363 | 5.125 | 5.701 | 16.659 | 10.384 | 22.546 |
| SRHG-130C-485A-O5 | 32.000 | | | | | | |
| SRHG-130C-535A-O5 | 32.000 | 20.787 | 5.913 | 6.860 | 6.156 | 2.953 | 3.151 |
| SRHG-130C-585A-O5 | 32.000 | 20.814 | 5.924 | 6.875 | 8.964 | 5.036 | 8.582 |
| SRHG-130C-635A-O5 | 32.000 | 20.865 | 5.944 | 6.901 | 12.034 | 7.240 | 14.520 |
| SRHG-130C-685A-O5 | 32.000 | 20.835 | 5.932 | 6.885 | 15.309 | 9.562 | 20.855 |
| SRHG-130C-735A-O5 | 32.000 | 20.802 | 5.919 | 6.868 | 18.832 | 12.051 | 27.671 |
| SRHG-130C-535A-O6 | 32.000 | | | | | | |
| SRHG-130C-585A-O6 | 32.000 | | | | | | |
| SRHG-130C-635A-O6 | 32.000 | 28.003 | 7.482 | 8.369 | 10.362 | 5.176 | 6.320 |
| SRHG-130C-685A-O6 | 32.000 | 27.973 | 7.470 | 8.353 | 13.637 | 7.595 | 12.656 |
| SRHG-130C-735A-O6 | 32.000 | 27.940 | 7.457 | 8.335 | 17.161 | 10.135 | 19.471 |

| 型号 | 最大扭矩 Nm | 最大扭矩 (Nm) | | | | | |
|-------------------|------------|-----------|-------|--------|--------|--------|--------|
| | | BTO | RTO | ETO | BTC | RTC | ETC |
| SRHG-085S-280A-O2 | 9.000 | | | | | | |
| SRHG-085S-335A-O2 | 9.000 | 2.335 | 1.122 | 1.474 | 2.470 | 1.170 | 1.508 |
| SRHG-085S-385A-O2 | 9.000 | 2.325 | 1.116 | 1.463 | 3.780 | 1.997 | 2.940 |
| SRHG-085S-435A-O2 | 9.000 | 2.320 | 1.113 | 1.458 | 5.278 | 2.934 | 4.577 |
| SRHG-085S-335A-O3 | 9.000 | | | | | | |
| SRHG-085S-385A-O3 | 9.000 | 3.787 | 1.804 | 2.345 | 2.889 | 1.142 | 1.174 |
| SRHG-085S-435A-O3 | 9.000 | 3.782 | 1.801 | 2.339 | 4.386 | 2.122 | 2.811 |
| SRHG-085S-335A-O5 | 9.000 | | | | | | |
| SRHG-085S-385A-O5 | 9.000 | 4.110 | 2.010 | 2.697 | 2.532 | 796 | 784 |
| SRHG-085S-435A-O5 | 9.000 | 4.104 | 2.007 | 2.692 | 4.030 | 1.895 | 2.421 |
| SRHG-085S-385A-O6 | 9.000 | | | | | | |
| SRHG-085S-435A-O6 | 9.000 | 5.015 | 2.434 | 3.237 | 3.479 | 1.327 | 1.321 |
| SRHG-100S-385A-O1 | 18.000 | | | | | | |
| SRHG-100S-435A-O1 | 18.000 | 6.336 | 2.779 | 3.252 | 4.746 | 1.165 | 1.127 |
| SRHG-100S-485A-O1 | 18.000 | 6.311 | 2.762 | 3.225 | 6.727 | 2.889 | 3.293 |
| SRHG-100S-535A-O1 | 18.000 | 6.315 | 2.764 | 3.228 | 8.955 | 4.329 | 5.728 |
| SRHG-100S-585A-O1 | 18.000 | 6.327 | 2.773 | 3.242 | 11.410 | 5.882 | 8.411 |
| SRHG-100S-385A-O2 | 18.000 | | | | | | |
| SRHG-100S-435A-O2 | 18.000 | | | | | | |
| SRHG-100S-485A-O2 | 18.000 | 7.438 | 3.492 | 4.456 | 5.482 | 1.948 | 1.932 |
| SRHG-100S-535A-O2 | 18.000 | 7.441 | 3.495 | 4.460 | 7.710 | 3.531 | 4.367 |
| SRHG-100S-585A-O2 | 18.000 | 7.454 | 3.503 | 4.474 | 10.165 | 5.097 | 7.050 |
| SRHG-100S-535A-O3 | 18.000 | 8.736 | 4.386 | 5.400 | 6.794 | 2.874 | 2.954 |
| SRHG-100S-585A-O3 | 18.000 | 8.736 | 4.386 | 5.400 | 9.011 | 4.193 | 5.241 |
| SRHG-100S-535A-O4 | 18.000 | 9.906 | 5.151 | 6.750 | 5.660 | 2.199 | 1.784 |
| SRHG-100S-585A-O4 | 18.000 | 9.906 | 5.151 | 6.750 | 7.877 | 3.518 | 4.071 |
| SRHG-130S-435A-O1 | 32.000 | | | | | | |
| SRHG-130S-485A-O1 | 32.000 | 9.462 | 4.692 | 6.403 | 6.658 | 2.725 | 2.923 |
| SRHG-130S-535A-O1 | 32.000 | 9.466 | 4.694 | 6.408 | 9.587 | 4.632 | 6.125 |
| SRHG-130S-585A-O1 | 32.000 | 9.483 | 4.705 | 6.426 | 12.815 | 6.672 | 9.653 |
| SRHG-130S-635A-O1 | 32.000 | 9.515 | 4.725 | 6.461 | 16.344 | 8.884 | 13.511 |
| SRHG-130S-385A-O2 | 32.000 | | | | | | |
| SRHG-130S-435A-O2 | 32.000 | | | | | | |
| SRHG-130S-485A-O2 | 32.000 | | | | | | |
| SRHG-130S-535A-O2 | 32.000 | 11.708 | 5.615 | 7.356 | 8.628 | 3.370 | 3.416 |
| SRHG-130S-585A-O2 | 32.000 | 11.725 | 5.626 | 7.374 | 11.856 | 5.512 | 6.945 |
| SRHG-130S-635A-O2 | 32.000 | 11.757 | 5.646 | 7.409 | 15.386 | 7.758 | 10.802 |
| SRHG-130S-685A-O2 | 32.000 | 11.738 | 5.634 | 7.388 | 19.151 | 10.127 | 14.918 |
| SRHG-130S-485A-O5 | 32.000 | | | | | | |
| SRHG-130S-535A-O5 | 32.000 | 12.638 | 6.377 | 8.889 | 7.077 | 2.322 | 2.293 |
| SRHG-130S-585A-O5 | 32.000 | 12.655 | 6.388 | 8.908 | 10.305 | 4.714 | 5.821 |
| SRHG-130S-635A-O5 | 32.000 | 12.686 | 6.408 | 8.942 | 13.835 | 6.964 | 9.679 |
| SRHG-130S-685A-O5 | 32.000 | 12.668 | 6.396 | 8.922 | 17.600 | 9.333 | 13.795 |
| SRHG-130S-735A-O5 | 32.000 | 12.647 | 6.383 | 8.899 | 21.651 | 11.868 | 18.223 |
| SRHG-130S-535A-O6 | 32.000 | | | | | | |
| SRHG-130S-585A-O6 | 32.000 | | | | | | |
| SRHG-130S-635A-O6 | 32.000 | 16.981 | 8.204 | 10.844 | 11.912 | 4.512 | 4.490 |
| SRHG-130S-685A-O6 | 32.000 | 16.962 | 8.192 | 10.823 | 15.677 | 7.082 | 8.606 |
| SRHG-130S-735A-O6 | 32.000 | 16.942 | 8.179 | 10.801 | 19.728 | 9.678 | 13.034 |

| 型号 | 最大扭矩 Nm | 4,5 BAR 对称 - 常闭输出扭矩 (Nm) | | | | | |
|-------------------|------------|--------------------------|-------|-------|--------|-------|-------|
| | | BTO | RTO | ETO | BTC | RTC | ETC |
| SRHG-085C-280A-O2 | 9.000 | | | | | | |
| SRHG-085C-335A-O2 | 9.000 | 3.887 | 1.035 | 1.155 | 2.479 | 1.513 | 2890 |
| SRHG-085C-385A-O2 | 9.000 | 3.852 | 1.021 | 1.137 | 3.619 | 2.324 | 4904 |
| SRHG-085C-435A-O2 | 9.000 | 3.836 | 1.015 | 1.129 | 4.917 | 3.248 | 7197 |
| SRHG-085C-385A-O3 | 9.000 | 3.828 | 1.012 | 1.125 | 3.036 | 1.717 | 2716 |
| SRHG-085C-435A-O3 | 9.000 | 6.251 | 1.637 | 1.810 | 4.335 | 2.640 | 5010 |
| SRHG-085C-335A-O5 | 9.000 | | | | | | |
| SRHG-085C-385A-O5 | 9.000 | 6.789 | 1.848 | 2.090 | 2.812 | 1.558 | 2321 |
| SRHG-085C-435A-O5 | 9.000 | 6.773 | 1.842 | 2.082 | 4.111 | 2.481 | 4614 |
| SRHG-085C-385A-O6 | 9.000 | | | | | | |
| SRHG-085C-435A-O6 | 9.000 | 8.278 | 2.228 | 2.503 | 3.656 | 1.984 | 2803 |
| SRHG-085C-485A-O6 | 9.000 | 8.270 | 2.225 | 2.498 | 5.113 | 3.020 | 5376 |
| SRHG-100C-385A-O1 | 18.000 | | | | | | |
| SRHG-100C-435A-O1 | 18.000 | 10.511 | 2.431 | 2.514 | 5.136 | 2.646 | 3572 |
| SRHG-100C-485A-O1 | 18.000 | 10.501 | 2.427 | 2.509 | 6.997 | 3.930 | 6852 |
| SRHG-100C-385A-O2 | 18.000 | | | | | | |
| SRHG-100C-435A-O2 | 18.000 | | | | | | |
| SRHG-100C-485A-O2 | 18.000 | 12.324 | 3.164 | 3.459 | 6.081 | 3.298 | 5238 |
| SRHG-100C-535A-O2 | 18.000 | 12.324 | 3.164 | 3.459 | 8.144 | 4.722 | 8874 |
| SRHG-100C-585A-O2 | 18.000 | 12.324 | 3.164 | 3.459 | 10.409 | 6.285 | 12866 |
| SRHG-100C-535A-O3 | 18.000 | 14.390 | 4.172 | 4.228 | 7.457 | 4.068 | 6850 |
| SRHG-100C-585A-O3 | 18.000 | 14.390 | 4.172 | 4.228 | 9.722 | 5.632 | 10843 |
| SRHG-100C-535A-O4 | 18.000 | 16.317 | 4.928 | 5.286 | 6.427 | 3.357 | 5.035 |
| SRHG-100C-585A-O4 | 18.000 | 16.317 | 4.928 | 5.286 | 8.692 | 4.921 | 9.027 |
| SRHG-130C-435A-O1 | 32.000 | | | | | | |
| SRHG-130C-485A-O1 | 32.000 | | | | | | |
| SRHG-130C-535A-O1 | 32.000 | | | | | | |
| SRHG-130C-585A-O1 | 32.000 | | | | | | |
| SRHG-130C-635A-O1 | 32.000 | | | | | | |
| SRHG-130C-385A-O2 | 32.000 | | | | | | |
| SRHG-130C-435A-O2 | 32.000 | | | | | | |
| SRHG-130C-485A-O2 | 32.000 | | | | | | |
| SRHG-130C-535A-O2 | 32.000 | | | | | | |
| SRHG-130C-585A-O2 | 32.000 | | | | | | |
| SRHG-130C-635A-O2 | 32.000 | | | | | | |
| SRHG-130C-685A-O2 | 32.000 | | | | | | |
| SRHG-130C-485A-O5 | 32.000 | | | | | | |
| SRHG-130C-535A-O5 | 32.000 | | | | | | |
| SRHG-130C-585A-O5 | 32.000 | | | | | | |
| SRHG-130C-635A-O5 | 32.000 | | | | | | |
| SRHG-130C-685A-O5 | 32.000 | | | | | | |
| SRHG-130C-735A-O5 | 32.000 | | | | | | |
| SRHG-130C-535A-O6 | 32.000 | | | | | | |
| SRHG-130C-585A-O6 | 32.000 | | | | | | |
| SRHG-130C-635A-O6 | 32.000 | | | | | | |
| SRHG-130C-685A-O6 | 32.000 | | | | | | |
| SRHG-130C-735A-O6 | 32.000 | | | | | | |

| 型号 | 最大扭矩 Nm | 最大扭矩 Nm | | | | | |
|-------------------|---------|---------|-------|-------|--------|-------|-------|
| | | BTO | RTO | ETO | BTC | RTC | ETC |
| SRHG-085S-280A-O2 | 9.000 | 2.356 | 1.136 | 1.497 | 1.682 | 715 | 741 |
| SRHG-085S-335A-O2 | 9.000 | 2.335 | 1.122 | 1.474 | 2.963 | 1.477 | 2062 |
| SRHG-085S-385A-O2 | 9.000 | 2.325 | 1.116 | 1.463 | 4.326 | 2.288 | 3468 |
| SRHG-085S-435A-O2 | 9.000 | 2.320 | 1.113 | 1.458 | 5.877 | 3.212 | 5070 |
| SRHG-085S-335A-O3 | 9.000 | 3.797 | 1.810 | 2.355 | 2.267 | 839 | 571 |
| SRHG-085S-385A-O3 | 9.000 | 3.787 | 1.804 | 2.345 | 3.629 | 1.650 | 1977 |
| SRHG-085S-435A-O3 | 9.000 | 3.782 | 1.801 | 2.339 | 5.181 | 2.574 | 3578 |
| SRHG-085S-335A-O5 | 9.000 | 4.119 | 2.016 | 2.708 | 1.999 | 680 | 294 |
| SRHG-085S-385A-O5 | 9.000 | 4.110 | 2.010 | 2.697 | 3.362 | 1.491 | 1700 |
| SRHG-085S-435A-O5 | 9.000 | 4.104 | 2.007 | 2.692 | 4.914 | 2.415 | 3302 |
| SRHG-085S-385A-O6 | 9.000 | 5.021 | 2.438 | 3.243 | 2.819 | 973 | 466 |
| SRHG-085S-435A-O6 | 9.000 | 5.015 | 2.434 | 3.237 | 4.371 | 1.897 | 2067 |
| SRHG-100S-385A-O1 | 18.000 | 6.342 | 2.783 | 3.259 | 3.829 | 1.304 | 570 |
| SRHG-100S-435A-O1 | 18.000 | 6.336 | 2.779 | 3.252 | 5.655 | 2.391 | 2454 |
| SRHG-100S-485A-O1 | 18.000 | 6.311 | 2.762 | 3.225 | 7.703 | 3.610 | 4568 |
| SRHG-100S-535A-O1 | 18.000 | 6.315 | 2.764 | 3.228 | 9.974 | 4.962 | 6911 |
| SRHG-100S-585A-O1 | 18.000 | 6.315 | 2.764 | 3.228 | 12.468 | 6.446 | 9484 |
| SRHG-100S-385A-O2 | 18.000 | | | | | | |
| SRHG-100S-435A-O2 | 18.000 | 7.463 | 3.508 | 4.483 | 4.647 | 1.791 | 1414 |
| SRHG-100S-485A-O2 | 18.000 | 7.438 | 3.492 | 4.456 | 6.695 | 3.010 | 3528 |
| SRHG-100S-535A-O2 | 18.000 | 7.441 | 3.495 | 4.460 | 8.966 | 4.362 | 5871 |
| SRHG-100S-585A-O2 | 18.000 | 7.454 | 3.503 | 4.474 | 11.460 | 5.846 | 8444 |
| SRHG-100S-535A-O3 | 18.000 | 8.736 | 4.386 | 5.400 | 8.210 | 3.717 | 4415 |
| SRHG-100S-585A-O3 | 18.000 | 8.736 | 4.386 | 5.400 | 10.704 | 5.201 | 6988 |
| SRHG-100S-535A-O4 | 18.000 | 9.906 | 5.151 | 6.750 | 7.076 | 3.042 | 3.245 |
| SRHG-100S-585A-O4 | 18.000 | 9.906 | 5.151 | 6.750 | 9.570 | 4.526 | 5.818 |
| SRHG-130S-435A-O1 | 32.000 | | | | | | |
| SRHG-130S-485A-O1 | 32.000 | | | | | | |
| SRHG-130S-535A-O1 | 32.000 | | | | | | |
| SRHG-130S-585A-O1 | 32.000 | | | | | | |
| SRHG-130S-635A-O1 | 32.000 | | | | | | |
| SRHG-130S-385A-O2 | 32.000 | | | | | | |
| SRHG-130S-435A-O2 | 32.000 | | | | | | |
| SRHG-130S-485A-O2 | 32.000 | | | | | | |
| SRHG-130S-535A-O2 | 32.000 | | | | | | |
| SRHG-130S-585A-O2 | 32.000 | | | | | | |
| SRHG-130S-635A-O2 | 32.000 | | | | | | |
| SRHG-130S-685A-O2 | 32.000 | | | | | | |
| SRHG-130S-485A-O5 | 32.000 | | | | | | |
| SRHG-130S-535A-O5 | 32.000 | | | | | | |
| SRHG-130S-585A-O5 | 32.000 | | | | | | |
| SRHG-130S-635A-O5 | 32.000 | | | | | | |
| SRHG-130S-685A-O5 | 32.000 | | | | | | |
| SRHG-130S-735A-O5 | 32.000 | | | | | | |
| SRHG-130S-535A-O6 | 32.000 | | | | | | |
| SRHG-130S-585A-O6 | 32.000 | | | | | | |
| SRHG-130S-635A-O6 | 32.000 | | | | | | |
| SRHG-130S-685A-O6 | 32.000 | | | | | | |
| SRHG-130S-735A-O6 | 32.000 | | | | | | |

| 型号 | 最大扭矩 Nm | 5 BAR 非对称 - 常开输出扭矩 (Nm) | | | | | |
|-------------------|------------|-------------------------|-------|-------|--------|--------|--------|
| | | BTO | RTO | ETO | BTC | RTC | ETC |
| SRHG-085C-280A-O2 | 9.000 | 3.887 | 1.035 | 1.155 | 1.714 | 921 | 1.399 |
| SRHG-085C-335A-O2 | 9.000 | 3.852 | 1.021 | 1.137 | 3.043 | 1.875 | 3.969 |
| SRHG-085C-385A-O2 | 9.000 | 3.836 | 1.015 | 1.129 | 4.469 | 2.883 | 6.728 |
| SRHG-085C-435A-O2 | 9.000 | | | | | | |
| SRHG-085C-385A-O3 | 9.000 | 6.251 | 1.637 | 1.810 | 3.694 | 2.144 | 3.954 |
| SRHG-085C-435A-O3 | 9.000 | 6.243 | 1.633 | 1.805 | 5.323 | 3.304 | 7.105 |
| SRHG-085C-335A-O5 | 9.000 | | | | | | |
| SRHG-085C-385A-O5 | 9.000 | 6.773 | 1.842 | 2.082 | 3.384 | 1.920 | 3.354 |
| SRHG-085C-435A-O5 | 9.000 | 6.765 | 1.839 | 2.078 | 5.013 | 3.084 | 6.505 |
| SRHG-085C-385A-O6 | 9.000 | | | | | | |
| SRHG-085C-435A-O6 | 9.000 | 8.270 | 2.225 | 2.498 | 4.533 | 2.618 | 4.776 |
| SRHG-085C-485A-O6 | 9.000 | 8.236 | 2.211 | 2.481 | 6.348 | 3.912 | 8.286 |
| SRHG-100C-385A-O1 | 18.000 | | | | | | |
| SRHG-100C-435A-O1 | 18.000 | 10.501 | 2.427 | 2.509 | 5.924 | 3.201 | 4.926 |
| SRHG-100C-485A-O1 | 18.000 | 10.460 | 2.410 | 2.488 | 8.083 | 4.763 | 9.103 |
| SRHG-100C-385A-O2 | 18.000 | | | | | | |
| SRHG-100C-435A-O2 | 18.000 | | | | | | |
| SRHG-100C-485A-O2 | 18.000 | 12.284 | 3.148 | 3.438 | 7.000 | 3.984 | 7.008 |
| SRHG-100C-535A-O2 | 18.000 | 12.289 | 3.150 | 3.441 | 9.422 | 5.717 | 11.692 |
| SRHG-100C-585A-O2 | 18.000 | 12.310 | 3.158 | 3.452 | 11.947 | 7.347 | 15.577 |
| SRHG-100C-535A-O3 | 18.000 | 14.390 | 4.172 | 4.228 | 8.744 | 4.956 | 9.118 |
| SRHG-100C-585A-O3 | 18.000 | 14.390 | 4.172 | 4.228 | 11.260 | 6.693 | 13.554 |
| SRHG-100C-535A-O4 | 18.000 | 16.317 | 4.928 | 5.286 | 7.714 | 4.245 | 7.302 |
| SRHG-100C-585A-O4 | 18.000 | 16.317 | 4.928 | 5.286 | 10.230 | 5.982 | 11.738 |
| SRHG-130C-435A-O1 | 32.000 | 15.634 | 4.343 | 4.970 | 5.884 | 3.088 | 4.377 |
| SRHG-130C-485A-O1 | 32.000 | 15.581 | 4.323 | 4.942 | 8.724 | 5.148 | 9.869 |
| SRHG-130C-535A-O1 | 32.000 | 15.588 | 4.325 | 4.946 | 11.907 | 7.409 | 16.027 |
| SRHG-130C-585A-O1 | 32.000 | 15.615 | 4.336 | 4.960 | 15.413 | 9.885 | 22.808 |
| SRHG-130C-635A-O1 | 32.000 | 15.667 | 4.356 | 4.987 | 19.243 | 12.585 | 30.217 |
| SRHG-130C-385A-O2 | 32.000 | | | | | | |
| SRHG-130C-435A-O2 | 32.000 | | | | | | |
| SRHG-130C-485A-O2 | 32.000 | 19.308 | 5.103 | 5.672 | 7.891 | 4.089 | 5.587 |
| SRHG-130C-535A-O2 | 32.000 | 19.315 | 5.106 | 5.676 | 11.075 | 6.410 | 11.745 |
| SRHG-130C-585A-O2 | 32.000 | 19.343 | 5.117 | 5.690 | 14.581 | 8.912 | 18.526 |
| SRHG-130C-635A-O2 | 32.000 | 19.394 | 5.137 | 5.717 | 18.411 | 11.623 | 25.936 |
| SRHG-130C-685A-O2 | 32.000 | 19.363 | 5.125 | 5.701 | 22.509 | 14.515 | 33.863 |
| SRHG-130C-485A-O5 | 32.000 | 20.780 | 5.911 | 6.857 | 6.542 | 3.249 | 3.897 |
| SRHG-130C-535A-O5 | 32.000 | 20.787 | 5.913 | 6.860 | 9.725 | 5.586 | 10.054 |
| SRHG-130C-585A-O5 | 32.000 | 20.814 | 5.924 | 6.875 | 13.231 | 8.091 | 16.836 |
| SRHG-130C-635A-O5 | 32.000 | 20.865 | 5.944 | 6.901 | 17.061 | 10.801 | 24.245 |
| SRHG-130C-685A-O5 | 32.000 | 20.835 | 5.932 | 6.885 | 21.160 | 13.692 | 32.172 |
| SRHG-130C-735A-O5 | 32.000 | | | | | | |
| SRHG-130C-535A-O6 | 32.000 | 27.925 | 7.451 | 8.328 | 8.053 | 2.091 | 1.854 |
| SRHG-130C-585A-O6 | 32.000 | 27.952 | 7.462 | 8.342 | 11.559 | 6.072 | 8.636 |
| SRHG-130C-635A-O6 | 32.000 | 28.003 | 7.482 | 8.369 | 15.390 | 8.862 | 16.045 |
| SRHG-130C-685A-O6 | 32.000 | 27.973 | 7.470 | 8.353 | 19.488 | 11.794 | 23.972 |
| SRHG-130C-735A-O6 | 32.000 | 27.940 | 7.457 | 8.335 | 23.896 | 14.919 | 32.500 |

| 型号 | 最大扭矩 Nm | 最大扭矩 (Nm) | | | | | |
|-------------------|---------|-----------|-------|--------|--------|--------|--------|
| | | BTO | RTO | ETO | BTC | RTC | ETC |
| SRHG-085S-280A-O2 | 9.000 | 2.356 | 1.136 | 1.497 | 1.971 | 845 | 962 |
| SRHG-085S-335A-O2 | 9.000 | 2.335 | 1.122 | 1.474 | 3.499 | 1.820 | 2.632 |
| SRHG-085S-385A-O2 | 9.000 | 2.325 | 1.116 | 1.463 | 5.138 | 2.847 | 4.425 |
| SRHG-085S-435A-O2 | 9.000 | 2.320 | 1.113 | 1.458 | 7.011 | 4.014 | 6.472 |
| SRHG-085S-335A-O3 | 9.000 | 3.797 | 1.810 | 2.355 | 2.607 | 876 | 866 |
| SRHG-085S-385A-O3 | 9.000 | 3.787 | 1.804 | 2.345 | 4.247 | 2.033 | 2.659 |
| SRHG-085S-435A-O3 | 9.000 | 3.782 | 1.801 | 2.339 | 6.120 | 3.217 | 4.706 |
| SRHG-085S-335A-O5 | 9.000 | 4.119 | 2.016 | 2.708 | 2.251 | 497 | 477 |
| SRHG-085S-385A-O5 | 9.000 | 4.110 | 2.010 | 2.697 | 3.890 | 1.805 | 2.269 |
| SRHG-085S-435A-O5 | 9.000 | 4.104 | 2.007 | 2.692 | 5.764 | 2.993 | 4.316 |
| SRHG-085S-385A-O6 | 9.000 | 5.021 | 2.438 | 3.243 | 3.339 | 1.178 | 1.168 |
| SRHG-085S-435A-O6 | 9.000 | 5.015 | 2.434 | 3.237 | 5.212 | 2.479 | 3.216 |
| SRHG-100S-385A-O1 | 18.000 | 6.342 | 2.783 | 3.259 | 4.580 | 988 | 946 |
| SRHG-100S-435A-O1 | 18.000 | 6.336 | 2.779 | 3.252 | 6.809 | 2.944 | 3.382 |
| SRHG-100S-485A-O1 | 18.000 | 6.311 | 2.762 | 3.225 | 9.292 | 4.544 | 6.096 |
| SRHG-100S-535A-O1 | 18.000 | 6.315 | 2.764 | 3.228 | 12.076 | 6.301 | 9.139 |
| SRHG-100S-585A-O1 | 18.000 | 6.315 | 2.764 | 3.228 | 14.161 | 7.454 | 11.231 |
| SRHG-100S-385A-O2 | 18.000 | | | | | | |
| SRHG-100S-435A-O2 | 18.000 | 7.463 | 3.508 | 4.483 | 5.564 | 2.035 | 2.021 |
| SRHG-100S-485A-O2 | 18.000 | 7.438 | 3.492 | 4.456 | 8.047 | 3.748 | 4.735 |
| SRHG-100S-535A-O2 | 18.000 | 7.441 | 3.495 | 4.460 | 10.831 | 5.517 | 7.778 |
| SRHG-100S-585A-O2 | 18.000 | 7.454 | 3.503 | 4.474 | 13.896 | 7.443 | 11.129 |
| SRHG-100S-535A-O3 | 18.000 | 8.736 | 4.386 | 5.400 | 9.626 | 4.560 | 5.876 |
| SRHG-100S-585A-O3 | 18.000 | 8.736 | 4.386 | 5.400 | 12.397 | 6.209 | 8.735 |
| SRHG-100S-535A-O4 | 18.000 | 9.906 | 5.151 | 6.750 | 8.492 | 3.885 | 4.706 |
| SRHG-100S-585A-O4 | 18.000 | 9.906 | 5.151 | 6.750 | 11.263 | 5.534 | 7.565 |
| SRHG-130S-435A-O1 | 32.000 | 9.495 | 4.712 | 6.439 | 6.766 | 2.798 | 3.041 |
| SRHG-130S-485A-O1 | 32.000 | 9.462 | 4.692 | 6.403 | 10.030 | 4.914 | 6.609 |
| SRHG-130S-535A-O1 | 32.000 | 9.466 | 4.694 | 6.408 | 13.690 | 7.222 | 10.610 |
| SRHG-130S-585A-O1 | 32.000 | 9.483 | 4.705 | 6.426 | 17.721 | 9.744 | 15.015 |
| SRHG-130S-635A-O1 | 32.000 | 9.515 | 4.725 | 6.461 | 22.124 | 12.492 | 19.829 |
| SRHG-130S-385A-O2 | 32.000 | | | | | | |
| SRHG-130S-435A-O2 | 32.000 | | | | | | |
| SRHG-130S-485A-O2 | 32.000 | 11.704 | 5.612 | 7.351 | 9.071 | 3.679 | 3.901 |
| SRHG-130S-535A-O2 | 32.000 | 11.708 | 5.615 | 7.356 | 12.731 | 6.073 | 7.901 |
| SRHG-130S-585A-O2 | 32.000 | 11.725 | 5.626 | 7.374 | 16.762 | 8.626 | 12.307 |
| SRHG-130S-635A-O2 | 32.000 | 11.757 | 5.646 | 7.409 | 21.166 | 11.389 | 17.121 |
| SRHG-130S-685A-O2 | 32.000 | 11.738 | 5.634 | 7.388 | 25.878 | 14.334 | 22.271 |
| SRHG-130S-485A-O5 | 32.000 | 12.633 | 6.374 | 8.884 | 7.521 | 2.794 | 2.777 |
| SRHG-130S-535A-O5 | 32.000 | 12.638 | 6.377 | 8.889 | 11.181 | 5.277 | 6.778 |
| SRHG-130S-585A-O5 | 32.000 | 12.655 | 6.388 | 8.908 | 15.211 | 7.832 | 11.184 |
| SRHG-130S-635A-O5 | 32.000 | 12.686 | 6.408 | 8.942 | 19.615 | 10.595 | 15.997 |
| SRHG-130S-685A-O5 | 32.000 | 12.668 | 6.396 | 8.922 | 24.327 | 13.539 | 21.147 |
| SRHG-130S-735A-O5 | 32.000 | 12.647 | 6.383 | 8.899 | 29.395 | 16.700 | 26.688 |
| SRHG-130S-535A-O6 | 32.000 | | | | | | |
| SRHG-130S-585A-O6 | 32.000 | 16.950 | 8.184 | 10.810 | 13.288 | 5.506 | 5.995 |
| SRHG-130S-635A-O6 | 32.000 | 16.981 | 8.204 | 10.844 | 17.692 | 8.380 | 10.809 |
| SRHG-130S-685A-O6 | 32.000 | 16.962 | 8.192 | 10.823 | 22.404 | 11.370 | 15.959 |
| SRHG-130S-735A-O6 | 32.000 | 16.942 | 8.179 | 10.801 | 27.472 | 14.557 | 21.499 |

| 型号 | 最大扭矩 Nm | 5,5 BAR 非对称 - 常开输出扭矩 (Nm) | | | | | |
|-------------------|------------|---------------------------|-------|-------|--------|--------|--------|
| | | BTO | RTO | ETO | BTC | RTC | ETC |
| SRHG-085C-280A-O2 | 9.000 | 3.887 | 1.035 | 1.155 | 2.027 | 1.149 | 2.003 |
| SRHG-085C-335A-O2 | 9.000 | 3.852 | 1.021 | 1.137 | 3.490 | 2.191 | 4.834 |
| SRHG-085C-385A-O2 | 9.000 | 3.836 | 1.015 | 1.129 | 5.060 | 3.299 | 7.870 |
| SRHG-085C-435A-O2 | 9.000 | | | | | | |
| SRHG-085C-385A-O3 | 9.000 | 6.251 | 1.637 | 1.810 | 4.284 | 2.567 | 5.096 |
| SRHG-085C-435A-O3 | 9.000 | | | | | | |
| SRHG-085C-335A-O5 | 9.000 | 6.789 | 1.848 | 2.090 | 2.405 | 1.200 | 1.460 |
| SRHG-085C-385A-O5 | 9.000 | 6.773 | 1.842 | 2.082 | 3.974 | 2.345 | 4.497 |
| SRHG-085C-435A-O5 | 9.000 | 6.765 | 1.839 | 2.078 | 5.767 | 3.618 | 7.964 |
| SRHG-085C-385A-O6 | 9.000 | 8.278 | 2.228 | 2.503 | 3.495 | 1.864 | 2.767 |
| SRHG-085C-435A-O6 | 9.000 | 8.270 | 2.225 | 2.498 | 5.287 | 3.159 | 6.235 |
| SRHG-085C-485A-O6 | 9.000 | | | | | | |
| SRHG-100C-385A-O1 | 18.000 | 10.511 | 2.431 | 2.514 | 4.688 | 2.277 | 2.536 |
| SRHG-100C-435A-O1 | 18.000 | 10.501 | 2.427 | 2.509 | 6.821 | 3.854 | 6.662 |
| SRHG-100C-485A-O1 | 18.000 | 10.460 | 2.410 | 2.488 | 9.199 | 5.559 | 11.261 |
| SRHG-100C-385A-O2 | 18.000 | | | | | | |
| SRHG-100C-435A-O2 | 18.000 | 12.324 | 3.164 | 3.459 | 5.738 | 3.064 | 4.567 |
| SRHG-100C-485A-O2 | 18.000 | 12.284 | 3.148 | 3.438 | 8.116 | 4.786 | 9.166 |
| SRHG-100C-535A-O2 | 18.000 | 12.242 | 3.476 | 3.524 | 10.717 | 6.498 | 13.408 |
| SRHG-100C-585A-O2 | 18.000 | | | | | | |
| SRHG-100C-535A-O3 | 18.000 | 14.390 | 4.172 | 4.228 | 10.030 | 5.844 | 11.385 |
| SRHG-100C-585A-O3 | 18.000 | 14.390 | 4.172 | 4.228 | 12.798 | 7.755 | 16.265 |
| SRHG-100C-535A-O4 | 18.000 | 16.317 | 4.928 | 5.286 | 9.000 | 5.133 | 9.570 |
| SRHG-100C-585A-O4 | 18.000 | 16.317 | 4.928 | 5.286 | 11.768 | 7.044 | 14.449 |
| SRHG-130C-435A-O1 | 32.000 | 15.634 | 4.343 | 4.970 | 7.064 | 3.951 | 6.659 |
| SRHG-130C-485A-O1 | 32.000 | 15.581 | 4.323 | 4.942 | 10.190 | 6.192 | 12.706 |
| SRHG-130C-535A-O1 | 32.000 | 15.588 | 4.325 | 4.946 | 13.691 | 8.671 | 19.478 |
| SRHG-130C-585A-O1 | 32.000 | 15.615 | 4.336 | 4.960 | 17.546 | 11.390 | 26.935 |
| SRHG-130C-635A-O1 | 32.000 | | | | | | |
| SRHG-130C-385A-O2 | 32.000 | | | | | | |
| SRHG-130C-435A-O2 | 32.000 | 19.361 | 5.124 | 5.700 | 6.232 | 2.491 | 2.377 |
| SRHG-130C-485A-O2 | 32.000 | 19.308 | 5.103 | 5.672 | 9.358 | 5.167 | 8.424 |
| SRHG-130C-535A-O2 | 32.000 | 19.315 | 5.106 | 5.676 | 12.859 | 7.689 | 15.196 |
| SRHG-130C-585A-O2 | 32.000 | 19.343 | 5.117 | 5.690 | 16.714 | 10.423 | 22.653 |
| SRHG-130C-635A-O2 | 32.000 | 19.394 | 5.137 | 5.717 | 20.925 | 13.397 | 30.798 |
| SRHG-130C-685A-O2 | 32.000 | | | | | | |
| SRHG-130C-485A-O5 | 32.000 | 20.780 | 5.911 | 6.857 | 8.008 | 4.340 | 6.733 |
| SRHG-130C-535A-O5 | 32.000 | 20.787 | 5.913 | 6.860 | 11.510 | 6.867 | 13.506 |
| SRHG-130C-585A-O5 | 32.000 | 20.814 | 5.924 | 6.875 | 15.365 | 9.602 | 20.963 |
| SRHG-130C-635A-O5 | 32.000 | 20.865 | 5.944 | 6.901 | 19.575 | 12.575 | 29.108 |
| SRHG-130C-685A-O5 | 32.000 | | | | | | |
| SRHG-130C-735A-O5 | 32.000 | | | | | | |
| SRHG-130C-535A-O6 | 32.000 | 27.925 | 7.451 | 8.328 | 9.838 | 4.775 | 5.306 |
| SRHG-130C-585A-O6 | 32.000 | 27.952 | 7.462 | 8.342 | 13.693 | 7.635 | 12.763 |
| SRHG-130C-635A-O6 | 32.000 | 28.003 | 7.482 | 8.369 | 17.904 | 10.667 | 20.908 |
| SRHG-130C-685A-O6 | 32.000 | 27.973 | 7.470 | 8.353 | 22.413 | 13.869 | 29.631 |
| SRHG-130C-735A-O6 | 32.000 | | | | | | |

| 型号 | 最大扭矩 Nm | 最大允许力矩 (N·m) | | | | | |
|-------------------|------------|--------------|-------|--------|--------|--------|--------|
| | | BTO | RTO | ETO | BTC | RTC | ETC |
| SRHG-085S-280A-O2 | 9.000 | 2.356 | 1.136 | 1.497 | 2.330 | 1.079 | 1.355 |
| SRHG-085S-335A-O2 | 9.000 | 2.335 | 1.122 | 1.474 | 4.013 | 2.143 | 3.194 |
| SRHG-085S-385A-O2 | 9.000 | 2.325 | 1.116 | 1.463 | 5.817 | 3.270 | 5.167 |
| SRHG-085S-435A-O2 | 9.000 | 2.320 | 1.113 | 1.458 | 7.878 | 4.554 | 7.420 |
| SRHG-085S-335A-O3 | 9.000 | 3.797 | 1.810 | 2.355 | 3.121 | 1.301 | 1.428 |
| SRHG-085S-385A-O3 | 9.000 | 3.787 | 1.804 | 2.345 | 4.926 | 2.465 | 3.401 |
| SRHG-085S-435A-O3 | 9.000 | 3.782 | 1.801 | 2.339 | 6.987 | 3.760 | 5.654 |
| SRHG-085S-335A-O5 | 9.000 | 4.119 | 2.016 | 2.708 | 2.765 | 1.044 | 1.038 |
| SRHG-085S-385A-O5 | 9.000 | 4.110 | 2.010 | 2.697 | 4.569 | 2.239 | 3.011 |
| SRHG-085S-435A-O5 | 9.000 | 4.104 | 2.007 | 2.692 | 6.630 | 3.537 | 5.264 |
| SRHG-085S-385A-O6 | 9.000 | 5.021 | 2.438 | 3.243 | 4.018 | 1.704 | 1.911 |
| SRHG-085S-435A-O6 | 9.000 | 5.015 | 2.434 | 3.237 | 6.079 | 3.031 | 4.163 |
| SRHG-100S-385A-O1 | 18.000 | 6.342 | 2.783 | 3.259 | 5.388 | 1.848 | 1.829 |
| SRHG-100S-435A-O1 | 18.000 | 6.336 | 2.779 | 3.252 | 7.841 | 3.616 | 4.510 |
| SRHG-100S-485A-O1 | 18.000 | 6.311 | 2.762 | 3.225 | 10.574 | 5.355 | 7.498 |
| SRHG-100S-535A-O1 | 18.000 | 6.315 | 2.764 | 3.228 | 13.636 | 7.280 | 10.844 |
| SRHG-100S-585A-O1 | 18.000 | 6.315 | 2.764 | 3.228 | 15.855 | 8.462 | 12.978 |
| SRHG-100S-385A-O2 | 18.000 | | | | | | |
| SRHG-100S-435A-O2 | 18.000 | 7.463 | 3.508 | 4.483 | 6.596 | 2.802 | 3.149 |
| SRHG-100S-485A-O2 | 18.000 | 7.438 | 3.492 | 4.456 | 9.329 | 4.567 | 6.137 |
| SRHG-100S-535A-O2 | 18.000 | 7.441 | 3.495 | 4.460 | 12.391 | 6.499 | 9.484 |
| SRHG-100S-585A-O2 | 18.000 | 7.441 | 3.495 | 4.460 | 14.847 | 7.862 | 11.938 |
| SRHG-100S-535A-O3 | 18.000 | 8.736 | 4.386 | 5.400 | 11.043 | 5.403 | 7.337 |
| SRHG-100S-585A-O3 | 18.000 | 8.736 | 4.386 | 5.400 | 14.091 | 7.217 | 10.482 |
| SRHG-100S-535A-O4 | 18.000 | 9.906 | 5.151 | 6.750 | 9.909 | 4.728 | 6.167 |
| SRHG-100S-585A-O4 | 18.000 | 9.906 | 5.151 | 6.750 | 12.957 | 6.542 | 9.312 |
| SRHG-130S-435A-O1 | 32.000 | 9.495 | 4.712 | 6.439 | 8.122 | 3.692 | 4.524 |
| SRHG-130S-485A-O1 | 32.000 | 9.462 | 4.692 | 6.403 | 11.716 | 5.980 | 8.452 |
| SRHG-130S-535A-O1 | 32.000 | 9.466 | 4.694 | 6.408 | 15.741 | 8.507 | 12.852 |
| SRHG-130S-585A-O1 | 32.000 | 9.483 | 4.705 | 6.426 | 20.174 | 11.275 | 17.697 |
| SRHG-130S-635A-O1 | 32.000 | 9.515 | 4.725 | 6.461 | 25.015 | 14.293 | 22.988 |
| SRHG-130S-385A-O2 | 32.000 | | | | | | |
| SRHG-130S-435A-O2 | 32.000 | 11.737 | 5.633 | 7.387 | 7.163 | 1.867 | 1.815 |
| SRHG-130S-485A-O2 | 32.000 | 11.704 | 5.612 | 7.351 | 10.757 | 4.800 | 5.743 |
| SRHG-130S-535A-O2 | 32.000 | 11.708 | 5.615 | 7.356 | 14.783 | 7.376 | 10.144 |
| SRHG-130S-585A-O2 | 32.000 | 11.725 | 5.626 | 7.374 | 19.215 | 10.167 | 14.988 |
| SRHG-130S-635A-O2 | 32.000 | 11.757 | 5.646 | 7.409 | 24.056 | 13.196 | 20.280 |
| SRHG-130S-685A-O2 | 32.000 | 11.738 | 5.634 | 7.388 | 29.241 | 16.432 | 25.947 |
| SRHG-130S-485A-O5 | 32.000 | 12.633 | 6.374 | 8.884 | 9.207 | 3.998 | 4.620 |
| SRHG-130S-535A-O5 | 32.000 | 12.638 | 6.377 | 8.889 | 13.232 | 6.583 | 9.020 |
| SRHG-130S-585A-O5 | 32.000 | 12.655 | 6.388 | 8.908 | 17.664 | 9.373 | 13.865 |
| SRHG-130S-635A-O5 | 32.000 | 12.686 | 6.408 | 8.942 | 22.505 | 12.402 | 19.156 |
| SRHG-130S-685A-O5 | 32.000 | 12.668 | 6.396 | 8.922 | 27.690 | 15.637 | 24.824 |
| SRHG-130S-735A-O5 | 32.000 | 12.647 | 6.383 | 8.899 | 33.268 | 19.111 | 30.920 |
| SRHG-130S-535A-O6 | 32.000 | 16.933 | 8.173 | 10.791 | 11.309 | 3.871 | 3.832 |
| SRHG-130S-585A-O6 | 32.000 | 16.950 | 8.184 | 10.810 | 15.741 | 7.124 | 8.676 |
| SRHG-130S-635A-O6 | 32.000 | 16.981 | 8.204 | 10.844 | 20.582 | 10.219 | 13.968 |
| SRHG-130S-685A-O6 | 32.000 | 16.962 | 8.192 | 10.823 | 25.767 | 13.487 | 19.635 |
| SRHG-130S-735A-O6 | 32.000 | 16.942 | 8.179 | 10.801 | 31.344 | 16.983 | 25.732 |

| 型号 | 最大扭矩 Nm | 6 BAR 非对称 - 常开输出扭矩 (Nm) | | | | | |
|-------------------|------------|-------------------------|-------|-------|--------|--------|--------|
| | | BTO | RTO | ETO | BTC | RTC | ETC |
| SRHG-085C-280A-O2 | 9.000 | 3.887 | 1.035 | 1.155 | 2.339 | 1.374 | 2.607 |
| SRHG-085C-335A-O2 | 9.000 | 3.852 | 1.021 | 1.137 | 3.938 | 2.507 | 5.699 |
| SRHG-085C-385A-O2 | 9.000 | | | | | | |
| SRHG-085C-435A-O2 | 9.000 | | | | | | |
| SRHG-085C-385A-O3 | 9.000 | 6.251 | 1.637 | 1.810 | 4.875 | 2.986 | 6.239 |
| SRHG-085C-435A-O3 | 9.000 | | | | | | |
| SRHG-085C-335A-O5 | 9.000 | 6.789 | 1.848 | 2.090 | 2.852 | 1.533 | 2.325 |
| SRHG-085C-385A-O5 | 9.000 | 6.773 | 1.842 | 2.082 | 4.565 | 2.766 | 5.639 |
| SRHG-085C-435A-O5 | 9.000 | | | | | | |
| SRHG-085C-385A-O6 | 9.000 | 8.278 | 2.228 | 2.503 | 4.085 | 2.295 | 3.910 |
| SRHG-085C-435A-O6 | 9.000 | 8.270 | 2.225 | 2.498 | 6.041 | 3.695 | 7.693 |
| SRHG-085C-485A-O6 | 9.000 | | | | | | |
| SRHG-100C-385A-O1 | 18.000 | 10.511 | 2.431 | 2.514 | 5.391 | 2.807 | 3.895 |
| SRHG-100C-435A-O1 | 18.000 | 10.501 | 2.427 | 2.509 | 7.718 | 4.501 | 8.397 |
| SRHG-100C-485A-O1 | 18.000 | 10.460 | 2.410 | 2.488 | 10.314 | 6.350 | 13.418 |
| SRHG-100C-385A-O2 | 18.000 | 12.334 | 3.168 | 3.464 | 4.308 | 1.867 | 1.800 |
| SRHG-100C-435A-O2 | 18.000 | 12.324 | 3.164 | 3.459 | 6.636 | 3.720 | 6.303 |
| SRHG-100C-485A-O2 | 18.000 | 12.284 | 3.148 | 3.438 | 9.231 | 5.582 | 11.323 |
| SRHG-100C-535A-O2 | 18.000 | 12.242 | 3.476 | 3.524 | 12.003 | 7.386 | 15.676 |
| SRHG-100C-585A-O2 | 18.000 | | | | | | |
| SRHG-100C-535A-O3 | 18.000 | 14.390 | 4.172 | 4.228 | 11.316 | 6.732 | 13.653 |
| SRHG-100C-585A-O3 | 18.000 | | | | | | |
| SRHG-100C-535A-O4 | 18.000 | 16.317 | 4.928 | 5.286 | 10.286 | 6.021 | 11.837 |
| SRHG-100C-585A-O4 | 18.000 | 16.317 | 4.928 | 5.286 | 13.306 | 8.106 | 17.160 |
| SRHG-130C-435A-O1 | 32.000 | 15.634 | 4.343 | 4.970 | 8.244 | 4.803 | 8.941 |
| SRHG-130C-485A-O1 | 32.000 | 15.581 | 4.323 | 4.942 | 11.656 | 7.232 | 15.542 |
| SRHG-130C-535A-O1 | 32.000 | 15.588 | 4.325 | 4.946 | 15.476 | 9.930 | 22.930 |
| SRHG-130C-585A-O1 | 32.000 | 15.615 | 4.336 | 4.960 | 19.680 | 12.892 | 31.062 |
| SRHG-130C-635A-O1 | 32.000 | | | | | | |
| SRHG-130C-385A-O2 | 32.000 | | | | | | |
| SRHG-130C-435A-O2 | 32.000 | 19.361 | 5.124 | 5.700 | 7.412 | 3.729 | 4.659 |
| SRHG-130C-485A-O2 | 32.000 | 19.308 | 5.103 | 5.672 | 10.824 | 6.229 | 11.260 |
| SRHG-130C-535A-O2 | 32.000 | 19.315 | 5.106 | 5.676 | 14.643 | 8.956 | 18.648 |
| SRHG-130C-585A-O2 | 32.000 | 19.343 | 5.117 | 5.690 | 18.848 | 11.932 | 26.780 |
| SRHG-130C-635A-O2 | 32.000 | | | | | | |
| SRHG-130C-685A-O2 | 32.000 | | | | | | |
| SRHG-130C-485A-O5 | 32.000 | 20.780 | 5.911 | 6.857 | 9.475 | 5.406 | 9.570 |
| SRHG-130C-535A-O5 | 32.000 | 20.787 | 5.913 | 6.860 | 13.294 | 8.135 | 16.957 |
| SRHG-130C-585A-O5 | 32.000 | 20.814 | 5.924 | 6.875 | 17.498 | 11.110 | 25.090 |
| SRHG-130C-635A-O5 | 32.000 | 20.865 | 5.944 | 6.901 | 22.089 | 14.347 | 33.970 |
| SRHG-130C-685A-O5 | 32.000 | | | | | | |
| SRHG-130C-735A-O5 | 32.000 | | | | | | |
| SRHG-130C-535A-O6 | 32.000 | 27.925 | 7.451 | 8.328 | 11.622 | 6.119 | 8.758 |
| SRHG-130C-585A-O6 | 32.000 | 27.952 | 7.462 | 8.342 | 15.826 | 9.177 | 16.890 |
| SRHG-130C-635A-O6 | 32.000 | 28.003 | 7.482 | 8.369 | 20.417 | 12.454 | 25.770 |
| SRHG-130C-685A-O6 | 32.000 | | | | | | |
| SRHG-130C-735A-O6 | 32.000 | | | | | | |

| 型号 | 取力矩 Nm | 最大扭矩 (Nm) | | | | | |
|-------------------|--------|-----------|-------|--------|--------|--------|--------|
| | | BTO | RTO | ETO | BTC | RTC | ETC |
| SRHG-085S-280A-O2 | 9.000 | 2.356 | 1.136 | 1.497 | 2.689 | 1.309 | 1.747 |
| SRHG-085S-335A-O2 | 9.000 | 2.335 | 1.122 | 1.474 | 4.527 | 2.465 | 3.756 |
| SRHG-085S-385A-O2 | 9.000 | 2.325 | 1.116 | 1.463 | 6.496 | 3.694 | 5.909 |
| SRHG-085S-435A-O2 | 9.000 | 2.320 | 1.113 | 1.458 | 8.745 | 5.094 | 8.367 |
| SRHG-085S-335A-O3 | 9.000 | 3.797 | 1.810 | 2.355 | 3.636 | 1.640 | 1.990 |
| SRHG-085S-385A-O3 | 9.000 | 3.787 | 1.804 | 2.345 | 5.605 | 2.893 | 4.143 |
| SRHG-085S-435A-O3 | 9.000 | 3.782 | 1.801 | 2.339 | 7.854 | 4.302 | 6.601 |
| SRHG-085S-335A-O5 | 9.000 | 4.119 | 2.016 | 2.708 | 3.279 | 1.406 | 1.600 |
| SRHG-085S-385A-O5 | 9.000 | 4.110 | 2.010 | 2.697 | 5.249 | 2.668 | 3.753 |
| SRHG-085S-435A-O5 | 9.000 | 4.104 | 2.007 | 2.692 | 7.497 | 4.079 | 6.211 |
| SRHG-085S-385A-O6 | 9.000 | 5.021 | 2.438 | 3.243 | 4.697 | 2.149 | 2.653 |
| SRHG-085S-435A-O6 | 9.000 | 5.015 | 2.434 | 3.237 | 6.946 | 3.578 | 5.111 |
| SRHG-100S-385A-O1 | 18.000 | 6.342 | 2.783 | 3.259 | 6.196 | 2.533 | 2.713 |
| SRHG-100S-435A-O1 | 18.000 | 6.336 | 2.779 | 3.252 | 8.872 | 4.277 | 5.638 |
| SRHG-100S-485A-O1 | 18.000 | 6.311 | 2.762 | 3.225 | 11.857 | 6.163 | 8.899 |
| SRHG-100S-535A-O1 | 18.000 | | | | | | |
| SRHG-100S-585A-O1 | 18.000 | | | | | | |
| SRHG-100S-385A-O2 | 18.000 | 7.469 | 3.512 | 4.490 | 4.951 | 1.383 | 1.352 |
| SRHG-100S-435A-O2 | 18.000 | 7.463 | 3.508 | 4.483 | 7.627 | 3.478 | 4.277 |
| SRHG-100S-485A-O2 | 18.000 | 7.438 | 3.492 | 4.456 | 10.612 | 5.379 | 7.539 |
| SRHG-100S-535A-O2 | 18.000 | 7.441 | 3.495 | 4.460 | 13.951 | 7.477 | 11.189 |
| SRHG-100S-585A-O2 | 18.000 | 7.441 | 3.495 | 4.460 | 16.540 | 8.870 | 13.685 |
| SRHG-100S-535A-O3 | 18.000 | 8.736 | 4.386 | 5.400 | 12.459 | 6.246 | 8.798 |
| SRHG-100S-585A-O3 | 18.000 | 8.736 | 4.386 | 5.400 | 15.784 | 8.225 | 12.229 |
| SRHG-100S-535A-O4 | 18.000 | 9.906 | 5.151 | 6.750 | 11.325 | 5.571 | 7.628 |
| SRHG-100S-585A-O4 | 18.000 | 9.906 | 5.151 | 6.750 | 14.650 | 7.550 | 11.059 |
| SRHG-130S-435A-O1 | 32.000 | 9.495 | 4.712 | 6.439 | 9.478 | 4.563 | 6.006 |
| SRHG-130S-485A-O1 | 32.000 | 9.462 | 4.692 | 6.403 | 13.402 | 7.041 | 10.295 |
| SRHG-130S-535A-O1 | 32.000 | 9.466 | 4.694 | 6.408 | 17.793 | 9.789 | 15.094 |
| SRHG-130S-585A-O1 | 32.000 | 9.483 | 4.705 | 6.426 | 22.626 | 12.805 | 20.378 |
| SRHG-130S-635A-O1 | 32.000 | 9.515 | 4.725 | 6.461 | 27.905 | 16.093 | 26.147 |
| SRHG-130S-385A-O2 | 32.000 | | | | | | |
| SRHG-130S-435A-O2 | 32.000 | 11.737 | 5.633 | 7.387 | 8.520 | 3.292 | 3.298 |
| SRHG-130S-485A-O2 | 32.000 | 11.704 | 5.612 | 7.351 | 12.443 | 5.888 | 7.586 |
| SRHG-130S-535A-O2 | 32.000 | 11.708 | 5.615 | 7.356 | 16.834 | 8.671 | 12.386 |
| SRHG-130S-585A-O2 | 32.000 | 11.725 | 5.626 | 7.374 | 21.668 | 11.704 | 17.669 |
| SRHG-130S-635A-O2 | 32.000 | 11.757 | 5.646 | 7.409 | 26.946 | 15.001 | 23.439 |
| SRHG-130S-685A-O2 | 32.000 | 11.738 | 5.634 | 7.388 | 32.604 | 18.529 | 29.623 |
| SRHG-130S-485A-O5 | 32.000 | 12.633 | 6.374 | 8.884 | 10.893 | 5.093 | 6.463 |
| SRHG-130S-535A-O5 | 32.000 | 12.638 | 6.377 | 8.889 | 15.284 | 7.878 | 11.263 |
| SRHG-130S-585A-O5 | 32.000 | 12.655 | 6.388 | 8.908 | 20.117 | 10.909 | 16.546 |
| SRHG-130S-635A-O5 | 32.000 | 12.686 | 6.408 | 8.942 | 25.395 | 14.205 | 22.316 |
| SRHG-130S-685A-O5 | 32.000 | 12.668 | 6.396 | 8.922 | 31.053 | 17.732 | 28.500 |
| SRHG-130S-735A-O5 | 32.000 | | | | | | |
| SRHG-130S-535A-O6 | 32.000 | 16.933 | 8.173 | 10.791 | 13.360 | 5.555 | 6.074 |
| SRHG-130S-585A-O6 | 32.000 | 16.950 | 8.184 | 10.810 | 18.194 | 8.701 | 11.357 |
| SRHG-130S-635A-O6 | 32.000 | 16.981 | 8.204 | 10.844 | 23.472 | 12.045 | 17.127 |
| SRHG-130S-685A-O6 | 32.000 | 16.962 | 8.192 | 10.823 | 29.130 | 15.596 | 23.311 |
| SRHG-130S-735A-O6 | 32.000 | | | | | | |

| 型号 | 最大扭矩 Nm | 7 BAR 非对称 - 常开输出扭矩 (Nm) | | | | | |
|-------------------|---------|-------------------------|-------|-------|--------|--------|--------|
| | | BTO | RTO | ETO | BTC | RTC | ETC |
| SRHG-085C-280A-O2 | 9.000 | 3.887 | 1.035 | 1.155 | 2.964 | 1.819 | 3.816 |
| SRHG-085C-335A-O2 | 9.000 | 3.852 | 1.021 | 1.137 | 4.832 | 3.138 | 7.429 |
| SRHG-085C-385A-O2 | 9.000 | | | | | | |
| SRHG-085C-435A-O2 | 9.000 | | | | | | |
| SRHG-085C-385A-O3 | 9.000 | 6.251 | 1.637 | 1.810 | 6.056 | 3.822 | 8.524 |
| SRHG-085C-435A-O3 | 9.000 | | | | | | |
| SRHG-085C-335A-O5 | 9.000 | 6.789 | 1.848 | 2.090 | 3.746 | 2.181 | 4.055 |
| SRHG-085C-385A-O5 | 9.000 | 6.773 | 1.842 | 2.082 | 5.746 | 3.603 | 7.924 |
| SRHG-085C-435A-O5 | 9.000 | | | | | | |
| SRHG-085C-385A-O6 | 9.000 | 8.278 | 2.228 | 2.503 | 5.267 | 3.144 | 6.195 |
| SRHG-085C-435A-O6 | 9.000 | | | | | | |
| SRHG-085C-485A-O6 | 9.000 | | | | | | |
| SRHG-100C-385A-O1 | 18.000 | 10.511 | 2.431 | 2.514 | 6.797 | 3.836 | 6.614 |
| SRHG-100C-435A-O1 | 18.000 | 10.501 | 2.427 | 2.509 | 9.513 | 5.782 | 11.869 |
| SRHG-100C-485A-O1 | 18.000 | | | | | | |
| SRHG-100C-385A-O2 | 18.000 | 12.334 | 3.168 | 3.464 | 5.714 | 3.046 | 4.519 |
| SRHG-100C-435A-O2 | 18.000 | 12.324 | 3.164 | 3.459 | 8.430 | 5.012 | 9.774 |
| SRHG-100C-485A-O2 | 18.000 | | | | | | |
| SRHG-100C-535A-O2 | 18.000 | | | | | | |
| SRHG-100C-585A-O2 | 18.000 | | | | | | |
| SRHG-100C-535A-O3 | 18.000 | | | | | | |
| SRHG-100C-585A-O3 | 18.000 | | | | | | |
| SRHG-100C-535A-O4 | 18.000 | 16.317 | 4.928 | 5.286 | 12.859 | 7.797 | 16.372 |
| SRHG-100C-585A-O4 | 18.000 | | | | | | |
| SRHG-130C-435A-O1 | 32.000 | 15.634 | 4.343 | 4.970 | 10.603 | 6.485 | 13.505 |
| SRHG-130C-485A-O1 | 32.000 | 15.581 | 4.323 | 4.942 | 14.589 | 9.305 | 21.215 |
| SRHG-130C-535A-O1 | 32.000 | 15.588 | 4.325 | 4.946 | 19.045 | 12.445 | 29.833 |
| SRHG-130C-585A-O1 | 32.000 | | | | | | |
| SRHG-130C-635A-O1 | 32.000 | | | | | | |
| SRHG-130C-385A-O2 | 32.000 | 19.375 | 5.129 | 5.707 | 6.200 | 2.431 | 2.315 |
| SRHG-130C-435A-O2 | 32.000 | 19.361 | 5.124 | 5.700 | 9.771 | 5.468 | 9.223 |
| SRHG-130C-485A-O2 | 32.000 | 19.308 | 5.103 | 5.672 | 13.757 | 8.328 | 16.934 |
| SRHG-130C-535A-O2 | 32.000 | 19.315 | 5.106 | 5.676 | 18.212 | 11.483 | 25.551 |
| SRHG-130C-585A-O2 | 32.000 | | | | | | |
| SRHG-130C-635A-O2 | 32.000 | | | | | | |
| SRHG-130C-685A-O2 | 32.000 | | | | | | |
| SRHG-130C-485A-O5 | 32.000 | 20.780 | 5.911 | 6.857 | 12.408 | 7.506 | 15.243 |
| SRHG-130C-535A-O5 | 32.000 | 20.787 | 5.913 | 6.860 | 16.863 | 10.661 | 23.861 |
| SRHG-130C-585A-O5 | 32.000 | 20.814 | 5.924 | 6.875 | 21.765 | 14.119 | 33.344 |
| SRHG-130C-635A-O5 | 32.000 | | | | | | |
| SRHG-130C-685A-O5 | 32.000 | | | | | | |
| SRHG-130C-735A-O5 | 32.000 | | | | | | |
| SRHG-130C-535A-O6 | 32.000 | 27.925 | 7.451 | 8.328 | 15.191 | 8.719 | 15.661 |
| SRHG-130C-585A-O6 | 32.000 | 27.952 | 7.462 | 8.342 | 20.093 | 12.224 | 25.144 |
| SRHG-130C-635A-O6 | 32.000 | | | | | | |
| SRHG-130C-685A-O6 | 32.000 | | | | | | |
| SRHG-130C-735A-O6 | 32.000 | | | | | | |

| 型号 | 最大扭矩 Nm | 最大行程 (mm) | | | | | |
|-------------------|---------|-----------|-------|--------|--------|--------|--------|
| | | BTO | RTO | ETO | BTC | RTC | ETC |
| SRHG-085S-280A-O2 | 9.000 | 2.356 | 1.136 | 1.497 | 3.407 | 1.763 | 2.533 |
| SRHG-085S-335A-O2 | 9.000 | 2.335 | 1.122 | 1.474 | 5.555 | 3.107 | 4.880 |
| SRHG-085S-385A-O2 | 9.000 | 2.325 | 1.116 | 1.463 | 7.855 | 4.539 | 7.394 |
| SRHG-085S-435A-O2 | 9.000 | | | | | | |
| SRHG-085S-335A-O3 | 9.000 | 3.797 | 1.810 | 2.355 | 4.664 | 2.299 | 3.114 |
| SRHG-085S-385A-O3 | 9.000 | 3.787 | 1.804 | 2.345 | 6.963 | 3.745 | 5.628 |
| SRHG-085S-435A-O3 | 9.000 | 3.782 | 1.801 | 2.339 | 9.588 | 5.384 | 8.496 |
| SRHG-085S-335A-O5 | 9.000 | 4.119 | 2.016 | 2.708 | 4.307 | 2.072 | 2.724 |
| SRHG-085S-385A-O5 | 9.000 | 4.110 | 2.010 | 2.697 | 6.607 | 3.522 | 5.238 |
| SRHG-085S-435A-O5 | 9.000 | 4.104 | 2.007 | 2.692 | 9.231 | 5.162 | 8.106 |
| SRHG-085S-385A-O6 | 9.000 | 5.021 | 2.438 | 3.243 | 6.055 | 3.016 | 4.137 |
| SRHG-085S-435A-O6 | 9.000 | 5.015 | 2.434 | 3.237 | 8.680 | 4.666 | 7.006 |
| SRHG-100S-385A-O1 | 18.000 | 6.342 | 2.783 | 3.259 | 7.813 | 3.598 | 4.479 |
| SRHG-100S-435A-O1 | 18.000 | 6.336 | 2.779 | 3.252 | 10.936 | 5.583 | 7.893 |
| SRHG-100S-485A-O1 | 18.000 | | | | | | |
| SRHG-100S-535A-O1 | 18.000 | | | | | | |
| SRHG-100S-585A-O1 | 18.000 | | | | | | |
| SRHG-100S-385A-O2 | 18.000 | 7.469 | 3.512 | 4.490 | 6.567 | 2.783 | 3.118 |
| SRHG-100S-435A-O2 | 18.000 | 7.463 | 3.508 | 4.483 | 9.690 | 4.796 | 6.532 |
| SRHG-100S-485A-O2 | 18.000 | 7.438 | 3.492 | 4.456 | 13.176 | 6.991 | 10.342 |
| SRHG-100S-535A-O2 | 18.000 | | | | | | |
| SRHG-100S-585A-O2 | 18.000 | | | | | | |
| SRHG-100S-535A-O3 | 18.000 | 8.736 | 4.386 | 5.400 | 15.291 | 7.932 | 11.721 |
| SRHG-100S-585A-O3 | 18.000 | | | | | | |
| SRHG-100S-535A-O4 | 18.000 | 9.906 | 5.151 | 6.750 | 14.157 | 7.257 | 10.551 |
| SRHG-100S-585A-O4 | 18.000 | | | | | | |
| SRHG-130S-435A-O1 | 32.000 | 9.495 | 4.712 | 6.439 | 12.191 | 6.280 | 8.971 |
| SRHG-130S-485A-O1 | 32.000 | 9.462 | 4.692 | 6.403 | 16.774 | 9.152 | 13.981 |
| SRHG-130S-535A-O1 | 32.000 | 9.466 | 4.694 | 6.408 | 21.896 | 12.350 | 19.579 |
| SRHG-130S-585A-O1 | 32.000 | 9.483 | 4.705 | 6.426 | 27.532 | 15.861 | 25.740 |
| SRHG-130S-635A-O1 | 32.000 | 9.515 | 4.725 | 6.461 | 33.685 | 19.691 | 32.466 |
| SRHG-130S-385A-O2 | 32.000 | 11.745 | 5.639 | 7.396 | 7.126 | 1.827 | 1.775 |
| SRHG-130S-435A-O2 | 32.000 | 11.737 | 5.633 | 7.387 | 11.232 | 5.109 | 6.263 |
| SRHG-130S-485A-O2 | 32.000 | 11.704 | 5.612 | 7.351 | 15.815 | 8.029 | 11.272 |
| SRHG-130S-535A-O2 | 32.000 | 11.708 | 5.615 | 7.356 | 20.937 | 11.246 | 16.871 |
| SRHG-130S-585A-O2 | 32.000 | 11.725 | 5.626 | 7.374 | 26.574 | 14.769 | 23.032 |
| SRHG-130S-635A-O2 | 32.000 | 11.757 | 5.646 | 7.409 | 32.727 | 18.606 | 29.757 |
| SRHG-130S-685A-O2 | 32.000 | 11.738 | 5.634 | 7.388 | 39.330 | 22.718 | 36.976 |
| SRHG-130S-485A-O5 | 32.000 | 12.633 | 6.374 | 8.884 | 14.265 | 7.236 | 10.149 |
| SRHG-130S-535A-O5 | 32.000 | 12.638 | 6.377 | 8.889 | 19.387 | 10.452 | 15.748 |
| SRHG-130S-585A-O5 | 32.000 | 12.655 | 6.388 | 8.908 | 25.023 | 13.973 | 21.908 |
| SRHG-130S-635A-O5 | 32.000 | 12.686 | 6.408 | 8.942 | 31.176 | 17.808 | 28.634 |
| SRHG-130S-685A-O5 | 32.000 | | | | | | |
| SRHG-130S-735A-O5 | 32.000 | | | | | | |
| SRHG-130S-535A-O6 | 32.000 | 16.933 | 8.173 | 10.791 | 17.464 | 8.234 | 10.559 |
| SRHG-130S-585A-O6 | 32.000 | 16.950 | 8.184 | 10.810 | 23.100 | 11.810 | 16.720 |
| SRHG-130S-635A-O6 | 32.000 | 16.981 | 8.204 | 10.844 | 29.253 | 15.673 | 23.445 |
| SRHG-130S-685A-O6 | 32.000 | | | | | | |
| SRHG-130S-735A-O6 | 32.000 | | | | | | |

| 型号 | 最大扭矩 Nm | 8,5 BAR 对称 - 常开输出扭矩 (Nm) | | | | | |
|-------------------|------------|--------------------------|-------|-------|--------|--------|--------|
| | | BTO | RTO | ETO | BTC | RTC | ETC |
| SRHG-085C-280A-O2 | 9.000 | 3.887 | 1.035 | 1.155 | 3.901 | 2.482 | 5.629 |
| SRHG-085C-335A-O2 | 9.000 | | | | | | |
| SRHG-085C-385A-O2 | 9.000 | | | | | | |
| SRHG-085C-435A-O2 | 9.000 | | | | | | |
| SRHG-085C-385A-O3 | 9.000 | | | | | | |
| SRHG-085C-435A-O3 | 9.000 | | | | | | |
| SRHG-085C-335A-O5 | 9.000 | 6.789 | 1.848 | 2.090 | 5.088 | 3.137 | 6.650 |
| SRHG-085C-385A-O5 | 9.000 | | | | | | |
| SRHG-085C-435A-O5 | 9.000 | | | | | | |
| SRHG-085C-385A-O6 | 9.000 | | | | | | |
| SRHG-085C-435A-O6 | 9.000 | | | | | | |
| SRHG-085C-485A-O6 | 9.000 | | | | | | |
| SRHG-100C-385A-O1 | 18.000 | 10.511 | 2.431 | 2.514 | 8.905 | 5.350 | 10.693 |
| SRHG-100C-435A-O1 | 18.000 | | | | | | |
| SRHG-100C-485A-O1 | 18.000 | | | | | | |
| SRHG-100C-385A-O2 | 18.000 | 12.334 | 3.168 | 3.464 | 7.822 | 4.576 | 8.598 |
| SRHG-100C-435A-O2 | 18.000 | | | | | | |
| SRHG-100C-485A-O2 | 18.000 | | | | | | |
| SRHG-100C-535A-O2 | 18.000 | | | | | | |
| SRHG-100C-585A-O2 | 18.000 | | | | | | |
| SRHG-100C-535A-O3 | 18.000 | | | | | | |
| SRHG-100C-585A-O3 | 18.000 | | | | | | |
| SRHG-100C-535A-O4 | 18.000 | | | | | | |
| SRHG-100C-585A-O4 | 18.000 | | | | | | |
| SRHG-130C-435A-O1 | 32.000 | 15.634 | 4.343 | 4.970 | 14.142 | 8.989 | 20.350 |
| SRHG-130C-485A-O1 | 32.000 | 15.581 | 4.323 | 4.942 | 18.989 | 12.406 | 29.725 |
| SRHG-130C-535A-O1 | 32.000 | | | | | | |
| SRHG-130C-585A-O1 | 32.000 | | | | | | |
| SRHG-130C-635A-O1 | 32.000 | | | | | | |
| SRHG-130C-385A-O2 | 32.000 | 19.375 | 5.129 | 5.707 | 8.972 | 4.885 | 7.677 |
| SRHG-130C-435A-O2 | 32.000 | 19.361 | 5.124 | 5.700 | 13.310 | 8.009 | 16.069 |
| SRHG-130C-485A-O2 | 32.000 | 19.308 | 5.103 | 5.672 | 18.156 | 11.443 | 25.443 |
| SRHG-130C-535A-O2 | 32.000 | | | | | | |
| SRHG-130C-585A-O2 | 32.000 | | | | | | |
| SRHG-130C-635A-O2 | 32.000 | | | | | | |
| SRHG-130C-685A-O2 | 32.000 | | | | | | |
| SRHG-130C-485A-O5 | 32.000 | 20.780 | 5.911 | 6.857 | 16.807 | 10.621 | 23.753 |
| SRHG-130C-535A-O5 | 32.000 | 20.787 | 5.913 | 6.860 | 22.216 | 14.437 | 34.216 |
| SRHG-130C-585A-O5 | 32.000 | | | | | | |
| SRHG-130C-635A-O5 | 32.000 | | | | | | |
| SRHG-130C-685A-O5 | 32.000 | | | | | | |
| SRHG-130C-735A-O5 | 32.000 | | | | | | |
| SRHG-130C-535A-O6 | 32.000 | 27.925 | 7.451 | 8.328 | 20.544 | 12.544 | 26.016 |
| SRHG-130C-585A-O6 | 32.000 | | | | | | |
| SRHG-130C-635A-O6 | 32.000 | | | | | | |
| SRHG-130C-685A-O6 | 32.000 | | | | | | |
| SRHG-130C-735A-O6 | 32.000 | | | | | | |

| 型号 | 最大扭矩 Nm | 8,5 BAR 非对称 - 常开输出扭矩 (Nm) | | | | | |
|----|------------|---------------------------|--|--|--|--|--|
| | | | | | | | |

| | | | | | | | |
|-------------------|--------|--------|-------|--------|--------|--------|--------|
| SRHG-085S-280A-O2 | 9.000 | 2.356 | 1.136 | 1.497 | 4.485 | 2.439 | 3.710 |
| SRHG-085S-335A-O2 | 9.000 | 2.335 | 1.122 | 1.474 | 7.098 | 4.068 | 6.566 |
| SRHG-085S-385A-O2 | 9.000 | 2.325 | 1.116 | 1.463 | 9.892 | 5.807 | 9.620 |
| SRHG-085S-435A-O2 | 9.000 | | | | | | |
| SRHG-085S-335A-O3 | 9.000 | 3.797 | 1.810 | 2.355 | 6.206 | 3.271 | 4.800 |
| SRHG-085S-385A-O3 | 9.000 | 3.787 | 1.804 | 2.345 | 9.000 | 5.018 | 7.854 |
| SRHG-085S-435A-O3 | 9.000 | | | | | | |
| SRHG-085S-335A-O5 | 9.000 | 4.119 | 2.016 | 2.708 | 5.850 | 3.047 | 4.410 |
| SRHG-085S-385A-O5 | 9.000 | 4.110 | 2.010 | 2.697 | 8.644 | 4.796 | 7.465 |
| SRHG-085S-435A-O5 | 9.000 | | | | | | |
| SRHG-085S-385A-O6 | 9.000 | 5.021 | 2.438 | 3.243 | 8.093 | 4.298 | 6.364 |
| SRHG-085S-435A-O6 | 9.000 | | | | | | |
| SRHG-100S-385A-O1 | 18.000 | 6.342 | 2.783 | 3.259 | 10.237 | 5.142 | 7.129 |
| SRHG-100S-435A-O1 | 18.000 | | | | | | |
| SRHG-100S-485A-O1 | 18.000 | | | | | | |
| SRHG-100S-535A-O1 | 18.000 | | | | | | |
| SRHG-100S-585A-O1 | 18.000 | | | | | | |
| SRHG-100S-385A-O2 | 18.000 | 7.469 | 3.512 | 4.490 | 8.992 | 4.353 | 5.768 |
| SRHG-100S-435A-O2 | 18.000 | 7.463 | 3.508 | 4.483 | 12.785 | 6.746 | 9.915 |
| SRHG-100S-485A-O2 | 18.000 | | | | | | |
| SRHG-100S-535A-O2 | 18.000 | | | | | | |
| SRHG-100S-585A-O2 | 18.000 | | | | | | |
| SRHG-100S-535A-O3 | 18.000 | | | | | | |
| SRHG-100S-585A-O3 | 18.000 | | | | | | |
| SRHG-100S-535A-O4 | 18.000 | | | | | | |
| SRHG-100S-585A-O4 | 18.000 | | | | | | |
| SRHG-130S-435A-O1 | 32.000 | 9.495 | 4.712 | 6.439 | 16.260 | 8.831 | 13.419 |
| SRHG-130S-485A-O1 | 32.000 | 9.462 | 4.692 | 6.403 | 21.832 | 12.310 | 19.509 |
| SRHG-130S-535A-O1 | 32.000 | 9.466 | 4.694 | 6.408 | 28.051 | 16.183 | 26.307 |
| SRHG-130S-585A-O1 | 32.000 | 9.483 | 4.705 | 6.426 | 34.891 | 20.441 | 33.784 |
| SRHG-130S-635A-O1 | 32.000 | | | | | | |
| SRHG-130S-385A-O2 | 32.000 | 11.745 | 5.639 | 7.396 | 10.314 | 4.510 | 5.258 |
| SRHG-130S-435A-O2 | 32.000 | 11.737 | 5.633 | 7.387 | 15.301 | 7.704 | 10.710 |
| SRHG-130S-485A-O2 | 32.000 | 11.704 | 5.612 | 7.351 | 20.873 | 11.206 | 16.801 |
| SRHG-130S-535A-O2 | 32.000 | 11.708 | 5.615 | 7.356 | 27.092 | 15.092 | 23.598 |
| SRHG-130S-585A-O2 | 32.000 | 11.725 | 5.626 | 7.374 | 33.933 | 19.357 | 31.075 |
| SRHG-130S-635A-O2 | 32.000 | | | | | | |
| SRHG-130S-685A-O2 | 32.000 | 11.738 | 5.634 | 7.388 | 49.420 | 28.997 | 48.004 |
| SRHG-130S-485A-O5 | 32.000 | 12.633 | 6.374 | 8.884 | 19.323 | 10.412 | 15.677 |
| SRHG-130S-535A-O5 | 32.000 | 12.638 | 6.377 | 8.889 | 25.541 | 14.296 | 22.475 |
| SRHG-130S-585A-O5 | 32.000 | 12.655 | 6.388 | 8.908 | 32.382 | 18.559 | 29.952 |
| SRHG-130S-635A-O5 | 32.000 | | | | | | |
| SRHG-130S-685A-O5 | 32.000 | | | | | | |
| SRHG-130S-735A-O5 | 32.000 | | | | | | |
| SRHG-130S-535A-O6 | 32.000 | 16.933 | 8.173 | 10.791 | 23.618 | 12.137 | 17.286 |
| SRHG-130S-585A-O6 | 32.000 | 16.950 | 8.184 | 10.810 | 30.459 | 16.429 | 24.763 |
| SRHG-130S-635A-O6 | 32.000 | | | | | | |
| SRHG-130S-685A-O6 | 32.000 | | | | | | |
| SRHG-130S-735A-O6 | 32.000 | | | | | | |

OMAL涂装作业

重载执行器(OMAL标准)的涂装如图所示，完工后的产品可安装在外部环境，包括：化学设施、煤气管、炼化和离岸应用领域。我司亦提供客户定制涂装。

| 表面准备 | | SA 2.1/2等级喷砂 |
|---------------|--------|--------------|
| 涂刷 | 油漆类型 | 厚度 |
| 第一层 | 无机富锌底漆 | 75 μ |
| 中间层 | 环氧树脂 | 110 μ |
| 最末层 | 聚氨酯 | 40 μ |
| 整体厚度 | | 225 μ |
| 标准涂装：RAL 5010 | | |

中央阀体 - 可用配置

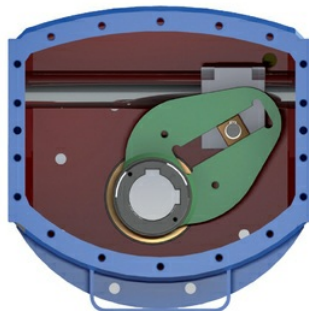
不对称设计

开启启动扭矩(BTO)极高，造成开启操作最终阶段 (ETO) 的输出扭矩骤降。闭合启动扭矩 (BTC) 低于开启启动扭矩 (BTO) 。

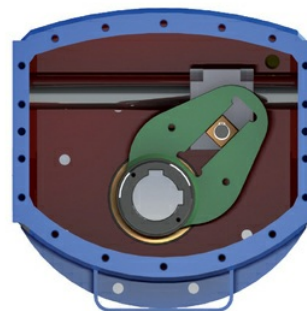
对称设计

扭矩期限更为均衡，BTO-ETO和BTC-ETC数值相近。

DESIGN ASIMMETRICO
CANTED DESIGN

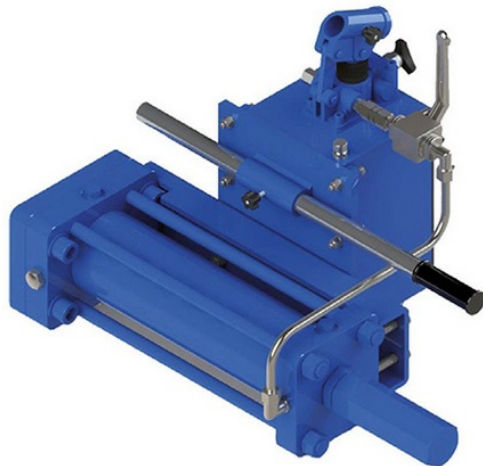


DESIGN SIMMETRICO
SYMMETRICAL DESIGN



泵
液压筒
油槽
止回阀
安全阀

液压紧急手动控制装置

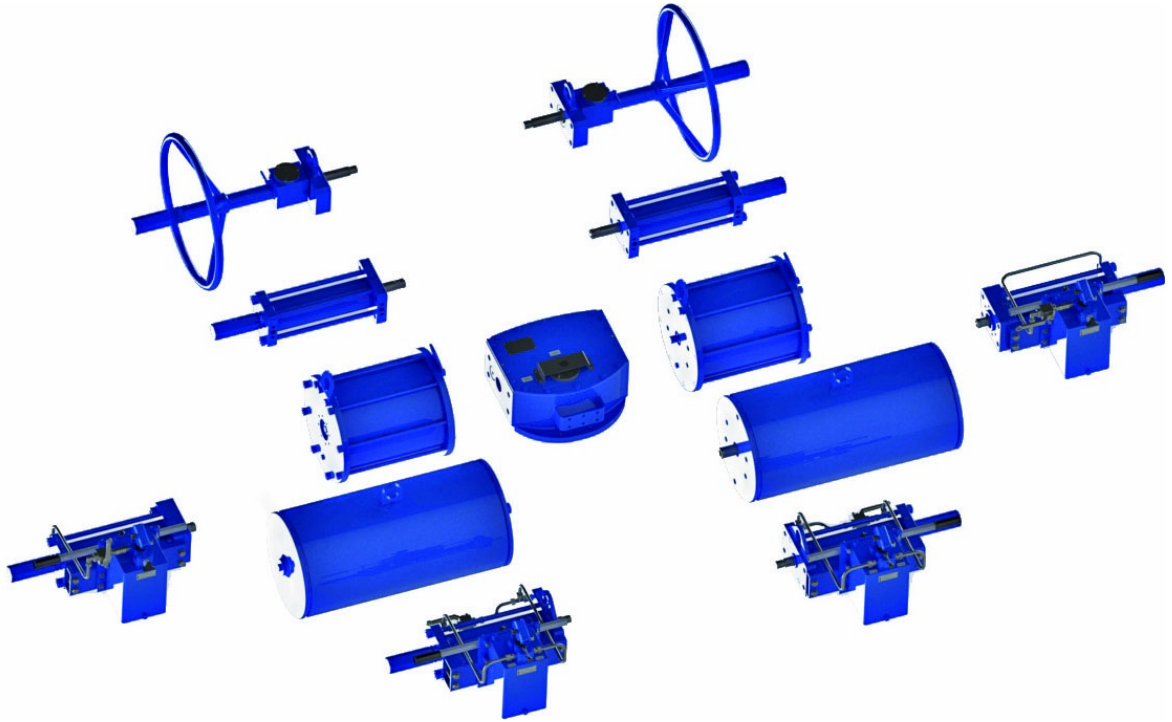


Per attuatore semplice effetto
For spring return actuator

连接器 - 接头



执行器的连接端设计符合最新的国际标准，方便其连接阀门和附件。OMAL通过组装套件、连接器和选装接头来完善自己的服务。



OMAL重载执行器的模块化设计可以赋予产品更完善的多用途应用。
此外，模块化构造还可以帮助用户按照应用领域的需求进行组件装配。



OMAL S.p.A. Società Benefit

总部地址：意大利共和国布雷西亚省 (BS) 罗登戈·萨伊亚诺 (Rodengo Saiano) , Via Ponte Nuovo大街11号

制造厂地址：意大利共和国布雷西亚省 (BS) 帕西拉诺 (Passirano) , Via Brognolo大街12号

电话.+39 0308900145 传真.+39 0308900423

Certificati

Type Approval Certificate for Marine and machinery systems and equipment

SIL IEC 61508 - Heavy Duty SRHG-DAHG

ATEX - Heavy Duty

Istruzioni

ISTRUZIONI ATEX 8_0483-02