

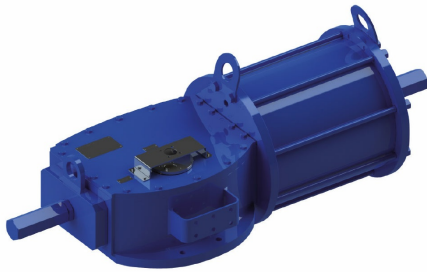
**Warning:** filectime(): stat failed for /var/www/vhost/www.omal.it/htdocs/https://www.omal.it./FilesProdotti/TAP00001G5-revision1.pdf in /var/www/vhost/www.omal.it/htdocs/prodotto-printable.php on line 65

**Warning:** filectime(): stat failed for /var/www/vhost/www.omal.it/htdocs/https://www.omal.it./FilesProdotti/Certificate-202053301-OMAL-AttuatoriSRHGDAHG.pdf in /var/www/vhost/www.omal.it/htdocs/prodotto-printable.php on line 65

**Warning:** filectime(): stat failed for /var/www/vhost/www.omal.it/htdocs/https://www.omal.it./FilesProdotti/80483-02HeavyDutyActuatorsATEXinstruction-IT-EN.pdf in /var/www/vhost/www.omal.it/htdocs/prodotto-printable.php on line 65

**Warning:** filectime(): stat failed for /var/www/vhost/www.omal.it/htdocs/https://www.omal.it./FilesProdotti/RICEVUTADEPOSITOF.T.ATEXN.HD-18.pdf in /var/www/vhost/www.omal.it/htdocs/prodotto-printable.php on line 65

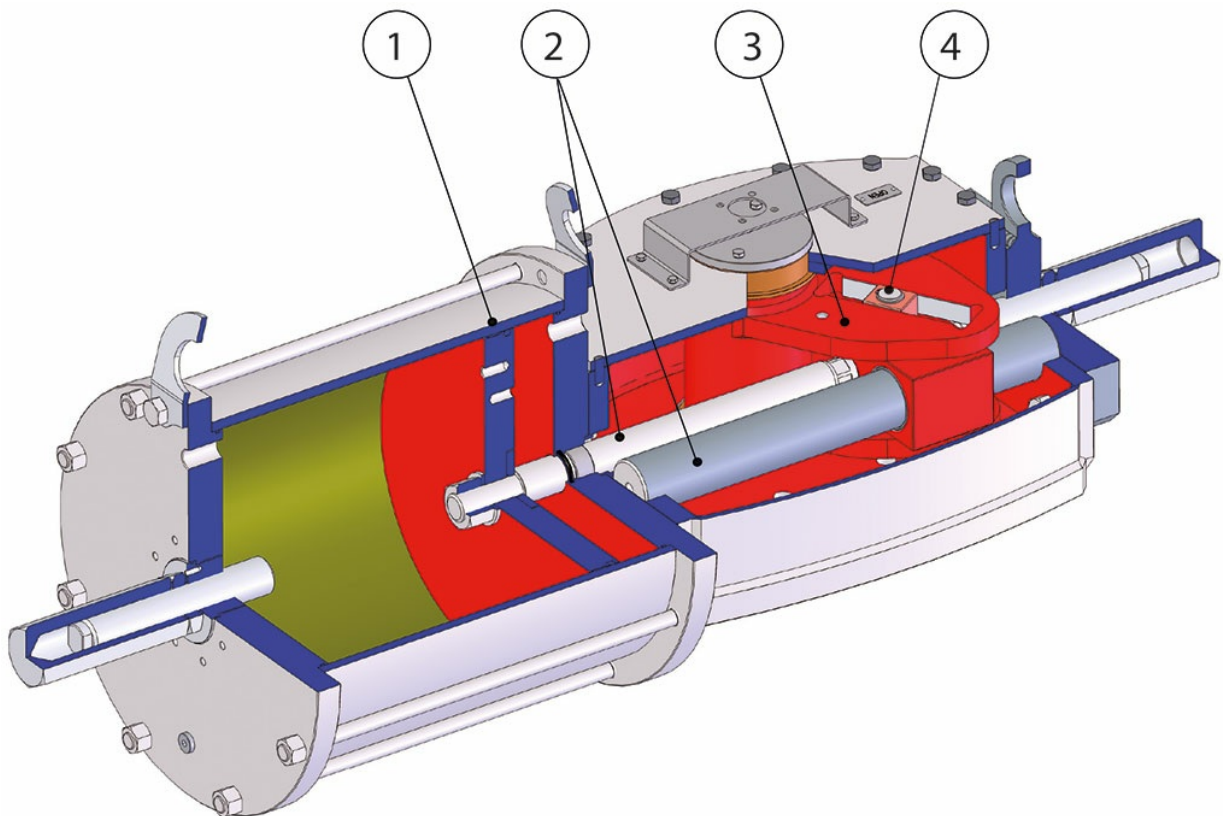
## “DA”双效重载碳钢气动执行器



宏 气动执行器

小类 Heavy Duty的碳钢执行器

优点



降低活塞与缸筒之间的摩擦力；  
即便长期停用，亦可避免密封件与缸筒发生粘连。  
减弱“粘滑” (stick-slip) 效应。

**2 传动轴和引导杆采用硬度超过200 HB的镀铬钢材制成**  
更强的耐腐蚀性能  
降低传动轴、引导杆和滑套之间的摩擦力，从而减少组件磨损

**3.与执行器控制流分离，将线性运动转换为旋转运动的动力转换系统。**  
可使用高科技气体驱动执行器  
避免爆炸环境

**4 滚动摩擦的十字滑块(通过无传动系统将线性运动转换为旋转运动)**  
活塞和传动轴之间的摩擦力更小，减少零部件磨损  
打开和关闭时有着更强的起动扭矩

**黄铜衬套**  
相较于其他材料的衬套，黄铜材料可以降低磨损

**ATEX Compliance**  
可安装于潜在易爆的环境内

**最高达SIL3等级的认证**  
更高的运行安全等级

#### 技术参数：

额定扭矩：2,000Nm至32,000Nm。

法兰标准：DIN/ISO 5211, DIN 3337。

Rotation angle: 100° (-5°, +95°)。

Double adjusting +5° and -5° for each end position (0° and 90°)。

供应压力：3bar至8.5bar (输出扭矩参见表格)。

双效型号的起动扭矩与执行器的供应压力成正比；

单效型号在返回时的起动扭矩 (执行器未供应时) 仅取决于弹簧的运动，与供应压力无关。

可用配置：双效，弹簧返回常闭(NC)，弹簧返回常开(NO)。

中央阀体配置：对称或非对称十字滑块

#### 运行条件：

温度范围：标准型号：-20°C~+80°C (密封件材质：NBR)。

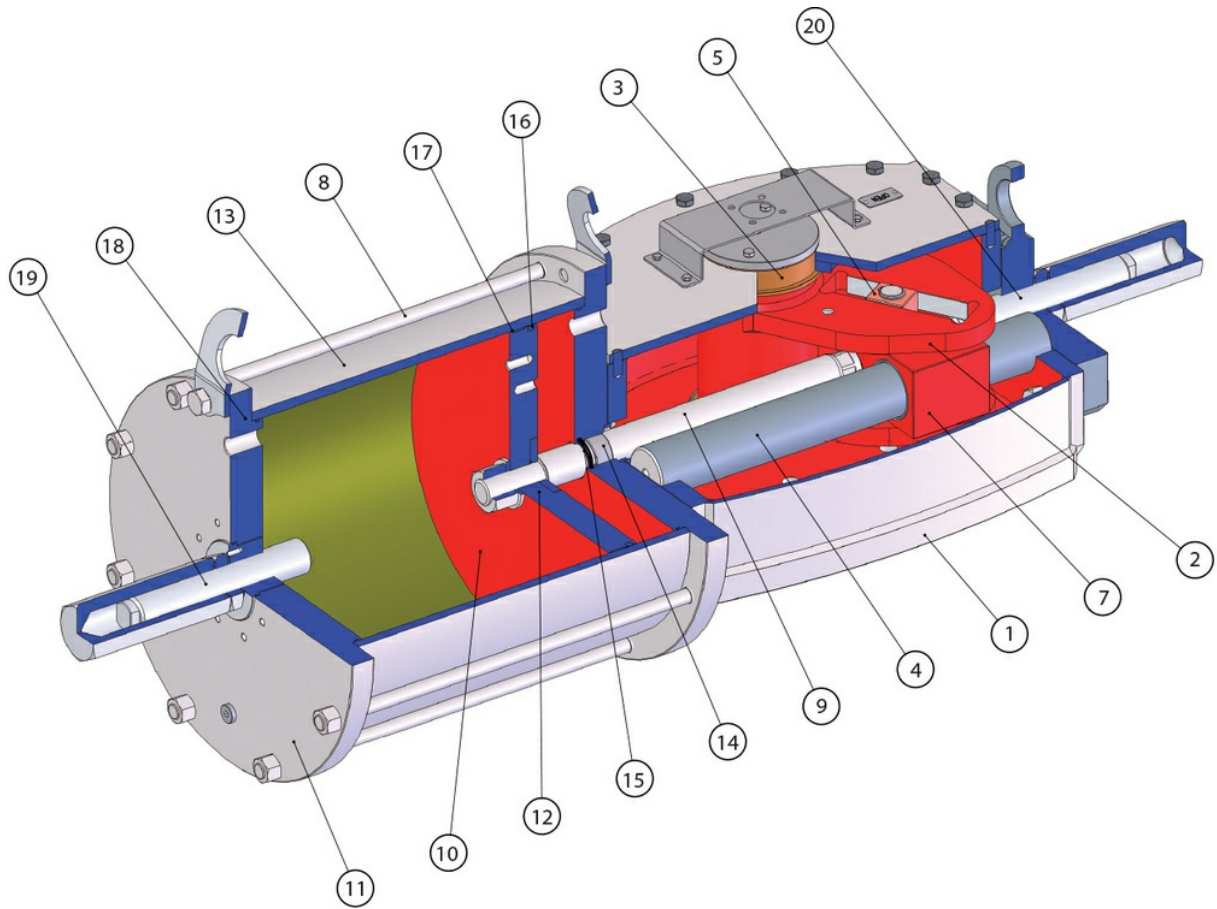
流体源：无需润滑且经过滤的压缩空气，惰性气体，高技术气体。

温度低于0°C时，请使用干燥空气。

需要使用润滑气体时，请使用与密封件材质相兼容的非清洁型油料。

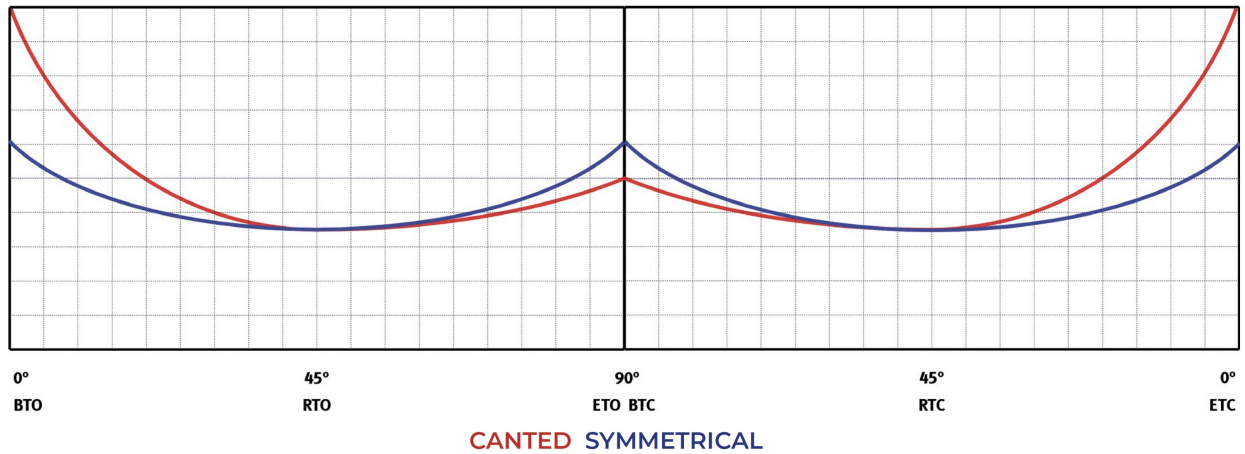
#### 设计准则：

满足EN 15714-3、ISO 5211、ISO 12490。



位置	介绍	材质
1	中央阀体	碳钢
2	十字滑块	碳钢
3	十字滑块衬套	青铜
4	引导杆	合金钢 (镀铬)
5	滑动轴承	青铜
6	抽气阀 (未绘出)	黄铜
7	导轨锁	碳钢
8	双头螺栓	合金钢
9	活塞杆	合金钢 (镀铬)
10	活塞	碳钢
11	法兰	碳钢
12	O 形圈	Nitrilic rubber
13	缸筒	碳钢 (镀镍)
14	活塞杆衬套	钢+青铜+PTFE
15	密封件	NBR+聚氨酯
16	O 形圈	Nitrilic rubber
17	滑动环	PTFE + 石墨
18	O 形圈	Nitrilic rubber
19	调整螺柱	合金钢
20	调整螺柱	合金钢

双效 - 扭矩图表 (起动扭矩)



型号	最大扭矩 Nm	3 非对称 输出扭矩 (Nm)					
		BTO	RTO	ETO	BTC	RTC	ETC
DAHG-085C-235A-D1	9.000	2.327	908	1.289	1.229	895	2.528
DAHG-085C-280A-D1	9.000	3.304	1.290	1.830	1.754	1.278	3.607
DAHG-085C-335A-D1	9.000	4.730	1.847	2.620	2.513	1.830	5.167
DAHG-085C-385A-D1	9.000	6.269	2.448	3.472	3.340	2.433	6.867
DAHG-085C-435A-D1	9.000	8.030	3.135	4.448	4.286	3.122	8.812
DAHG-100C-335A-D1	18.000	5.637	2.229	3.122	2.995	2.238	6.157
DAHG-100C-385A-D1	18.000	7.471	2.955	4.138	3.980	2.974	8.183
DAHG-100C-435A-D1	18.000	9.570	3.785	5.300	5.107	3.816	10.502
DAHG-100C-485A-D1	18.000	11.896	4.705	6.589	6.357	4.750	13.071
DAHG-100C-535A-D1	18.000	14.441	5.665	7.921	7.664	5.625	15.794
DAHG-130C-385A-D1	32.000	9.808	3.830	5.433	5.212	3.797	10.715
DAHG-130C-435A-D1	32.000	12.564	4.906	6.960	6.677	4.864	13.728
DAHG-130C-485A-D1	32.000	15.618	6.098	8.651	8.319	6.060	17.102
DAHG-130C-535A-D1	32.000	19.069	7.446	10.563	10.173	7.410	20.914
DAHG-130C-585A-D1	32.000	22.877	8.933	12.672	12.219	8.901	25.121
DAHG-130C-635A-D1	32.000	27.046	10.561	14.982	14.459	10.533	29.725

型号	最大扭矩 Nm	输出扭矩 (Nm)					
		BTO	RTO	ETO	BTC	RTC	ETC
DAHG-085S-235A-D1	9.000	1.482	920	1.620	1.457	906	1.593
DAHG-085S-280A-D1	9.000	2.104	1.306	2.300	2.079	1.293	2.273
DAHG-085S-335A-D1	9.000	3.012	1.870	3.293	2.979	1.852	3. 256
DAHG-085S-385A-D1	9.000	3.992	2.478	4.364	3.959	2.462	4.327
DAHG-085S-435A-D1	9.000	5.114	3.174	5.590	5.080	3.160	5.553
DAHG-100S-335A-D1	18.000	3.585	2.225	3.918	3.532	2.197	3.861
DAHG-100S-385A-D1	18.000	4.751	2.949	5.193	4.699	2.922	5.136
DAHG-100S-435A-D1	18.000	6.086	3.778	6.652	6.020	3.744	6.580
DAHG-100S-485A-D1	18.000	7.565	4.696	8.269	7.499	4.664	8.197
DAHG-100S-535A-D1	18.000	9.172	5.732	10.116	9.107	5.692	10.044
DAHG-100S-585A-D1	18.000	10.966	6.854	12.095	10.901	6.813	12.024
DAHG-130S-385A-D1	32.000	6.247	3.877	6.828	6.178	3.842	6.753
DAHG-130S-435A-D1	32.000	8.002	4.967	8.746	7.915	4.922	8.651
DAHG-130S-485A-D1	32.000	9.947	6.174	10.873	9.860	6.132	10.777
DAHG-130S-535A-D1	32.000	12.145	7.539	13.275	12.058	7.499	13.180
DAHG-130S-585A-D1	32.000	14.570	9.044	15.926	14.483	9.008	15.831
DAHG-130S-635A-D1	32.000	17.225	10.692	18.828	17.138	10.659	18.733

型号	最大扭矩 Nm	输出扭矩 (Nm)					
		BTO	RTO	ETO	BTC	RTC	ETC
DAHG-085C-235A-D1	9.000	2.725	1.064	1.509	1.439	1.048	2.960
DAHG-085C-280A-D1	9.000	3.868	1.510	2.143	2.054	1.496	4.223
DAHG-085C-335A-D1	9.000	5.537	2.162	3.067	2.942	2.143	6.049
DAHG-085C-385A-D1	9.000	7.335	2.864	4.063	3.908	2.847	8.035
DAHG-085C-435A-D1	9.000						
DAHG-100C-335A-D1	18.000	6.589	2.573	3.650	3.489	2.541	7.173
DAHG-100C-385A-D1	18.000	8.729	3.408	4.835	4.638	3.379	9.536
DAHG-100C-435A-D1	18.000	11.176	4.364	6.190	5.940	4.327	12.211
DAHG-100C-485A-D1	18.000	13.879	5.489	7.687	7.417	5.542	15.250
DAHG-100C-535A-D1	18.000						
DAHG-130C-385A-D1	32.000	11.476	4.481	6.357	6.099	4.443	12.538
DAHG-130C-435A-D1	32.000	14.694	5.737	8.139	7.809	5.689	16.055
DAHG-130C-485A-D1	32.000	18.266	7.132	10.118	9.729	7.087	20.001
DAHG-130C-535A-D1	32.000	22.290	8.704	12.347	11.891	8.662	24.447
DAHG-130C-585A-D1	32.000	26.729	10.437	14.806	14.276	10.400	29.350
DAHG-130C-635A-D1	32.000						

型号	最大扭矩 Nm	3,5 非对称 输出扭矩 (Nm)					
		BTO	RTO	ETO	BTC	RTC	ETC
DAHG-085S-235A-D1	9.000	1.735	1.077	1.897	1.706	1.061	1.865
DAHG-085S-280A-D1	9.000	2.463	1.529	2.693	2.435	1.514	2.661
DAHG-085S-335A-D1	9.000	3.526	2.189	3.855	3.487	2.169	3.812
DAHG-085S-385A-D1	9.000	4.671	2.900	5.106	4.632	2.881	5.063
DAHG-085S-435A-D1	9.000	5.981	3.712	6.538	5.942	3.695	6.495
DAHG-100S-335A-D1	18.000	4.196	2.605	4.587	4.135	2.572	4.520
DAHG-100S-385A-D1	18.000	5.559	3.451	6.076	5.498	3.419	6.010
DAHG-100S-435A-D1	18.000	7.117	4.418	7.780	7.040	4.379	7.695
DAHG-100S-485A-D1	18.000	8.848	5.492	9.671	8.770	5.455	9.587
DAHG-100S-535A-D1	18.000	10.700	6.688	11.802	10.625	6.641	11.718
DAHG-100S-585A-D1	18.000	12.794	7.996	14.111	12.718	7.949	14.027
DAHG-130S-385A-D1	32.000	7.309	4.537	7.989	7.229	4.496	7.901
DAHG-130S-435A-D1	32.000	9.358	5.809	10.229	9.256	5.757	10.118
DAHG-130S-485A-D1	32.000	11.633	7.221	12.716	11.531	7.172	12.604
DAHG-130S-535A-D1	32.000	14.196	8.812	15.517	14.095	8.766	15.406
DAHG-130S-585A-D1	32.000	17.023	10.567	18.607	16.921	10.524	18.496
DAHG-130S-635A-D1	32.000	20.115	12.486	21.987	20.013	12.448	21.876

型号	最大扭矩 Nm	输出扭矩 (Nm)					
		BTO	RTO	ETO	BTC	RTC	ETC
DAHG-085C-235A-D1	9.000	3.122	1.219	1.729	1.649	1.201	3.391
DAHG-085C-280A-D1	9.000	4.432	1.730	2.455	2.353	1.714	4.839
DAHG-085C-335A-D1	9.000	6.345	2.477	3.514	3.371	2.456	6.931
DAHG-085C-385A-D1	9.000						
DAHG-085C-435A-D1	9.000						
DAHG-100C-335A-D1	18.000	7.561	2.990	4.188	4.017	3.001	8.259
DAHG-100C-385A-D1	18.000	10.012	3.959	5.545	5.334	3.985	10.967
DAHG-100C-435A-D1	18.000	12.813	5.068	7.097	6.839	5.110	14.062
DAHG-100C-485A-D1	18.000	15.928	6.299	8.822	8.512	6.360	17.503
DAHG-100C-535A-D1	18.000						
DAHG-130C-385A-D1	32.000	13.145	5.132	7.281	6.985	5.089	14.361
DAHG-130C-435A-D1	32.000	16.823	6.569	9.319	8.941	6.513	18.383
DAHG-130C-485A-D1	32.000	20.913	8.166	11.584	11.139	8.114	22.900
DAHG-130C-535A-D1	32.000	25.512	9.962	14.132	13.610	9.914	27.980
DAHG-130C-585A-D1	32.000						
DAHG-130C-635A-D1	32.000						

型号	最大扭矩 Nm	4 BAR 对称 输出扭矩 (Nm)					
		BTO	RTO	ETO	BTC	RTC	ETC
DAHG-085S-235A-D1	9.000	1.988	1.234	2.173	1.955	1.216	2.137
DAHG-085S-280A-D1	9.000	2.823	1.752	3.085	2.790	1.735	3.049
DAHG-085S-335A-D1	9.000	4.041	2.508	4.417	3.996	2.485	4.368
DAHG-085S-385A-D1	9.000	5.350	3.321	5.848	5.305	3.300	5.799
DAHG-085S-435A-D1	9.000	6.848	4.251	7.485	6.803	4.231	7.436
DAHG-100S-335A-D1	18.000	4.808	2.985	5.256	4.739	2.947	5.180
DAHG-100S-385A-D1	18.000	6.367	3.952	6.960	6.297	3.917	6.883
DAHG-100S-435A-D1	18.000	8.149	5.058	8.907	8.061	5.013	8.811
DAHG-100S-485A-D1	18.000	10.130	6.288	11.073	10.042	6.246	10.976
DAHG-100S-535A-D1	18.000	12.229	7.643	13.488	12.143	7.589	13.392
DAHG-100S-585A-D1	18.000	14.622	9.139	16.127	14.535	9.085	16.031
DAHG-130S-385A-D1	32.000	8.371	5.196	9.150	8.280	5.150	9.050
DAHG-130S-435A-D1	32.000	10.714	6.651	11.711	10.598	6.592	11.584
DAHG-130S-485A-D1	32.000	13.319	8.268	14.558	13.203	8.212	14.431
DAHG-130S-535A-D1	32.000	16.248	10.086	17.760	16.132	10.033	17.633
DAHG-130S-585A-D1	32.000	19.476	12.089	21.288	19.360	12.041	21.161
DAHG-130S-635A-D1	32.000	23.005	14.280	25.146	22.889	14.236	25.019



型号	最大扭矩 Nm	输出扭矩 (Nm)					
		BTO	RTO	ETO	BTC	RTC	ETC
DAHG-085C-235A-D1	9.000	3.553	1.394	1.949	1.857	1.363	3.826
DAHG-085C-280A-D1	9.000	5.044	1.978	2.766	2.653	1.947	5.468
DAHG-085C-335A-D1	9.000	7.220	2.832	3.960	3.816	2.801	7.865
DAHG-085C-385A-D1	9.000						
DAHG-085C-435A-D1	9.000						
DAHG-100C-335A-D1	18.000	8.493	3.332	4.659	4.490	3.295	9.253
DAHG-100C-385A-D1	18.000	11.218	4.400	6.153	5.946	4.364	12.254
DAHG-100C-435A-D1	18.000	14.321	5.618	7.855	7.572	5.557	15.605
DAHG-100C-485A-D1	18.000						
DAHG-100C-535A-D1	18.000						
DAHG-130C-385A-D1	32.000	14.833	5.792	8.216	7.883	5.742	16.206
DAHG-130C-435A-D1	32.000	18.974	7.409	10.510	10.085	7.347	20.733
DAHG-130C-485A-D1	32.000	23.586	9.210	13.065	12.563	9.152	25.829
DAHG-130C-535A-D1	32.000	28.701	11.207	15.899	15.311	11.153	31.478
DAHG-130C-585A-D1	32.000						
DAHG-130C-635A-D1	32.000						

型号	最大扭矩 Nm	4,5 BAR 对称 输出扭矩 (Nm)					
		BTO	RTO	ETO	BTC	RTC	ETC
DAHG-085S-235A-D1	9.000	2.256	1.410	2.489	2.206	1.379	2.433
DAHG-085S-280A-D1	9.000	3.203	2.002	3.533	3.153	1.971	3.478
DAHG-085S-335A-D1	9.000	4.585	2.866	5.057	4.535	2.834	5.002
DAHG-085S-385A-D1	9.000	6.056	3.785	6.679	6.006	3.754	6.624
DAHG-085S-435A-D1	9.000	7.731	4.832	8.527	7.681	4.801	8.472
DAHG-100S-335A-D1	18.000	5.394	3.371	5.949	5.335	3.335	5.885
DAHG-100S-385A-D1	18.000	7.125	4.453	7.858	7.066	4.416	7.793
DAHG-100S-435A-D1	18.000	9.095	5.685	10.032	8.998	5.624	9.924
DAHG-100S-485A-D1	18.000	11.306	7.067	12.470	11.209	7.006	12.363
DAHG-100S-535A-D1	18.000	13.758	8.599	15.174	13.660	8.538	15.067
DAHG-100S-585A-D1	18.000						
DAHG-130S-385A-D1	32.000	9.446	5.864	10.326	9.344	5.811	10.213
DAHG-130S-435A-D1	32.000	12.084	7.501	13.208	11.954	7.435	13.066
DAHG-130S-485A-D1	32.000	15.022	9.325	16.420	14.891	9.262	16.277
DAHG-130S-535A-D1	32.000	18.316	11.370	20.021	18.185	11.310	19.877
DAHG-130S-585A-D1	32.000	21.944	13.622	23.986	21.813	13.567	23.843
DAHG-130S-635A-D1	32.000	25.907	16.081	28.318	25.776	16.032	28.175

型号	最大扭矩 Nm	输出扭 (Nm)					
		BTO	RTO	ETO	BTC	RTC	ETC
DAHG-085C-235A-D1	9.000	3.916	1.529	2.169	2.069	1.507	4.255
DAHG-085C-280A-D1	9.000	5.560	2.171	3.080	2.953	2.151	6.070
DAHG-085C-335A-D1	9.000	7.959	3.108	4.409	4.229	3.081	8.695
DAHG-085C-385A-D1	9.000						
DAHG-085C-435A-D1	9.000						
DAHG-100C-335A-D1	18.000	9.471	3.698	5.246	5.015	3.653	10.311
DAHG-100C-385A-D1	18.000	12.535	4.894	6.943	6.662	4.853	13.696
DAHG-100C-435A-D1	18.000	15.994	6.245	8.860	8.501	6.193	17.476
DAHG-100C-485A-D1	18.000						
DAHG-100C-535A-D1	18.000						
DAHG-130C-385A-D1	32.000	16.481	6.435	9.129	8.759	6.380	18.007
DAHG-130C-435A-D1	32.000	21.082	8.232	11.678	11.205	8.163	23.037
DAHG-130C-485A-D1	32.000	26.207	10.233	14.517	13.959	10.169	28.699
DAHG-130C-535A-D1	32.000						
DAHG-130C-585A-D1	32.000						
DAHG-130C-635A-D1	32.000						

型号	最大扭矩 Nm	5 BAR 对称 输出扭矩 (Nm)					
		BTO	RTO	ETO	BTC	RTC	ETC
DAHG-085S-235A-D1	9.000	2.494	1.548	2.726	2.453	1.525	2.681
DAHG-085S-280A-D1	9.000	3.541	2.198	3.870	3.500	2.177	3.825
DAHG-085S-335A-D1	9.000	5.069	3.146	5.541	5.013	3.118	5.479
DAHG-085S-385A-D1	9.000	6.708	4.164	7.333	6.652	4.137	7.271
DAHG-085S-435A-D1	9.000						
DAHG-100S-335A-D1	18.000	6.032	3.744	6.593	5.945	3.697	6.498
DAHG-100S-385A-D1	18.000	7.983	4.955	8.726	7.896	4.911	8.631
DAHG-100S-435A-D1	18.000	10.212	6.339	11.163	10.102	6.283	11.042
DAHG-100S-485A-D1	18.000	12.695	7.880	13.876	12.584	7.827	13.756
DAHG-100S-535A-D1	18.000	15.286	9.554	16.860	15.178	9.486	16.741
DAHG-100S-585A-D1	18.000						
DAHG-130S-385A-D1	32.000	10.496	6.515	11.473	10.382	6.457	11.348
DAHG-130S-435A-D1	32.000	13.427	8.334	14.676	13.282	8.261	14.518
DAHG-130S-485A-D1	32.000	16.691	10.361	18.244	16.546	10.291	18.086
DAHG-130S-535A-D1	32.000	20.351	12.633	22.245	20.206	12.567	22.086
DAHG-130S-585A-D1	32.000	24.382	15.135	26.651	24.237	15.074	26.492
DAHG-130S-635A-D1	32.000	28.785	17.868	31.464	28.640	17.813	31.306

型号	最大扭矩 Nm	输出扭矩 (Nm)					
		BTO	RTO	ETO	BTC	RTC	ETC
DAHG-085C-235A-D1	9.000	4.342	1.703	2.382	2.269	1.665	4.677
DAHG-085C-280A-D1	9.000	6.164	2.418	3.381	3.243	2.380	6.684
DAHG-085C-335A-D1	9.000						
DAHG-085C-385A-D1	9.000						
DAHG-085C-435A-D1	9.000						
DAHG-100C-335A-D1	18.000	10.381	4.072	5.694	5.487	4.028	11.309
DAHG-100C-385A-D1	18.000	13.711	5.378	7.521	7.267	5.334	14.977
DAHG-100C-435A-D1	18.000						
DAHG-100C-485A-D1	18.000						
DAHG-100C-535A-D1	18.000						
DAHG-130C-385A-D1	32.000	18.149	7.087	10.053	9.645	7.026	19.830
DAHG-130C-435A-D1	32.000	23.212	9.063	12.858	12.337	8.987	25.364
DAHG-130C-485A-D1	32.000	28.855	11.267	15.984	15.370	11.196	31.598
DAHG-130C-535A-D1	32.000						
DAHG-130C-585A-D1	32.000						
DAHG-130C-635A-D1	32.000						

型号	最大扭矩 Nm	5,5 BAR 对称输出扭矩(Nm)					
		BTO	RTO	ETO	BTC	RTC	ETC
DAHG-085S-235A-D1	9.000	2.747	1.705	3.003	2.702	1.680	2.953
DAHG-085S-280A-D1	9.000	3.900	2.421	4.263	3.855	2.397	4.213
DAHG-085S-335A-D1	9.000	5.583	3.465	6.102	5.521	3.434	6.035
DAHG-085S-385A-D1	9.000	7.388	4.586	8.075	7.326	4.556	8.008
DAHG-085S-435A-D1	9.000						
DAHG-100S-335A-D1	18.000	6.644	4.124	7.262	6.548	4.072	7.157
DAHG-100S-385A-D1	18.000	8.791	5.457	9.609	8.695	5.408	9.505
DAHG-100S-435A-D1	18.000	11.244	6.979	12.290	11.122	6.918	12.157
DAHG-100S-485A-D1	18.000						
DAHG-100S-535A-D1	18.000						
DAHG-100S-585A-D1	18.000						
DAHG-130S-385A-D1	32.000	11.559	7.175	12.634	11.432	7.111	12.496
DAHG-130S-435A-D1	32.000	14.783	9.176	16.159	14.623	9.095	15.984
DAHG-130S-485A-D1	32.000	18.377	11.407	20.087	18.217	11.330	19.913
DAHG-130S-535A-D1	32.000	22.402	13.906	24.487	22.243	13.834	24.313
DAHG-130S-585A-D1	32.000	26.835	16.657	29.332	26.675	16.591	29.157
DAHG-130S-635A-D1	32.000						

型号	最大扭矩 Nm	输出扭矩 (Nm)					
		BTO	RTO	ETO	BTC	RTC	ETC
DAHG-085C-235A-D1	9.000	4.711	1.839	2.609	2.489	1.813	5.118
DAHG-085C-280A-D1	9.000	6.688	2.611	3.704	3.552	2.587	7.302
DAHG-085C-335A-D1	9.000						
DAHG-085C-385A-D1	9.000						
DAHG-085C-435A-D1	9.000						
DAHG-100C-335A-D1	18.000	11.393	4.448	6.311	6.033	4.395	12.403
DAHG-100C-385A-D1	18.000	15.042	5.873	8.332	7.994	5.824	16.435
DAHG-100C-435A-D1	18.000						
DAHG-100C-485A-D1	18.000						
DAHG-100C-535A-D1	18.000						
DAHG-130C-385A-D1	32.000	19.817	7.738	10.977	10.532	7.672	21.653
DAHG-130C-435A-D1	32.000	25.341	9.895	14.038	13.470	9.812	27.692
DAHG-130C-485A-D1	32.000						
DAHG-130C-535A-D1	32.000						
DAHG-130C-585A-D1	32.000						
DAHG-130C-635A-D1	32.000						

型号	最大扭矩 Nm	6 BAR 对称 输出扭矩 (Nm)					
		BTO	RTO	ETO	BTC	RTC	ETC
DAHG-085S-235A-D1	9.000	3.000	1.862	3.279	2.951	1.835	3.225
DAHG-085S-280A-D1	9.000	4.259	2.644	4.656	4.210	2.618	4.602
DAHG-085S-335A-D1	9.000	6.097	3.785	6.664	6.030	3.750	6.591
DAHG-085S-385A-D1	9.000						
DAHG-085S-435A-D1	9.000						
DAHG-100S-335A-D1	18.000	7.256	4.504	7.931	7.151	4.447	7.816
DAHG-100S-385A-D1	18.000	9.599	5.959	10.493	9.495	5.905	10.378
DAHG-100S-435A-D1	18.000	12.275	7.620	13.418	12.143	7.552	13.273
DAHG-100S-485A-D1	18.000						
DAHG-100S-535A-D1	18.000						
DAHG-100S-585A-D1	18.000						
DAHG-130S-385A-D1	32.000	12.621	7.834	13.796	12.483	7.764	13.645
DAHG-130S-435A-D1	32.000	16.139	10.018	17.641	15.965	9.930	17.451
DAHG-130S-485A-D1	32.000	20.063	12.454	21.930	19.889	12.370	21.740
DAHG-130S-535A-D1	32.000	24.454	15.180	26.730	24.280	15.101	26.539
DAHG-130S-585A-D1	32.000	29.288	18.180	32.013	29.113	18.108	31.823
DAHG-130S-635A-D1	32.000						

型号	最大扭矩 Nm	输出扭矩 (Nm)					
		BTO	RTO	ETO	BTC	RTC	ETC
DAHG-085C-235A-D1	9.000	5.505	2.149	3.049	2.909	2.119	5.981
DAHG-085C-280A-D1	9.000	7.816	3.052	4.329	4.151	3.024	8.534
DAHG-085C-335A-D1	9.000						
DAHG-085C-385A-D1	9.000						
DAHG-085C-435A-D1	9.000						
DAHG-100C-335A-D1	18.000	13.333	5.273	7.384	7.084	5.293	14.566
DAHG-100C-385A-D1	18.000						
DAHG-100C-435A-D1	18.000						
DAHG-100C-485A-D1	18.000						
DAHG-100C-535A-D1	18.000						
DAHG-130C-385A-D1	32.000	23.154	9.041	12.826	12.305	8.964	25.298
DAHG-130C-435A-D1	32.000	29.601	11.558	16.397	15.734	11.461	32.346
DAHG-130C-485A-D1	32.000						
DAHG-130C-535A-D1	32.000						
DAHG-130C-585A-D1	32.000						
DAHG-130C-635A-D1	32.000						

型号	最大扭矩 Nm	7 BAR 对称 输出扭矩 (Nm)					
		BTO	RTO	ETO	BTC	RTC	ETC
DAHG-085S-235A-D1	9.000	3.506	2.176	3.832	3.448	2.145	3.769
DAHG-085S-280A-D1	9.000	4.978	3.090	5.441	4.920	3.060	5.378
DAHG-085S-335A-D1	9.000	7.125	4.423	7.788	7.047	4.383	7.703
DAHG-085S-385A-D1	9.000						
DAHG-085S-435A-D1	9.000						
DAHG-100S-335A-D1	18.000	8.479	5.263	9.268	8.357	5.198	9.135
DAHG-100S-385A-D1	18.000	11.215	6.962	12.259	11.093	6.900	12.126
DAHG-100S-435A-D1	18.000	14.148	8.843	15.605	13.997	8.748	15.438
DAHG-100S-485A-D1	18.000						
DAHG-100S-535A-D1	18.000						
DAHG-100S-585A-D1	18.000						
DAHG-130S-385A-D1	32.000	14.746	9.153	16.118	14.585	9.072	15.943
DAHG-130S-435A-D1	32.000	18.852	11.702	20.606	18.649	11.599	20.384
DAHG-130S-485A-D1	32.000	23.435	14.547	25.616	23.232	14.449	25.394
DAHG-130S-535A-D1	32.000	28.557	17.727	31.215	28.354	17.635	30.993
DAHG-130S-585A-D1	32.000						
DAHG-130S-635A-D1	32.000						

型号	最大扭矩 Nm	输出扭矩 (Nm)					
		BTO	RTO	ETO	BTC	RTC	ETC
DAHG-085C-235A-D1	9.000	6.697	2.615	3.710	3.539	2.578	7.276
DAHG-085C-280A-D1	9.000						
DAHG-085C-335A-D1	9.000						
DAHG-085C-385A-D1	9.000						
DAHG-085C-435A-D1	9.000						
DAHG-100C-335A-D1	18.000	16.190	6.403	8.966	8.602	6.427	17.687
DAHG-100C-385A-D1	18.000						
DAHG-100C-435A-D1	18.000						
DAHG-100C-485A-D1	18.000						
DAHG-100C-535A-D1	18.000						
DAHG-130C-385A-D1	32.000	28.158	10.995	15.598	14.965	10.902	30.767
DAHG-130C-435A-D1	32.000						
DAHG-130C-485A-D1	32.000						
DAHG-130C-535A-D1	32.000						
DAHG-130C-585A-D1	32.000						
DAHG-130C-635A-D1	32.000						

型号	最大扭矩 Nm	8,5 BAR 非对称 输出扭矩 (Nm)					
		BTO	RTO	ETO	BTC	RTC	ETC
DAHG-085S-235A-D1	9.000	4.265	2.647	4.662	4.195	2.609	4.585
DAHG-085S-280A-D1	9.000	6.055	3.758	6.619	5.985	3.722	6.542
DAHG-085S-335A-D1	9.000						
DAHG-085S-385A-D1	9.000						
DAHG-085S-435A-D1	9.000						
DAHG-100S-335A-D1	18.000	10.315	6.403	11.274	10.166	6.323	11.112
DAHG-100S-385A-D1	18.000	13.458	8.411	14.843	13.346	8.342	14.720
DAHG-100S-435A-D1	18.000						
DAHG-100S-485A-D1	18.000						
DAHG-100S-535A-D1	18.000						
DAHG-100S-585A-D1	18.000						
DAHG-130S-385A-D1	32.000	17.933	11.132	19.602	17.738	11.033	19.389
DAHG-130S-435A-D1	32.000	22.921	14.228	25.054	22.674	14.103	24.784
DAHG-130S-485A-D1	32.000	28.493	17.687	31.145	28.246	17.568	30.875
DAHG-130S-535A-D1	32.000						
DAHG-130S-585A-D1	32.000						
DAHG-130S-635A-D1	32.000						

**OMAL涂装作业**

重载执行器(OMAL标准)的涂装如图所示，完工后的产品可安装在外部环境，包括：化学设施、煤气管、炼化工厂和离岸应用领域。我司亦提供客户定制涂装。

表面准备		SA 2.1/2等级喷砂
涂刷	油漆类型	厚度
第一层	无机富锌底漆	75 μ
中间层	环氧树脂	110 μ
最末层	聚氨酯	40 μ
整体厚度		225 μ
标准涂装：RAL 5010		

**中央阀体 - 可用配置**

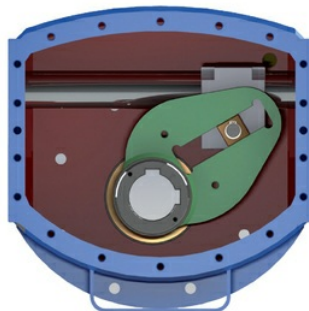
**不对称设计**

开启启动扭矩(BTO)极高，造成开启操作最终阶段 (ETO) 的输出扭矩骤降。闭合启动扭矩 (BTC) 低于开启启动扭矩 (BTO) 。

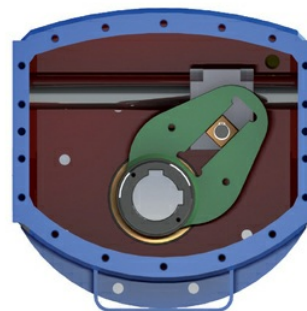
**对称设计**

扭矩期限更为均衡，BTO-ETO和BTC-ETC数值相近。

DESIGN ASIMMETRICO  
CANTED DESIGN



DESIGN SIMMETRICO  
SYMMETRICAL DESIGN



泵  
液压筒  
油槽  
止回阀  
安全阀

### 液压紧急手动控制装置

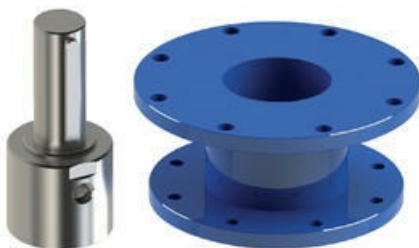


Per attuatore doppio effetto  
For double acting actuator

### 用于双效执行器的可拆卸式紧急手动控制装置 (仅针对配备085阀体的型号)

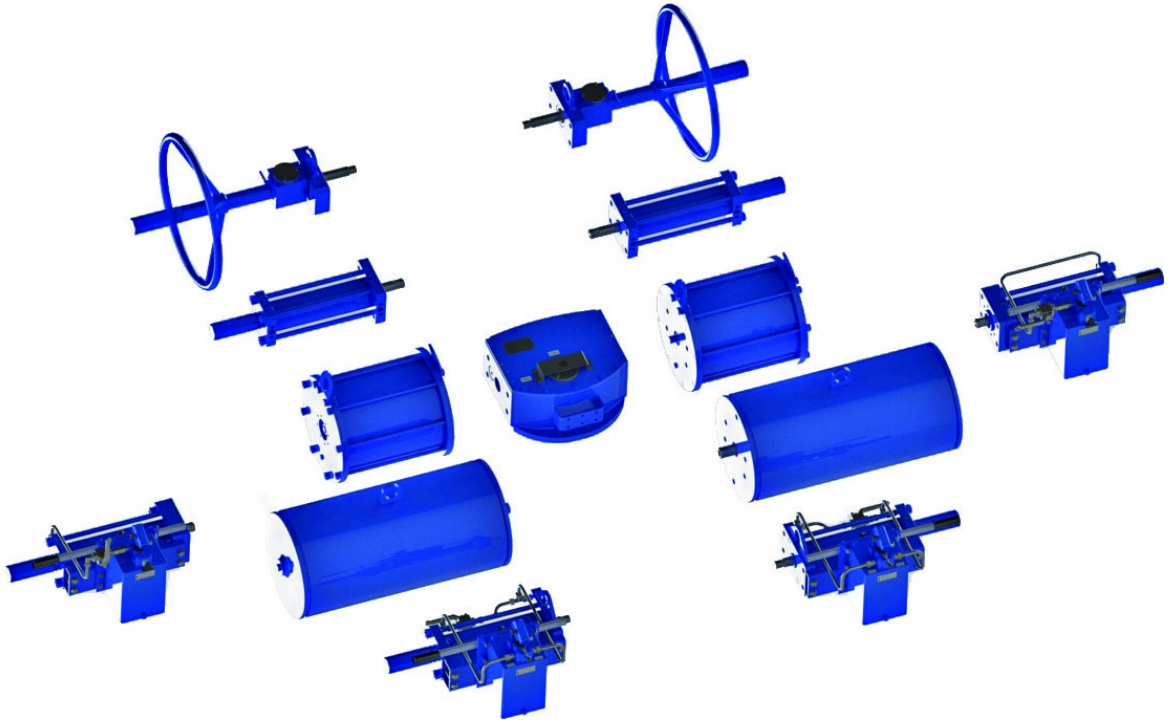


### 连接器 - 接头



执行器的连接端设计符合最新的国际标准，方便其连接阀门和附件。OMAL通过组装套件、连接器和选装接头来完善自己的服务。





OMAL重载执行器的模块化设计可以赋予产品更完善的多用途应用。  
此外，模块化构造还可以帮助用户按照应用领域的需求进行组件装配。



OMAL S.p.A. Società Benefit

总部地址：意大利共和国布雷西亚省 (BS) 罗登戈.萨伊亚诺 (Rodengo Saiano) , Via Ponte Nuovo大街11号

制造厂地址：意大利共和国布雷西亚省 (BS) 帕西拉诺 (Passirano) , Via Brognolo大街12号

电话.+39 0308900145 传真.+39 0308900423

## Certificati

Type Approval Certificate for Marine and machinery systems and equipment

SIL IEC 61508 - Heavy Duty SRHG-DAHG

ATEX - Heavy Duty

## Istruzioni

ISTRUZIONI ATEX 8\_0483-02